



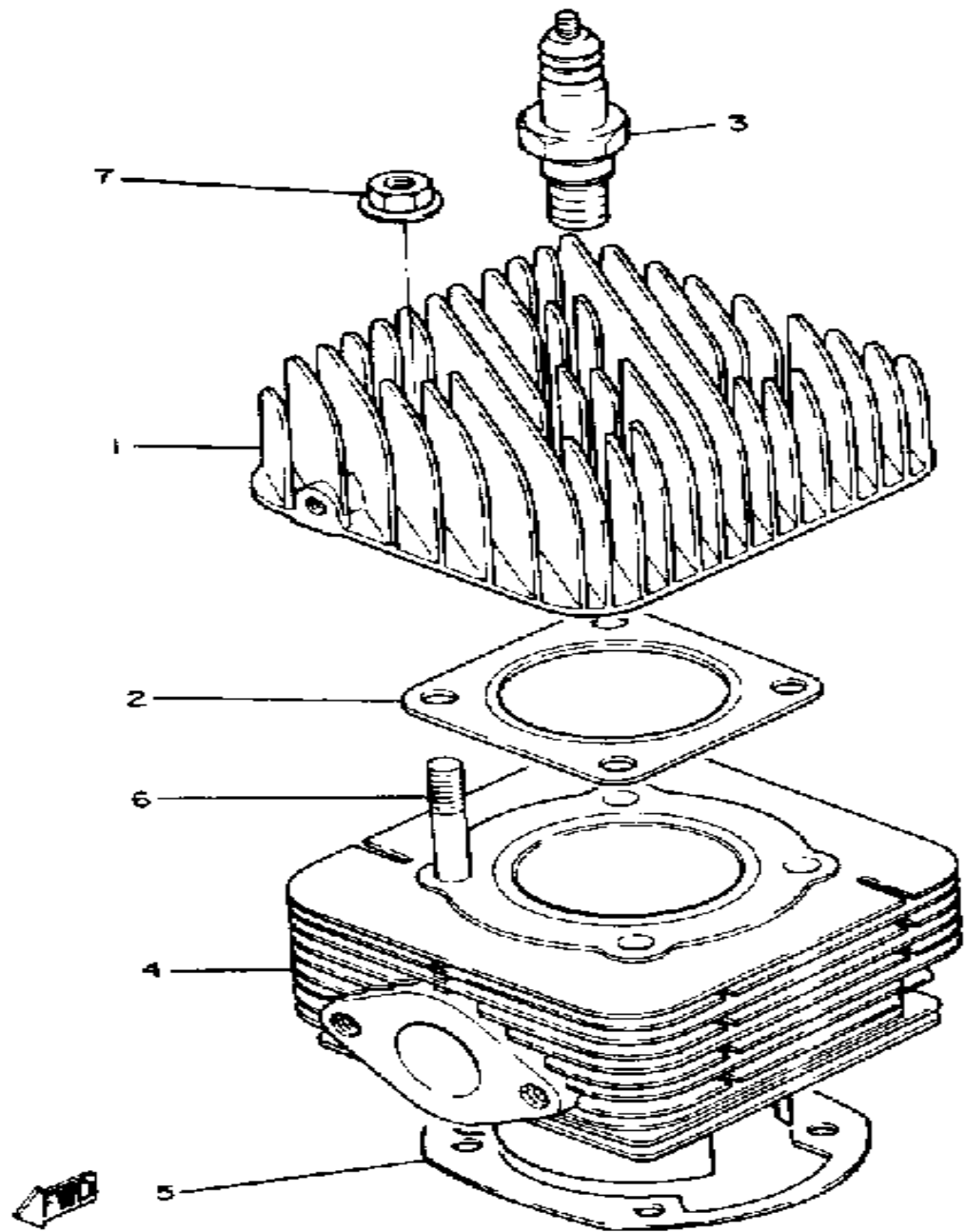
YAMAHA

GENUINE

PARTS CATALOGUE

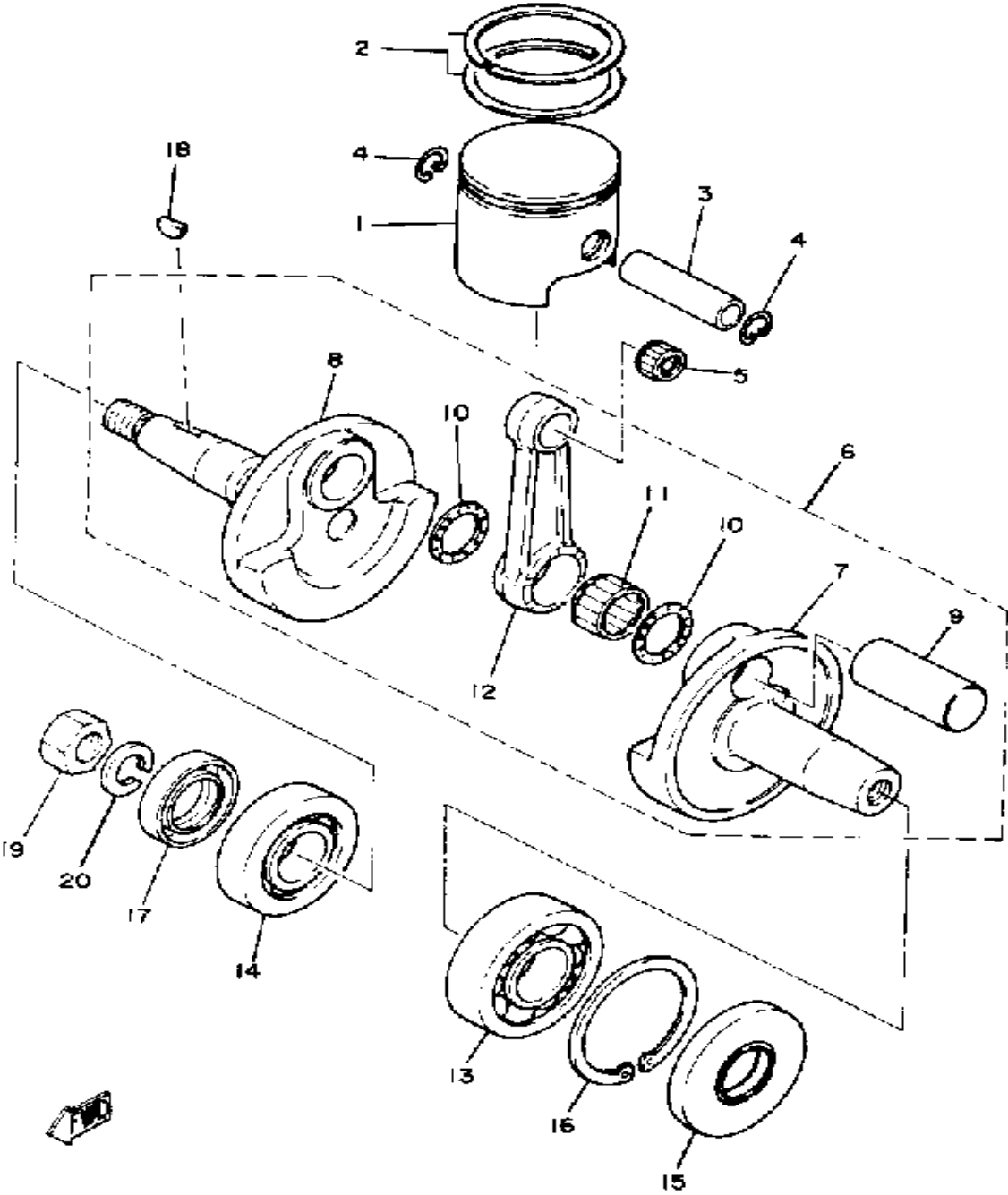
GOLF CAR

CYLINDER HEAD-CYLINDER



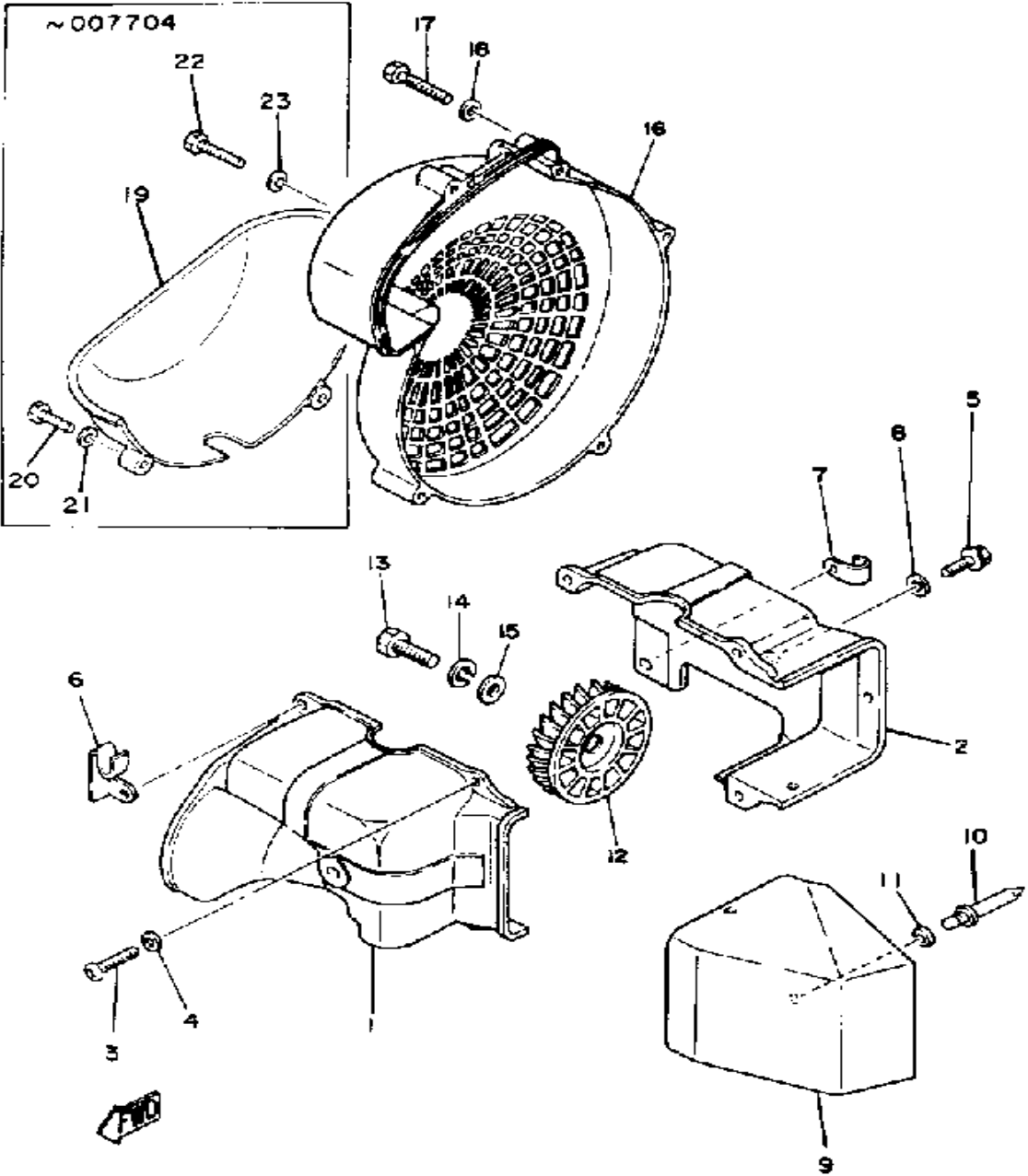
Ref. No.	Part Number	Description	Qty	Remarks
1	J10-11111-00-00	HEAD, CYLINDER 1	1	
2	J10-11181-00-00	GASKET, CYLINDER HEAD 1 .	1	
3	NGK-BP5HS-00-00	NGK BP5HS 10PK	1	LM
4	J10-11311-00-00	CYLINDER 1	1	
5	881-11351-01-00	GASKET, CYLINDER	1	
6	90116-08254-00	BOLT, STUD	4	
7	90179-08270-00	NUT	4	
	95701-08500-00	NUT, FLANGE	4	

CRANKSHAFT PISTON



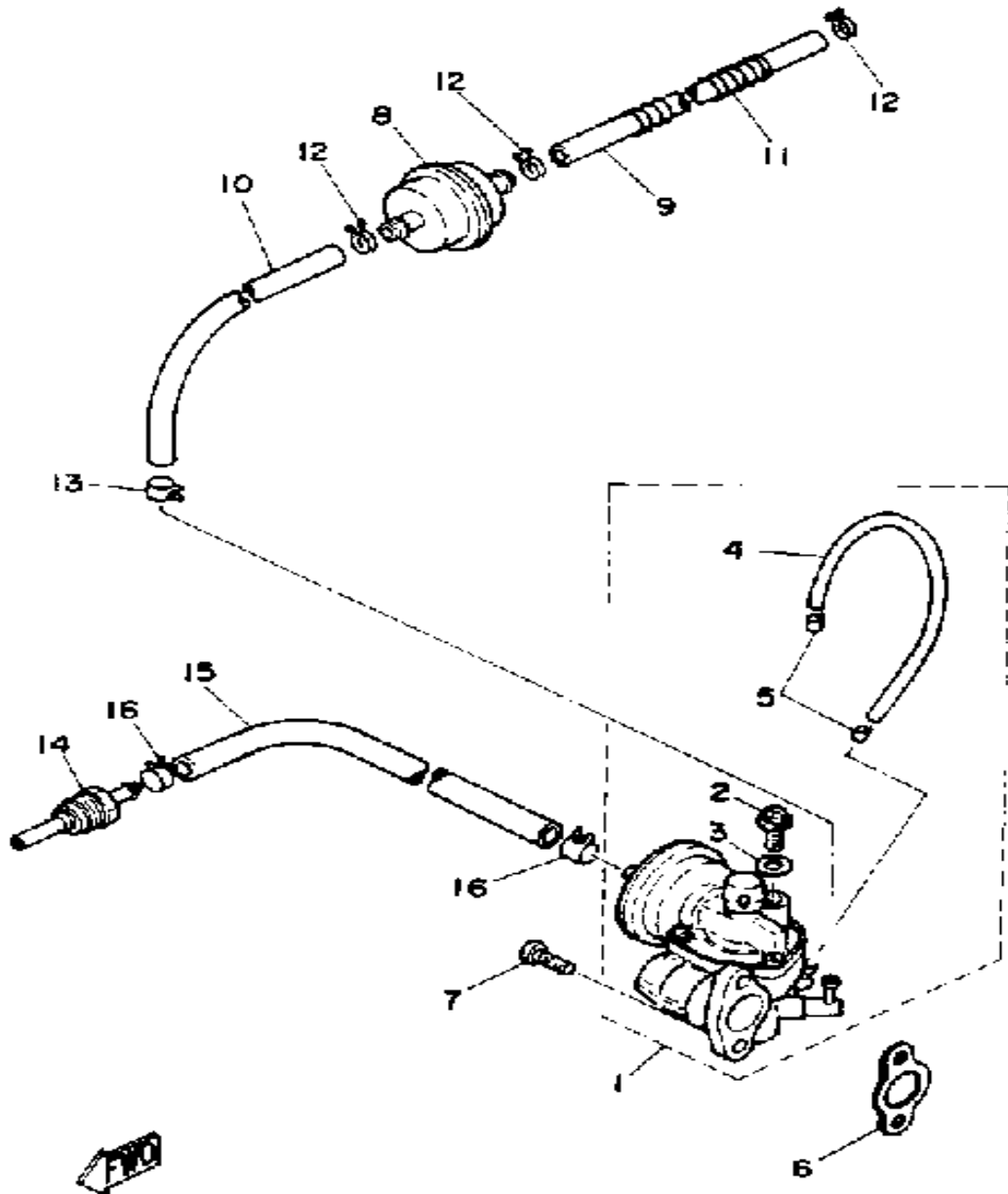
Ref. No.	Part Number	Description	Qty	Remarks
1	J10-11631-00-96	PISTON STD	1	U.R.
	J10-11635-00-00	PISTON 1 O/S 0.5	1	ALT. PART
	J10-11636-00-00	PISTON 2 O/S 0.0	1	ALT. PART
2	J10-11610-00-00	PISTON RINGSET STD	1	
	J10-11610-10-00	PISTON RINGSET 1ST (1ST O/S)	1	ALT. PART
	J10-11610-20-00	PISTON RINGSET 2ND (2ND O/S)	1	ALT. PART
3	818-11633-00-00	PIN, PISTON	1	
4	93450-20026-00	CIRCLIP	2	
5	93310-218A6-00	BEARING	1	
6	J10-11400-00-00	CRANKSHAFT ASSEMBLY	1	
7	J10-11412-00-00	. CRANK 1	1	
8	J10-11422-00-00	. CRANK 2	1	
9	857-11681-00-00	. PIN, CRANK 1	1	
10	90209-24073-00	. WASHER	2	
11	93310-42497-00	. BEARING, CYLINDER.# 0	1	
12	881-11651-00-00	. ROD, CONNECTING	1	
13	93306-30630-00	BEARING	1	
14	93306-20622-00	BEARING	1	
15	93102-30188-00	OIL SEAL, SD-TYPE	1	
16	93450-72048-00	CIRCLIP, INNER	1	
17	93102-30128-00	OIL SEAL, SD-TYPE	1	
18	90280-16053-00	KEY, WOODRUFF	1	
19	90170-16182-00	NUT	1	
20	92901-16100-00	WASHER, SPRING	1	

AIR SHROUD-FAN



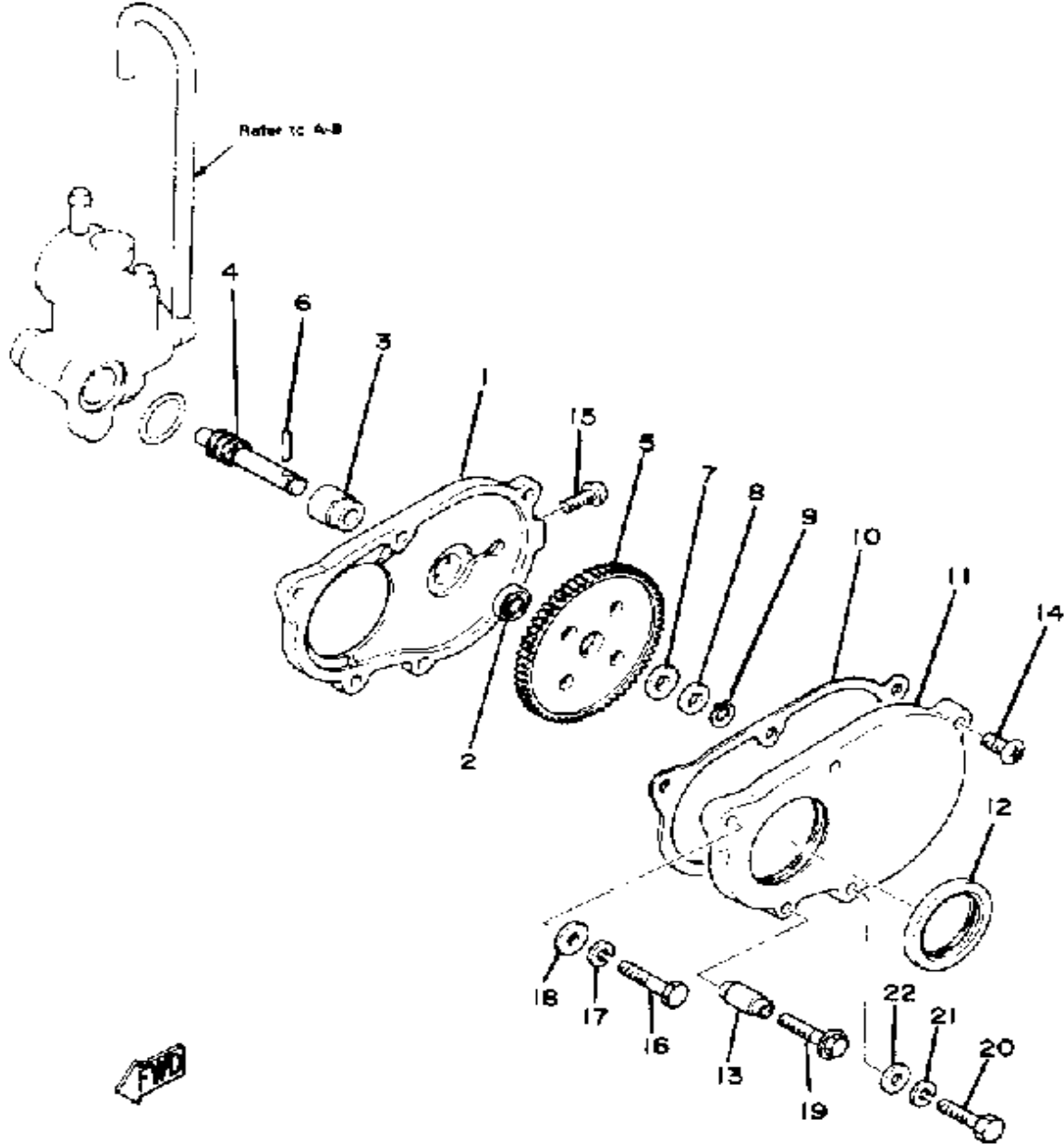
Ref. No.	Part Number	Description	Qty	Remarks
1	J10-12651-00-00	AIR SHROUD, CYLINDER 1CYLINDER 1	1	
2	J24-12652-00-00	AIR SHROUD, CYLINDER 2CYLINDER 2	1	
3	98503-06014-00	SCREW, PAN HEAD (92502-06016)	3	
4	92901-06600-00	. WASHER	3	
5	97313-06016-00	BOLT, HEXAGON	4	
6	90465-10129-00	CLAMP	1	
7	90465-08028-00	CLAMP	1	
8	90201-06059-00	WASHER, PLATE	4	
	90201-065F3-00	WASHER, PLATE	4	705~
9	J10-12631-00-00	DEFLECTOR 1	1	
10	90267-48086-00	RIVET, BLIND	3	
11	90201-04325-00	WASHER, PLATE	3	
12	8G8-12611-01-00	FAN	1	
13	97011-06016-00	BOLT	6	
14	92995-06100-00	WASHER, SPRING	6	
15	92901-06600-00	WASHER	6	
16	J10-12621-01-00	CASE, FAN	1	
17	97313-06050-00	BOLT	3	
18	92901-06600-00	WASHER	3	
	92901-06600-00	WASHER	5	705~
19	J10-12616-00-00	COVER, FAN CASE	1	
20	97313-06065-00	BOLT, HEXAGON	2	
21	92901-06600-00	. WASHER	2	
22	97021-06030-00	BOLT	1	
23	92901-06600-00	. WASHER	1	

OIL PUMP



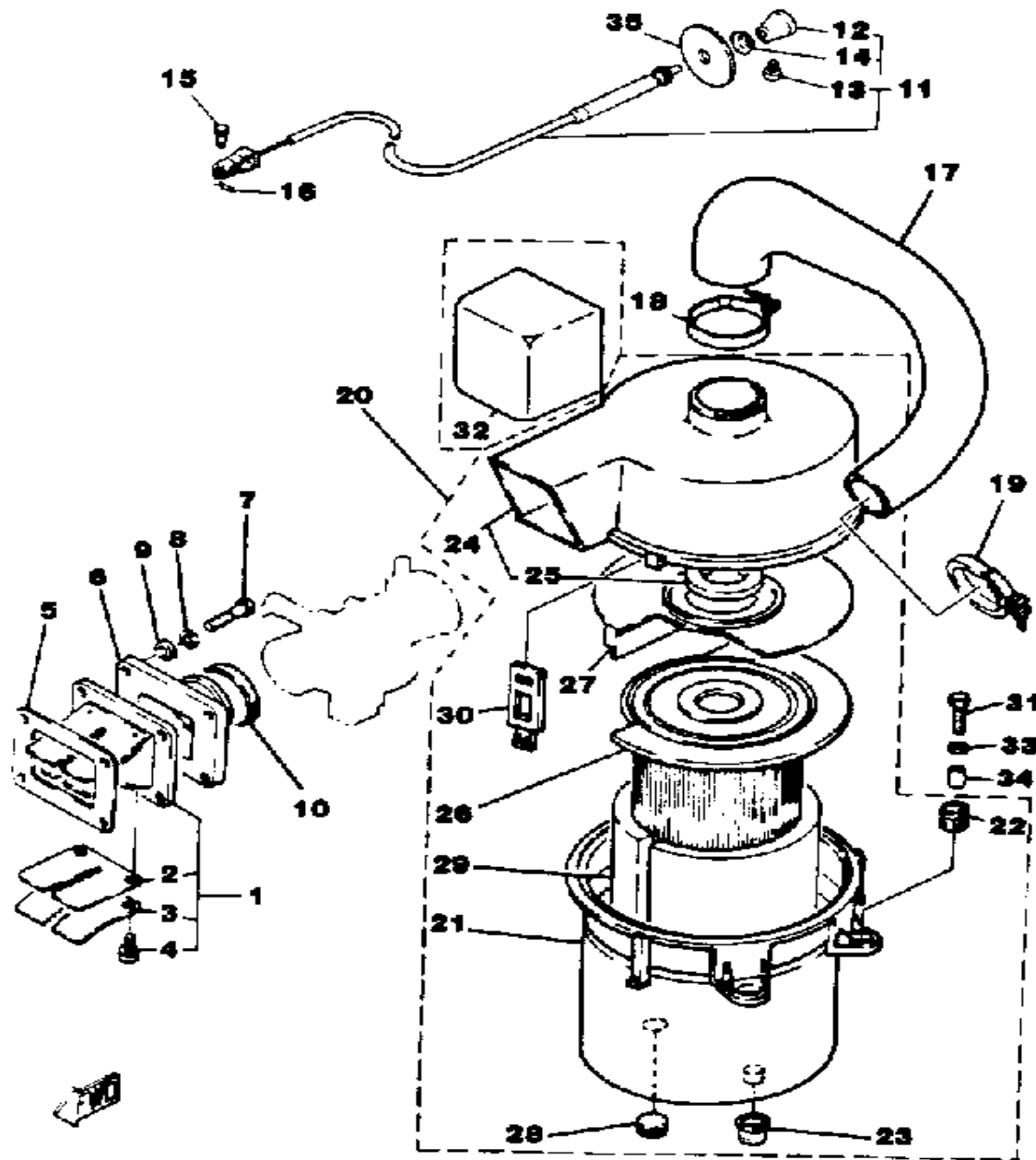
Ref. No.	Part Number	Description	Qty	Remarks
1	J10-13101-02-00	OIL PUMP ASSEMBLY	1	
2	90401-06001-00	. BOLT, UNION	1	
3	90430-06180-00	. GASKET	1	
4	90445-05214-00	. HOSE	1	
5	90468-02033-00	. CLIP	2	
6	3MT-13116-00-00	GASKET, PUMP CASE (8Y0-13116-00)	1	
7	98580-05016-00	SCREW, PAN HEAD	2	
8	J10-13410-00-00	STRAINER HSNG ASSEMBLY .	1	
9	90445-09226-00	HOSE	1	
10	90445-09282-00	HOSE	1	
11	90501-08430-00	SPRING, COMPRESSION	1	
12	90467-09005-00	CLIP, SCISSOR	3	
13	90467-09026-00	CLIP	1	
14	J10-13283-00-00	JET, SENSER	1	
15	90445-11391-00	HOSE	1	
16	90467-10035-00	CLIP	2	

PUMP DRIVE GEAR



Ref. No.	Part Number	Description	Qty	Remarks
1	J10-15416-00-00	COVER, OIL PUMP	1	
2	93101-10090-00	OIL SEAL	1	
3	1E7-13176-00-00	METAL, WRM SHAF OTR	1	
4	J10-13175-00-00	SHAFT, WORM	1	
5	J10-13188-00-00	GEAR, DRIVE	1	
6	93603-22028-00	PIN, DOWEL	1	
7	90206-11016-00	WASHER, WAVE	1	
8	137-13148-00-00	PLATE, CAM THRUST	1	
9	99009-10400-00	CIRCLIP	1	
10	J10-15466-00-00	GASKET 2	1	
11	J10-15426-00-00	COVER, OIL PUMP R	1	
12	93112-53004-00	OIL SEAL, SR-TYPE	1	705~
13	91810-18025-00	PIN, DOWEL	2	
14	98580-06018-00	SCREW, PAN HEAD	1	
15	98580-06012-00	SCREW, PAN HEAD	1	
16	97313-08035-00	BOLT, HEXAGON	1	
17	92990-08100-00	WASHER	1	
18	92901-08600-00	WASHER	1	
19	95811-06035-00	BOLT, FLANGE	2	
20	97021-06030-00	BOLT	1	
21	92995-06100-00	WASHER, SPRING	1	
22	92901-06600-00	WASHER	1	

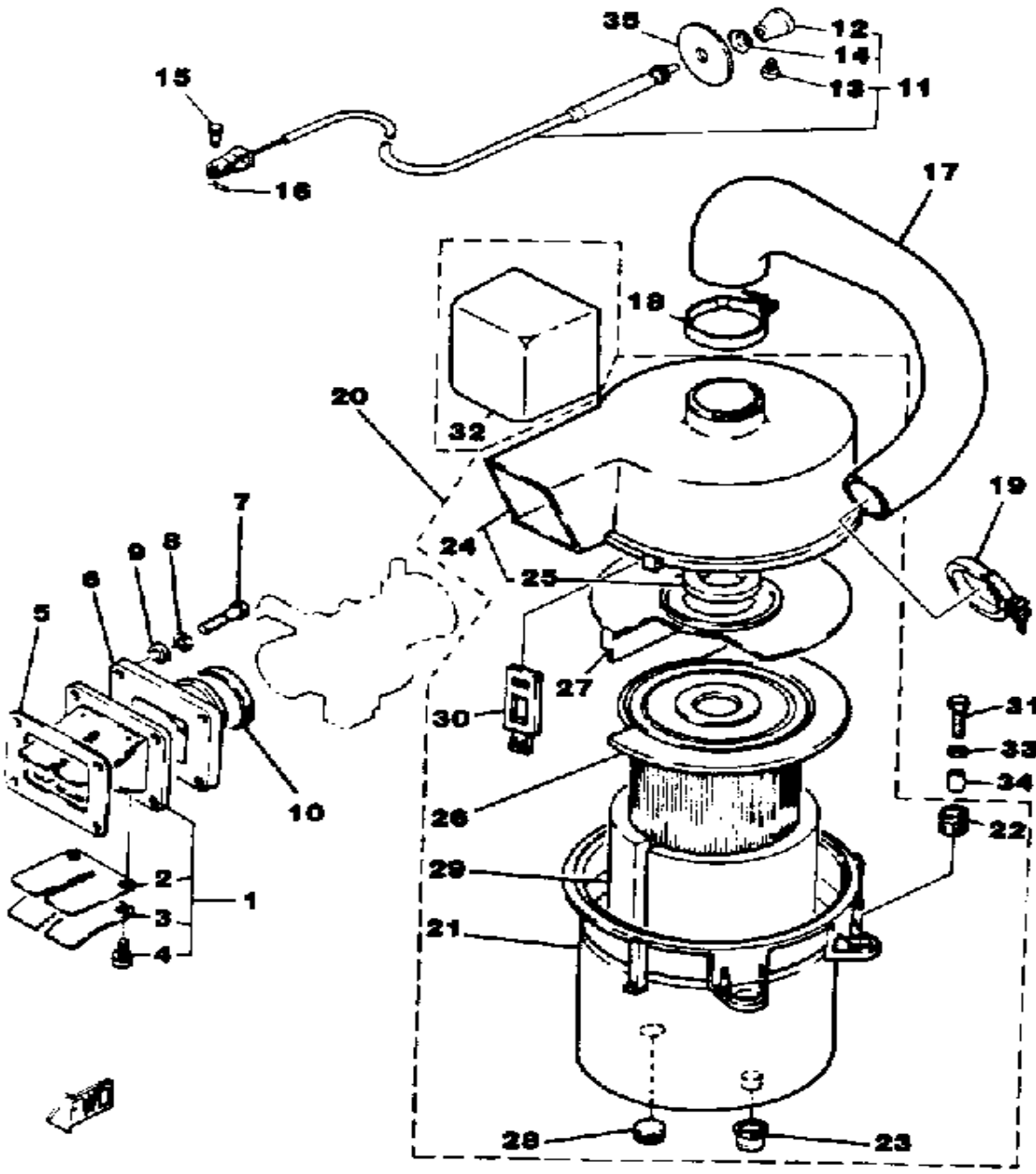
AIR FILTER



Ref. No.	Part Number	Description	Qty	Remarks
1	10V-13610-01-00	REED VALVE ASSEMBLY (885-13610-00)	1	
2	10V-13613-01-00	. REED, VALVE (1L8-13613-00)	2	
3	1UA-13616-00-00	. STOPPER REED VALVE VALVE (10V-13616-01)	2	
4	98580-03008-00	. SCREW, PAN HEAD	4	
5	3TT-13621-00-00	GASKET, VALVE SEAT	1	
6	J10-13586-00-00	JOINT, CARBURETOR 1	1	
7	97021-06030-00	BOLT	4	
8	92995-06100-00	WASHER, SPRING	4	
9	92901-06600-00	. WASHER	4	
10	90460-41191-00	CLAMP, HOSE (90460-41146)	1	
11	J10-26331-02-00	CABLE, STARTER 1	1	
12	J10-26325-00-00	. KNOB, STARTER	1	
13	90149-03132-00	. SCREW, SPECIAL SHAPE	1	
14	J17-26339-09-00	. BOOT	1	
15	91701-05010-00	PIN, CYLINDER. HEAD	1	
16	90468-10050-00	. CLIP	1	
17	J10-14453-00-00	JOINT, AIR CLNR 1	1	
18	90460-41191-00	CLAMP, HOSE (90460-41146)	1	
19	90460-50035-00	CLAMP, HOSE	1	
20	J10-14410-00-00	AIR CLEANER ASSEMBLY 1	1	
21	J10-14411-01-00	CASE, air cleaner 1	1	
22	90480-13238-00	GROMMET	2	
23	90480-14239-00	GROMMET	2	
24	J17-W1443-00-00	CAP, cleaner case 1 (J17-14412-01-00)	1	
25	J10-14416-00-00	GASKET, AIR CLEANER	1	
26	J10-14450-10-00	ELEMENT ASS'Y, air cleaner	1	
27	J10-1441F-00-00	PARTN, AIR CLNR CSAIR CLEANER CASE	1	

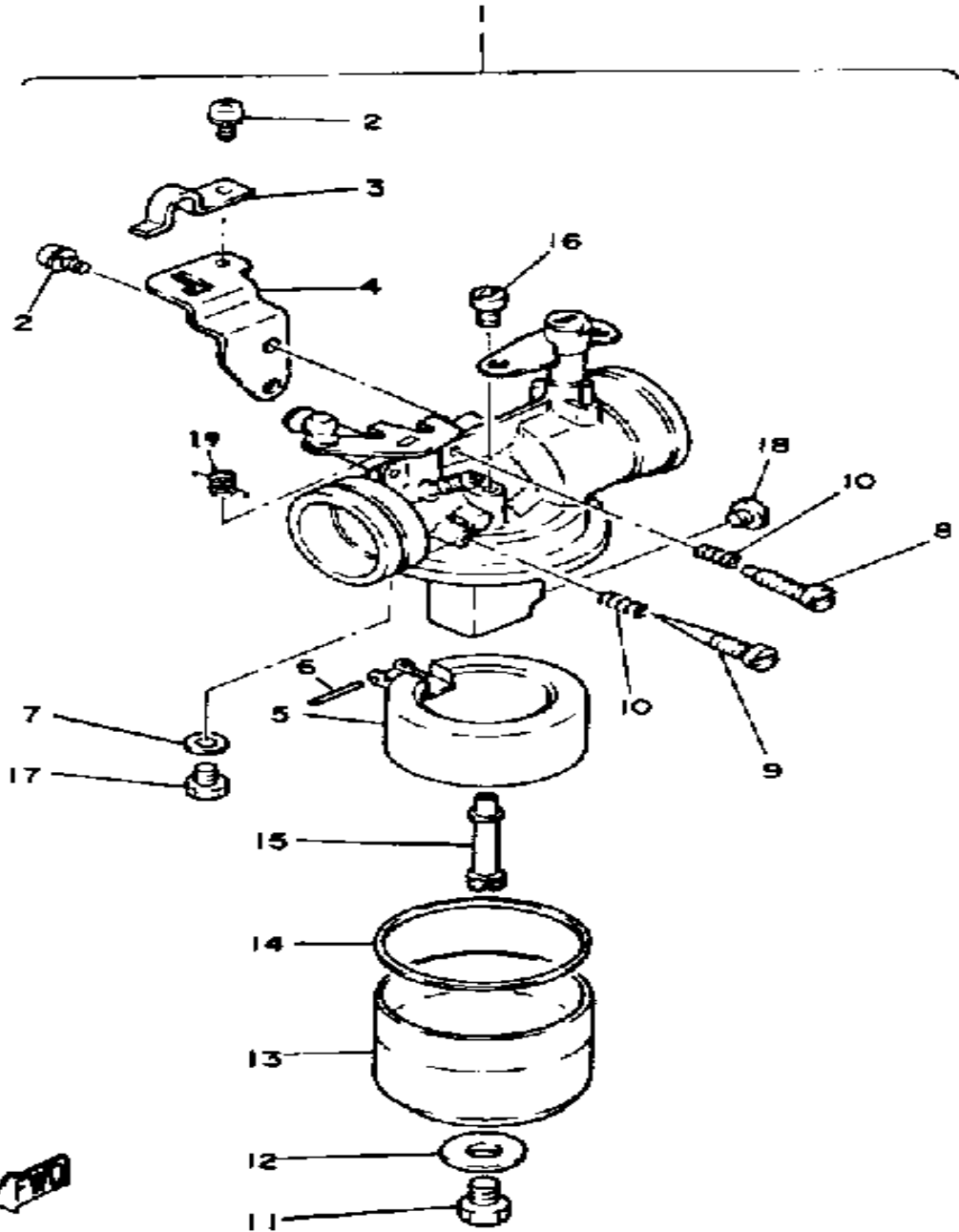
CONTINUED ON NEXT FRAME ➤

AIR FILTER



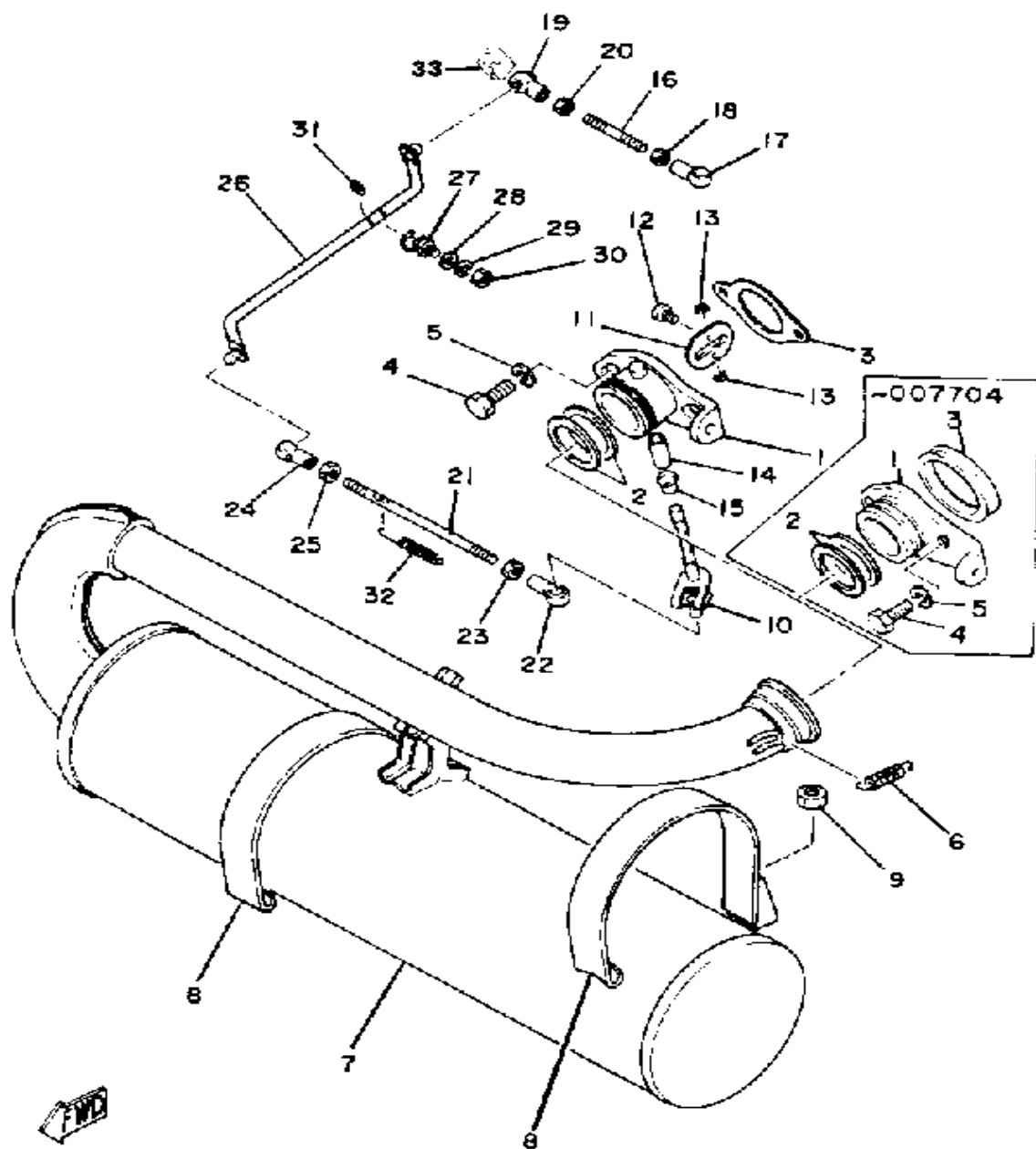
Ref. No.	Part Number	Description	Qty	Remarks
28	90480-14100-00	GROMMET	1	
29	J10-14417-00-00	COVER 1	1	255~
30	J10-14436-00-00	HOOK	3	
31	97003-06022-00	BOLT, HEXAGON (97301-06022)	2	
32	J10-12644-00-00	DEFLECTOR 3 0 1	1	961~
33	90201-062G3-00	WASHER, PLATE	2	
	90201-065F3-00	WASHER, PLATE	2	
34	90387-06026-00	COLLAR	2	
35	90201-114E6-00	WASHER, PLATE	1	

CARBURETOR



Ref. No.	Part Number	Description	Qty	Remarks
1	J10-14101-03-00	CARBURETOR ASSEMBLY 1 (J10-14100-02) 0 1	1	705~
	J10-14101-09-00	CARBURETOR ASSEMBLY 1 (J10-14101-01) 0 1	1	101~ 007704
2	98580-03008-00	. SCREW, PAN HEAD	2	
3	J10-14243-00-00	. PLATE	1	
4	J10-14581-00-00	. BRACKET	1	
5	796-14185-00-00	. FLOAT	1	
6	796-14186-00-00	. PIN, FLOAT	1	
7	127-14195-00-00	. WASHER, NEEDLE VALVE	1	
8	J10-14122-00-00	. SCREW, THROTTLE	1	
9	620-14211-00-00	. SCREW, PILOT ADJUSTING	1	
10	620-14212-00-00	. SPRING, PILOT ADJUSTING	2	
11	J10-14244-00-00	. HOLDER, NOZZLE	1	
12	732-14237-00-00	. GASKET	1	
13	796-14181-00-00	. BODY, FLOAT CHMBR 1	1	
14	796-14184-00-00	. GASKET, FLOAT CHAMBER	1	
15	J10-14141-00-00	. NOZZLE, MAIN	1	
16	620-14142-32-00	JET, PILOT # 2	1	
	620-14142-45-00	. JET, PILOT #45 0 1	1	705~
17	353-14190-15-00	. NEEDLE VALVE ASSEMBLY	1	
18	3G2-14231-10-00	. JET, POWER (# 50)	1	
	3G2-14231-20-00	. JET, PILOT AIR (#100)	1	705~
19	J10-14131-00-00	SPRING, THROTTLE	1	
	J10-14202-09-00	THROTTLE SHAFT ASSEMBLY	1	

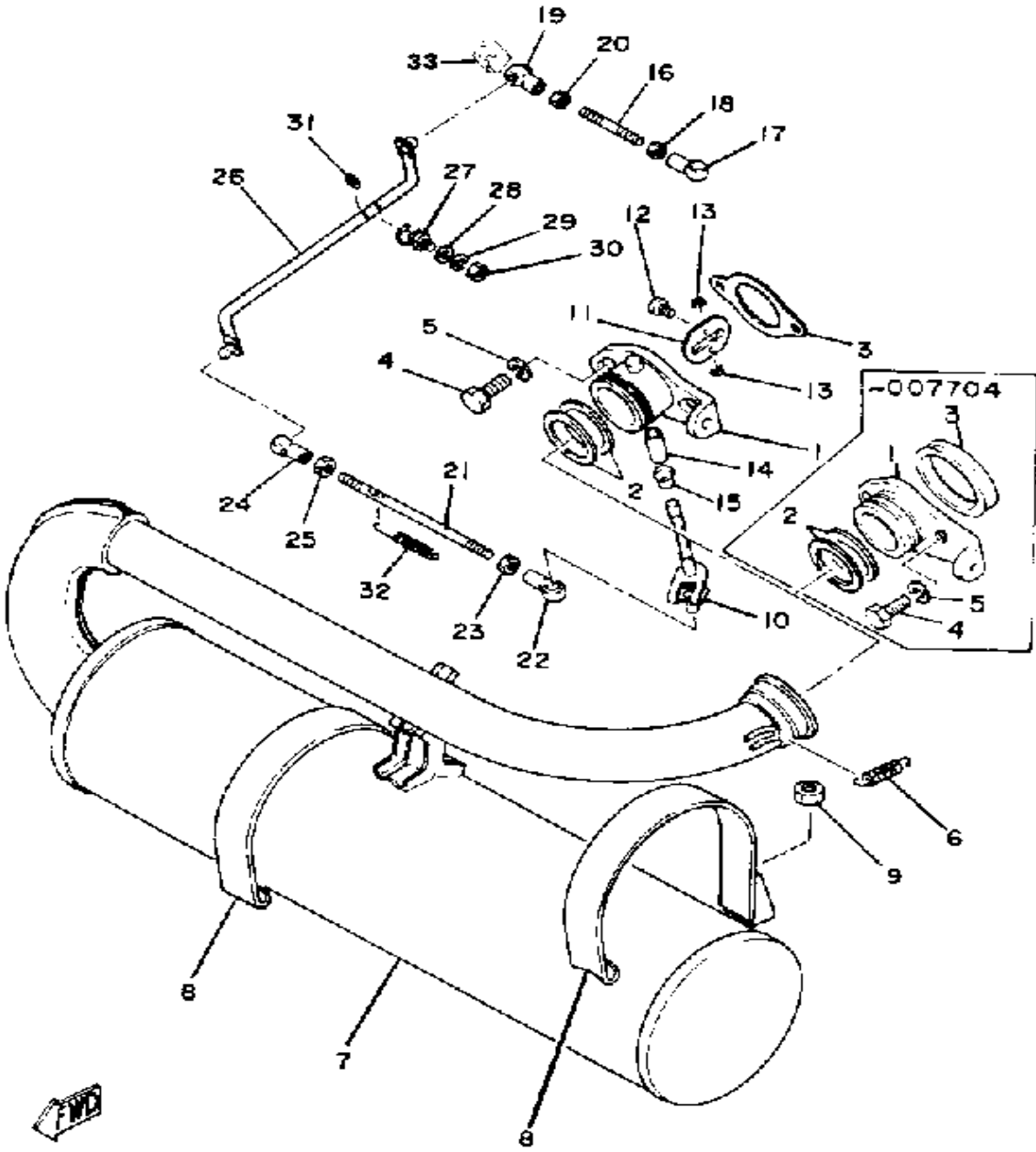
EXHAUST



Ref. No.	Part Number	Description	Qty	Remarks
1	J10-14612-00-00	NUT, RING	1	
	J10-14612-01-00	NUT, RING	1	705~
2	888-14633-00-00	RING	2	
3	8F3-14613-00-00	GASKET, EXST PIPE	1	
	J10-14613-00-00	GASKET, EXST PIPE	1	705~
4	97013-08025-00	BOLT	2	
5	92990-08100-00	WASHER	2	
6	90506-20074-00	SPRING, TENSION	2	
7	99999-01395-00	EXHAUST PIPE ASSEMBLY (J10-14610-00)	1	
	J10-14612-01-00	. NUT, RING	1	
	J24-14610-00-00	. EXHAUST PIPE ASSEMBLY L	1	705~
8	J10-14715-01-00	BAND, MUFFLER	2	
9	95611-08100-00	NUT, U	2	
10	J10-14813-01-00	SHAFT, BUTTERFLY	1	705~
11	99999-01184-00	. VALVE BUTTERFLY0 1	1	705~
	J10-14812-02-00	. VALVE, BUTTERFLY	1	
	J10-14813-01-00	. SHAFT, BUTTERFLY	1	
12	98580-03008-00	SCREW, PAN HEAD	2	
	98580-03008-00	SCREW, PAN HEAD	2	705~
13	99080-05600-00	CIRCLIP	2	705~
14	J10-14815-00-00	GASKET	1	705~
15	J10-14818-00-00	COVER, GASKET	1	705~
16	J10-14836-00-00	ROD	1	705~
17	J10-14833-00-00	JOINT 0 1	1	705~
18	95311-05700-00	NUT	1	705~
19	J10-14864-00-00	JOINT 0 1	1	705~
20	90170-05190-00	NUT, HEXAGON	1	705~
21	J10-14837-00-00	CONNECTOR, ROD	1	705~

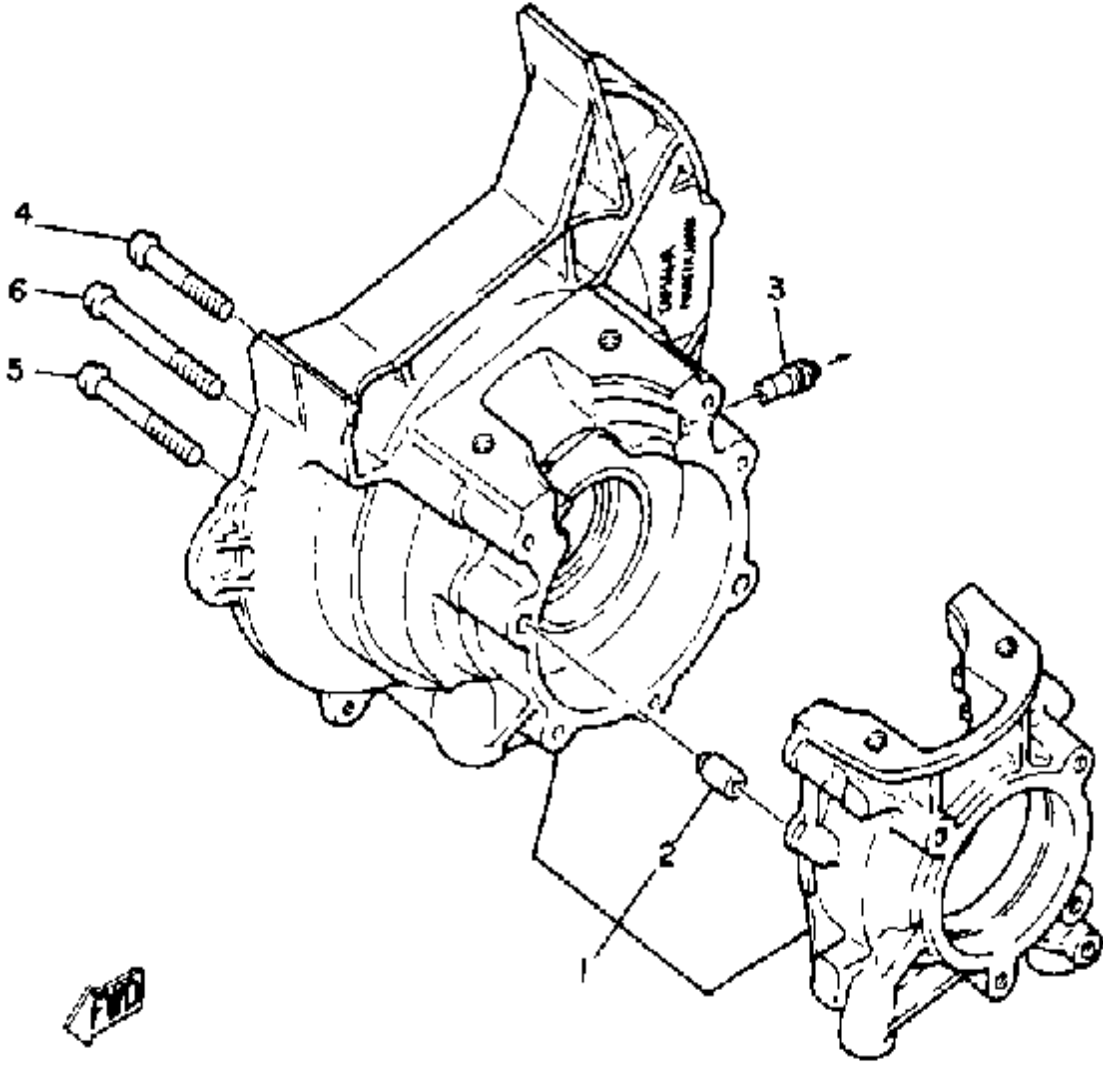
CONTINUED ON NEXT FRAME ►

EXHAUST



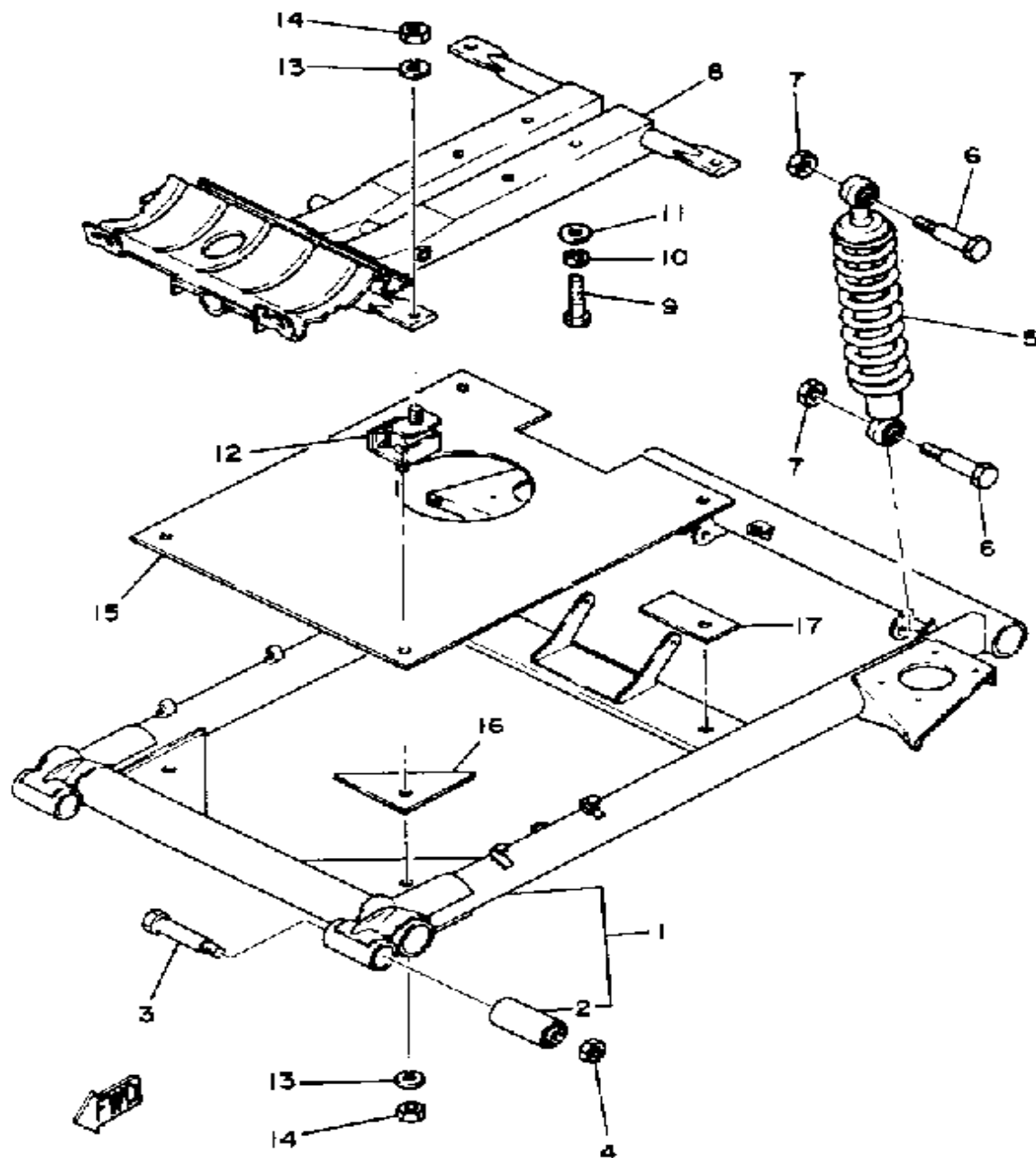
Ref. No.	Part Number	Description	Qty	Remarks
22	J10-14833-00-00	JOINT 0 1	1	705~
23	95311-05700-00	NUT	1	705~
24	J10-14864-00-00	JOINT 0 1	1	705~
25	90170-05190-00	NUT, HEXAGON	1	705~
26	J10-14802-00-00	CONNECTER COMP	1	705~
27	90464-07034-00	CLAMP	2	
28	92901-05600-00	WASHER, PLATE	2	705~
29	92990-05100-00	WASHER, SPRING	2	705~
30	95380-05600-00	NUT	2	705~
31	99009-06600-00	CIRCLIP	2	705~
32	90506-06201-00	SPRING, TENSION	1	705~
33	90468-05112-00	CLIP	4	

CRANKCASE



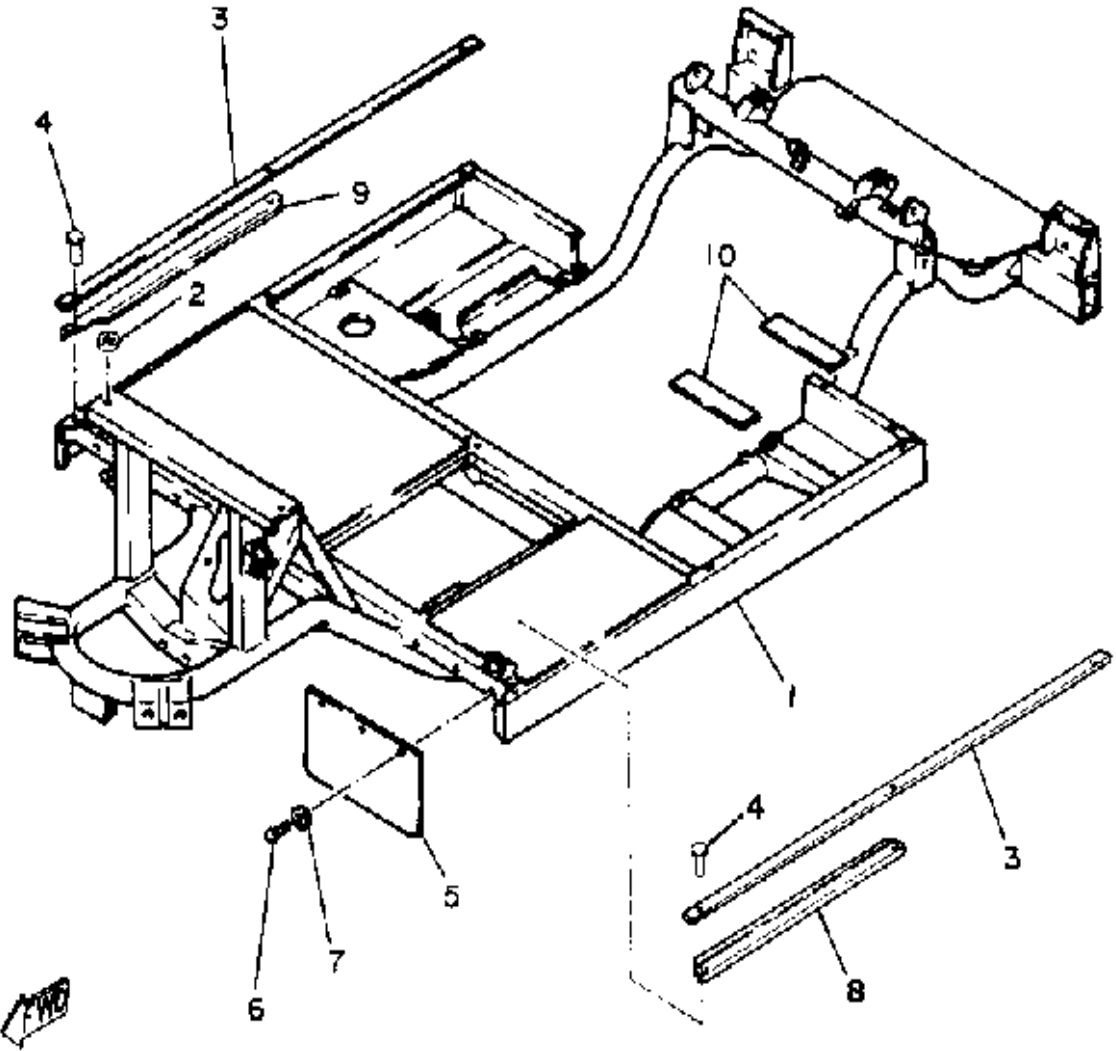
Ref. No.	Part Number	Description	Qty	Remarks
1	8H4-15100-00-00	CRANKCASE ASSEMBLY	1	
2	99530-10014-00	. PIN, DOWEL	2	
3	J38-11116-00-00	JOINT, BREATHER	1	
4	98580-06545-00	SCREW PAN HEAD (92503-06045)	5	
5	98580-06055-00	SCREW, pan head (92501-06065-00)	1	
6	98580-06565-00	SCREW, PAN HEAD (92501-06065)	1	

REAR SHOCKS



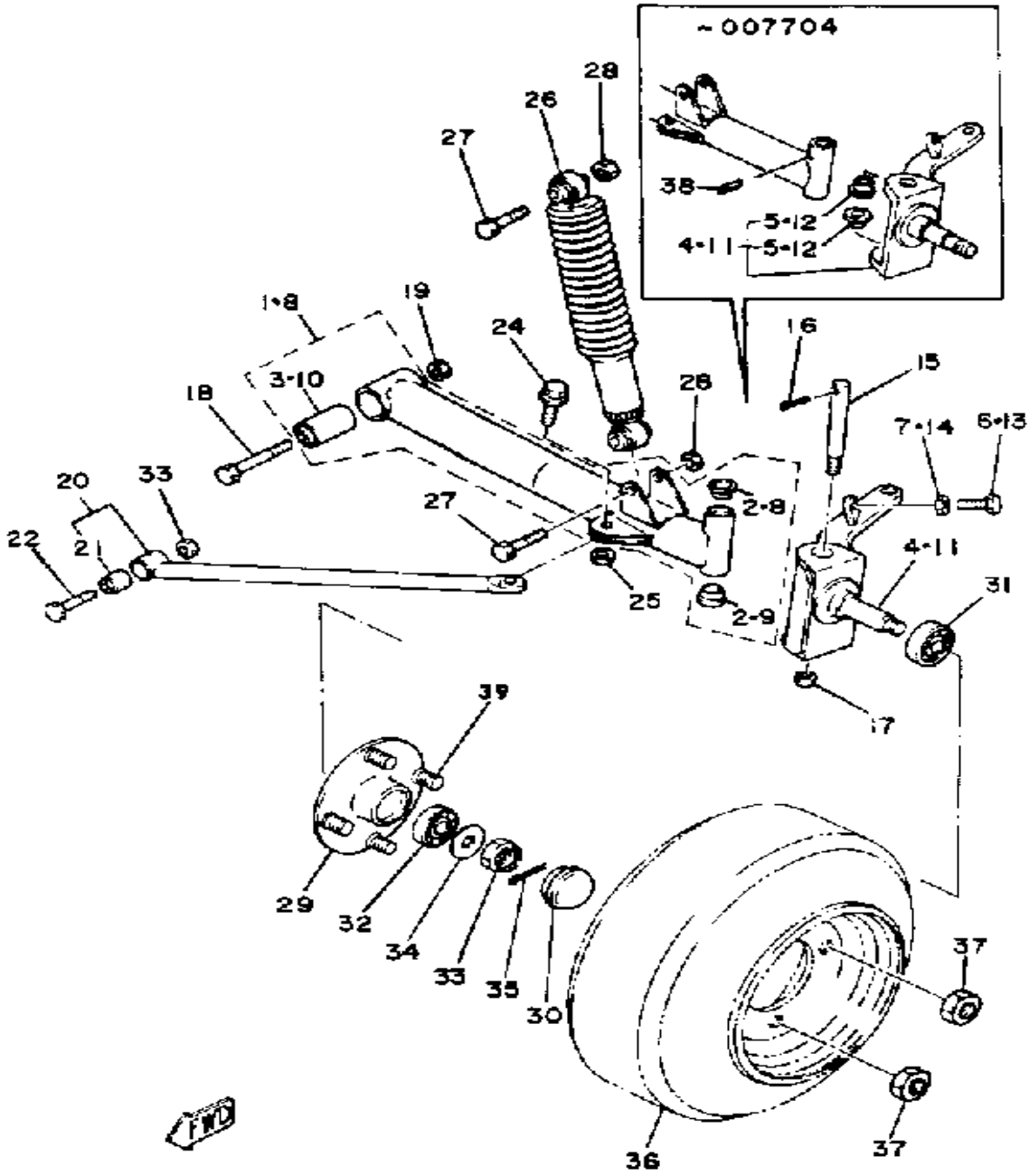
Ref. No.	Part Number	Description	Qty	Remarks
1	ϕJ1-0W221-10-00	UNAVAILABLE IN PRICE BOOK	1	
	ϕJ1-0W221-10-10	UNAVAILABLE IN PRICE BOOK	1	705~
2	J10-22123-00-00	BUSH 1	2	
3	90101-10419-00	BOLT	2	SEE OPT. PARTS BELOW
4	95612-10100-00	NUT, BIND	2	SEE OPT. PARTS BELOW
5	J10-22210-00-00	SHK/ABS ASSEMBLY, REARASS'Y, REAR	2	
6	97313-10050-00	BOLT, HEXAGON (676)	4	
7	95601-10100-00	NUT, U (95602-10100-00)	4	
8	(J10-21411-00-00)	BRACKET, ENGINE 1	1	
	J10-21411-01-00	BRACKET, ENGINE 1 0 1	1	705~
9	90106-10034-00	BOLT, DOME HEAD	4	
10	92990-10100-00	WASHER, SPRING	4	
11	92990-10600-00	WASHER, PLATE	4	
12	J10-21486-00-00	DAMPER 2	4	
13	92990-10100-00	WASHER, SPRING	8	
14	95303-10600-00	NUT (95301-10600)	8	
15	ϕJ1-02219-X0-00	UNAVAILABLE IN PRICE BOOK	1	705~
16	J10-77277-00-00	DAMPER, NOISE 17 0 2	2	705~
17	90105-10050-00	BOLT, WASHER BASED	2	
	95611-10100-00	NUT, U	2	
	J10-77278-00-00	DAMPER, NOISE 18 0 2	2	705~

FRAME



Ref. No.	Part Number	Description	Qty	Remarks
1	J10-22501-00-98	FRAME	1	
	J10-22501-01-00	FRAME 0 1	1	705~
2	90202-08111-00	WASHER, PLATE	5	
3	J10-78249-00-00	TRIM, FLOOR	2	
4	90267-48086-00	RIVET, BLIND	6	
5	J10-78187-00-00	FLAP, FRONT FENDER	2	
6	90267-40054-00	RIVET, BLIND	6	
	90267-40076-00	RIVET, BLIND	6	
7	90201-05034-00	WASHER, PLATE	6	
8	J10-78182-00-00	PLATE 2 (L.H.)	1	305~
9	J10-78181-00-00	PLATE 1 (R.H.)	2	305~
10	⌘J1-02418-20-00	UNAVAILABLE IN PRICE BOOK	2	

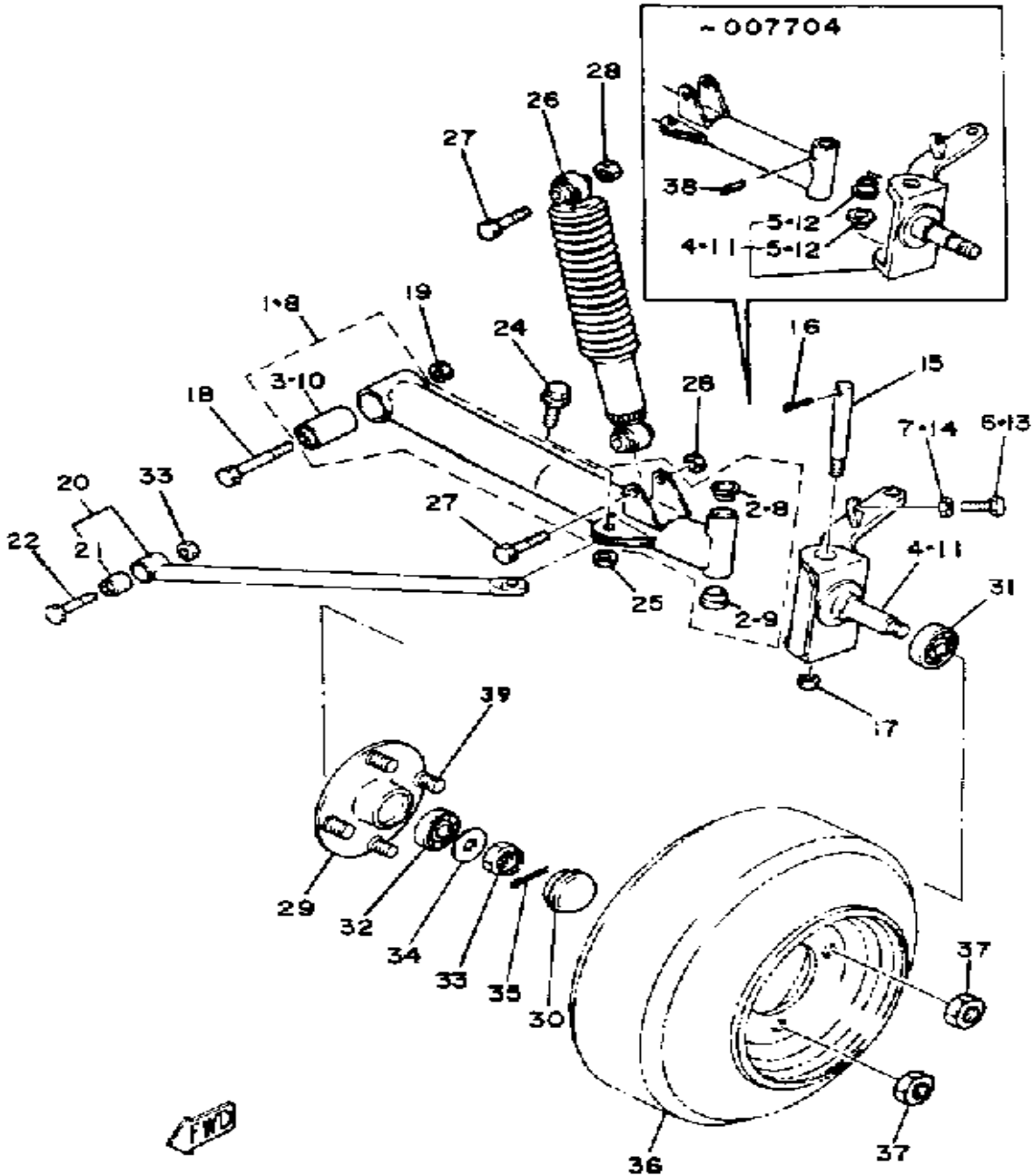
FRONT SUSPENSION-WHEEL



Ref. No.	Part Number	Description	Qty	Remarks
1	J10-W2351-01-00	FRONT LOWER ARM L (L.H)	1	705~
	J10-W2351-09-00	FRONT LOWER ARM L (L.H) (J10-W2351-00)	1	
2	90381-15032-00	. BUSH, SOLID	2	705~
3	J10-23526-00-00	. BUSH	1	
4	J10-23510-02-00	KNUCKLE, STEERING 1	1	705~
	J10-23510-09-00	KNUCKLE, STEERING 1 (J10-23510-90)	1	
5	90381-12031-00	. BUSH, SOLID	2	
6	97313-08030-00	BOLT, HEXAGON	2	
7	95303-08700-00	NUT	1	
8	J10-W2352-01-00	FRONT LOWER ARM R (R.H)	1	705~
	J10-W2352-09-00	FRONT LOWER ARM R (R.H) (J10-W2352.00)	1	
9	90381-15032-00	. BUSH, SOLID	2	705~
10	J10-23526-00-00	. BUSH	1	
11	J10-23520-02-00	KNUCKLE, STEERING 2	1	705~
	J10-23520-09-00	KNUCKLE, STEERING 2 (R.H) (J10-23520-90)	1	
12	90381-12031-00	. BUSH, SOLID	2	
13	97313-08030-00	BOLT, HEXAGON	1	
14	95303-08700-00	NUT	1	
15	J10-23516-00-00	KING PIN, STRG KNKL	2	
	J10-23516-02-00	KING PIN, STRG KNKL	2	705~
16	91401-30030-00	PIN, COTTER	2	123~
17	95601-12100-00	NUT, U	2	705~
	95712-12300-00	2	2	123~
18	90101-10418-00	BOLT	2	
19	95612-10100-00	NUT, BIND	2	
20	J10-W2355-00-00	ROD, TENSION	2	

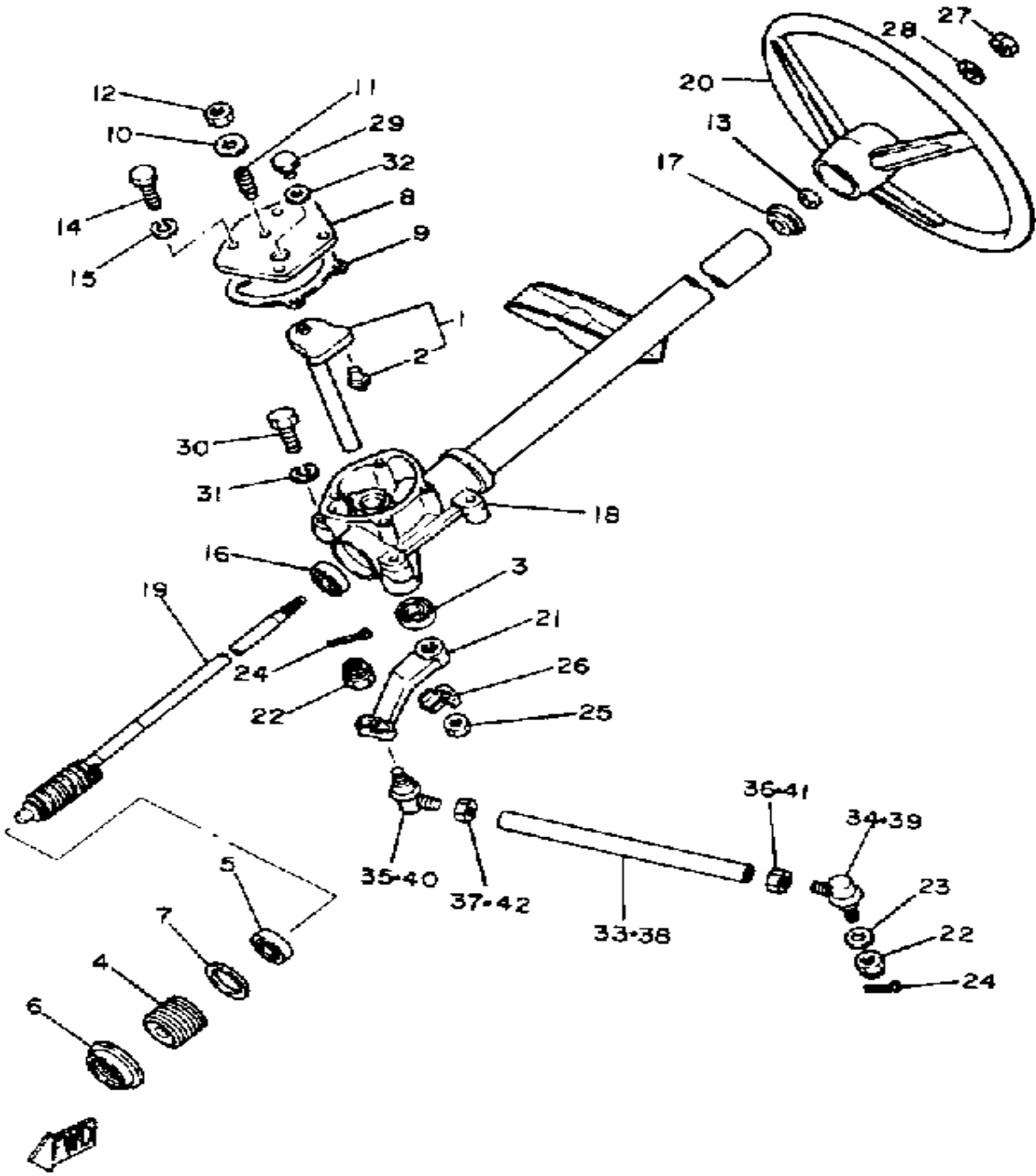
CONTINUED ON NEXT FRAME ►

FRONT SUSPENSION-WHEEL



Ref. No.	Part Number	Description	Qty	Remarks
21	J10-23583-01-00	. BUSH	1	
22	90101-08245-00	BOLT	2	
	90101-08497-00	BOLT 0 2	2	044~
23	95611-08100-00	NUT, U	2	
24	90105-10007-00	BOLT, WASHER BASED	2	
25	95611-10100-00	NUT, U	2	
	95701-10300-00	NUT, FLANGE (95702-10300) ..	2	865~
26	J42-23350-00-00	SHOCK ABSORBER ASSEMBLY (J10-23350-00) ...	2	
27	97313-10050-00	BOLT, HEXAGON (676)	4	
28	95601-10100-00	NUT, U (95602-10100-00)	4	
29	J10-W2511-01-00	HUB, FRONT	2	
30	J10-25118-00-00	COVER, HUB DUST	2	
31	93306-00441-00	BEARING (89A) (B6004RS) ...	2	
32	93306-20310-00	BEARING	2	
33	95301-14900-00	NUT, SLOTTED	2	
34	90201-142M6-00	WASHER, PLATE	2	
35	91401-30030-00	PIN, COTTER	2	
36	*---	FRONT WHEEL ASSEMBLY ..	2	LM
37	90179-12262-00	NUT	8	
38	91609-60028-00	PIN, SPRING	2	
39	90114-12003-00	BOLT, RIBBED NECK	8	

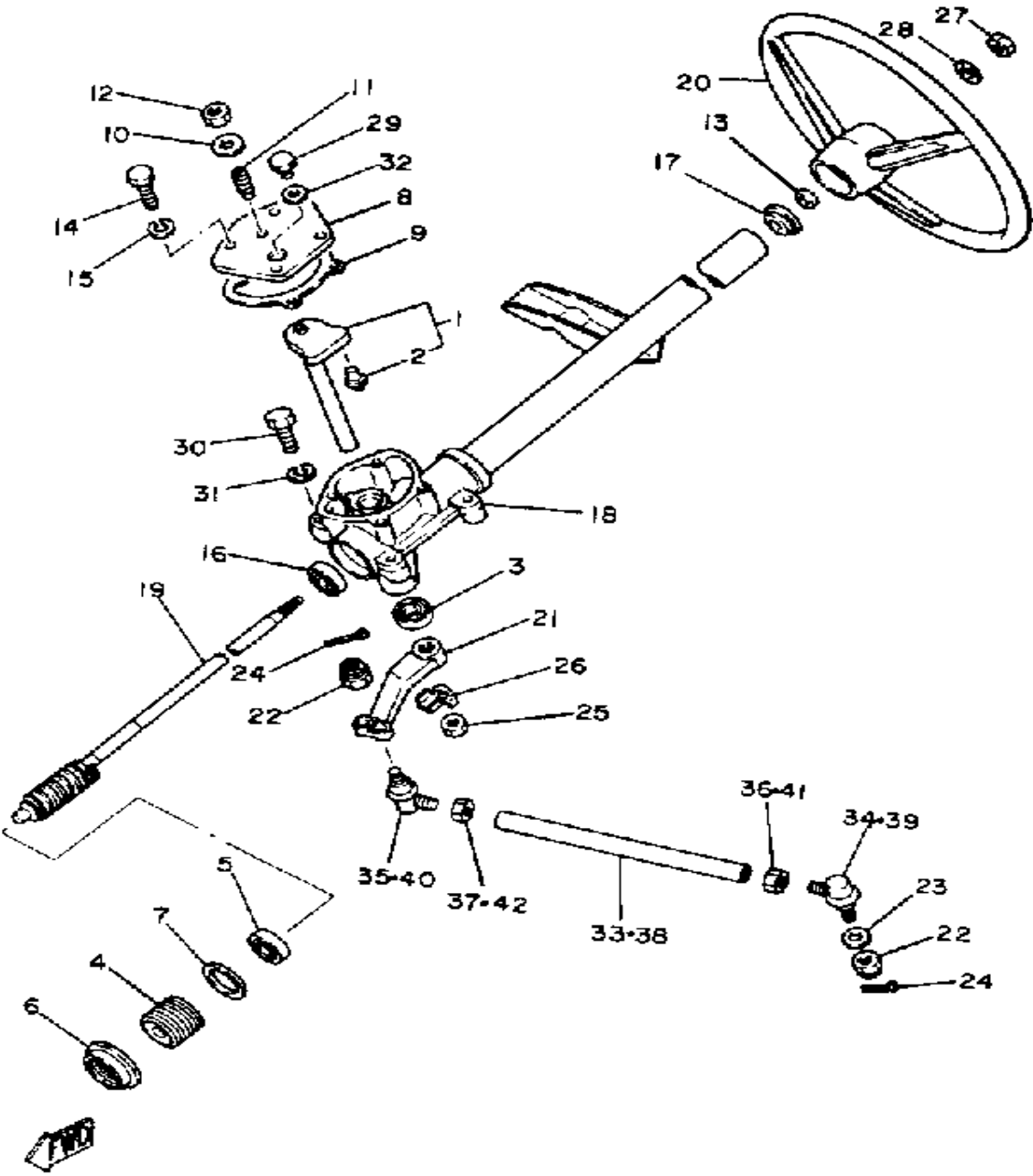
STEERING



Ref. No.	Part Number	Description	Qty	Remarks
1	J10-23816-03-00	ARM, PITTMAN (J10-23816-02)	1	
2	J10-23836-09-00	. PIN, PITMAN	2	
3	93102-22087-00	OIL SEAL	1	
4	J55-F3876-00-00	BOLT	1	
5	93332-00010-00	BEARING	1	
6	J10-23877-00-00	NUT	1	
7	J10-23444-00-00	WASHER	1	
8	J10-23818-00-00	COVER, STEERING	1	
9	J10-23462-00-00	SEAL, STEERING	1	
10	90201-08087-00	WASHER, PLATE	1	
11	J10-23459-00-00	BOLT	1	
12	90170-08024-00	NUT, HEX.	1	
13	93104-15005-00	OIL SEAL, SO-TYPE	1	
14	97313-08020-00	BOLT, HEXAGON	4	
15	92990-08100-00	WASHER	4	
16	93332-00010-00	BEARING	1	
17	J10-23814-00-00	HOLDER, HANDLE UPR	1	
18	93102-22087-00	OIL SEAL	1	
	99999-01397-00	COLUMN STEER COMP. (J10-23811-00-9E)	1	IVORY WHITE
	J10-23811-01-9E	COLUMN, STEERING	1	
19	J10-23840-00-00	STEERING SHAFT	1	
20	J55-F3838-00-00	WHEEL, STEERING (J10-23838-00)	1	
21	J10-23826-00-00	ARM, IDLER	1	
22	90171-12023-00	NUT, CASTLE	4	
23	90201-12588-00	WASHER, PLATE	2	705~
24	91401-30030-00	PIN, COTTER	4	
25	95601-16100-00	NUT, U	1	

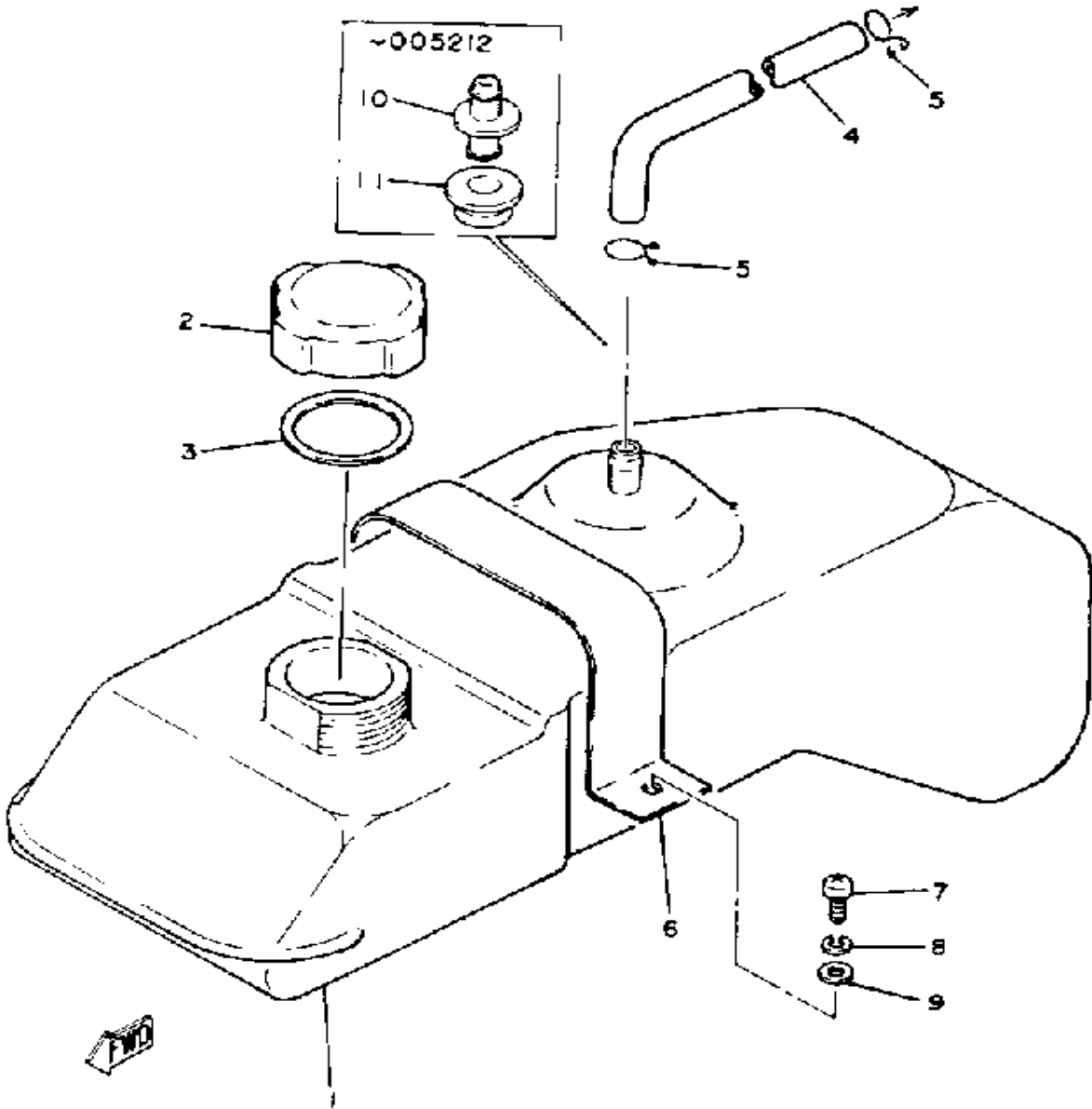
CONTINUED ON NEXT FRAME ►

STEERING



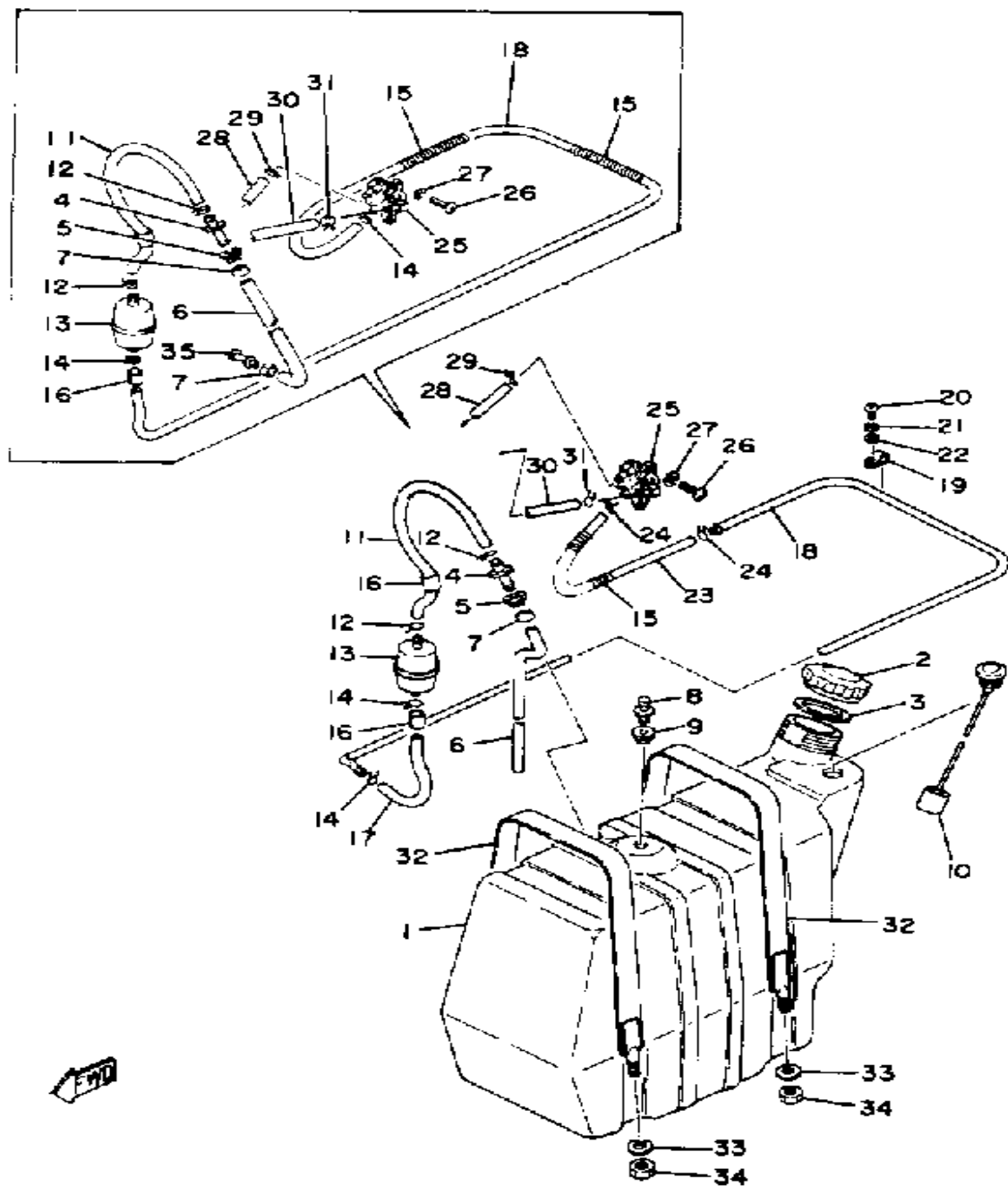
Ref. No.	Part Number	Description	Qty	Remarks
25	95701-16300-00	NUT, FLANGE	1	705~
26	90215-16161-00	WASHER, LOCK	1	705~
27	95301-12700-00	NUT (95302-12700)	1	
28	92990-12200-00	WASHER, PLAIN	1	
29	90340-14029-00	. PLUG, STRAIGHT SCREW	1	
30	97313-10050-00	BOLT, HEXAGON (676)	4	
31	92990-10100-00	WASHER, SPRING	4	
32	90340-14118-00	PLUG, STRAIGHT	1	
	90430-14043-00	GASKET	1	305~
33	J10-23831-00-00	ROD, TIE	1	
34	J10-23841-10-00	JOINT, UNIVERSAL 1	1	
35	J10-23845-10-00	JOINT, UNIVERSAL 2	1	
36	90170-12054-00	NUT	1	
37	90170-12055-00	NUT	1	
38	J10-23831-00-00	ROD, TIE	1	
39	J10-23841-10-00	JOINT, UNIVERSAL 1	1	
40	J10-23845-10-00	JOINT, UNIVERSAL 2	1	
41	90170-12054-00	NUT	1	
42	90170-12055-00	NUT	1	

OIL TANK



Ref. No.	Part Number	Description	Qty	Remarks
1	J17-21751-00-00	TANK, OIL	1	
2	863-21771-00-00	BODY, CAP	1	
3	90430-31003-00	GASKET	1	
4	J10-21745-00-00	PIPE, OIL TNK BRTHR	1	
5	90467-11009-00	CLIP	2	
6	J10-21776-00-00	BAND, TANK FITTING	1	
7	98580-06012-00	SCREW, PAN HEAD	1	
8	92995-06100-00	WASHER, SPRING	1	
9	92901-06600-00	WASHER	1	
10	J10-21753-00-00	BOSS, CONNECTOR	1	
11	J10-21773-00-00	GROMMET	1	

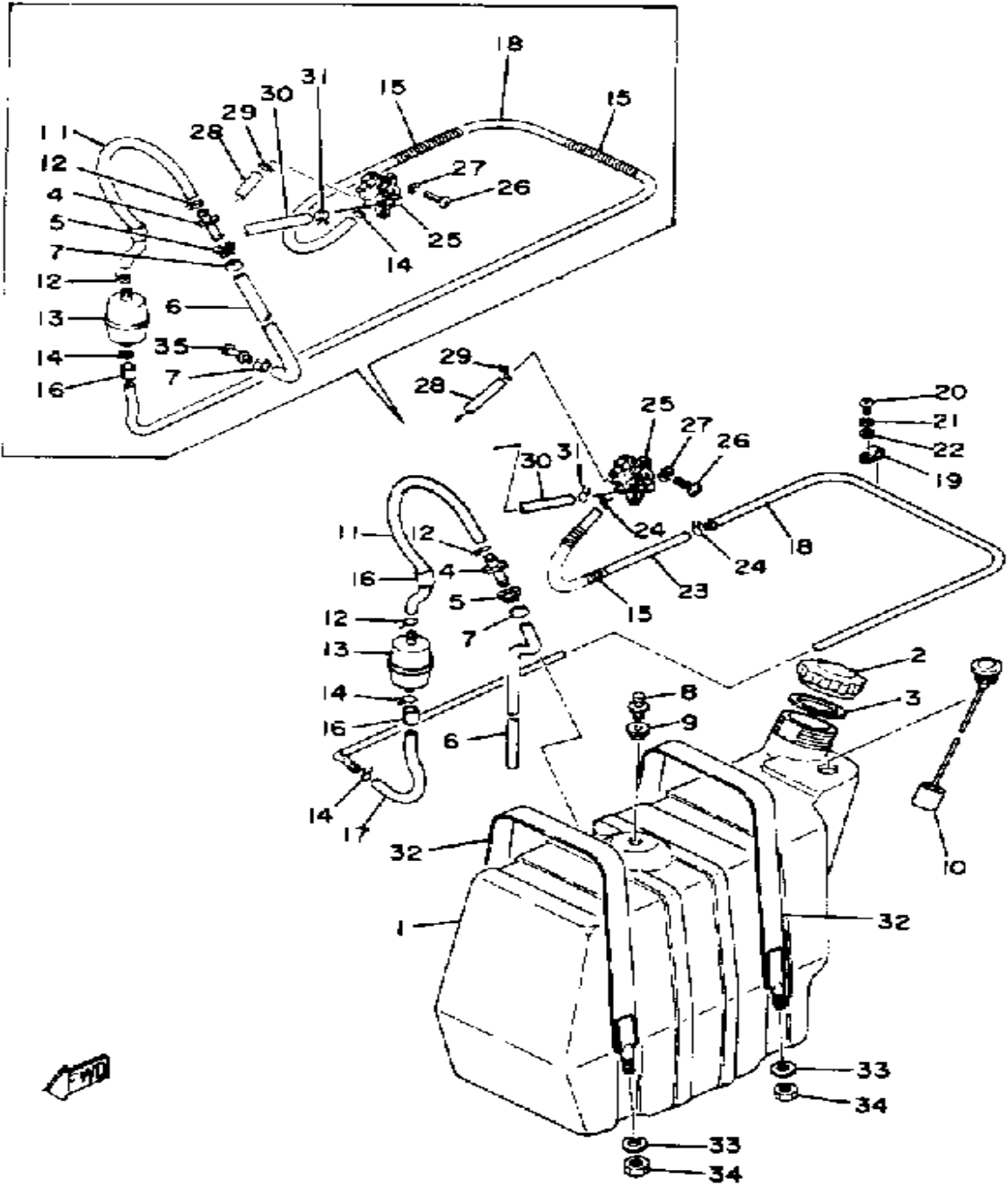
FUEL TANK



Ref. No.	Part Number	Description	Qty	Remarks
1	99999-01226-00	TANK FUEL (J10)	1	
	J17-24111-00-00	FUEL TANK	1	
	J24-24620-01-00	BODY CAP ASSEMBLY	1	
2	J10-24611-00-00	BODY, CAP	1	
3	J10-24612-00-00	GASKET, CAP	1	
4	J10-24461-00-00	PIPE, JOINT	1	
5	J10-21773-00-00	GROMMET	1	
6	J10-24311-00-00	PIPE, FUEL 1	1	
7	90468-04092-00	CLIP	1	299~
	90468-04092-00	CLIP	2	
8	J10-21744-00-00	BREATHER	1	
9	J10-21773-00-00	GROMMET	1	
10	J17-85710-01-00	FUEL LVL GAUGE ASSEMBLY ASS'Y (J17-85710-00)	1	
11	90445-11182-00	HOSE	1	
12	90467-11009-00	CLIP	2	
13	809-24560-01-00	FILTER ASSEMBLY	1	
14	90467-11009-00	CLIP	2	705~
	90467-11009-00	CLIP	2	
15	90501-08486-00	SPRING, COMPRESSION	1	705~
	90501-08486-00	SPRING, COMPRESSION	2	
16	J10-24366-00-00	CLAMP, FUEL PIPE 1	2	
17	90445-11288-00	HOSE	1	705~
18	90445-11394-00	HOSE	1	
	J10-24313-00-00	PIPE 3	1	705~
19	90461-04011-00	CLAMP	3	705~
20	98580-05012-00	SCREW, PAN HEAD	3	705~
21	92990-05100-00	WASHER, SPRING	3	705~

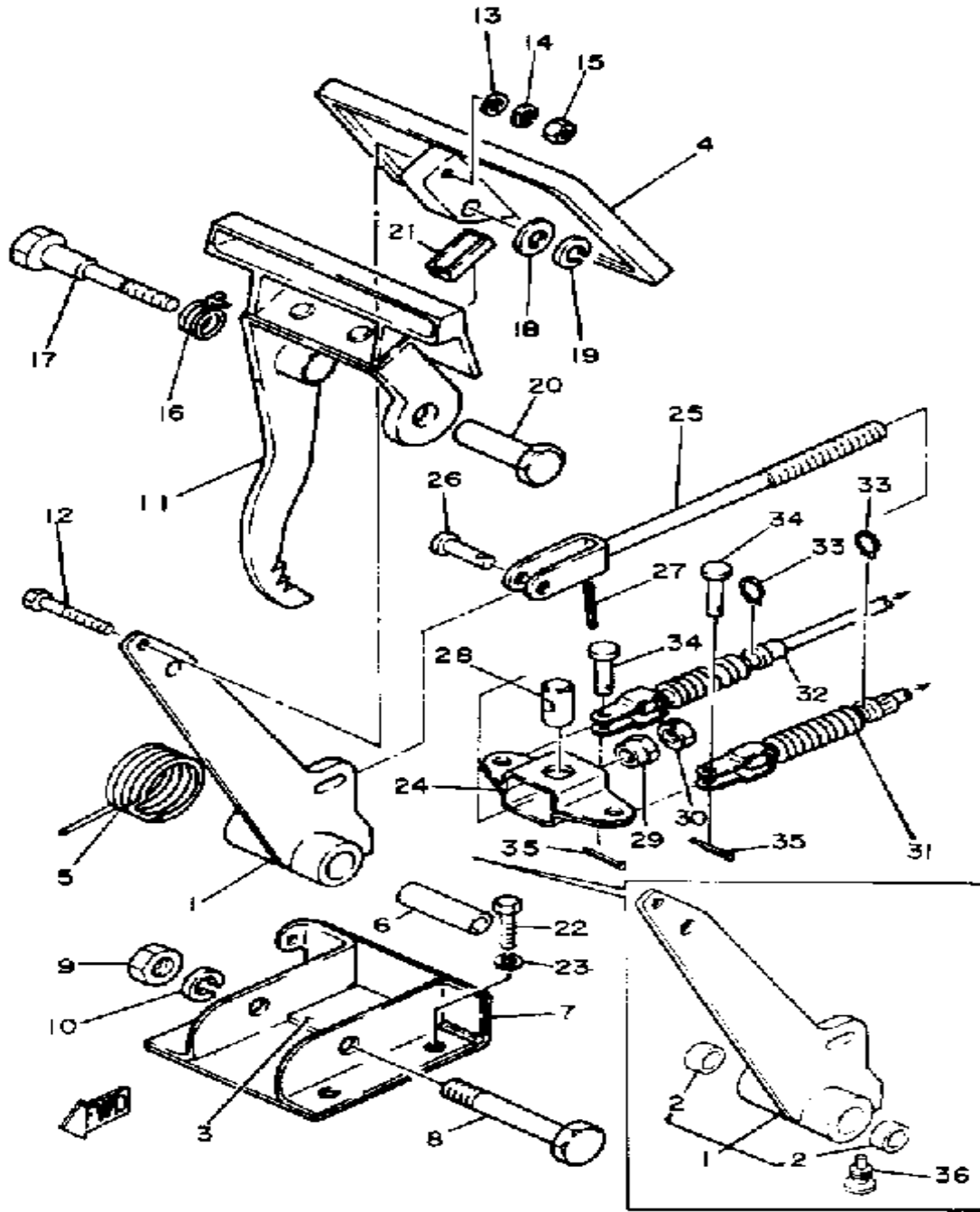
CONTINUED ON NEXT FRAME ►

FUEL TANK



Ref. No.	Part Number	Description	Qty	Remarks
22	92901-05600-00	WASHER, PLATE	3	705~
23	90445-11491-00	HOSE	1	705~
24	90467-11009-00	CLIP	2	705~
25	J10-24410-00-00	FUEL PUMP ASSEMBLY	1	
	J10-24410-02-00	FUEL PUMP ASSEMBLY	1	392~ SEE NOTE
26	98580-06018-00	SCREW, PAN HEAD	2	
27	92995-06100-00	WASHER, SPRING	2	
28	90445-09069-00	HOSE	1	
29	90467-08017-00	CLIP	2	
30	90445-10449-00	HOSE	1	
31	90467-09006-00	CLIP	2	
32	J17-24173-00-00	BAND, TNK FITTING 1	2	
33	90201-08107-00	WASHER, PLATE	2	
34	95611-08100-00	NUT, U	2	
35	663-24251-00-00	STRAINER 1	1	

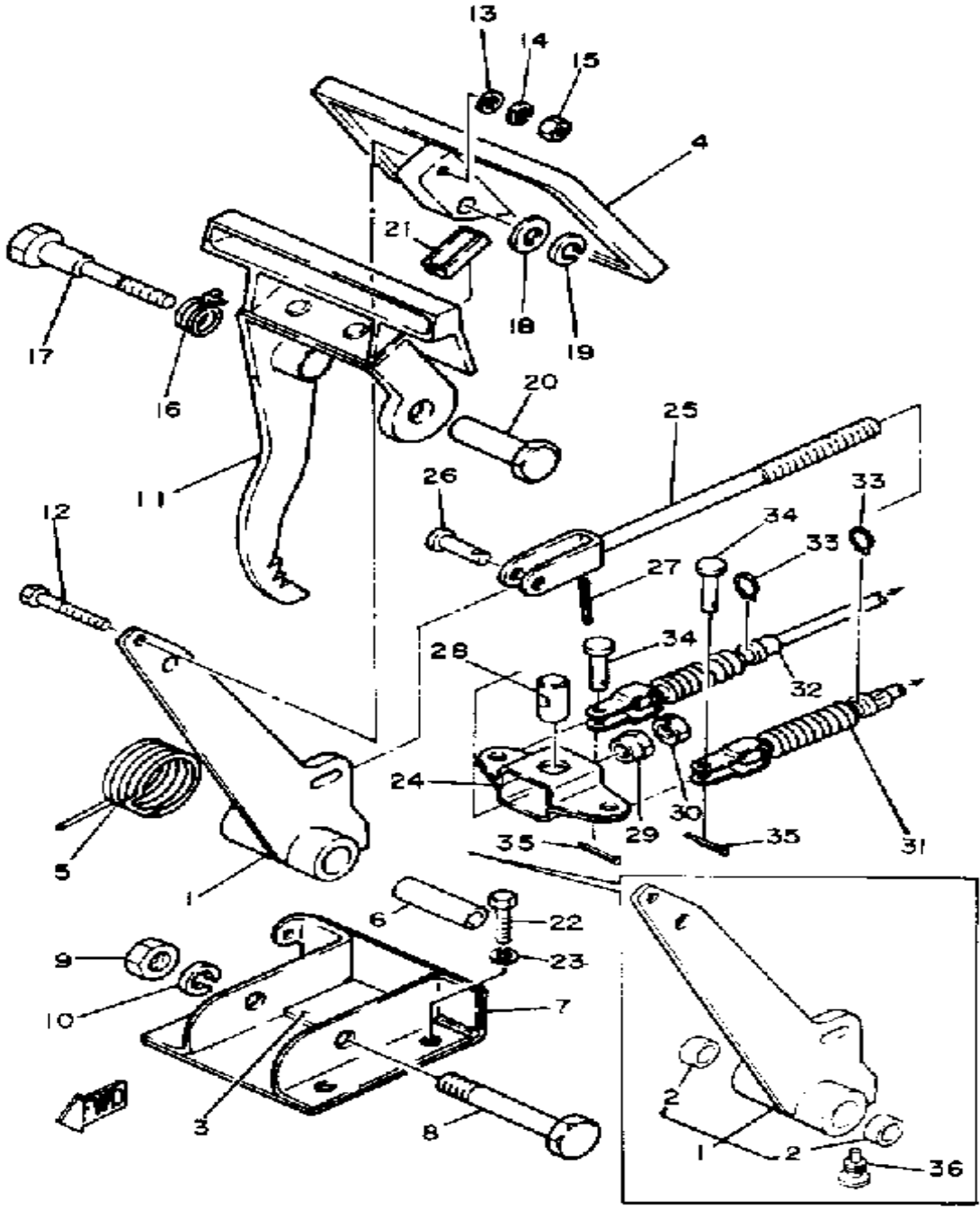
BRAKE



Ref. No.	Part Number	Description	Qty	Remarks
1	J10-27250-00-00	BRAKE ARM CMPLT (J10-27250-01)	1	
2	90384-12078-00	. BUSH, BIMETAL FORM	2	
3	J10-27245-00-00	PAD, BRAKE PEDAL	1	705~
4	J10-27211-00-00	PEDAL, BRAKE	1	
5	90508-40384-00	SPRING, TORSION	1	
6	90387-10684-00	COLLAR	1	
7	J10-25654-00-00	BRACKET, PEDAL	1	
8	90101-10447-00	BOLT, HEX.	1	
9	95601-10100-00	NUT, U (95602-10100-00)	1	
10	92990-10100-00	WASHER, SPRING	1	
11	J10-25670-01-00	PARKING PEDAL CMPL (J10-25670-00)	1	
12	97021-06030-00	BOLT	1	
13	92990-06200-00	WASHER	1	
14	92995-06100-00	WASHER, SPRING	1	
15	95380-06600-00	NUT	1	
16	90508-23497-00	SPRING, TORSION (90508-20383)	1	
17	90109-08506-00	BOLT	1	
18	92990-08200-00	WASHER, PLAIN	1	
19	92990-08100-00	WASHER	1	
20	90179-08378-00	NUT	1	
21	J10-25679-00-00	DAMPER	1	
22	97313-06016-00	BOLT, HEXAGON	4	
23	92995-06100-00	WASHER, SPRING	4	
24	J10-25681-00-00	EQUALIZER, BRAKE	1	
25	J10-25685-00-00	ROD	1	
26	91701-10022-00	PIN	1	
27	91490-30020-00	PIN, COTTER	1	

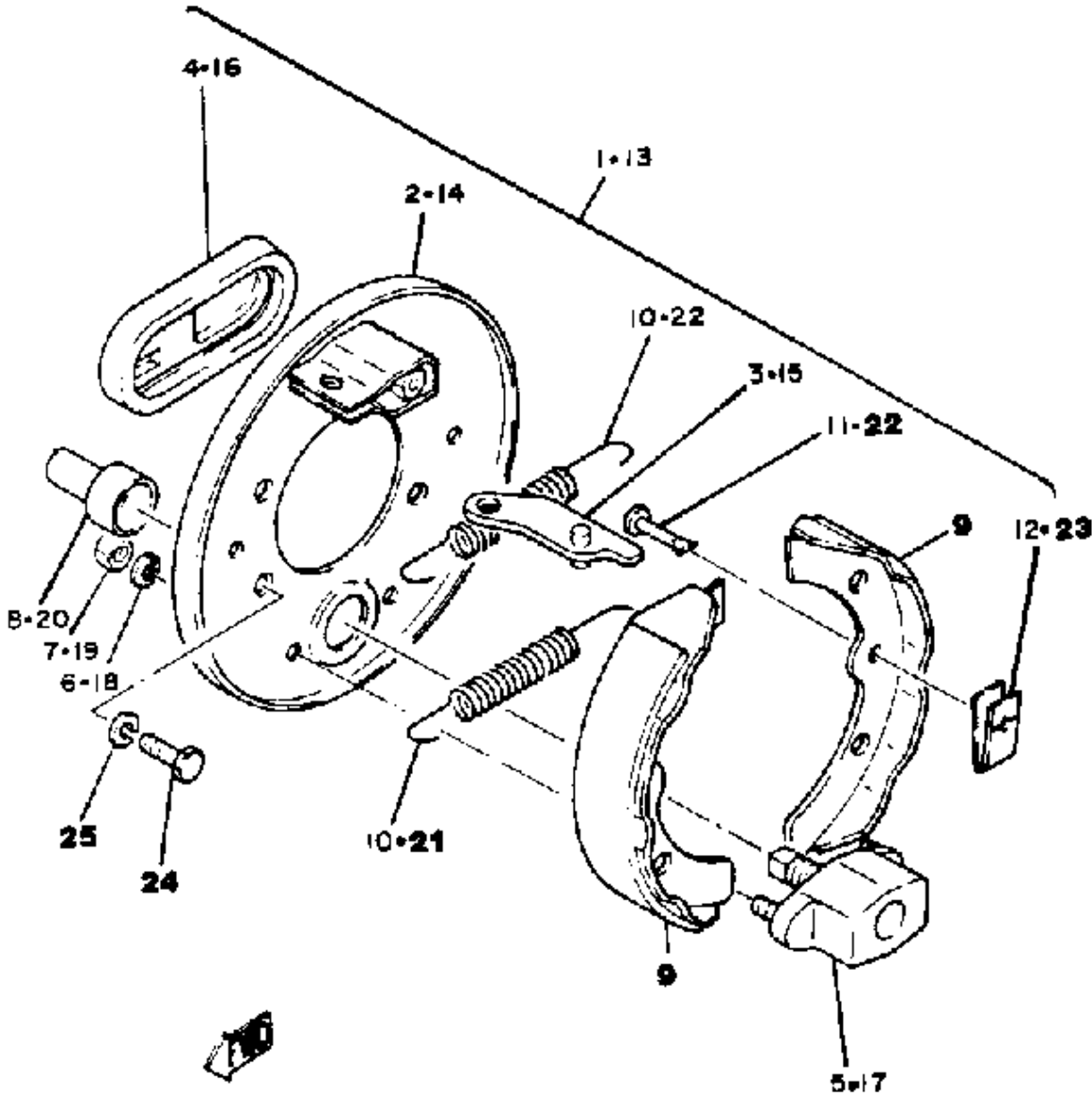
CONTINUED ON NEXT FRAME ►

BRAKE



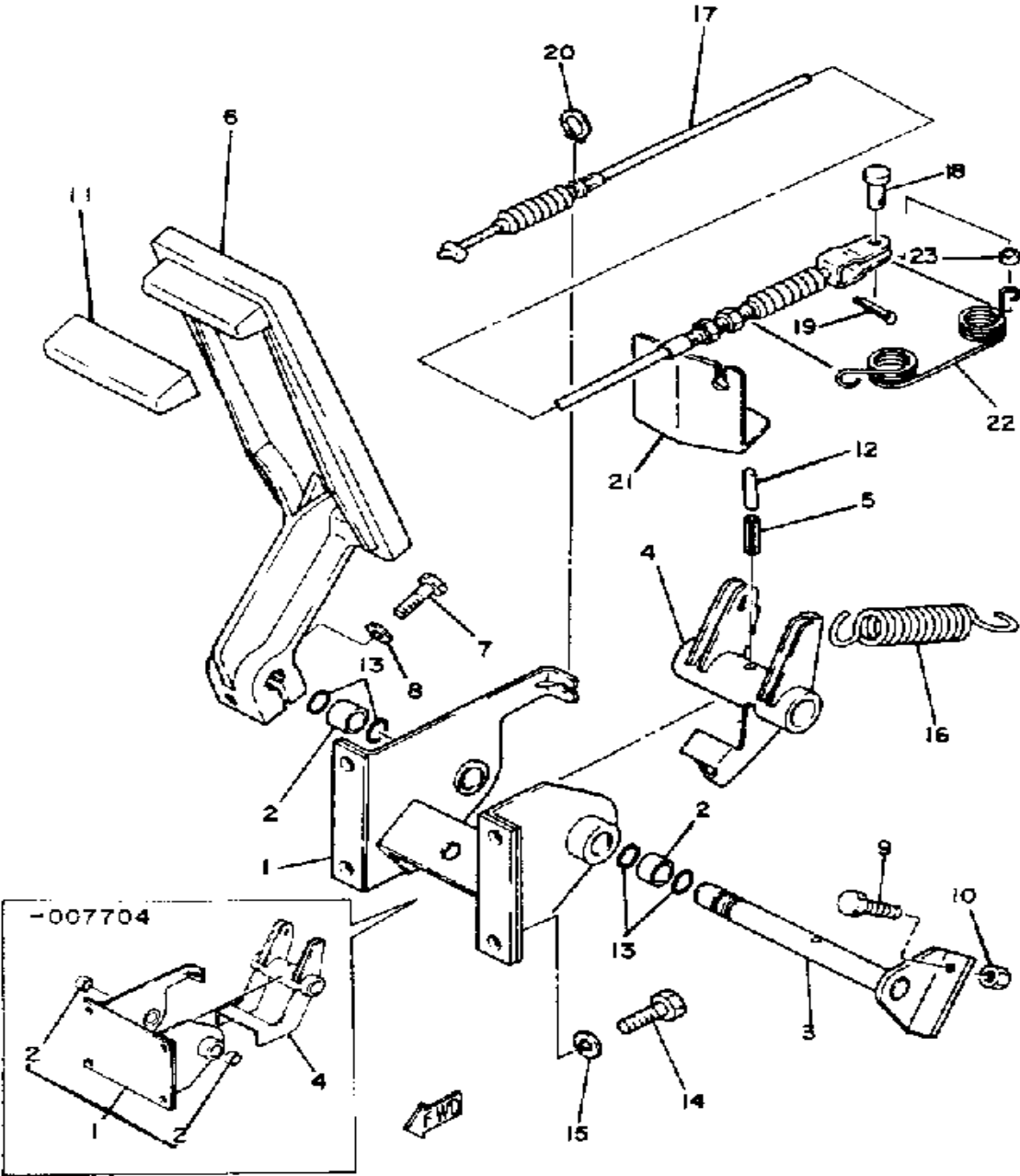
Ref. No.	Part Number	Description	Qty	Remarks
28	90249-14129-00	PIN	1	
29	90179-08261-00	NUT	1	
30	95303-08700-00	NUT	1	
31	J56-F6341-01-00	UNAVAILABLE IN PRICE BOOK	1	
32	J10-26351-01-00	CABLE, BRAKE	1	
33	99001-09600-00	CIRCLIP	4	
34	91701-08018-00	PIN	4	
35	91490-25020-00	PIN, COTTER	4	
36	90480-05201-00	GROMMET	1	

BRAKE 2



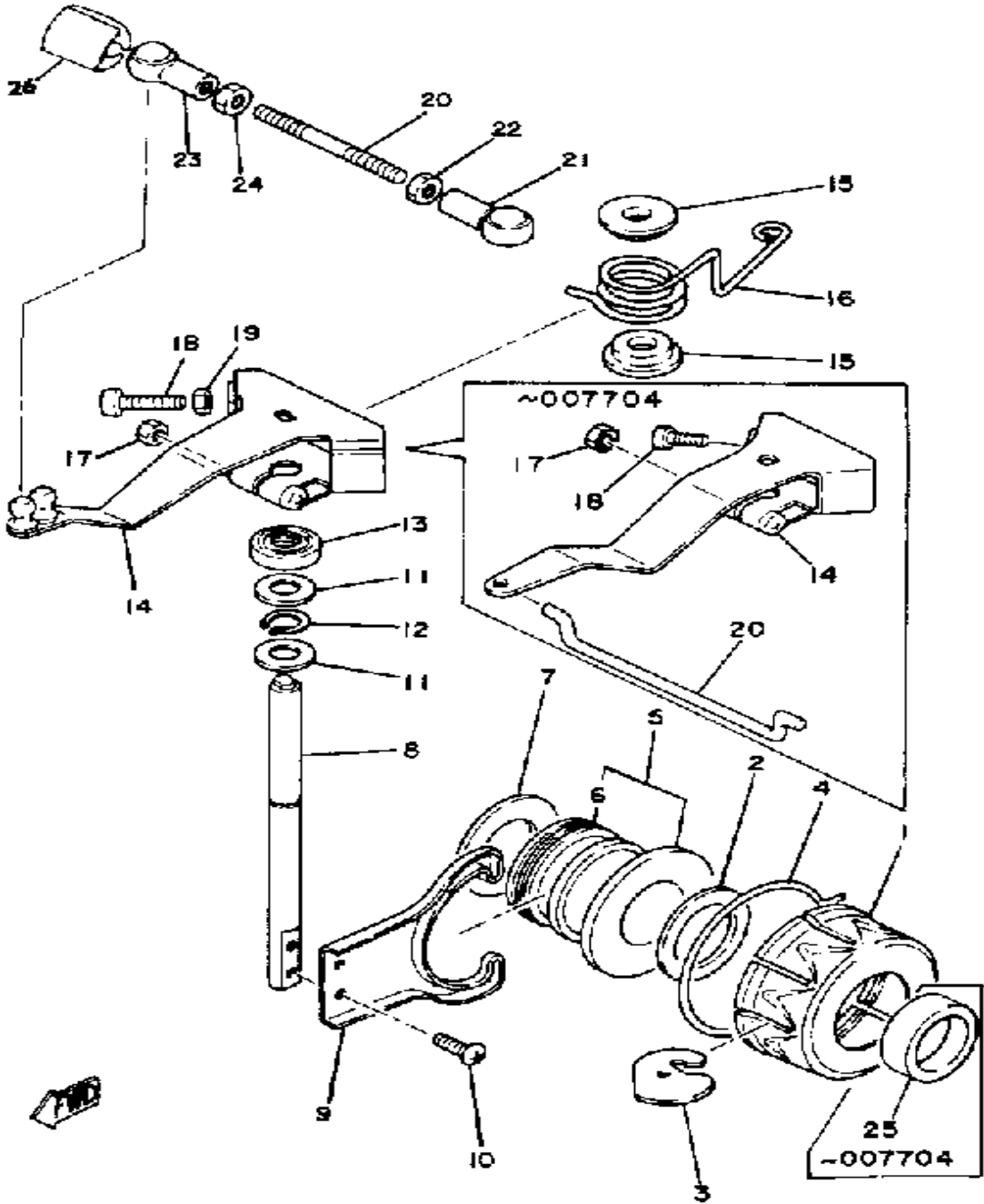
Ref. No.	Part Number	Description	Qty	Remarks
1	J17-27280-01-00	BACKING PLT ASSEMBLY 1 ..	1	
2	J10-27208-01-00	. BCKG PLT SUB ASSEMBLY 1	1	035~
3	J10-27207-00-00	. BRAKE LEVER	1	
4	J10-27286-00-00	. COVER, DUST	1	
5	J10-27270-00-00	. ADJUSTER ASSEMBLY	1	
6	92995-06100-00	. WASHER, SPRING	2	
7	95380-06600-00	. NUT	2	
8	J10-27285-00-00	. CAP	1	
9	J10-W2536-00-00	. BRAKE SHOE SET	2	
10	90506-26191-00	. SPRING, TENSION	2	
11	J10-27282-00-00	. PIN, SHOE HOLD DOWN	2	
12	J10-27281-00-00	. SPRING, SHOE CLAMP	2	
13	J17-27290-01-00	BACKING PLT ASSEMBLY 2 ..	1	
14	J10-27209-01-00	. BCKG PLT SUB ASSEMBLY 2	1	
15	J10-27207-00-00	. BRAKE LEVER	1	
16	J10-27286-00-00	. COVER, DUST	1	
17	J10-27270-00-00	. ADJUSTER ASSEMBLY	1	
18	92995-06100-00	. WASHER, SPRING	2	
19	95380-06600-00	. NUT	2	
20	J10-27285-00-00	. CAP	1	
21	90506-26191-00	. SPRING, TENSION	2	
22	J10-27282-00-00	. PIN, SHOE HOLD DOWN	2	
23	J10-27281-00-00	. SPRING, SHOE CLAMP	2	
24	97313-08016-00	BOLT, HEXAGON	8	
25	92990-08100-00	WASHER	8	

ACCELERATOR



Ref. No.	Part Number	Description	Qty	Remarks
1	J10-27870-00-00	BRKT, ACCLTR PEDALBRACKET COMP	1	
	J10-27874-01-00	BRKT, ACCLTR PEDAL	1	705~
2	90384-14079-00	. BUSH, BIMETAL FORM	2	
	90384-14080-00	BUSH, BIMETAL	2	705~
3	J10-27853-02-00	SHAFT, PEDAL 1	1	
4	J10-27872-00-00	ARM, ACCLTR PEDAL	1	
	J17-27872-00-00	ARM, ACCLTR PEDAL	1	705~
5	91609-60025-00	PIN, SPRING	1	
6	JF3-27871-00-00	PEDAL, ACCELERATOR	1	
7	97011-06025-00	BOLT (97001-06025)	1	
8	92995-06100-00	WASHER, SPRING	1	
9	90106-06042-00	BOLT, DOME HEAD (90101-06422)	1	
10	95380-06700-00	NUT	1	
11	J10-27852-00-00	CUP 1	1	
12	91609-35028-00	PIN, SPRING	1	
13	93210-14104-00	O-RING	4	705~
14	97301-06014-00	BOLT, HEXAGON	4	
15	92995-06100-00	WASHER, SPRING	4	
16	90506-29187-00	SPRING, TENSION	1	
17	J17-26311-00-00	CABLE, THROTTLE 1	1	
18	91701-05010-00	PIN, CYLINDER. HEAD	1	
	91702-05012-00	PIN	1	766~
19	91490-16020-00	. PIN, COTTER	1	
20	99080-07600-00	CIRCLIP (E)	1	
21	J10-27981-00-00	BRACKET, THROTTLE	1	
22	90508-16460-00	SPRING, TORSION	1	766~
23	90560-05001-00	SPACER	1	766~

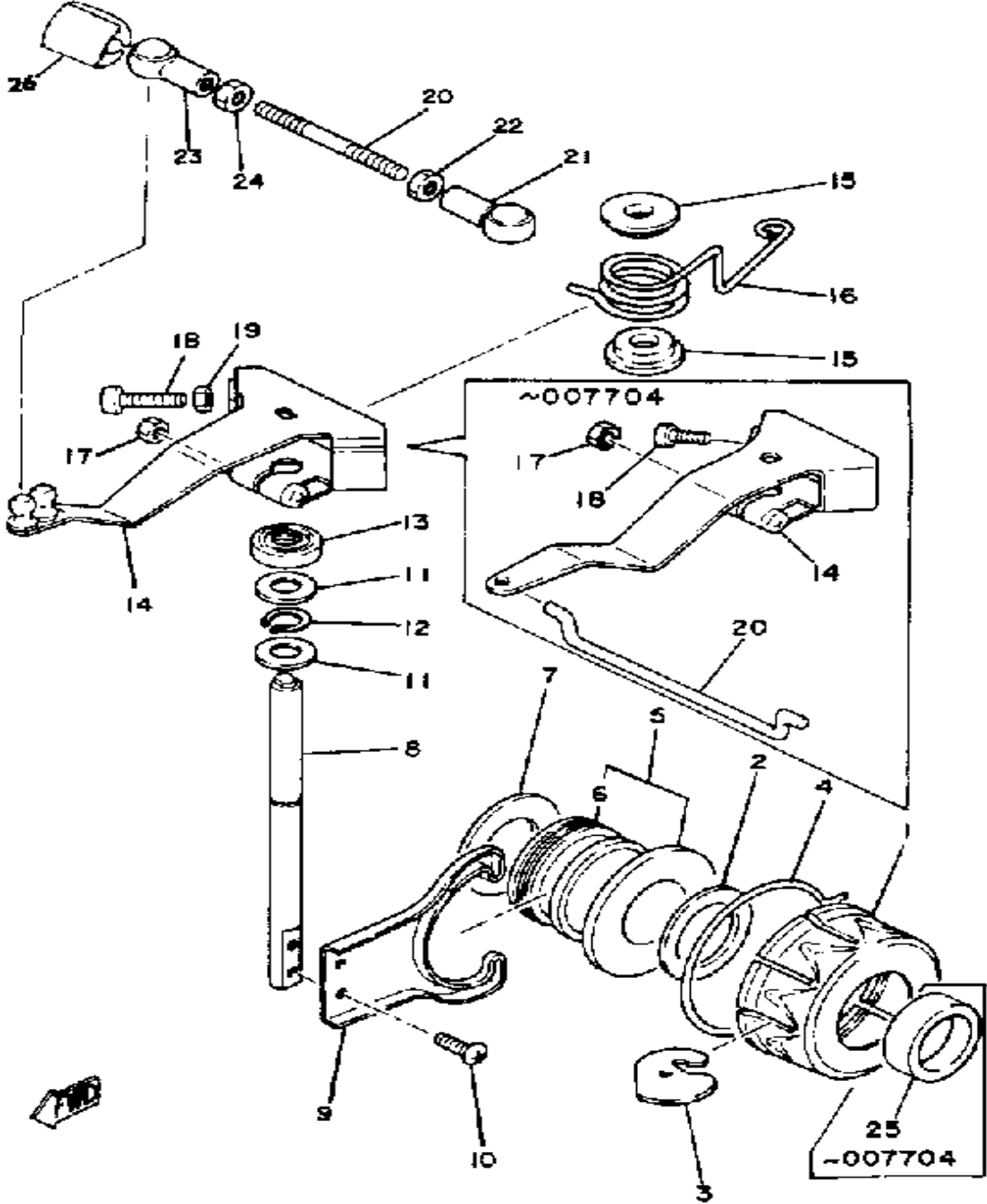
GOVERNOR



Ref. No.	Part Number	Description	Qty	Remarks
1	J10-27912-00-00	RETAINER	1	
2	90387-21690-00	COLLAR	1	
3	J10-27913-00-00	WEIGHT	8	
4	J10-27911-00-00	HOLDER	1	
5	J10-27927-00-00	LIFTER	1	
6	93342-22502-00	BEARING, THRUST	1	
7	90201-20275-00	WASHER, PLATE	1	
8	J10-27921-00-00	SHAFT, GOVERNOR	1	
	J10-27921-01-00	SHAFT, GOVERNOR	1	705~
9	J10-27922-00-00	FORK, GOVERNOR	1	
10	98580-04008-00	SCREW, PAN HEAD	2	
11	90202-08110-00	WASHER, PLATE	2	
12	99009-06600-00	CIRCLIP	1	
13	93109-08050-00	OIL SEAL	1	
14	J10-27951-00-00	LEVER, SPEED LMTR	1	
	J10-27951-01-00	LEVER, SPEED LMTR	1	705~
15	90385-08034-00	BUSH, SPEC'L RUBBER	2	
16	90508-35397-00	SPRING, TORSION	1	
	90508-40398-00	SPRING, TORSION	1	
17	95380-06600-00	NUT	1	
18	J10-27959-00-00	SCREW, ADJUSTING	1	
19	95311-05700-00	NUT	1	891~
20	J10-14836-00-00	ROD	1	705~
	J10-27979-00-00	ROD, THROTTLE	1	
21	J10-14833-00-00	JOINT 0 1	1	705~
22	95311-05700-00	NUT	1	705~
23	J10-14864-00-00	JOINT 0 1	1	705~
24	90170-05190-00	NUT, HEXAGON	1	705~
25	90387-24691-00	COLLAR	1	

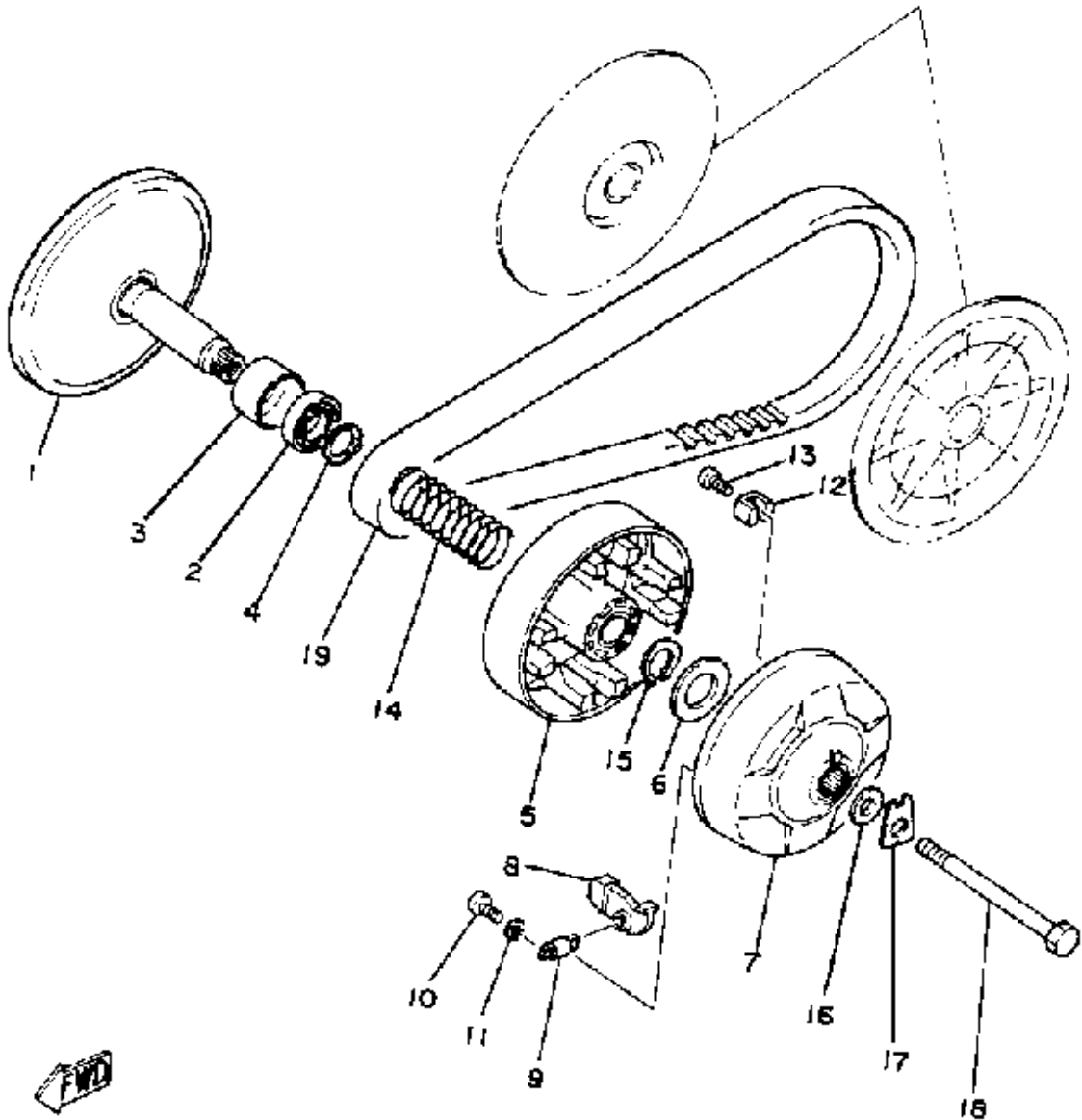
CONTINUED ON NEXT FRAME ➤

GOVERNOR



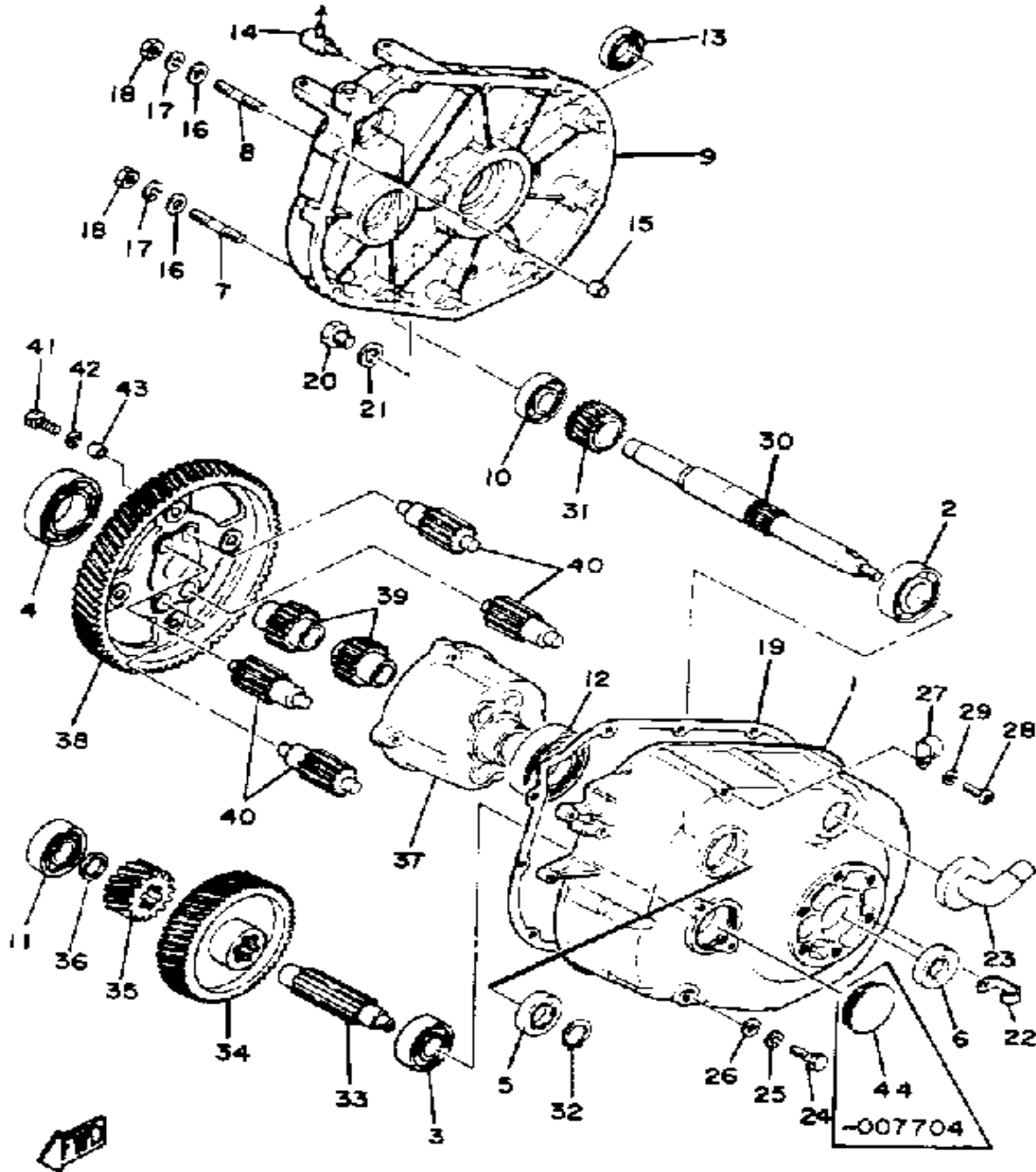
Ref. No.	Part Number	Description	Qty	Remarks
26	90468-05112-00	CLIP	2	

PRIMARY SHEAVE



Ref. No.	Part Number	Description	Qty	Remarks
1	J10-46210-00-00	PRI FIXED SHEAVESHEAVE COMP	1	
2	93306-90601-00	BEARING	1	
3	90387-47686-00	COLLAR	1	
4	J10-46244-00-00	SEAT, SPRING	1	
5	93210-27458-00	. O-RING	2	
	99999-01412-00	PRIM.SLIDE SHEAVECOMP ...	1	
	J10-46220-01-00	. PRI SLDG SHV CMLPTSHEAVE COMP	1	
6	J10-46223-00-00	CAM	1	
7	90202-10129-00	. WASHER, PLATE	8	
	99999-01982-00	PRI SHEAVE CAP (J10-46230-00)	1	
	J17-46230-00-00	. PRI SHEAVE CAPCAP COMP	1	
8	J10-46232-00-00	WEIGHT 1	4	
9	J10-46236-00-00	PIN, WEIGHT	4	
10	98580-05020-00	SCREW, PAN HEAD	8	
11	92990-05100-00	WASHER, SPRING	8	
12	J10-46253-01-00	SLIDER	4	
13	90149-05129-00	SCREW, SPEC'L SHAPE	4	
14	90501-32557-00	SPRING, COMPRESSION	1	
15	99009-28400-00	CIRCLIP	1	
16	90560-12180-00	SPACER	1	
17	90215-13146-00	WASHER, LOCK	1	
18	J10-46249-00-00	BOLT	1	
19	J17-46241-00-00	BELT	1	

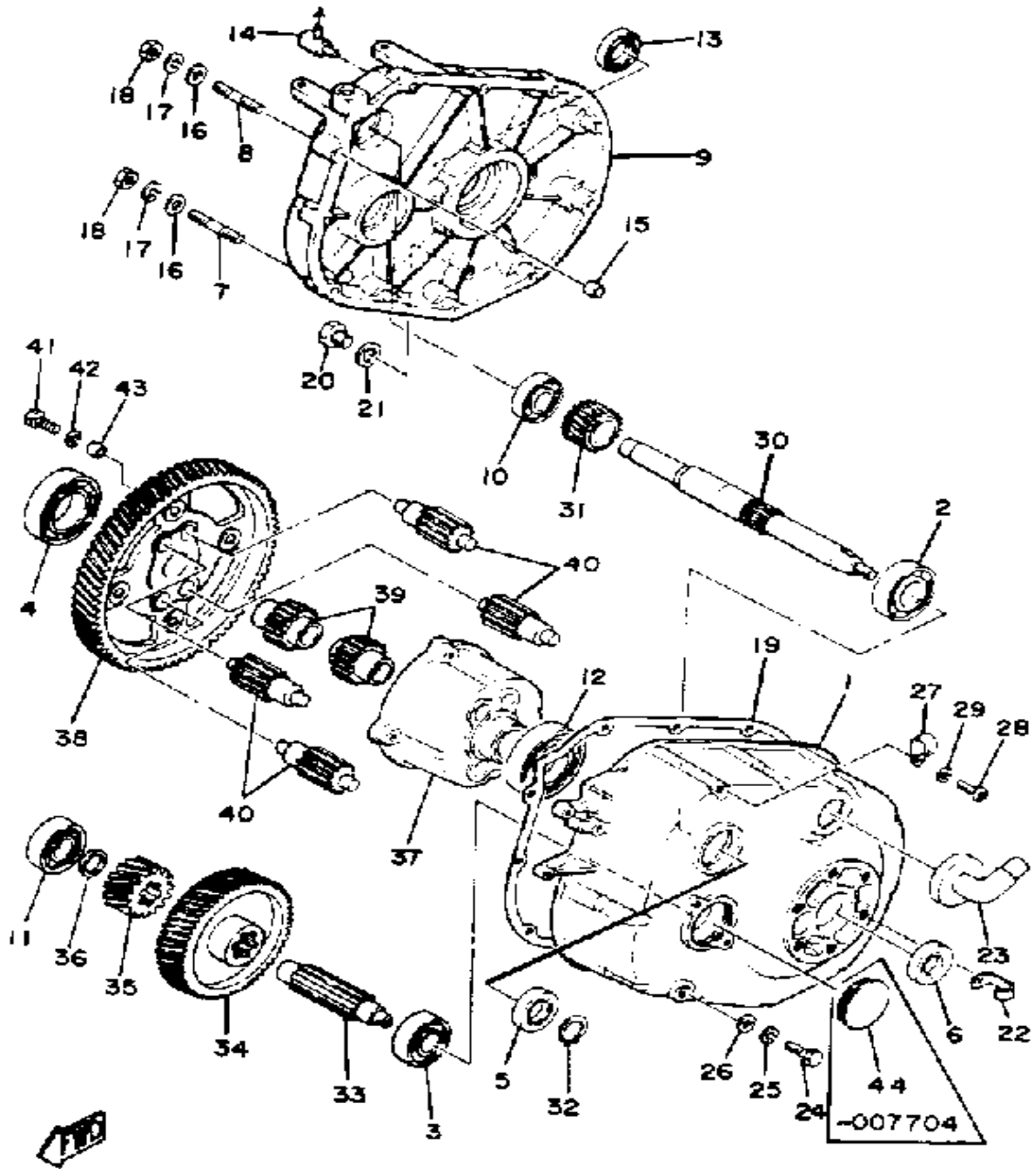
TRANSMISSION



Ref. No.	Part Number	Description	Qty	Remarks
1	J11-46311-00-00	CASE, TRANS 1	1	
2	93306-20529-00	BEARING (B6205C4)	1	
3	93306-20417-00	BEARING (B62042RS)	1	
	93306-20421-00	BEARING	1	705~
4	93306-00803-00	BEARING (B6008)	1	
5	93102-25017-00	OIL SEAL	1	
6	93102-22189-00	OIL SEAL	1	
7	95621-08335-00	BOLT, STUD (95601-08335)	9	
8	95601-08345-00	BOLT, STUD	2	
9	J10-46312-00-00	CASE, TRANS 2	1	
10	93306-20310-00	BEARING	1	
11	93306-20417-00	BEARING (B62042RS)	1	
	93306-20421-00	BEARING	1	705~
12	93306-00803-00	BEARING (B6008)	1	
13	93102-22189-00	OIL SEAL	1	
14	8E4-24461-00-00	PIPE, JOINT	1	
15	99510-12016-00	PIN, DOWEL	2	
16	92901-08600-00	WASHER	11	
17	92990-08100-00	WASHER	11	
18	95333-08600-00	. NUT	11	
19	J10-46319-01-00	GASKET	1	
20	90340-14036-00	PLUG, STRAIGHT SCRW	2	
21	90430-14042-00	GASKET	2	
	90430-14043-00	GASKET	2	305~
22	90465-06100-00	CLAMP	1	
23	835-47559-00-00	CAP 2	1	
24	97011-10020-00	BOLT	2	
25	92990-10100-00	WASHER, SPRING	2	
26	92990-10600-00	WASHER, PLATE	2	

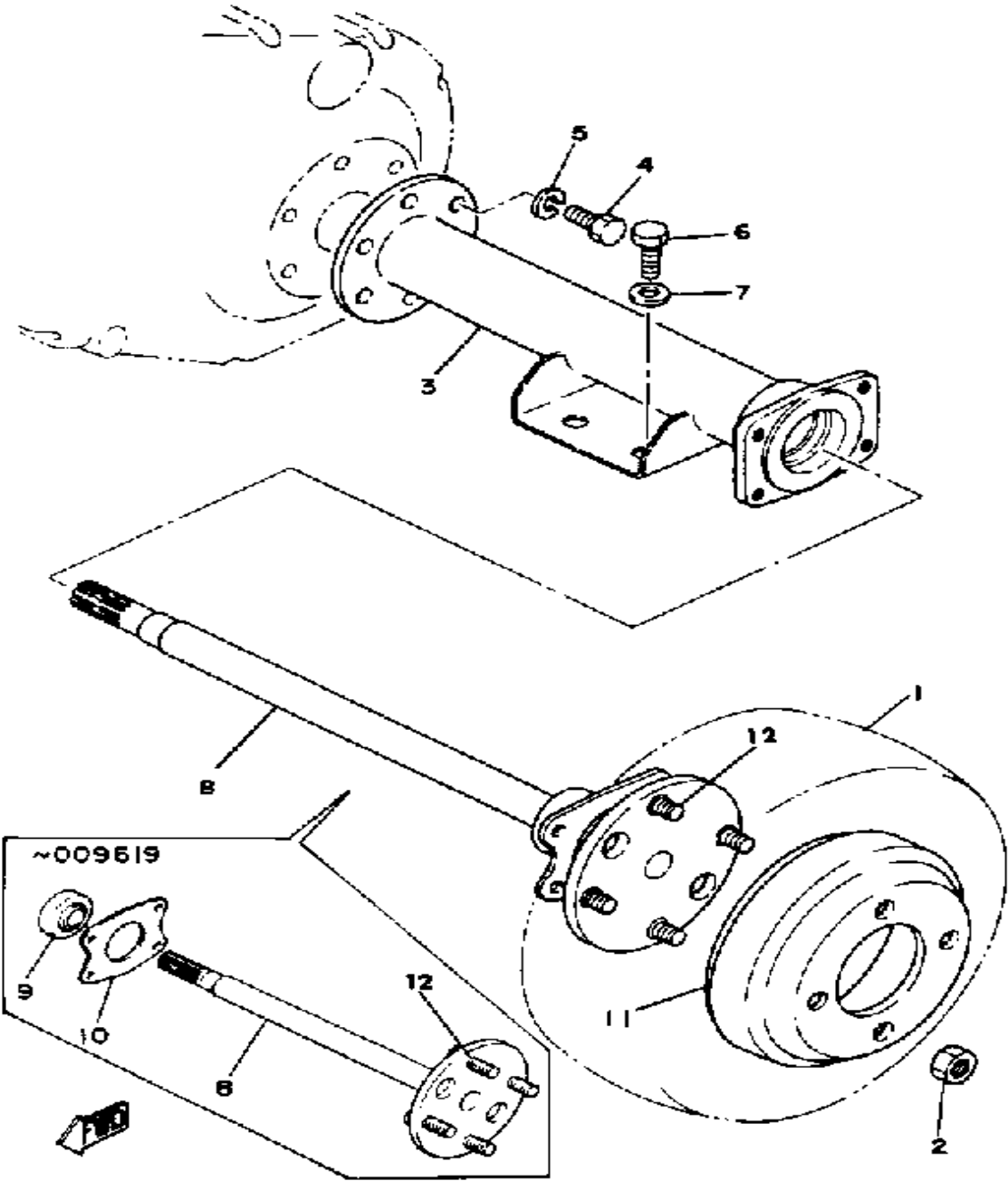
CONTINUED ON NEXT FRAME ➤

TRANSMISSION



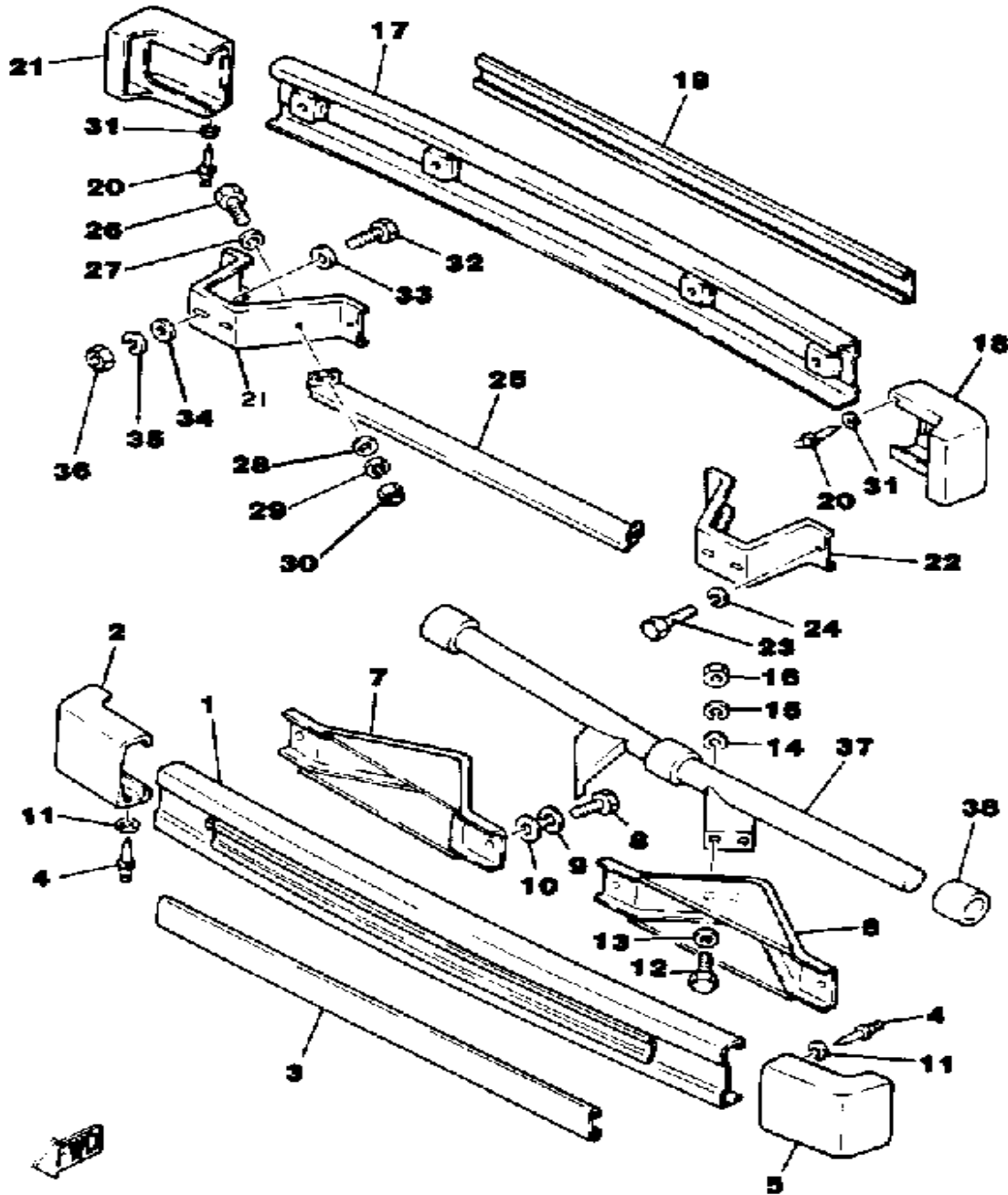
Ref. No.	Part Number	Description	Qty	Remarks
27	90465-08028-00	CLAMP	1	
28	98580-06010-00	SCREW, PAN HEAD (92503-06010)	1	
29	92995-06100-00	WASHER, SPRING	1	
30	J10-46321-00-00	SHAFT, INPUT	1	
31	J10-46331-02-00	GEAR, IMPUT 1	1	
32	93410-25017-00	CIRCLIP	1	
33	J10-46351-00-00	SHAFT, COUNTER	1	
34	J10-46361-02-00	GEAR, COUNTER 1	1	
35	J10-46362-02-00	GEAR, COUNTER 2	1	
	ϕJ1-04636-20-00	UNAVAILABLE IN PRICE BOOK	1	
36	90201-20272-00	WASHER, PLATE	1	
37	J10-W4641-00-00	CASE, DIFFERENTIAL	1	
38	J10-W4642-00-00	GEAR, RING	1	
	J10-W4642-02-00	GEAR, RING	1	735~
39	J10-46414-00-00	GEAR, DIFF SIDE	2	
40	J10-46415-00-00	PINION, DIFF	4	
41	97313-08030-00	BOLT, HEXAGON	4	
42	92990-08100-00	WASHER	4	
43	99510-10114-00	PIN, DOWEL	2	
44	810-47552-00-00	CAP	1	

REAR AXLE-WHEEL



Ref. No.	Part Number	Description	Qty	Remarks
1	*---	FRONT WHEEL ASSEMBLY	2	ML
2	90179-12262-00	NUT	8	
3	J10-46540-00-00	R.AXLE HOUSING 1COMP	2	
4	97013-08025-00	BOLT	12	
5	92990-08100-00	WASHER	12	
6	97011-10020-00	BOLT	8	
7	92990-10100-00	WASHER, SPRING	8	
8	J17-46510-01-00	REAR AXLE SHAFT 1	2	
9	93306-20509-00	BEARING (B6205) (93306-20525) 0 1	2	
10	J10-46513-00-00	RETAINER 0 1	2	
11	J10-46521-00-00	DRUM	2	
12	90114-12004-00	BOLT, RIBBED NECK	8	

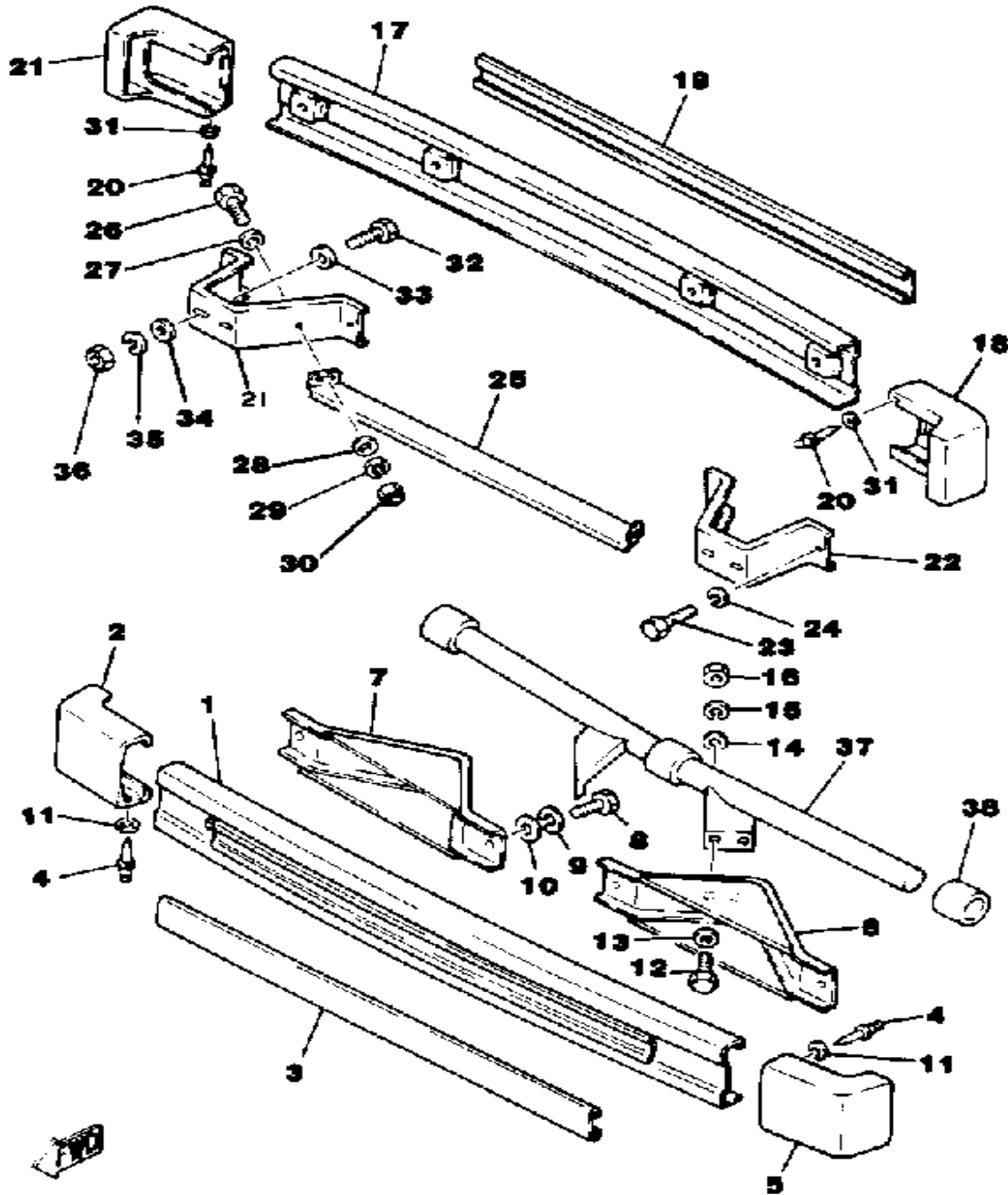
BUMPER



Ref. No.	Part Number	Description	Qty	Remarks
1	90267-40M00-00	RIVET, BLIND	4	
	92906-04200-00	WASHER, PLAIN	4	
	99999-01087-00	FRNT BUMPER ASSEMBLY	1	CHROME PLATED
	J10-78106-09-00	BUMPER SB/ASSEMBLY, FRT (J10-78106-02-93)	1	705~ CHROME PLATED
	J10-78162-01-00	PAD, FRONT BUMPER	1	
2	J10-78167-01-00	BUMPER, RUBBER 1	1	
3	J10-78162-01-00	PAD, FRONT BUMPER	1	
4	90267-40077-00	RIVET, BLIND	8	542~
	90267-40M00-00	RIVET, BLIND	4	
5	J10-78168-01-00	BUMPER, RUBBER 2	1	
6	J42-78164-00-00	STAY, FRT BUMPER 1 (J17-78165-00)	1	
7	J42-78165-00-00	STAY, FRT BUMPER 2 (J17-78165-00)	1	
8	97313-08016-00	BOLT, HEXAGON	4	
9	92990-08100-00	WASHER	4	
10	92901-08600-00	WASHER	4	
11	90201-04325-00	WASHER, PLATE	8	
	92906-04200-00	WASHER, PLAIN	4	008~
12	97013-08025-00	BOLT	4	922~
	97313-08020-00	BOLT, HEXAGON	4	
13	92901-08600-00	WASHER	4	
14	90201-085E6-00	WASHER PLATE	4	922~
	92990-08200-00	WASHER, PLAIN	4	
15	92990-08100-00	WASHER	4	
16	95333-08600-00	. NUT	4	
17	90267-40M00-00	RIVET, BLIND	4	
	92906-04200-00	WASHER, PLAIN	4	

CONTINUED ON NEXT FRAME ►

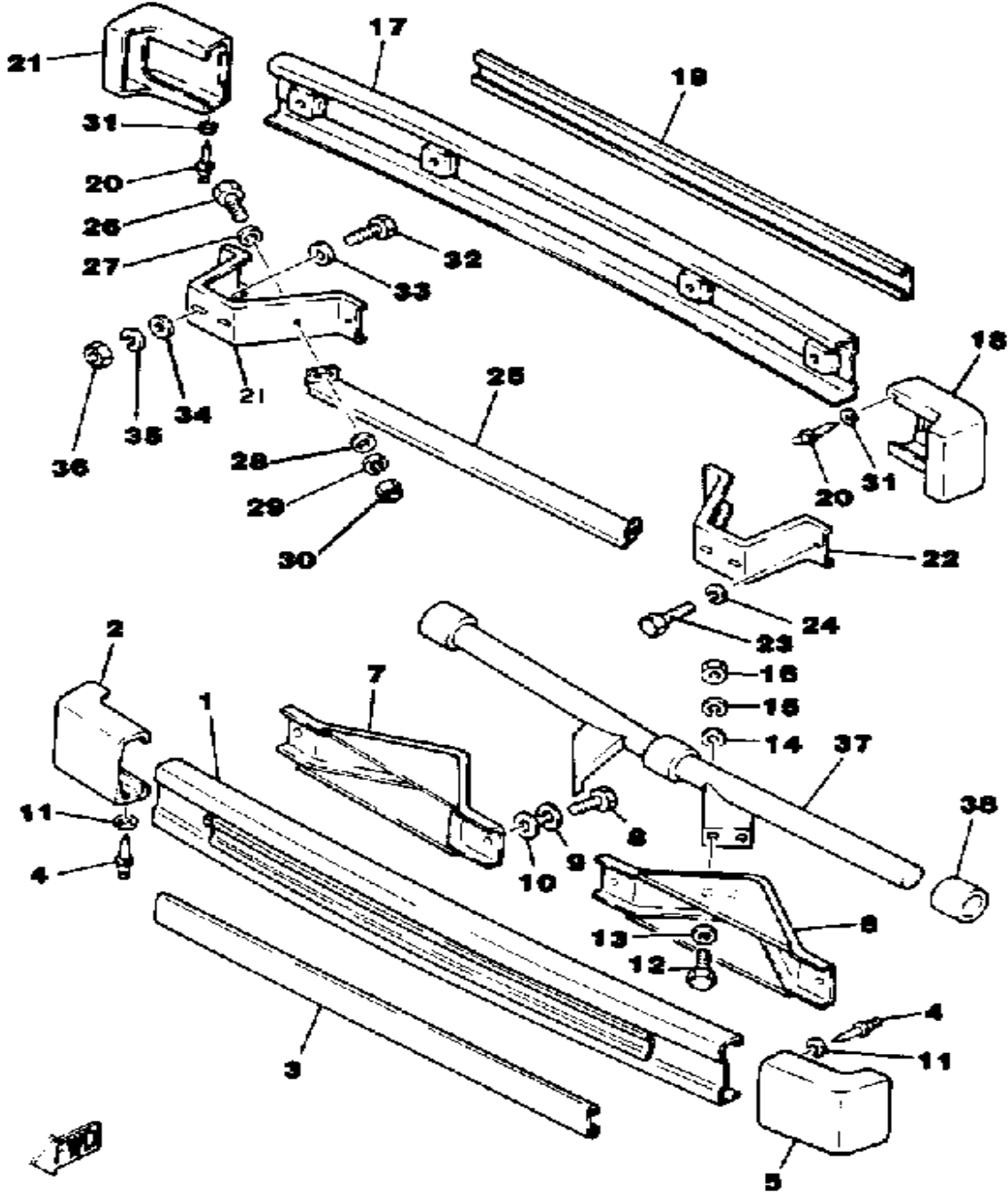
BUMPER



Ref. No.	Part Number	Description	Qty	Remarks
17	99999-01088-00	REAR BUMPER ASSEMBLY (J10-78107-00-93)	1	CHROME PLATED
	J10-78107-09-00	BUMPER SB/ASSEMBLY, RR (J10-78107-02-93)	1	705~ CHROME PLATED
	J10-78162-01-00	PAD, FRONT BUMPER	1	
	J42-78174-00-00	STAY, REAR BUMPER (J10-78174-01)	2	
18	J10-78167-01-00	BUMPER, RUBBER 1	1	
19	J10-78162-01-00	PAD, FRONT BUMPER	1	
20	90267-40077-00	RIVET, BLIND	8	542~
	90267-40M00-00	RIVET, BLIND	4	
21	J10-78168-01-00	BUMPER, RUBBER 2	1	
22	J10-78174-00-00	STAY, REAR BUMPER	2	
	J42-78174-00-00	STAY, REAR BUMPER (J10-78174-01)	2	705~
23	97313-08016-00	BOLT, HEXAGON	4	
24	92990-08100-00	WASHER	4	
25	J10-78179-00-00	PLATE, EXTENSION	1	
26	97011-08016-00	BOLT	2	
27	92901-08600-00	WASHER	2	
28	92990-08200-00	WASHER, PLAIN	2	
29	92990-08100-00	WASHER	2	
30	95303-08800-00	NUT (CROWN) (95301-08800)	2	
31	90201-04325-00	WASHER, PLATE	8	
	92906-04200-00	WASHER, PLAIN	4	008~
32	97313-08020-00	BOLT, HEXAGON	4	
33	92901-08600-00	WASHER	4	
34	92990-08200-00	WASHER, PLAIN	4	
35	92990-08100-00	WASHER	4	

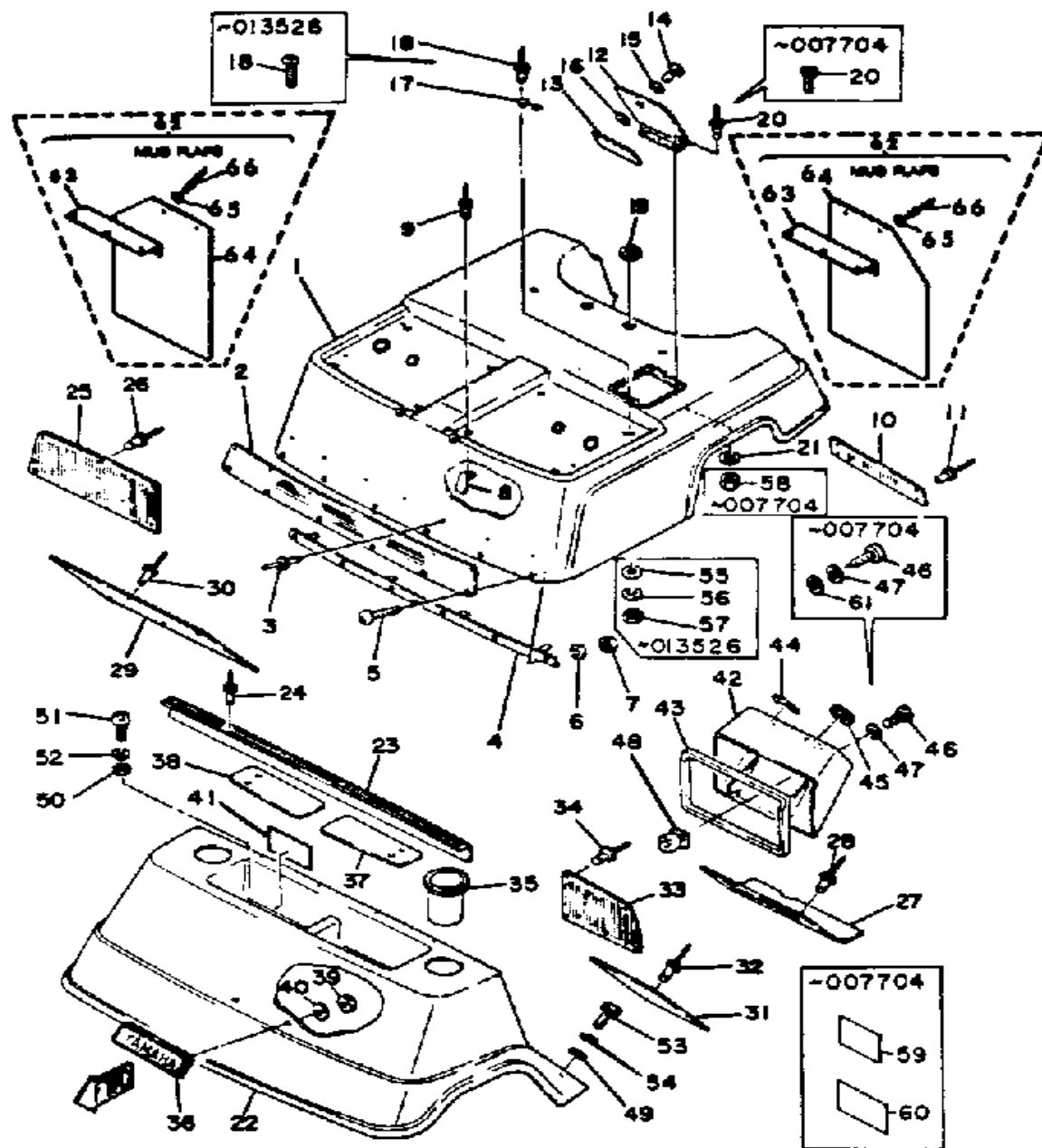
CONTINUED ON NEXT FRAME ►

BUMPER



Ref. No.	Part Number	Description	Qty	Remarks
36	95333-08600-00	. NUT	4	
37	J10-78122-00-00	REINFORCEMENT 2	1	922~
38	90-38737-5A-10	UNAVAILABLE IN PRICE BOOK 0 3	3	922~

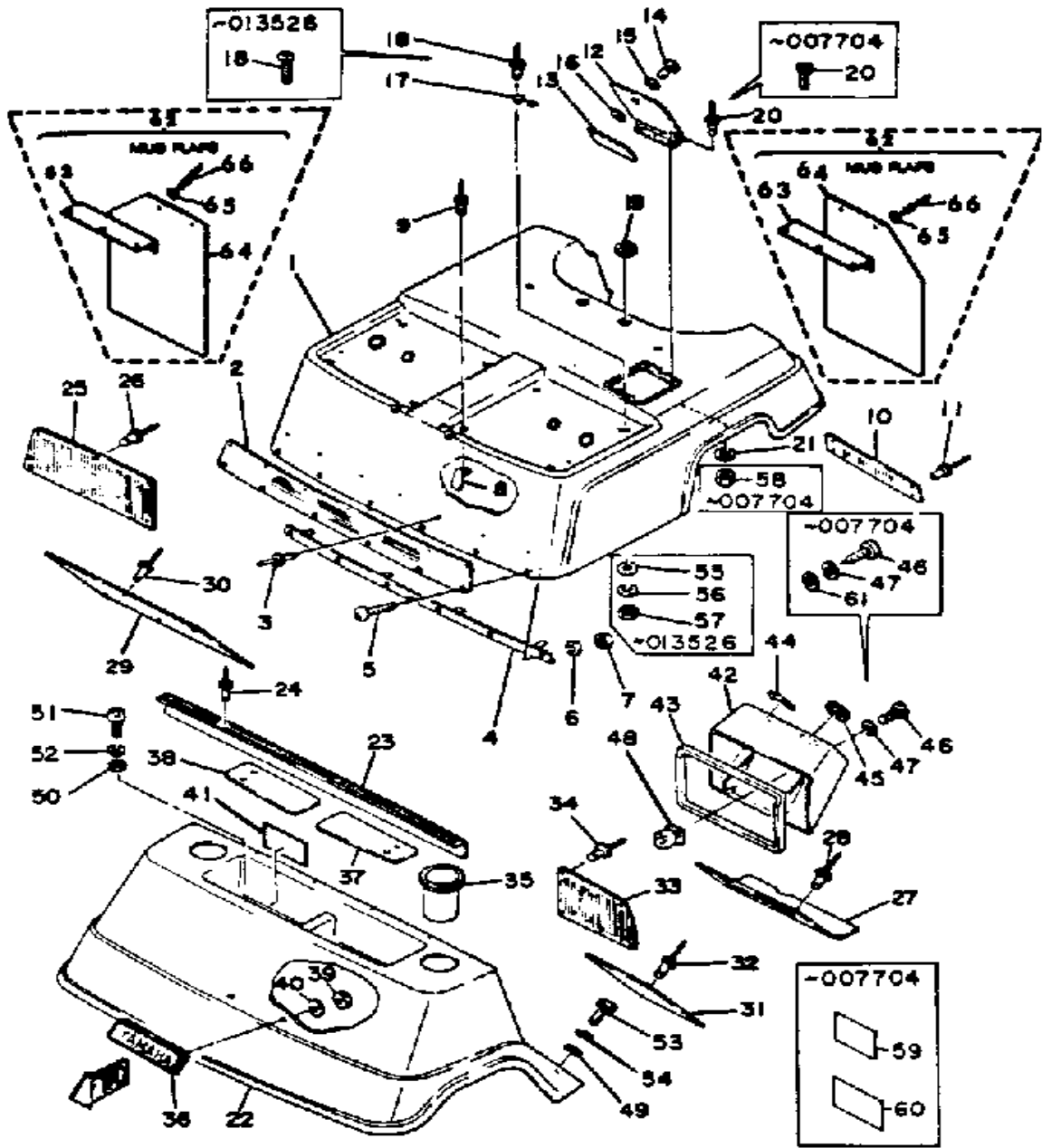
BODY PANEL-REAR MUD FLAP



Ref. No.	Part Number	Description	Qty	Remarks
23	J10-77165-01-00	TRIM 1	1	565~
24	90267-40029-00	RIVET, BLIND	8	
	90267-63047-00	RIVET, BLIND	11	565~
25	J10-78117-00-00	PLATE 1	1	
	J10-78117-10-00	PLATE 1	1	705~
26	90267-40054-00	RIVET, BLIND	5	
27	J10-78118-00-00	PLATE 2	1	
	J10-78118-01-00	PLATE 2	1	705~
28	90267-40054-00	RIVET, BLIND	4	
29	J10-78232-00-00	MAT, MAIN FLOOR 2	1	
30	90267-63047-00	RIVET, BLIND	7	
31	J10-78233-00-00	MAT, MAIN FLOOR 3	1	
32	90267-63047-00	RIVET, BLIND	6	
33	J10-78147-00-00	PLATE 5	1	705~
34	90267-40M00-00	RIVET, BLIND	4	705~
35	J10-78359-00-00	HOLDER 3	2	
36	J10-78291-00-00	EMBLEM 1	1	
37	J10-77151-01-00	PAD 1	1	
38	J10-77152-01-00	PAD 2	1	
39	95701-05300-00	. NUT, NYLON	2	
40	92990-05200-00	WASHER, PLAIN	2	
41	J10-77768-00-00	LABEL, WARNING	1	705~
42	J10-77711-00-00	PANEL, INSTRUMENT	1	
43	J10-78245-00-00	SEAL 1	1	
44	J10-77741-00-00	INDICATOR 1	1	
45	90480-48243-00	GROMMET	1	
46	97780-50130-00	SCREW, TAPPING	2	
47	90201-05029-00	WASHER, PLATE	2	
48	90480-07241-00	GROMMET	2	

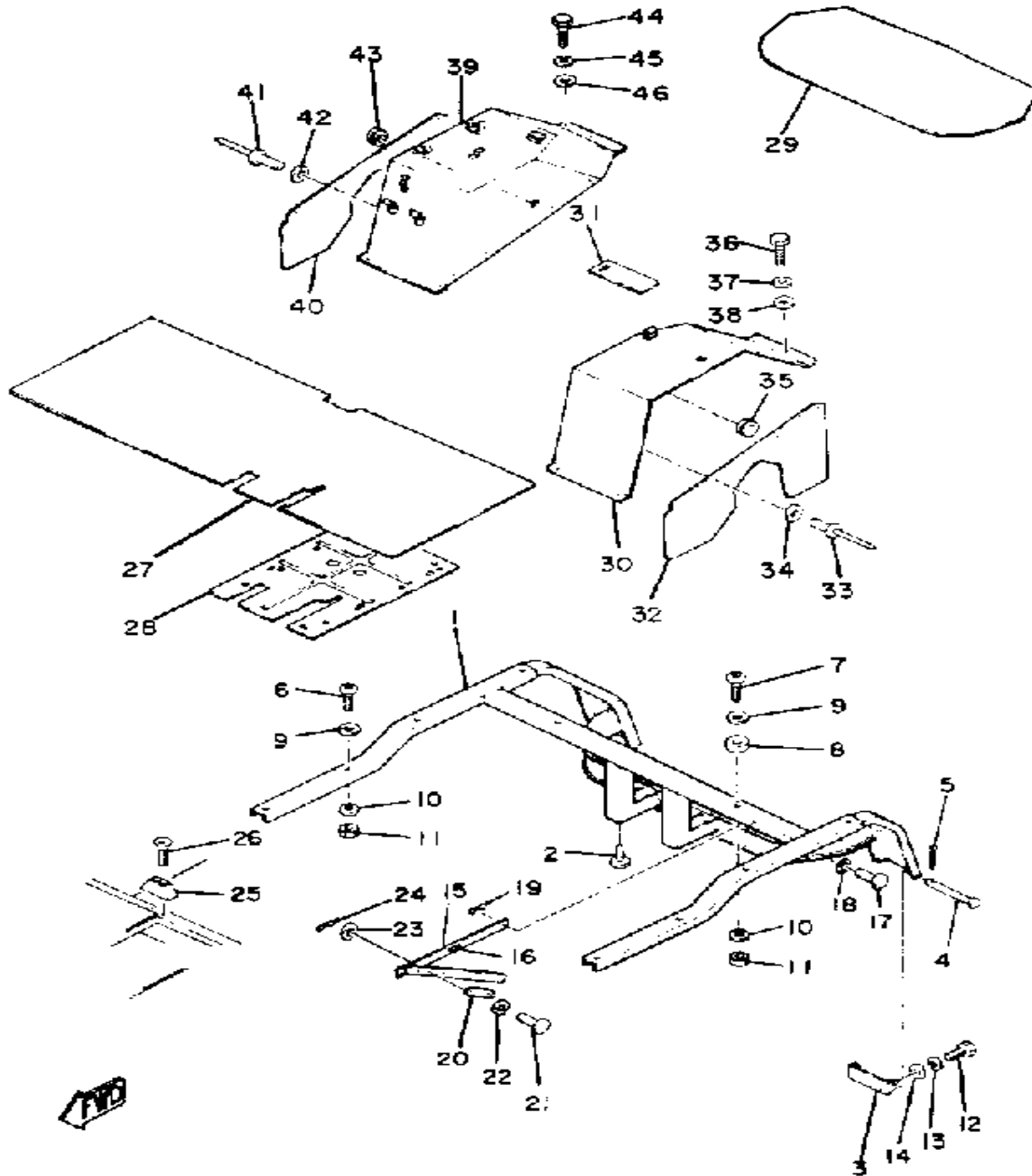
CONTINUED ON NEXT FRAME ►

BODY PANEL-REAR MUD FLAP



Ref. No.	Part Number	Description	Qty	Remarks
49	90201-06075-00	WASHER, PLATE	5	
50	90201-08310-00	WASHER, PLATE	2	
	90201-08612-00	WASHER, PLATE	2	705~
51	98903-08020-00	SCREW, BIND (98901-08020)	2	705~
52	92990-08100-00	WASHER	2	705~
53	97023-06020-00	BOLT (3XF)	5	
54	92995-06100-00	WASHER, SPRING	5	
55	92902-03600-00	WASHER	2	
56	92990-03100-00	WASHER, SPRING (92901-03100)	2	
57	90179-03478-00	NUT, SPEC'L SHAPE 0 2	2	
58	95601-04100-00	NUT, U	3	
59	J10-77768-00-00	LABEL, WARNING	1	
60	J10-77762-01-00	LABEL, WARNING 2	1	
61	90202-05057-00	WASHER, PLATE	2	
62	J11-78103-00-00	MUD FLAP (L.H)	2	
	J11-78104-00-00	MUD FLAP (R.H)	2	
63	J1-17819-80-00	UNAVAILABLE IN PRICE BOOK	2	
64	(J11-78199-00-00)	FLAP, REAR 2	2	
65	90201-05034-00	WASHER, PLATE	6	
66	90267-40054-00	RIVET, BLIND	6	

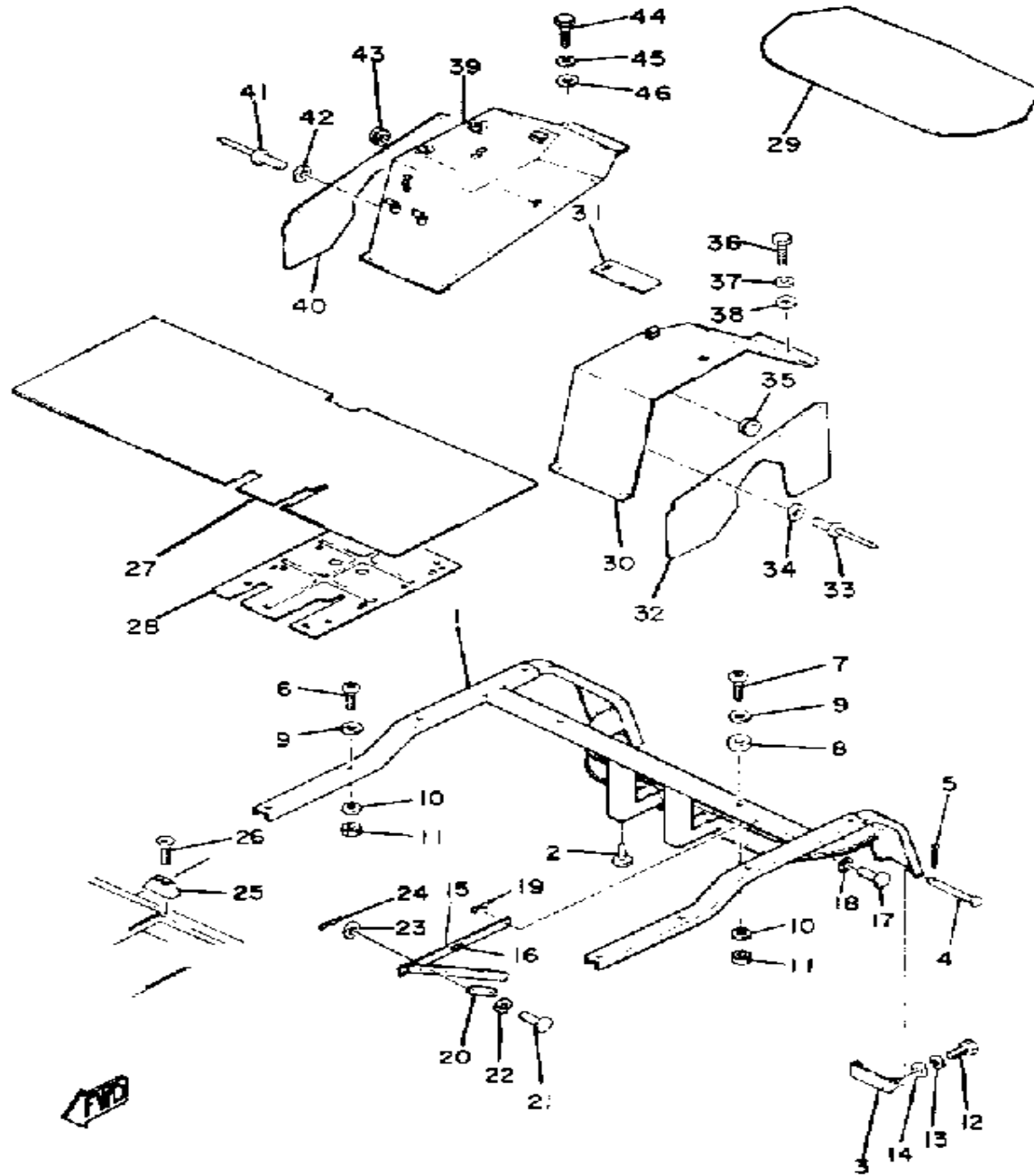
BODY FITTING



Ref. No.	Part Number	Description	Qty	Remarks
1	J10-77145-00-00	HINGE 1	1	
2	90480-06240-00	GROMMET	2	
3	J10-77146-00-00	HINGE 2	2	
4	91701-08118-00	PIN, CLEVIS	2	
5	91401-25020-00	PIN, COTTER	2	
6	98980-06020-00	SCREW, BIND	10	
7	98980-06025-00	SCREW, BIND	2	
8	90202-08085-00	WASHER, PLATE	2	
9	90201-06697-00	WASHER, PLATE	12	
10	92995-06100-00	WASHER, SPRING	12	
11	95380-06600-00	NUT	12	
12	97313-08020-00	BOLT, HEXAGON	4	
13	92990-08100-00	WASHER	4	
14	92901-08600-00	WASHER	4	
15	J10-77125-00-00	STAY 1	2	
16	J10-77766-00-00	LABEL, WARNING 6	2	
17	91701-08014-00	PIN, CLEVIS	4	
18	90206-08051-00	WASHER, WAVE	4	
19	90468-16065-00	CLIP	4	055~
	91401-25020-00	PIN, COTTER	4	
20	J10-77188-00-00	STOPPER	1	
21	91701-06012-00	PIN, CLEVIS	1	
22	90206-06090-00	WASHER, WAVE	1	
23	92990-06200-00	WASHER	1	
24	90468-10050-00	CLIP	1	055~
	91490-20020-00	PIN, COTTER	1	
25	J10-78156-00-00	STOPPER, LOCK	1	
26	98701-05035-00	SCREW, FLAT HEAD	2	
27	J10-78231-09-00	MAT, MAIN FLOOR 1 (J10-78231-02)	1	LONG SEE NOTE

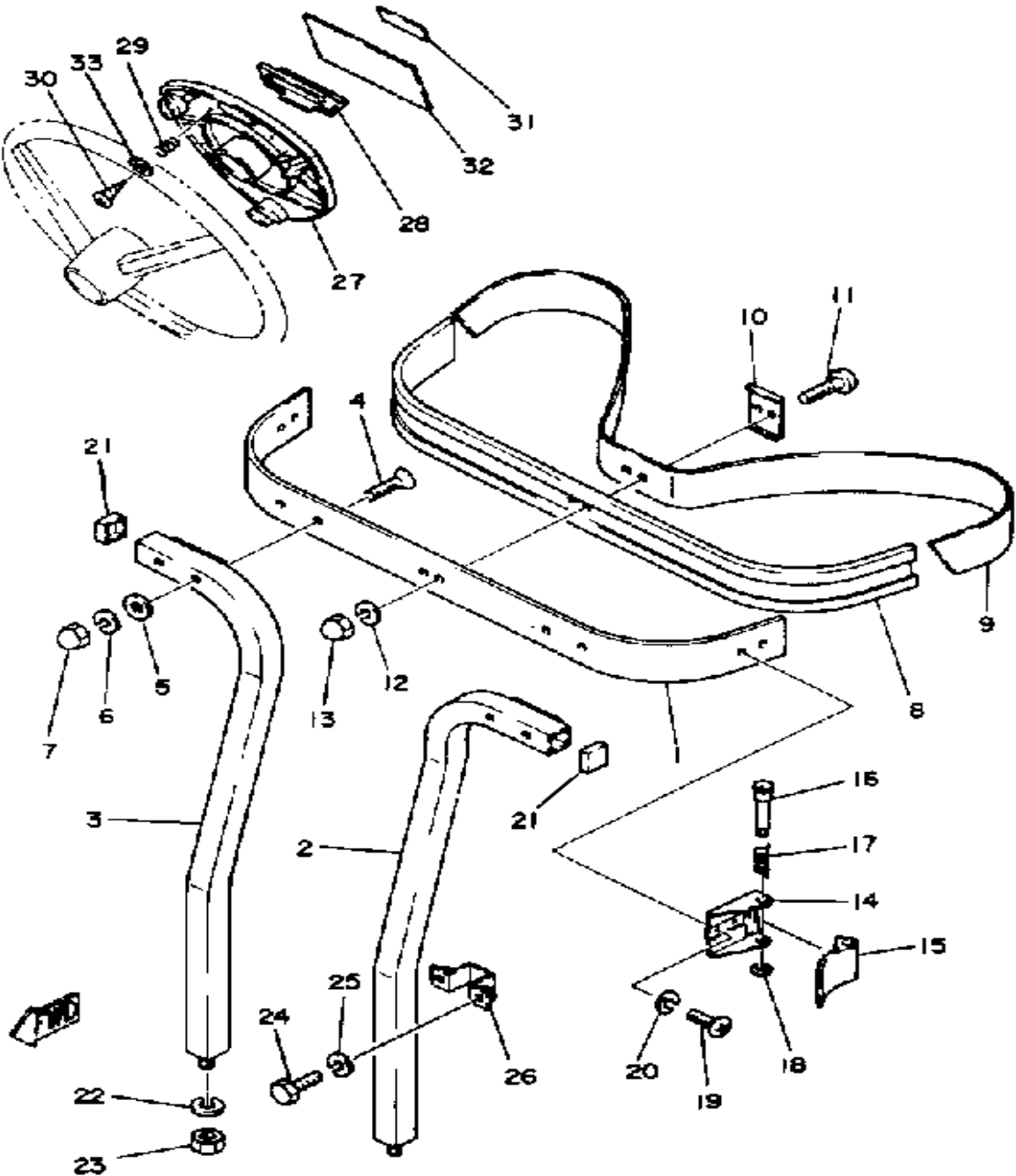
CONTINUED ON NEXT FRAME ►

BODY FITTING



Ref. No.	Part Number	Description	Qty	Remarks
27	J10-78231-09-00	MAT, MAIN FLOOR 1 (J10-78231-02)	1	SHORT SEE NOTE
28	J31-78271-00-00	SERVICE LID, PEDAL	1	
29	J10-78241-00-00	MAT, REAR FLOOR	1	
30	J10-78191-01-00	PANEL, RR FENDER 1 (J10-78101-00)	1	
31	J10-77765-00-00	LABEL, WARNING 5	1	
32	J10-78197-00-00	FLAP, REAR FENDER	1	
33	90267-40054-00	RIVET, BLIND	4	
34	90201-05034-00	WASHER, PLATE	4	
35	90480-12237-00	GROMMET	1	
36	97313-06016-00	BOLT, HEXAGON	4	
37	92995-06100-00	WASHER, SPRING	4	
38	92901-06600-00	. WASHER	4	
39	J10-78192-02-00	PANEL, RR FENDER 2 0 1	1	
	J10-78192-02-00	PANEL, RR FENDER 2 0 1	1	705~
40	J10-78197-00-00	FLAP, REAR FENDER	1	
41	90267-40054-00	RIVET, BLIND	4	
42	90201-05034-00	WASHER, PLATE	4	
43	90480-12023-70	UNAVAILABLE IN PRICE BOOK	1	
44	97313-06016-00	BOLT, HEXAGON	4	
45	92995-06100-00	WASHER, SPRING	4	
46	92901-06600-00	WASHER	4	

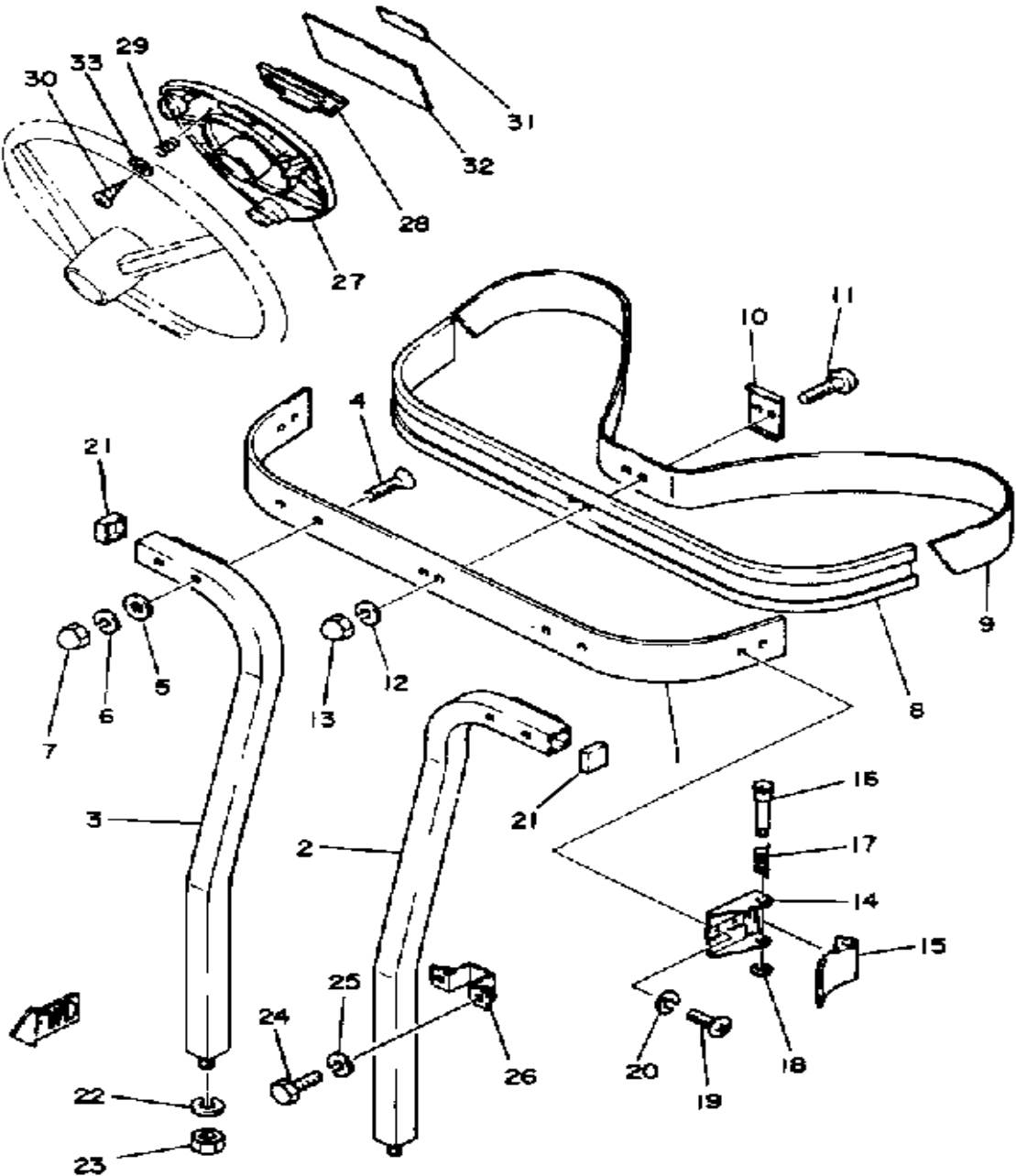
CARRIER



Ref. No.	Part Number	Description	Qty	Remarks
1	J42-78351-00-00	SUPPORT, BAG UPPER (J10-78351-00-9E)	1	IVORY WHITE
2	J10-78352-00-00	SUPPORT, BAG LWR 1 (J10-78352-00-9E)	1	IVORY WHITE
3	J10-78353-00-00	SUPPORT, BAG LWR 2 (J10-78353-00-9E)	1	IVORY WHITE
4	98701-08045-00	SCREW, FLAT HEAD (92701-08045)	4	
5	90201-08107-00	WASHER, PLATE	4	
6	92990-08100-00	WASHER	4	
7	95303-08800-00	NUT (CROWN) (95301-08800)	4	
8	J10-78356-00-00	PAD, BAG SUPPORT	1	
9	J10-78355-00-00	BAND	1	
10	J10-78367-00-00	PLATE, ANCHOR	1	
11	98903-06016-00	SCREW, BIND	2	
12	92995-06100-00	WASHER, SPRING	2	
13	95303-06800-00	NUT (CROWN)	2	
14	J10-78157-00-00	BASE, LOCK	2	
15	J10-78368-00-00	LEVER, LOCK	2	
16	J10-78369-01-00	PIN, LEVER	2	
17	90508-10382-00	SPRING, TORSION	2	
18	99080-05600-00	CIRCLIP	2	
19	98580-06008-00	SCREW, PAN HEAD	4	
20	92995-06100-00	WASHER, SPRING	4	
21	J10-78139-00-00	CAP, END	2	
22	92990-10100-00	WASHER, SPRING	2	
23	95303-10600-00	NUT (95301-10600)	2	
24	97301-06014-00	BOLT, HEXAGON	4	
25	92995-06100-00	WASHER, SPRING	4	
26	J10-78366-01-00	CLAMP, SUPPORT	2	

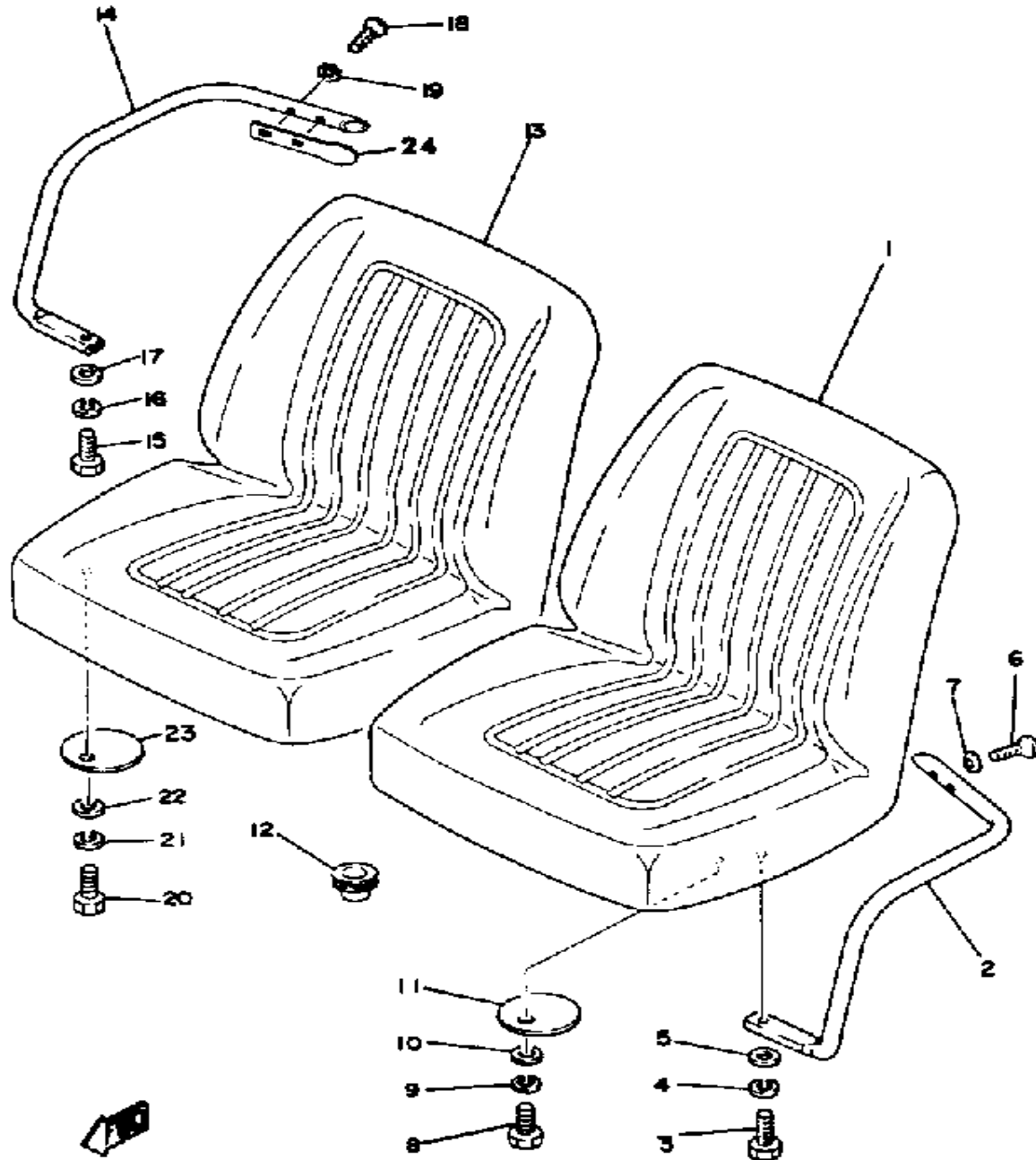
CONTINUED ON NEXT FRAME ►

CARRIER



Ref. No.	Part Number	Description	Qty	Remarks
27	J10-78357-01-00	HOLDER 1	1	
28	J10-78358-00-00	HOLDER 2	1	
29	90502-10013-00	SPRING, CONICAL	2	
30	97780-50125-00	SCREW, TAPPING	2	
31	J10-78292-00-00	EMBLEM 2	1	
32	J10-77762-01-00	LABEL, WARNING 2	1	
33	92901-05600-00	WASHER, PLATE	2	

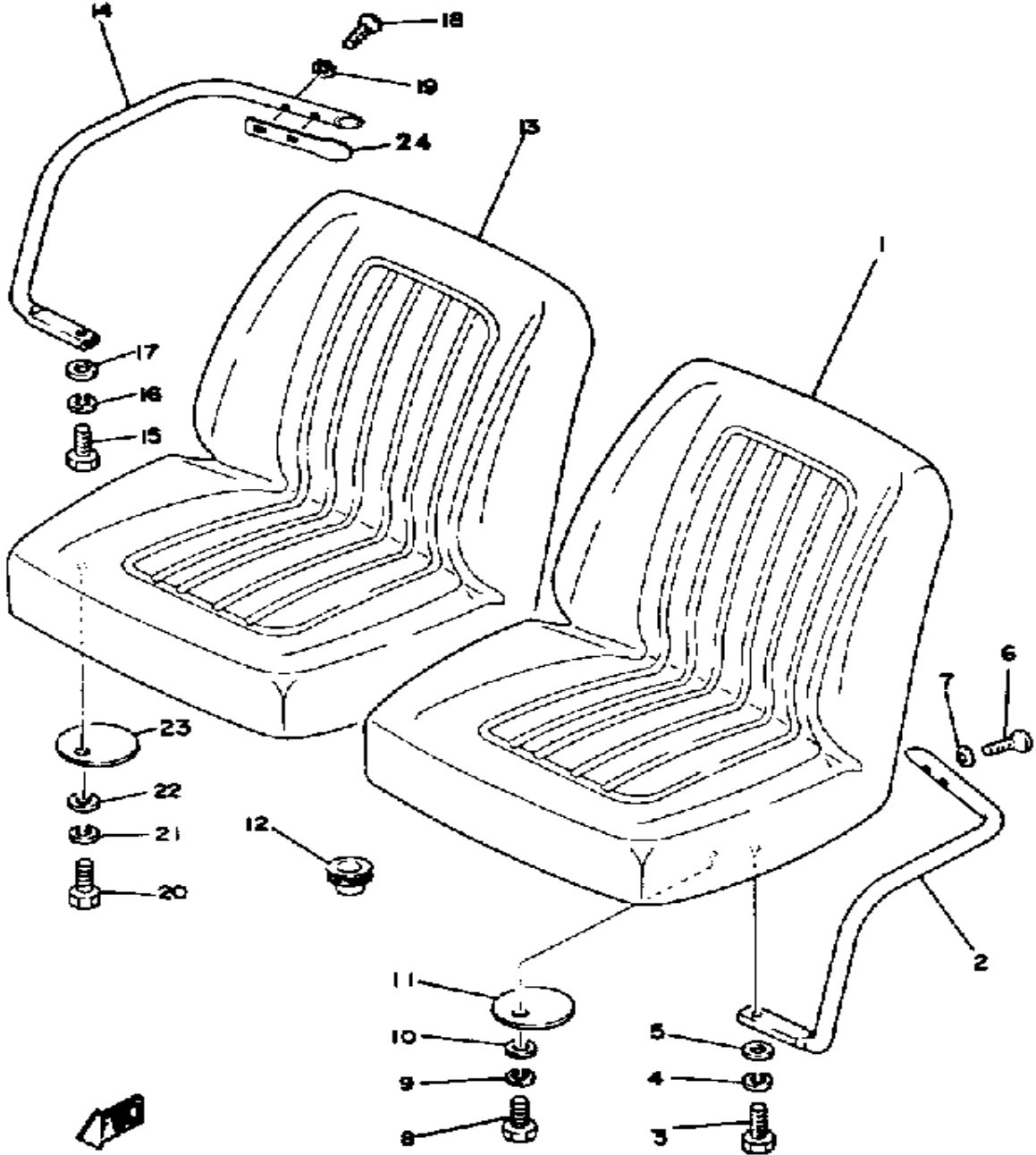
SEAT



Ref. No.	Part Number	Description	Qty	Remarks
1	90480-35346-00	. GROMMET	1	
	J10-78401-04-00	GOLF CAR SEAT (L) (J10-78401-02)	1	
2	J10-78361-00-00	ARM REST 1	1	CHROME PLATED
3	97013-10030-00	BOLT (8J7) (97303-10030)	1	
4	92990-10100-00	WASHER, SPRING	1	
5	92990-10600-00	WASHER, PLATE	1	
6	98680-08035-00	SCREW, OVALHEAD	2	
7	92990-08500-00	WASHER, EX.TOOTH (92901-08500)	2	
8	97001-08025-00	BOLT (1NV)	4	565~
	97313-08020-00	BOLT, HEXAGON	4	
9	92990-08100-00	WASHER	4	
10	90201-08310-00	WASHER, PLATE	4	
11	J10-78439-00-00	WASHER, SEAT	4	565~
12	90480-42282-00	GROMMET	2	565~
13	90480-35346-00	GROMMET	1	
	J10-78403-04-00	SEAT SB/ASSEMBLY, CSHN 2 (99999-01263)	1	
14	J10-78362-00-93	ARM REST 2	1	CHROME PLATED
15	97013-10030-00	BOLT (8J7) (97303-10030)	1	
16	92990-10100-00	WASHER, SPRING	1	
17	92990-10600-00	WASHER, PLATE	1	
18	98680-08035-00	SCREW, OVALHEAD	2	
19	92990-08500-00	WASHER, EX.TOOTH (92901-08500)	2	
20	97001-08025-00	BOLT (1NV)	4	565~
	97313-08020-00	BOLT, HEXAGON	4	
21	92990-08100-00	WASHER	4	
22	90201-08310-00	WASHER, PLATE	4	

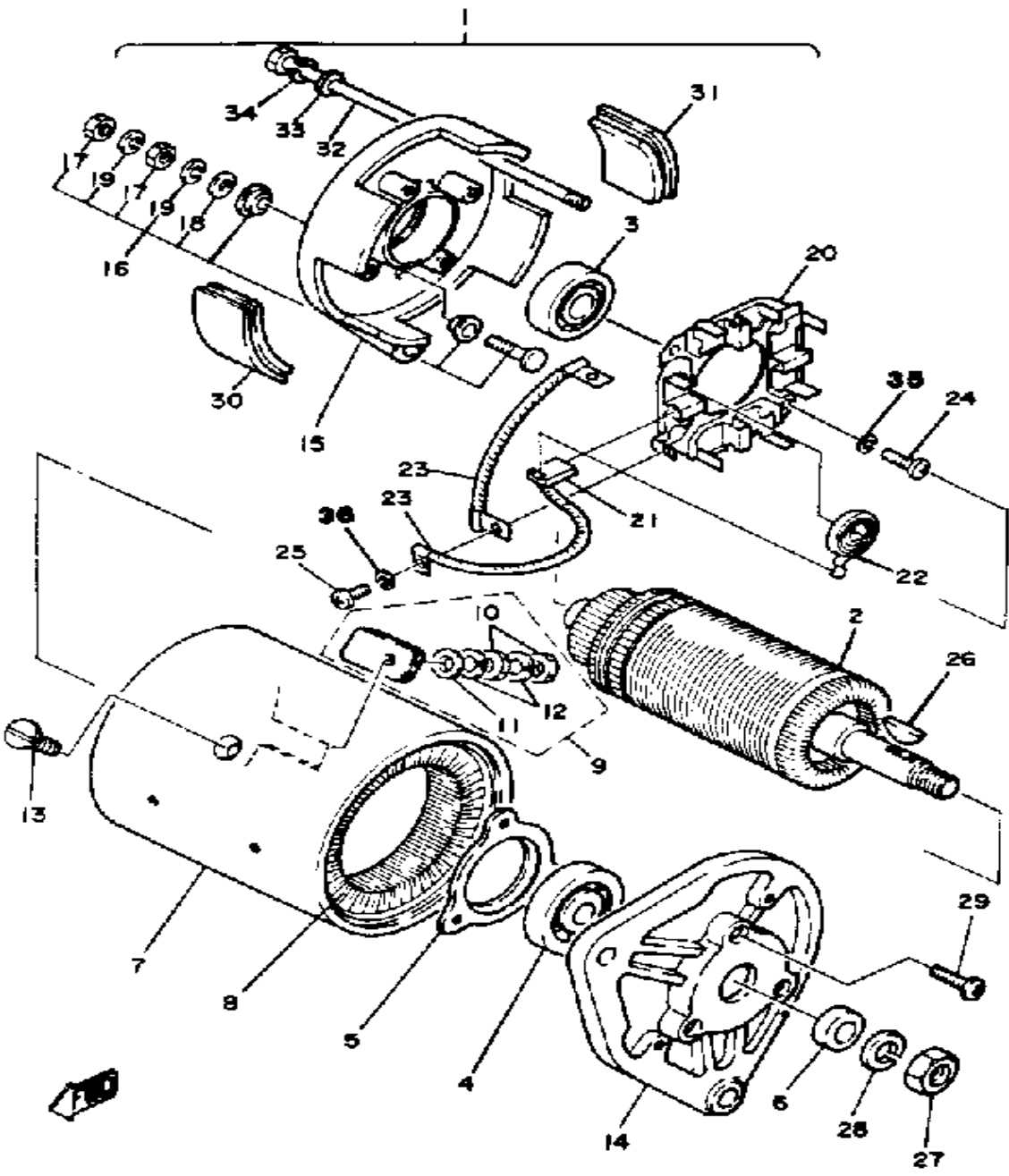
CONTINUED ON NEXT FRAME ►

SEAT



Ref. No.	Part Number	Description	Qty	Remarks
23	J10-78439-00-00	WASHER, SEAT	4	705~
24	J17-78348-00-00	SPACER, ARM REST	2	

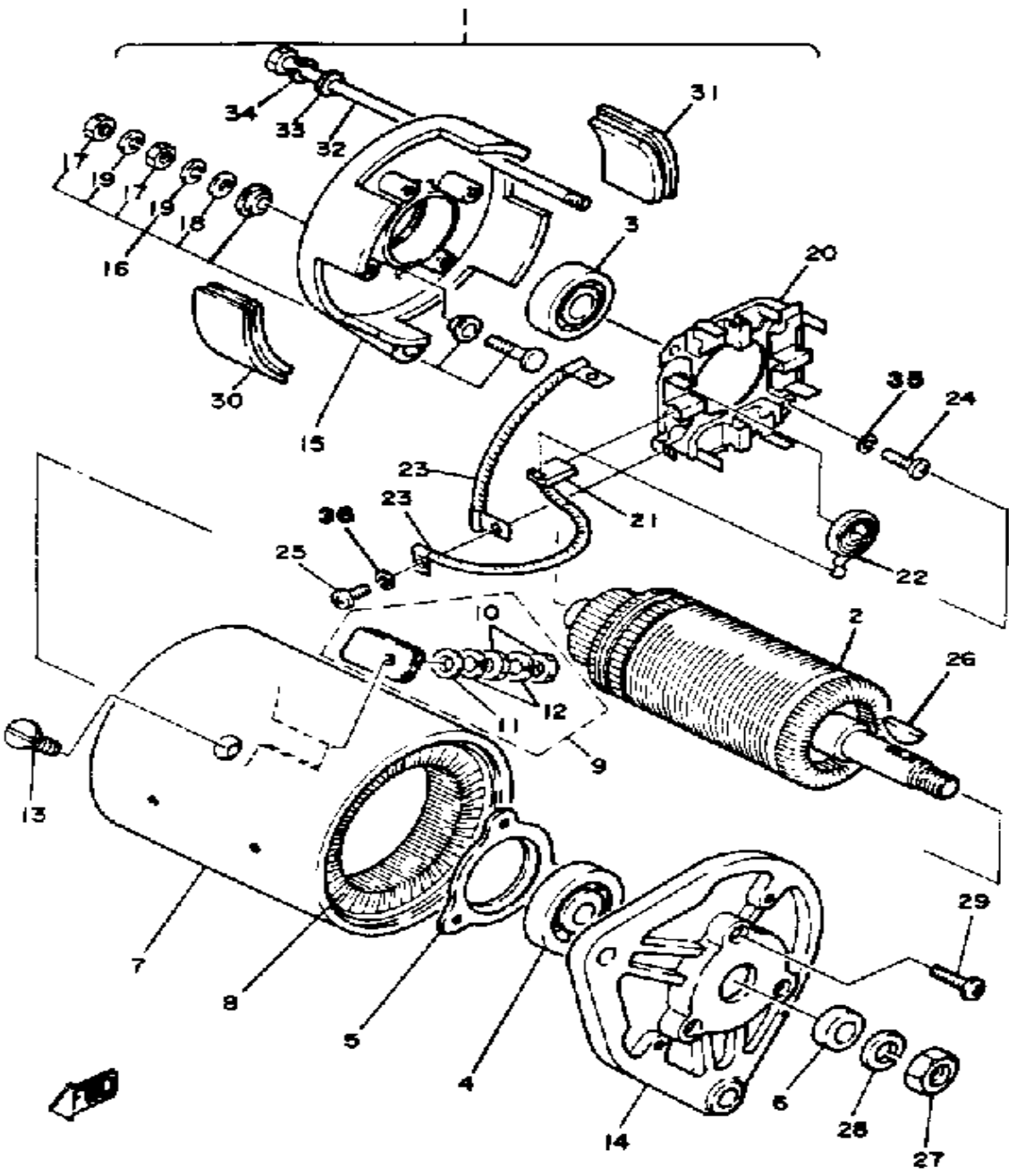
STARTER GENERATOR



Ref. No.	Part Number	Description	Qty	Remarks
1	J10-81100-10-00	STARTER GEN ASSEMBLY ASSY	1	
2	J10-81150-10-00	. ARMATURE ASSEMBLY	1	
3	J10-81157-10-00	. BEARING 1 (6202 SD)	1	
4	J10-81158-10-00	. BEARING 2 (6203 SD)	1	
5	J10-81159-10-00	. HOLDER, BEARING	1	
6	J10-81175-10-00	. STOPPER 1	1	
7	J10-81110-10-00	. STATOR ASSEMBLY	1	
8	J10-81160-10-00	. FIELD COIL ASSEMBLY	1	
9	J10-81148-10-00	. SCREW	2	
10	95380-06600-00	.. NUT	4	
11	92901-06600-00	.. WASHER	2	
12	92995-06100-00	.. WASHER, SPRING	4	
13	J10-81146-10-00	. SCREW	4	
14	J10-81165-10-00	. BRKT, STARTER GEN 1 GENERATOR 1	1	
15	J10-81166-10-00	. BRACKET, STARTER GENERATOR	1	
16	J10-81147-10-00	. SCREW	2	
17	95380-06600-00	.. NUT	2	
18	92901-06600-00	.. WASHER	2	
19	92995-06100-00	.. WASHER, SPRING	4	
20	J10-81119-10-00	. BRUSH HOLDER ASSEMBLY	1	
21	J10-81111-10-00	. BRUSH	4	
22	J10-81113-10-00	. SPRING, BRUSH	4	
23	J10-81115-10-00	. WIRE, LEAD	2	
24	98580-05016-00	. SCREW, PAN HEAD	2	
25	98580-04010-00	. SCREW, PAN HEAD	4	
26	J38-81163-10-00	. KEY	1	
27	95301-14700-00	. NUT	1	

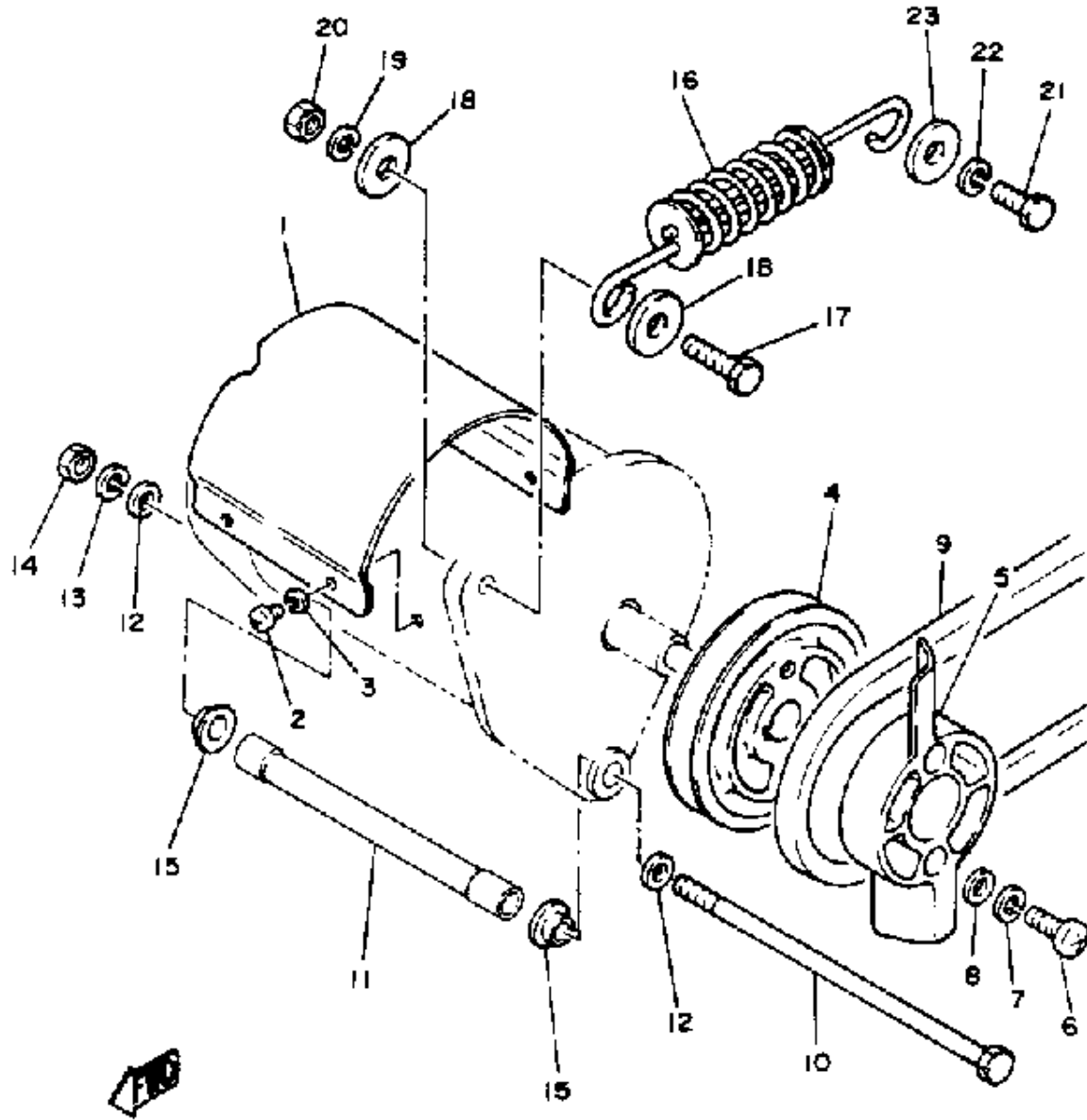
CONTINUED ON NEXT FRAME ►

STARTER GENERATOR



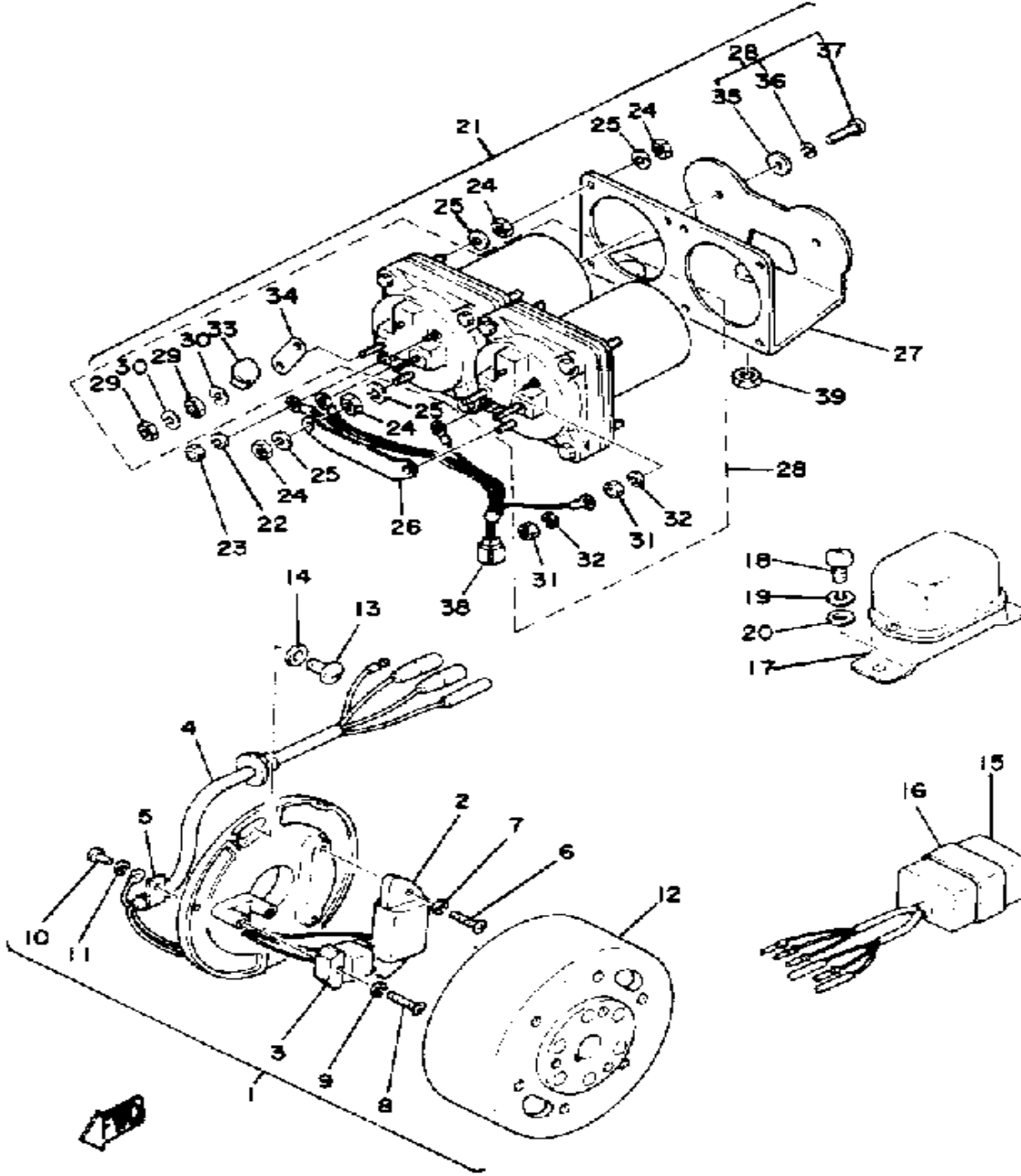
Ref. No.	Part Number	Description	Qty	Remarks
28	92901-14100-00	. WASHER, SPRING	1	
29	98501-05018-00	. SCREW, PAN HEAD	3	
30	J10-81129-10-00	. COVER, BRUSH	3	
31	J10-81129-10-00	. COVER, BRUSH	1	
32	J10-81145-10-00	. SCREW	2	
33	92901-06600-00	. WASHER	2	
34	92995-06100-00	. WASHER, SPRING	2	
35	92990-05100-00	. WASHER, SPRING	2	
36	92901-04100-00	. WASHER, SPRING	4	

STARTER PULLEY



Ref. No.	Part Number	Description	Qty	Remarks
1	J17-87183-00-00	INSULATOR, GEN	1	
2	98580-05010-00	SCREW, PAN HEAD	4	
3	92990-05100-00	WASHER, SPRING	4	
4	J10-81161-01-00	PULLEY	1	
5	J10-87172-00-00	FAN, GENERATOR	1	
6	98580-06020-00	SCREW	2	
7	92995-06100-00	WASHER, SPRING	2	
8	92901-06600-00	. WASHER	2	
9	J10-81173-00-XX	BELT	1	
10	90105-08326-00	BOLT, WASHER BASED	1	
11	90387-08683-00	COLLAR	1	
	J10-21647-00-00	BAND 0 1	1	877~
12	92990-08200-00	WASHER, PLAIN	2	
13	92990-08100-00	WASHER	2	
14	95333-08600-00	. NUT	1	
15	90387-08687-00	COLLAR	2	
16	J10-81170-00-00	TENSIONER ASSEMBLY	1	
17	97313-08030-00	BOLT, HEXAGON	1	
18	90201-08107-00	WASHER, PLATE	2	
19	92990-08100-00	WASHER	1	
20	95333-08600-00	NUT	1	
21	97313-08020-00	BOLT, HEXAGON	1	
22	92990-08100-00	WASHER	1	
23	90201-08107-00	WASHER, PLATE	1	

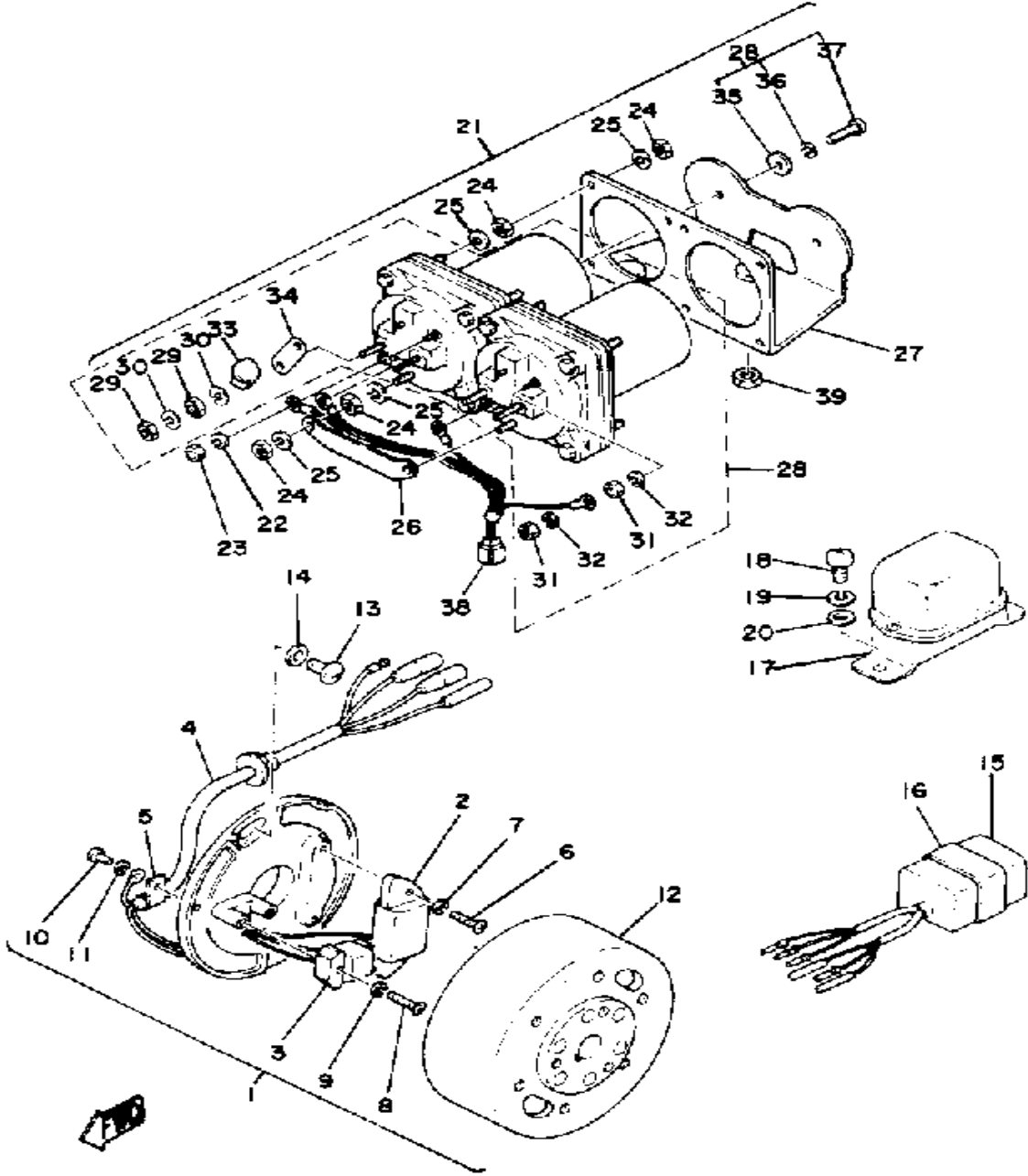
C - D - I - MAGNETO



Ref. No.	Part Number	Description	Qty	Remarks
1	J10-85500-20-00	CDI MAGNETO ASSEMBLY ...	1	
2	8G8-85511-20-00	. COIL SOURCE 1	1	
3	J10-85580-20-00	. COIL, PULSER	1	
4	J10-85515-20-00	. LEAD WIRE ASSEMBLY	1	
5	104-81328-20-00	. CLAMP	2	
6	98580-05020-00	. SCREW, PAN HEAD	2	
7	92990-05100-00	. WASHER, SPRING	2	
8	98511-04020-00	. SCREW, PAN HEAD	2	
9	92901-04100-00	. WASHER, SPRING	2	
10	98580-04008-00	. SCREW, PAN HEAD	1	
11	92901-04100-00	. WASHER, SPRING	1	
12	J10-85550-20-00	. ROTOR ASSEMBLY	1	
13	98903-06014-00	SCREW, BIND	2	
14	90201-06043-00	WASHER, PLATE	2	
15	J10-85540-20-00	CDI UNIT ASSEMBLY	1	
16	2A7-85546-00-00	BAND	1	
17	J10-81910-10-00	VOLTAGE REG ASSEMBLY ASSY	1	
18	98503-06014-00	SCREW, PAN HEAD (92502-06016)	1	705~
	98503-06014-00	SCREW, PAN HEAD (92502-06016)	2	
19	92995-06100-00	WASHER, SPRING	2	
20	92901-06600-00	WASHER	1	705~
	92901-06600-00	WASHER	2	
21	J10-81940-01-00	STARTER SWITCH ASSEMBLY 01	1	
	J10-81940-01-00	STARTER SWITCH ASSEMBLY 01	1	705~
22	92901-04100-00	. WASHER, SPRING	2	

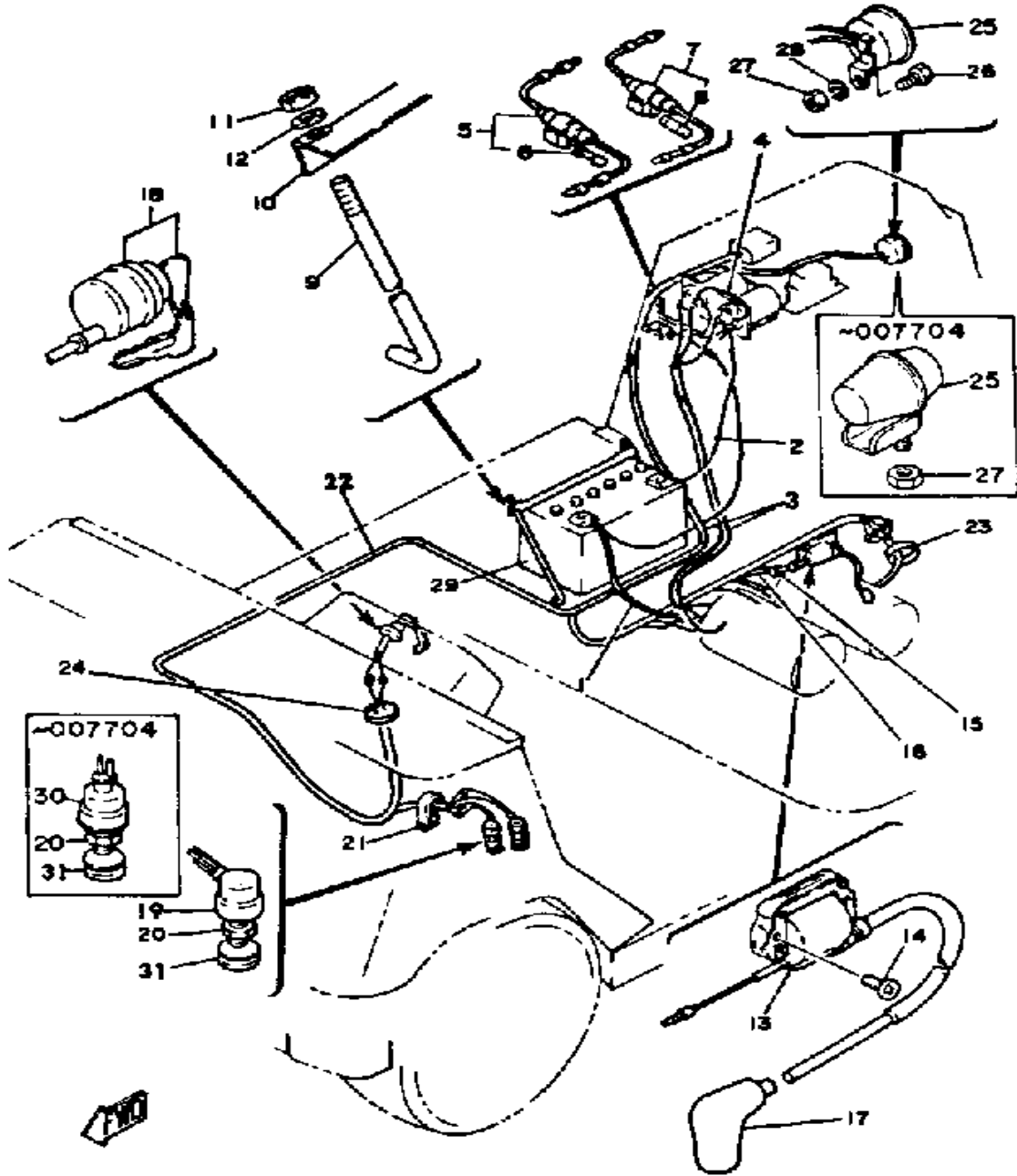
CONTINUED ON NEXT FRAME ➤

C - D - I - MAGNETO



Ref. No.	Part Number	Description	Qty	Remarks
23	95301-04700-00	. NUT (95302-04700)	2	
24	95380-06700-00	. NUT	10	
25	92995-06100-00	. WASHER, SPRING	10	
26	J10-81924-01-00	. BAR, SHORT 0 1	1	
	J10-81924-01-00	. BAR, SHORT 0 1	1	705~
27	J10-81945-00-00	. PLATE, SWCH FITTING	1	
28	J10-81951-00-00	. RELAY	2	
29	95380-06700-00	.. NUT	10	
30	92995-06100-00	.. WASHER, SPRING	9	
31	95301-04700-00	.. NUT (95302-04700)	2	
32	92901-04100-00	.. WASHER, SPRING	2	
33	J10-81916-00-00	.. COVER, TERMINAL	1	
34	J10-81925-00-00	.. TERMINAL	1	
35	J10-81923-00-00	.. WASHER	2	
36	92990-05100-00	.. WASHER, SPRING	2	
37	98580-05020-00	.. SCREW, PAN HEAD	2	
38	J10-81949-00-00	. WIRE, LEAD	1	
39	95712-08300-00	NUT, LOCK	3	

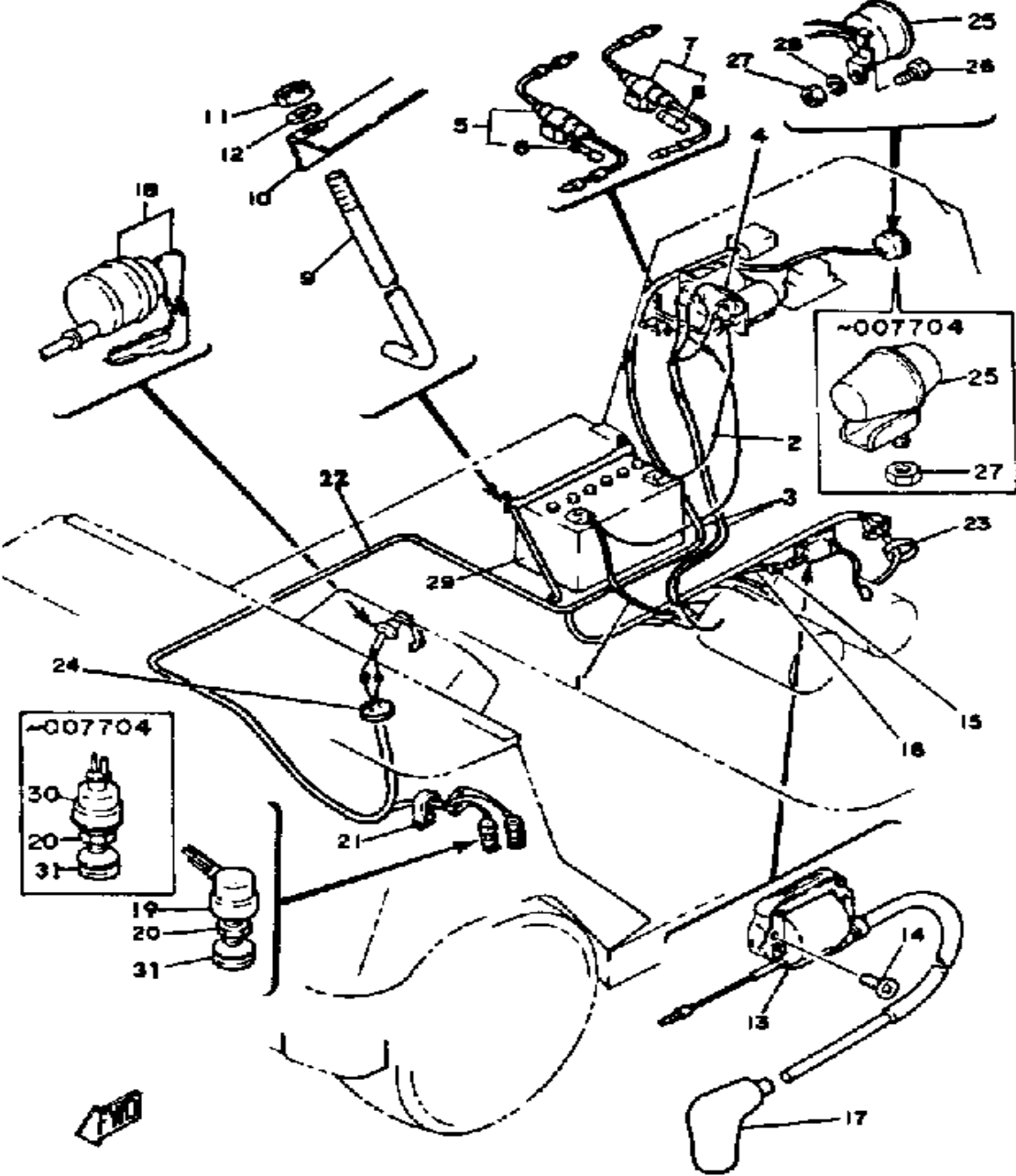
ELECTRICAL 1



Ref. No.	Part Number	Description	Qty	Remarks
1	J10-82115-00-00	WIRE, PLUS LEAD	1	
2	J10-82116-00-00	WIRE, MINUS LEAD	1	
3	J10-82105-00-00	WIRE HARNESS	1	
4	J10-82117-00-00	WIRE, LEAD	1	
5	1E6-82150-00-00	FUSE HOLDER ASSEMBLY	1	
6	1E6-82151-00-00	. FUSE (10A)	2	
7	1E6-82150-00-00	FUSE HOLDER ASSEMBLY	1	
8	1E6-82151-00-00	. FUSE (10A)	2	705~
9	J10-82133-00-00	SCREW, FITTING	2	
10	J55-H2136-00-00	PLATE, BATTERY	1	
11	90175-06004-00	NUT, WING	2	
	95380-06600-00	NUT	2	593~
12	92990-06200-00	WASHER	2	
13	8H4-82310-20-00	IGNITION COIL ASSEMBLY	1	
14	98511-06025-00	SCREW PAN HEAD (92501-06025)	2	
15	90465-06038-00	CLAMP	2	
16	J42-82318-00-00	WIRE, SUB-LEAD	1	
	J42-82318-00-00	WIRE, SUB-LEAD	2	705~
17	512-82370-10-00	PLUG CAP ASSEMBLY	1	W/NOISE SUPPRESSOR
18	J17-82508-20-00	MAIN SWITCH ASSEMBLY	1	
19	J10-82550-00-00	STOP SWITCH ASSEMBLY	1	
	J10-82550-03-00	STOP SWITCH ASSEMBLY (J10-82550-02) 0 1	1	705~
20	95303-10700-00	NUT	1	705~
	95303-10700-00	NUT	2	
21	90465-08028-00	CLAMP	1	
22	J10-82590-21-00	WIRE HARNESS ASSEMBLY (J10-82590-20)	1	

CONTINUED ON NEXT FRAME ►

ELECTRICAL 1



Ref. No.	Part Number	Description	Qty	Remarks
23	437-83936-01-00	BAND, SWITCH CORD	1	
24	25G-83936-01-00	BAND, SWITCH CORD	1	
25	J10-83383-02-00	BUZZER	1	705~
	J18-83383-00-00	BUZZER	1	
26	97301-06014-00	BOLT, HEXAGON	1	705~
27	95380-06700-00	NUT	1	705~
	95701-06300-00	NUT, NYLON	1	
28	92995-06100-00	WASHER, SPRING	1	705~
29	*---	FRONT WHEEL ASSEMBLY ..	1	LM
30	J10-82530-02-00	STOP SWITCH ASSEMBLY ...	1	
31	J10-82532-00-00	CAP, RUBBER	2	
19-1	J10-82532-00-00	CAP, RUBBER	1	