



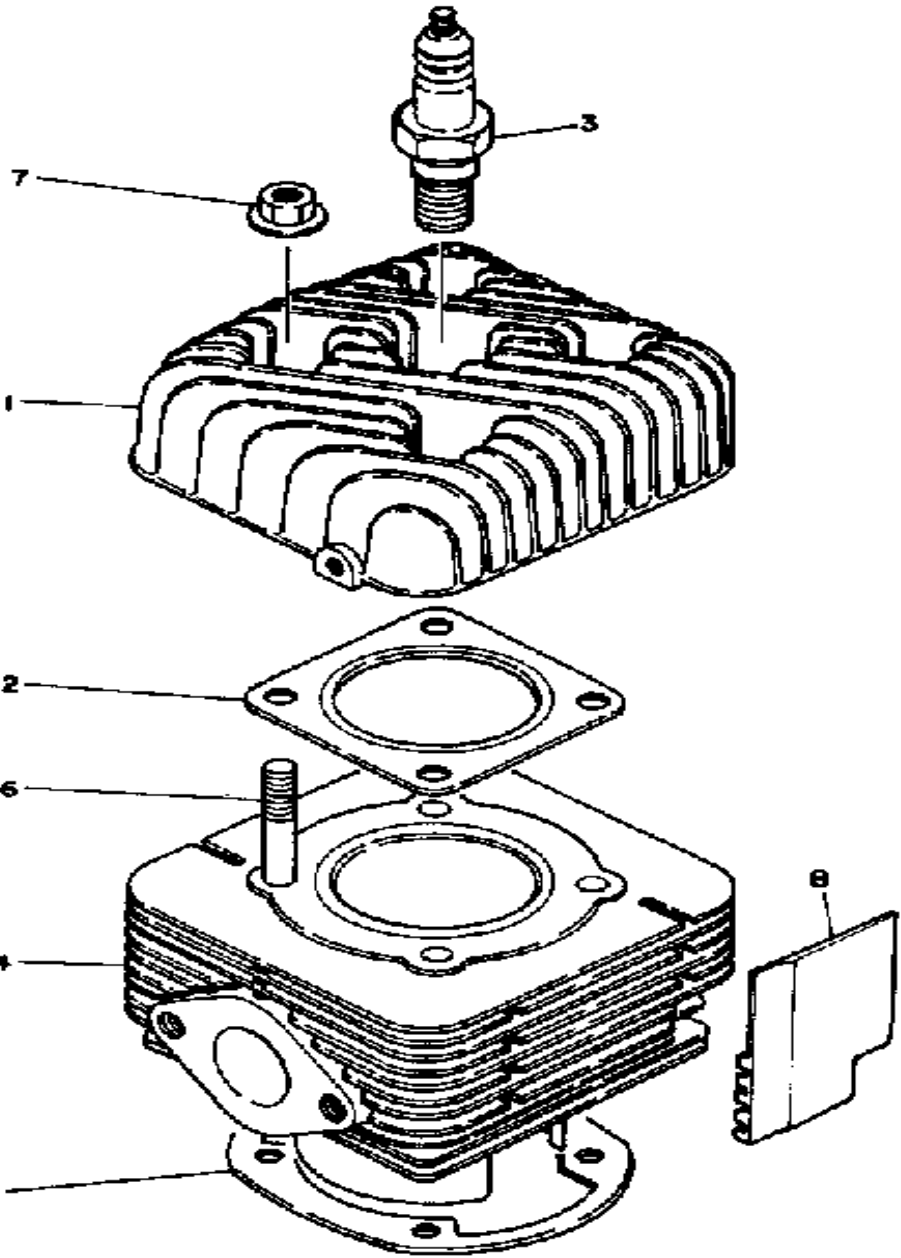
YAMAHA

GENUINE

PARTS CATALOGUE

GOLF CAR

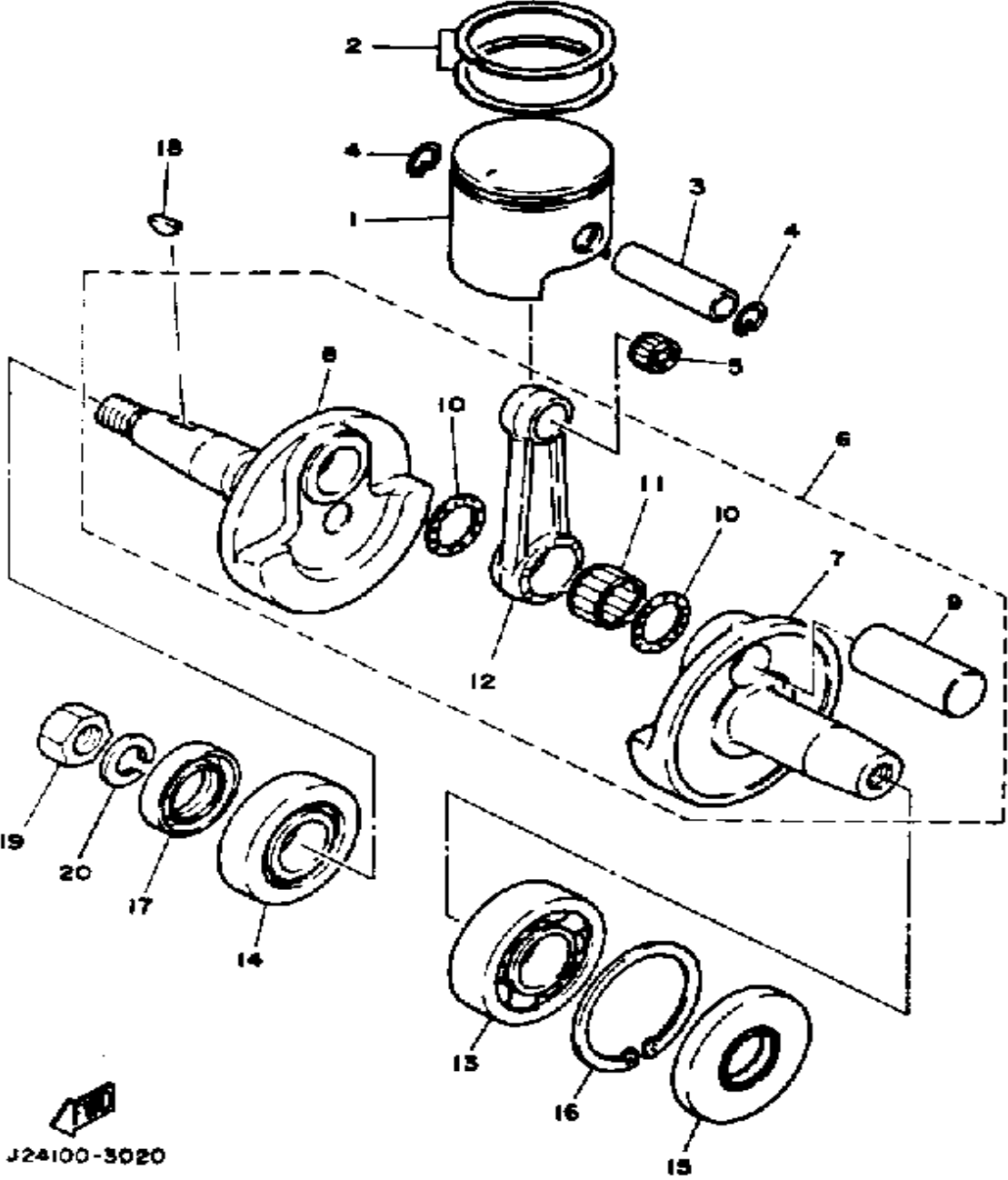
CYLINDER HEAD-CYLINDER



J24100-3010

| Ref. No. | Part Number | Description | Qty | Remarks |
|----------|-----------------|----------------------------------|-----|---------|
| 1 | J10-11111-00-00 | HEAD, CYLINDER 1 | 1 | |
| 2 | J10-11181-00-00 | GASKET, CYLINDER HEAD 1 | 1 | |
| 3 | NGK-BP6HS-00-00 | NGK BP6HS 4PK (94701-00108) (M5) | 1 | |
| 4 | J10-11311-00-00 | CYLINDER 1 | 1 | |
| 5 | 881-11351-01-00 | GASKET, CYLINDER | 1 | |
| 6 | 90116-08254-00 | BOLT, STUD | 4 | |
| 7 | 95701-08500-00 | NUT, FLANGE | 4 | |
| 8 | J24-11127-00-00 | ABSORBER 3 | 1 | |

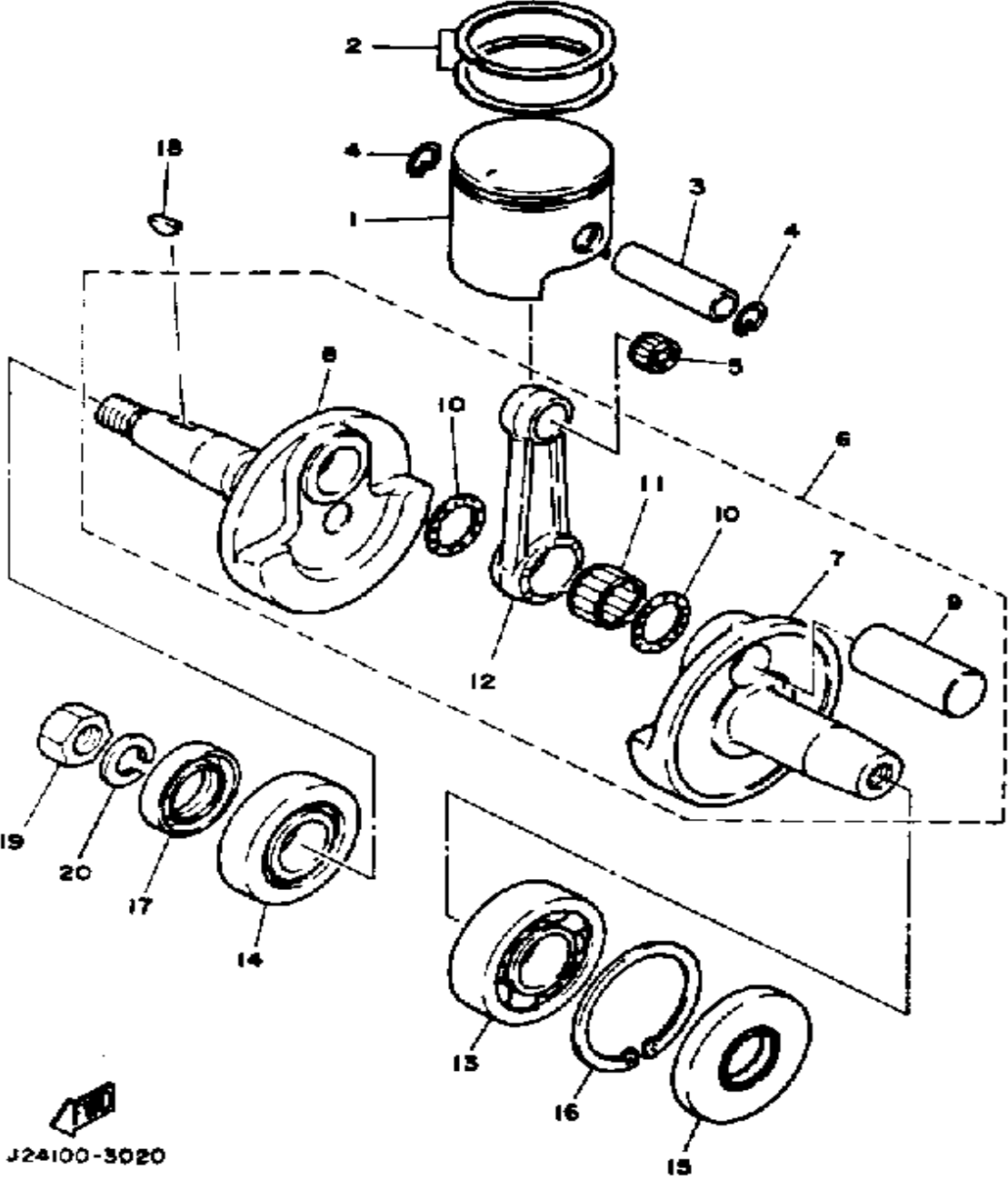
CRANKSHAFT



| Ref. No. | Part Number | Description | Qty | Remarks |
|----------|-----------------|------------------------------|-----|-----------|
| 1 | J10-11631-00-96 | PISTON STD | 1 | U.R. |
| | J10-11635-00-00 | PISTON 1 O/S 0.5 | 1 | ALT. PART |
| | J10-11636-00-00 | PISTON 2 O/S 0.0 | 1 | ALT. PART |
| | J10-11637-00-00 | PISTON 3 O/S 0.5 | 1 | ALT. PART |
| | J10-11638-00-00 | PISTON 4 O/S 1.0 | 1 | ALT. PART |
| 2 | J10-11610-00-00 | PISTON RINGSET STD | 1 | |
| | J10-11610-10-00 | PISTON RINGSET 1ST (1ST O/S) | 1 | ALT. PART |
| | J10-11610-20-00 | PISTON RINGSET 2ND (2ND O/S) | 1 | ALT. PART |
| | J10-11610-30-00 | PISTON RINGSET 3RD (3RD O/S) | 1 | ALT. PART |
| | J10-11610-40-00 | PISTON RINGSET 4TH (4TH O/S) | 1 | ALT. PART |
| 3 | 818-11633-00-00 | PIN, PISTON | 1 | |
| 4 | 93450-20026-00 | CIRCLIP | 2 | |
| 5 | 93310-218A6-00 | BEARING | 1 | |
| 6 | J10-11400-00-00 | CRANKSHAFT ASSEMBLY | 1 | |
| 7 | J10-11412-00-00 | . CRANK 1 | 1 | |
| 8 | J10-11422-00-00 | . CRANK 2 | 1 | |
| 9 | 857-11681-00-00 | . PIN, CRANK 1 | 1 | |
| 10 | 90209-24073-00 | . WASHER | 2 | |
| 11 | 93310-42497-00 | . BEARING, CYLINDER.# 0 | 1 | |
| 12 | 881-11651-00-00 | . ROD, CONNECTING | 1 | |
| 13 | 93306-30630-00 | BEARING | 1 | |
| 14 | 93306-20622-00 | BEARING | 1 | |
| 15 | 93102-30188-00 | OIL SEAL, SD-TYPE | 1 | |
| 16 | 93450-72048-00 | CIRCLIP, INNER | 1 | |
| 17 | 93102-30128-00 | OIL SEAL, SD-TYPE | 1 | |
| 18 | 90280-16053-00 | KEY, WOODRUFF | 1 | |

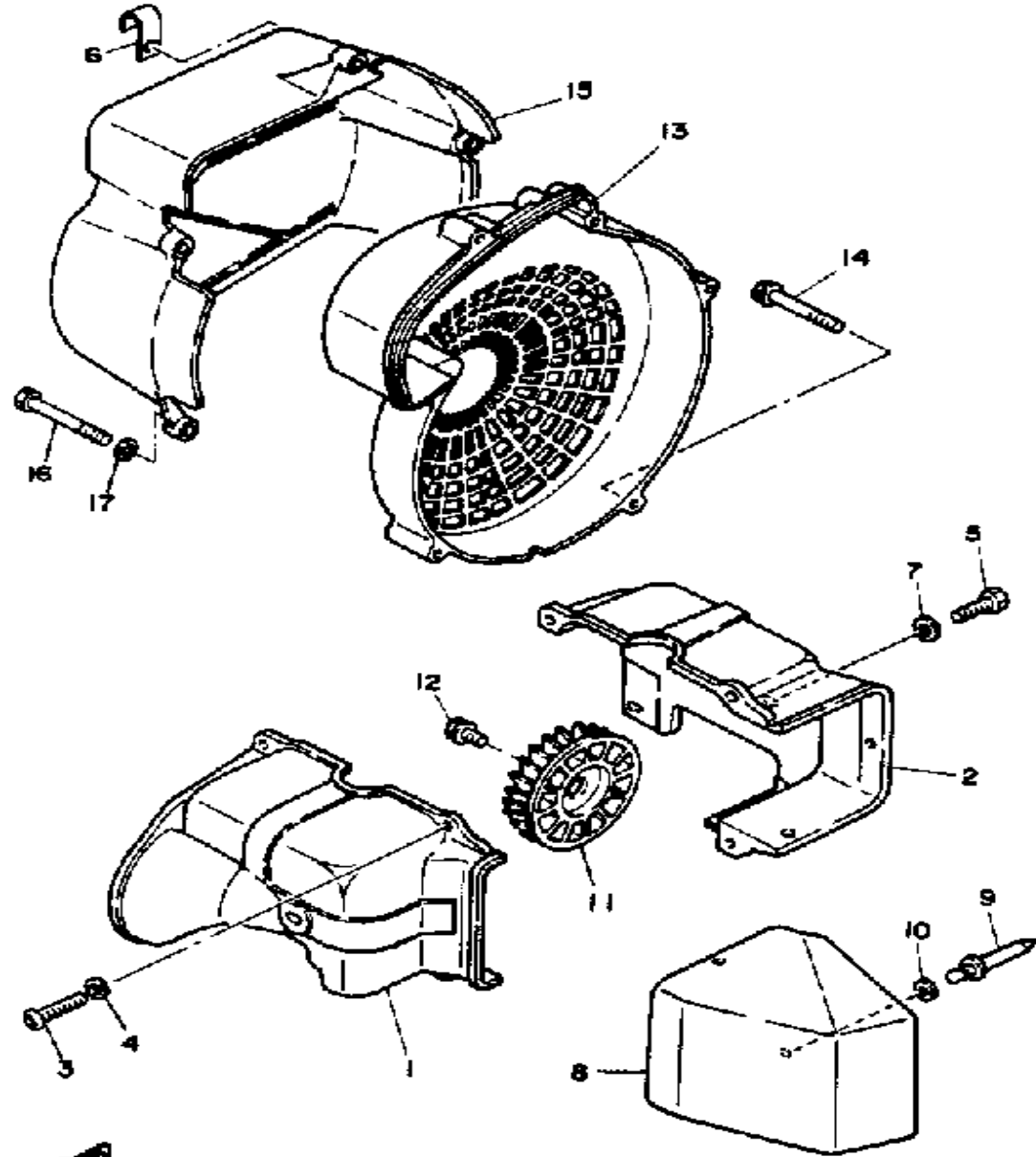
CONTINUED ON NEXT FRAME ►

CRANKSHAFT



| Ref. No. | Part Number | Description | Qty | Remarks |
|----------|----------------|----------------------|-----|---------|
| 19 | 90170-16182-00 | NUT | 1 | |
| 20 | 92901-16100-00 | WASHER, SPRING | 1 | |

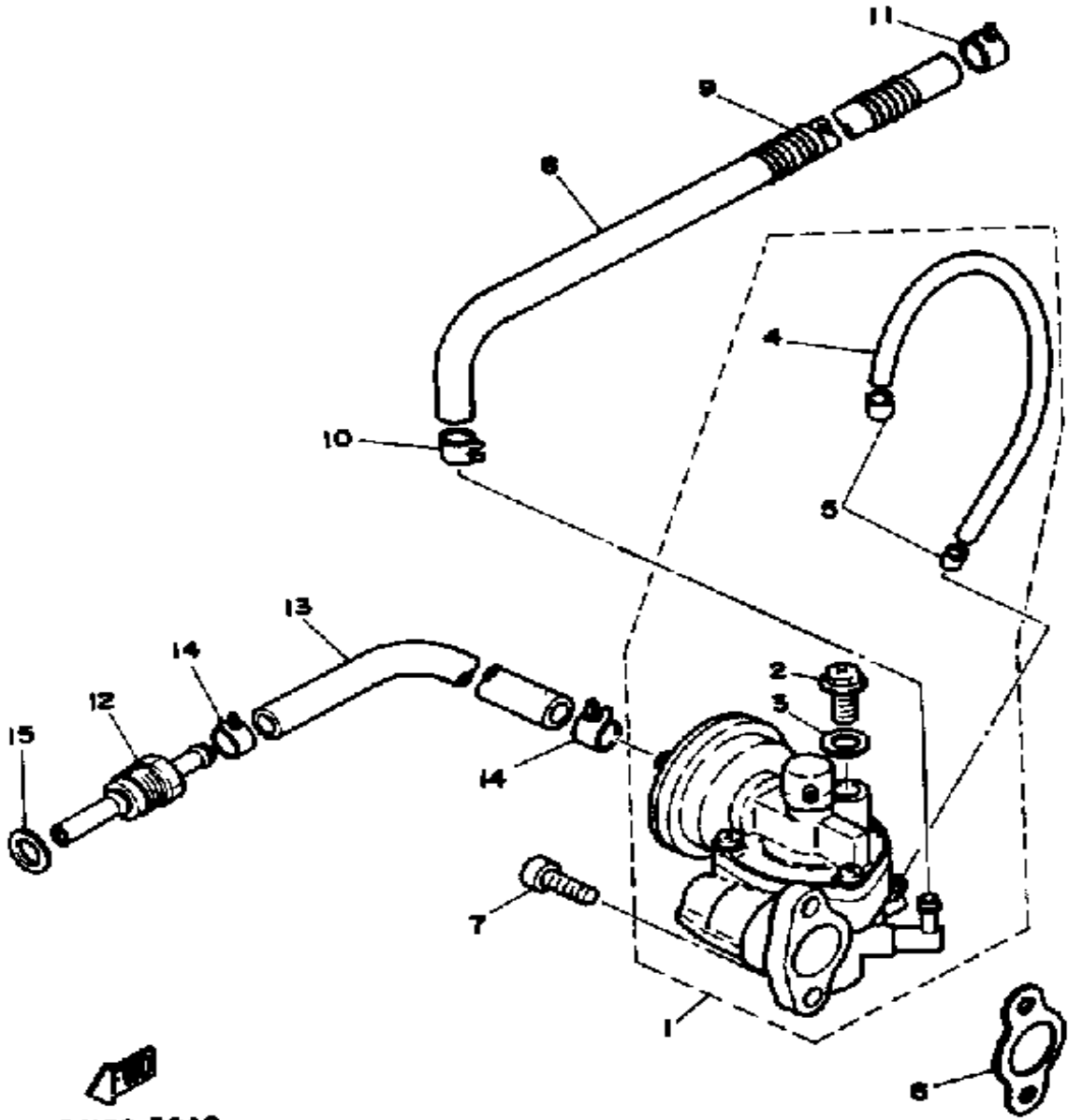
AIR SHROUD-FAN



J24100-3030

| Ref. No. | Part Number | Description | Qty | Remarks |
|----------|-----------------|----------------------------------|-----|---------|
| 1 | J10-12651-00-00 | AIR SHROUD, CYLINDER 1CYLINDER 1 | 1 | |
| 2 | J24-12652-00-00 | AIR SHROUD, CYLINDER 2CYLINDER 2 | 1 | |
| 3 | 98503-06014-00 | SCREW, PAN HEAD (92502-06016) | 5 | |
| 4 | 92901-06600-00 | WASHER | 5 | |
| 5 | 97313-06016-00 | BOLT, HEXAGON | 4 | |
| 6 | 90462-08056-00 | CLAMP | 1 | |
| 7 | 90201-065F3-00 | WASHER, PLATE | 4 | |
| 8 | J10-12631-00-00 | DEFLECTOR 1 | 1 | |
| 9 | 90267-48086-00 | RIVET, BLIND | 3 | |
| 10 | 90201-04325-00 | WASHER, PLATE | 3 | |
| 11 | 8G8-12611-01-00 | FAN | 1 | |
| 12 | 95811-06012-00 | BOLT, FLANGE | 6 | |
| 13 | J10-12621-01-00 | CASE, FAN | 1 | |
| 14 | 95811-06050-00 | BOLT, FLANGE | 1 | |
| 15 | J24-12616-00-00 | COVER, FAN CASE | 1 | |
| 16 | 97313-06060-00 | BOLT, HEXAGON | 4 | |
| 17 | 92901-06600-00 | WASHER | 4 | |

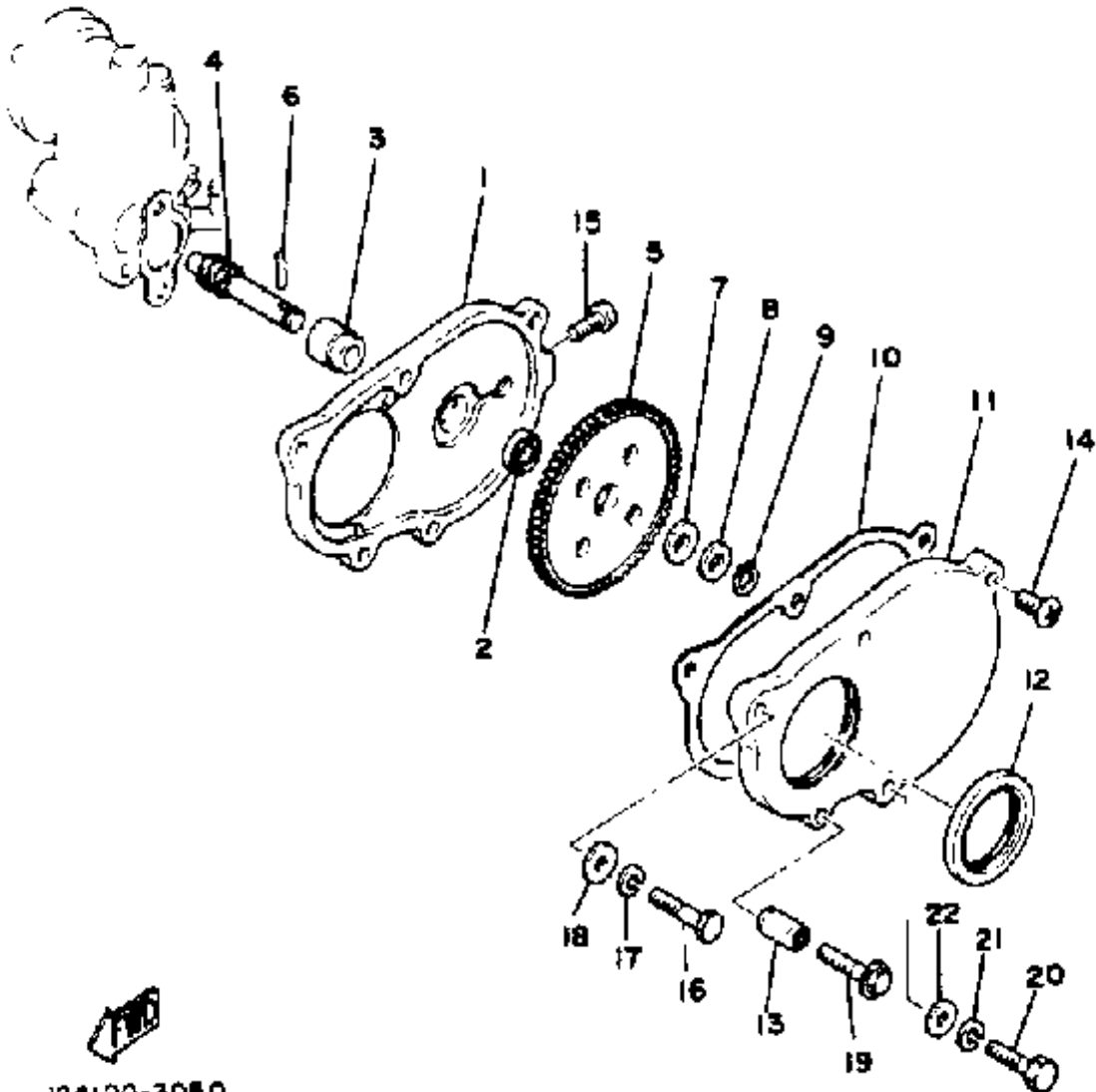
OIL PUMP



J24100-3040

| Ref. No. | Part Number | Description | Qty | Remarks |
|----------|-----------------|-------------------------------------|-----|---------|
| 1 | J24-13101-00-00 | OIL PUMP ASSEMBLY | 1 | |
| 2 | 90401-06001-00 | . BOLT, UNION | 1 | |
| 3 | 90430-06180-00 | . GASKET | 1 | |
| 4 | 90445-05214-00 | . HOSE | 1 | |
| 5 | 90468-02033-00 | . CLIP | 2 | |
| 6 | 3MT-13116-00-00 | GASKET, PUMP CASE (8Y0-13116-00) | 1 | |
| 7 | 98580-05016-00 | SCREW, PAN HEAD | 2 | |
| 8 | 90445-09635-00 | HOSE | 1 | |
| 9 | 90501-08430-00 | SPRING, COMPRESSION | 1 | |
| 10 | 90467-09005-00 | CLIP, SCISSOR | 1 | |
| 11 | 90467-09026-00 | CLIP | 1 | |
| 12 | J10-13283-00-00 | JET, SENSER | 1 | |
| 13 | 90445-11634-00 | HOSE | 1 | |
| 14 | 90467-10035-00 | CLIP | 2 | |
| 15 | 90201-08624-00 | WASHER, PLATE | 1 | |

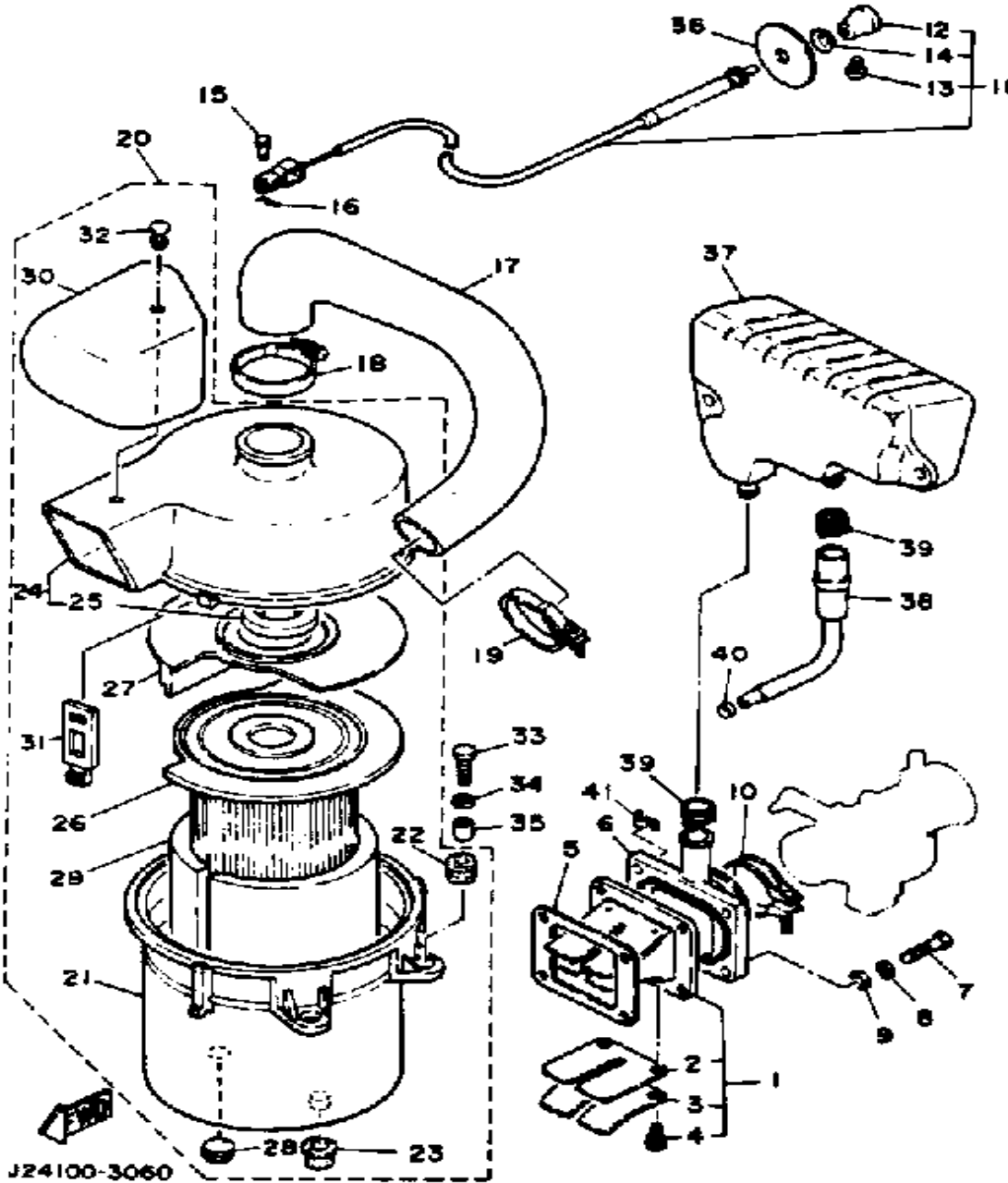
PUMP DRIVE-GEAR



FMS
J24100-3050

| Ref. No. | Part Number | Description | Qty | Remarks |
|----------|-----------------|--------------------------|-----|---------|
| 1 | J10-15416-00-00 | COVER, OIL PUMP | 1 | |
| 2 | 93101-10090-00 | OIL SEAL | 1 | |
| 3 | 1E7-13176-00-00 | METAL, WRM SHAF OTR | 1 | |
| 4 | J10-13175-00-00 | SHAFT, WORM | 1 | |
| 5 | J10-13188-00-00 | GEAR, DRIVE | 1 | |
| 6 | 93603-22028-00 | PIN, DOWEL | 1 | |
| 7 | 90206-11016-00 | WASHER, WAVE | 1 | |
| 8 | 137-13148-00-00 | PLATE, CAM THRUST | 1 | |
| 9 | 99009-10400-00 | CIRCLIP | 1 | |
| 10 | J10-15466-00-00 | GASKET 2 | 1 | |
| 11 | J10-15426-00-00 | COVER, OIL PUMP R | 1 | |
| 12 | 93112-53004-00 | OIL SEAL, SR-TYPE | 1 | |
| 13 | 91810-18025-00 | PIN, DOWEL | 2 | |
| 14 | 98580-06018-00 | SCREW, PAN HEAD | 1 | |
| 15 | 98580-06012-00 | SCREW, PAN HEAD | 1 | |
| 16 | 97313-08035-00 | BOLT, HEXAGON | 1 | |
| 17 | 92990-08100-00 | WASHER | 1 | |
| 18 | 92901-08600-00 | WASHER | 1 | |
| 19 | 95811-06035-00 | BOLT, FLANGE | 2 | |
| 20 | 97021-06030-00 | BOLT | 1 | |
| 21 | 92995-06100-00 | WASHER, SPRING | 1 | |
| 22 | 92901-06600-00 | WASHER | 1 | |

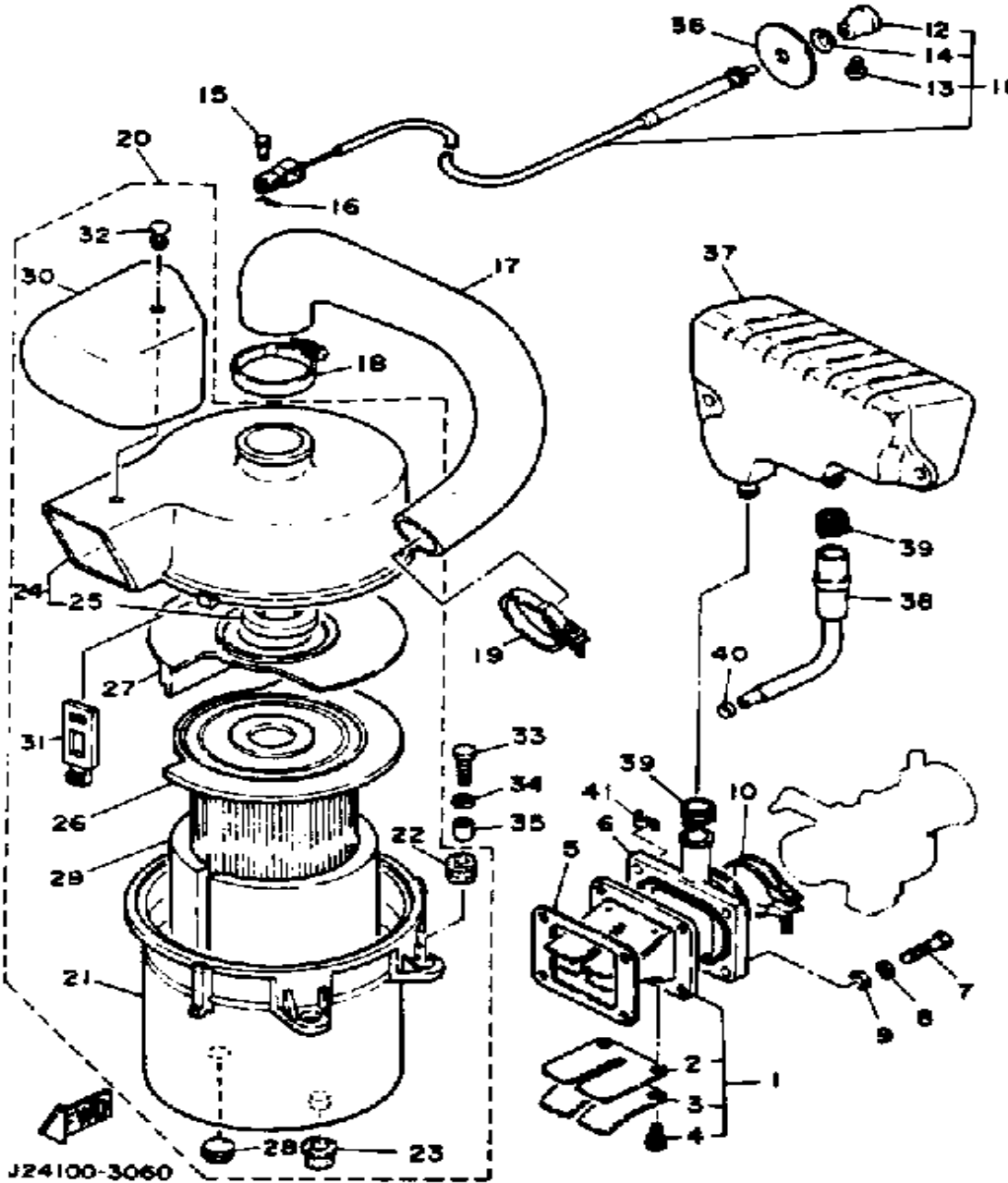
AIR FILTER



| Ref. No. | Part Number | Description | Qty | Remarks |
|----------|-----------------|---|-----|---------|
| 1 | 10V-13610-01-00 | REED VALVE ASSEMBLY (885-13610-00) | 1 | |
| 2 | 10V-13613-01-00 | . REED, VALVE (1L8-13613-00) | 2 | |
| 3 | 1UA-13616-00-00 | . STOPPER REED VALVE VALVE (10V-13616-01) | 2 | |
| 4 | 98580-03008-00 | . SCREW, PAN HEAD | 4 | |
| 5 | 3TT-13621-00-00 | GASKET, VALVE SEAT | 1 | |
| 6 | J24-13586-00-00 | JOINT, CARBURETOR 1 | 1 | |
| 7 | 97021-06030-00 | BOLT | 4 | |
| 8 | 92995-06100-00 | WASHER, SPRING | 4 | |
| 9 | 92901-06600-00 | WASHER | 4 | |
| 10 | 90460-41191-00 | CLAMP, HOSE (90460-41146) | 1 | |
| 11 | J10-26331-02-00 | CABLE, STARTER 1 | 1 | |
| 12 | J10-26325-00-00 | . KNOB, STARTER | 1 | |
| 13 | 90149-03132-00 | . SCREW, SPECIAL SHAPE | 1 | |
| 14 | J17-26339-09-00 | . BOOT | 1 | |
| 15 | 91701-05010-00 | PIN, CYLINDER. HEAD | 1 | |
| 16 | 90468-10050-00 | CLIP | 1 | |
| 17 | J10-14453-00-00 | JOINT, AIR CLNR 1 | 1 | |
| 18 | 90460-41191-00 | CLAMP, HOSE (90460-41146) | 1 | |
| 19 | 90460-53239-00 | CLAMP, HOSE | 1 | |
| 20 | J17-14410-00-00 | AIR CLEANER ASSEMBLY 1 | 1 | |
| 21 | J10-14411-01-00 | . CASE, air cleaner 1 | 1 | |
| 22 | 90480-13238-00 | . GROMMET | 2 | |
| 23 | 90480-14239-00 | . GROMMET | 2 | |
| 24 | J17-W1443-00-00 | . CAP, cleaner case 1 (J17-14412-01-00) | 1 | |
| 25 | J10-14416-00-00 | . . GASKET, AIR CLEANER | 1 | |
| 26 | J10-14450-10-00 | ELEMENT ASS'Y, air cleaner | 1 | |
| 27 | J10-1441F-00-00 | PARTN, AIR CLNR CSAIR CLEANER CASE | 1 | |

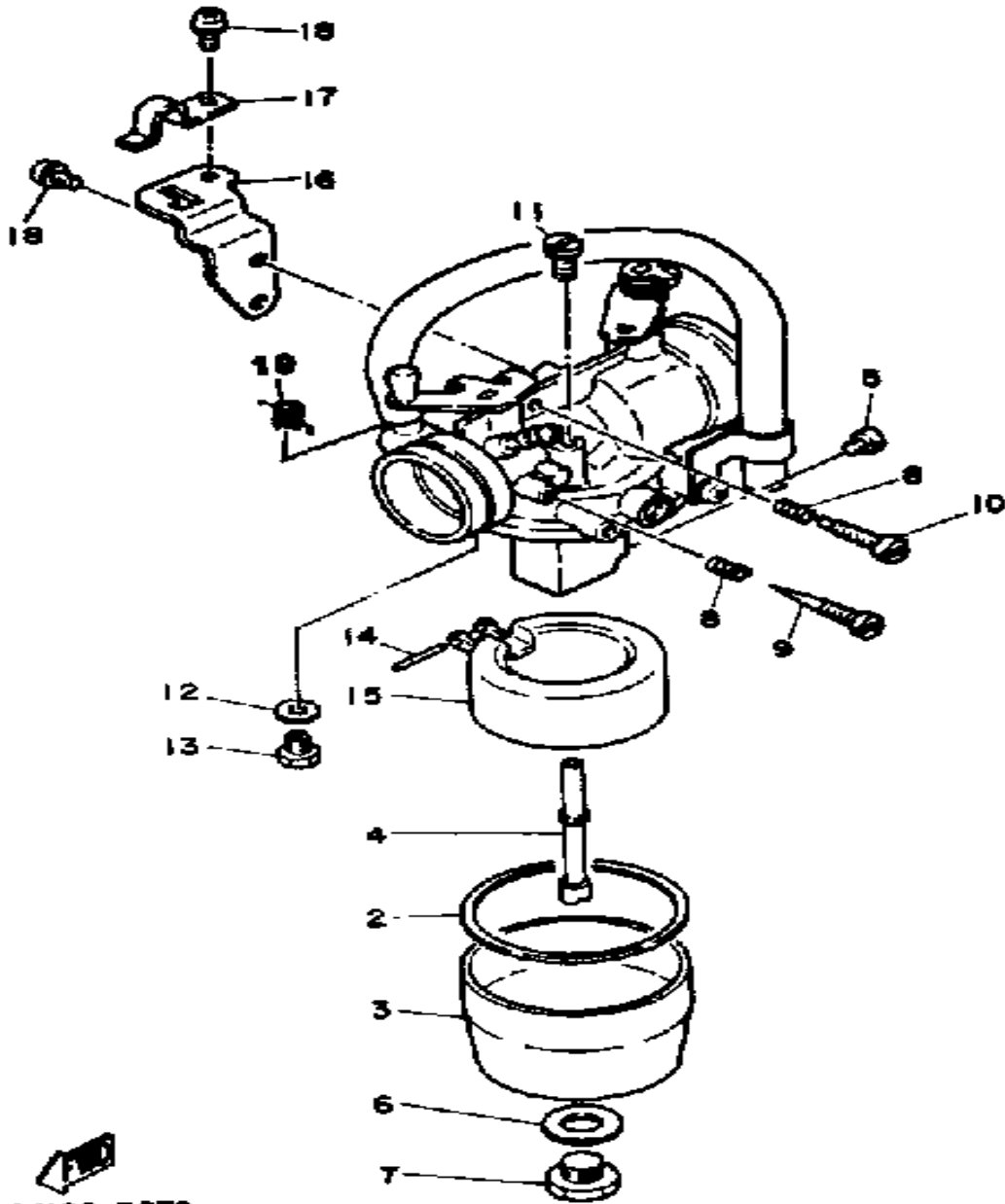
CONTINUED ON NEXT FRAME ➤

AIR FILTER



| Ref. No. | Part Number | Description | Qty | Remarks |
|----------|-----------------|-----------------------------|-----|---------|
| 28 | 90480-14100-00 | GROMMET | 1 | |
| 29 | J10-14417-00-00 | COVER 1 | 1 | |
| 30 | J17-12644-00-00 | DEFLECTOR 3 | 1 | |
| 31 | J10-14436-00-00 | HOOK | 3 | |
| 32 | 90269-65032-00 | RIVET, SPEC'L SHAPE | 1 | |
| 33 | 97003-06022-00 | BOLT, HEXAGON (97301-06022) | 2 | |
| 34 | 90201-065F3-00 | WASHER, PLATE | 1 | |
| 35 | 90387-06026-00 | COLLAR | 2 | |
| 36 | 90201-114E6-00 | WASHER, PLATE | 1 | |
| 37 | J24-13581-00-00 | CHAMBER, AIR | 1 | |
| 38 | J24-14388-00-00 | VALVE, VAC CONTROL | 1 | |
| 39 | 90468-08104-00 | CLIP | 2 | |
| 40 | 90468-02025-00 | CLIP | 1 | |
| 41 | 90462-08056-00 | CLAMP | 1 | |

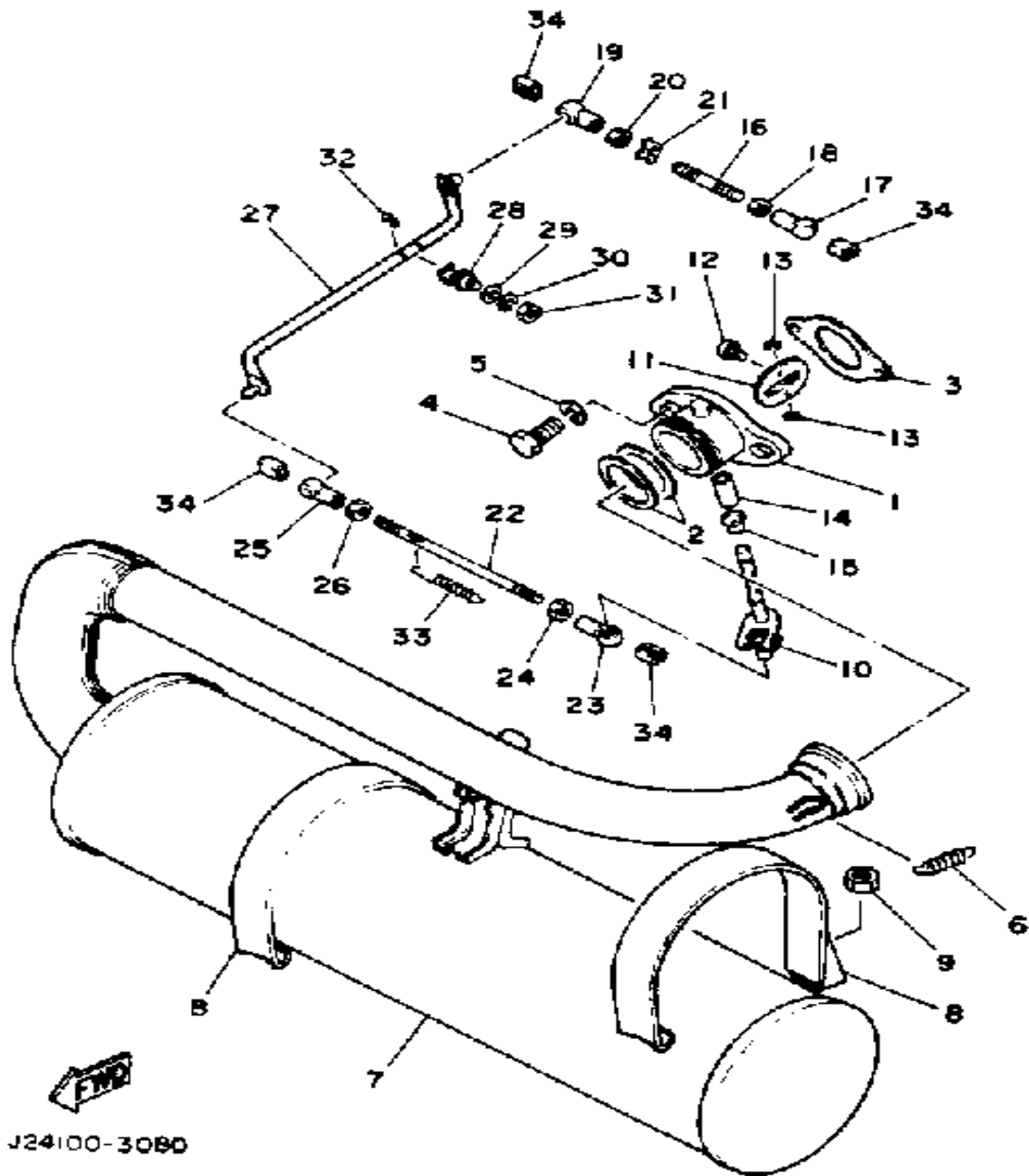
CARBURETOR



FWD
J24100-3070

| Ref. No. | Part Number | Description | Qty | Remarks |
|----------|-----------------|-------------------------------|-----|---------|
| 1 | J24-14101-01-00 | CARBURETOR 1 (J24-14101-00) | 1 | |
| 2 | 796-14184-00-00 | . GASKET, FLOAT CHAMBER . | 1 | |
| 3 | 796-14181-00-00 | . BODY, FLOAT CHMBR 1 | 1 | |
| 4 | J17-14141-00-00 | . NOZZLE, MAIN | 1 | |
| 5 | 3G2-14231-19-00 | . JET, POWER (# 95) | 1 | |
| 6 | 732-14237-00-00 | . GASKET | 1 | |
| 7 | J10-14244-00-00 | . HOLDER, NOZZLE | 1 | |
| 8 | 620-14212-00-00 | . SPRING, PILOT ADJUSTING . | 2 | |
| 9 | 620-14211-00-00 | . SCREW, PILOT ADJUSTING . | 1 | |
| 10 | J10-14122-00-00 | . SCREW, THROTTLE | 1 | |
| 11 | 620-14142-32-00 | . JET, PILOT # 2 | 1 | |
| 12 | 127-14195-00-00 | . WASHER, NEEDLE VALVE . . | 1 | |
| 13 | 353-14190-10-00 | . NEEDLE VALVE ASSEMBLY . | 1 | |
| 14 | 796-14186-00-00 | . PIN, FLOAT | 1 | |
| 15 | 796-14185-00-00 | . FLOAT | 1 | |
| 16 | J10-14581-00-00 | . BRACKET | 1 | |
| 17 | J10-14243-00-00 | . PLATE | 1 | |
| 18 | 98580-03008-00 | . SCREW, PAN HEAD | 2 | |
| 19 | 3G2-14231-18-00 | JET, MAIN (# 90) | | |
| | 3G2-14231-19-00 | JET, POWER (# 95) | | |
| | 3G2-1423A-70-00 | JET, MAIN 97 5 | | |
| | 620-14142-08-00 | JET, PILOT # 0 | | |
| | 620-14142-32-00 | JET, PILOT # 2 | | |
| | 620-14142-35-00 | JET, PILOT # 5 | | |
| | 620-14142-37-00 | JET, PILOT #37 5 | | |
| | 620-14142-42-00 | JET, PILOT #42 5 | | |
| | J10-14131-00-00 | . SPRING, THROTTLE | 1 | |
| | J24-14202-09-00 | THROTTLE SHAFT ASSEMBLY | 1 | |
| | ø62-01414-23-00 | UNAVAILABLE IN PRICE BOOK | 1 | |

EXHAUST

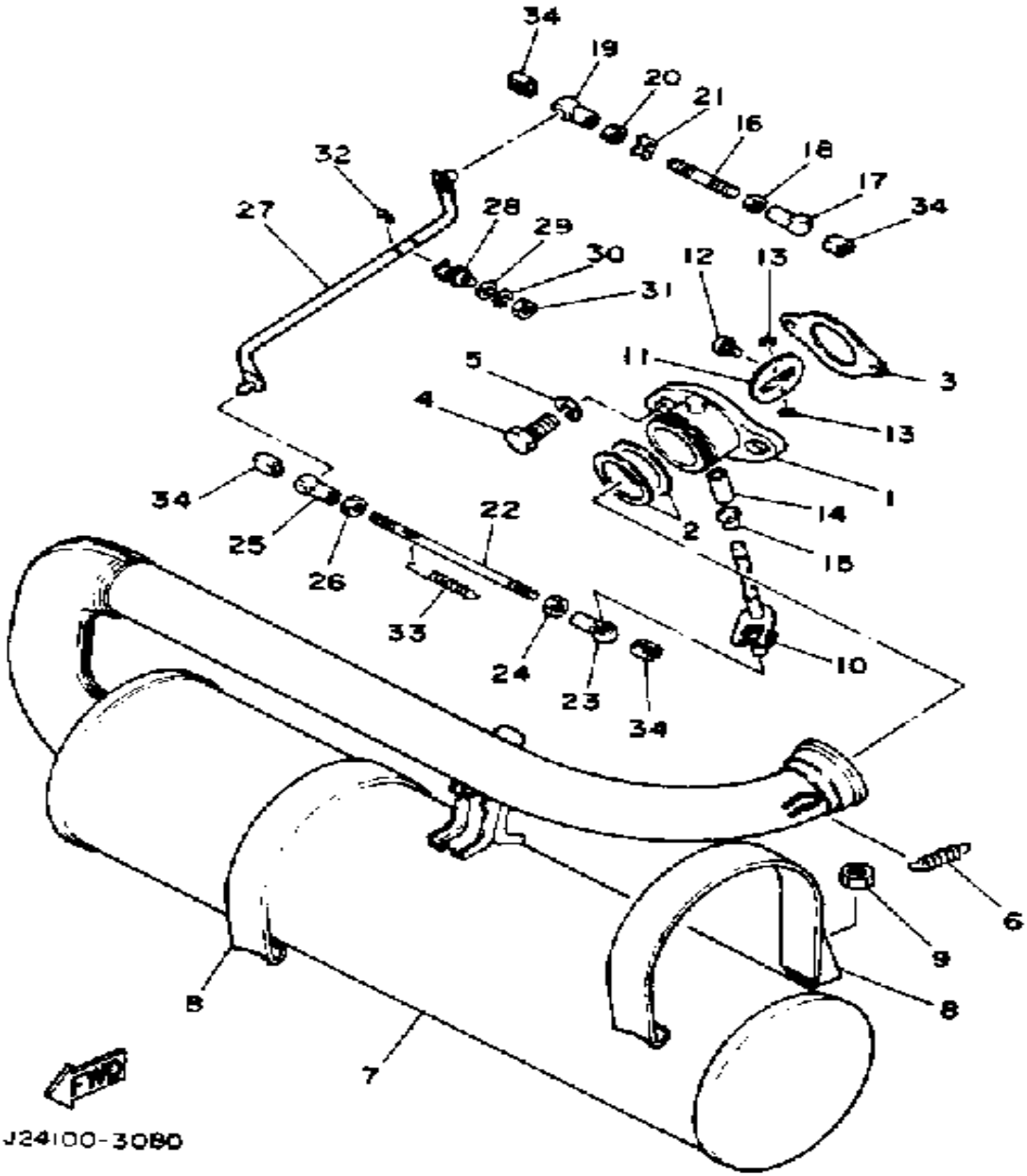


J24100-3080

| Ref. No. | Part Number | Description | Qty | Remarks |
|----------|-----------------|---------------------------|-----|---------|
| 1 | J24-14612-00-00 | NUT, RING | 1 | |
| 2 | 888-14633-00-00 | RING | 2 | |
| 3 | J10-14613-00-00 | GASKET, EXST PIPE | 1 | |
| 4 | 97013-08025-00 | BOLT | 2 | |
| 5 | 92990-08100-00 | WASHER | 2 | |
| 6 | 90506-20074-00 | SPRING, TENSION | 2 | |
| 7 | J24-14610-00-00 | EXHAUST PIPE ASSEMBLY L . | 1 | |
| 8 | J10-14715-01-00 | BAND, MUFFLER | 2 | |
| 9 | 95611-08100-00 | NUT, U | 2 | |
| 10 | J10-14813-01-00 | SHAFT, BUTTERFLY | 1 | |
| 11 | J10-14812-02-00 | VALVE, BUTTERFLY | 1 | |
| 12 | 98580-03008-00 | SCREW, PAN HEAD | 2 | |
| 13 | 99080-05600-00 | CIRCLIP | 2 | |
| 14 | J10-14815-00-00 | GASKET | 1 | |
| 15 | J10-14818-00-00 | COVER, GASKET | 1 | |
| 16 | J10-14836-00-00 | ROD | 1 | |
| 17 | J10-14833-01-00 | JOINT | 1 | |
| 18 | 95311-05700-00 | NUT | 1 | |
| 19 | J10-14864-01-00 | JOINT | 1 | |
| 20 | 90170-05190-00 | NUT, HEXAGON | 1 | |
| 21 | J24-14842-00-00 | PLATE, CON ROD | 1 | |
| 22 | J10-14837-00-00 | CONNECTOR, ROD | 1 | |
| 23 | J10-14833-01-00 | JOINT | 1 | |
| 24 | 95311-05700-00 | NUT | 1 | |
| 25 | J10-14864-01-00 | JOINT | 1 | |
| 26 | 90170-05190-00 | NUT, HEXAGON | 1 | |
| 27 | J10-14802-00-00 | CONNECTER COMP | 1 | |
| 28 | 90464-07034-00 | CLAMP | 2 | |
| 29 | 92901-05600-00 | WASHER, PLATE | 2 | |

CONTINUED ON NEXT FRAME ►

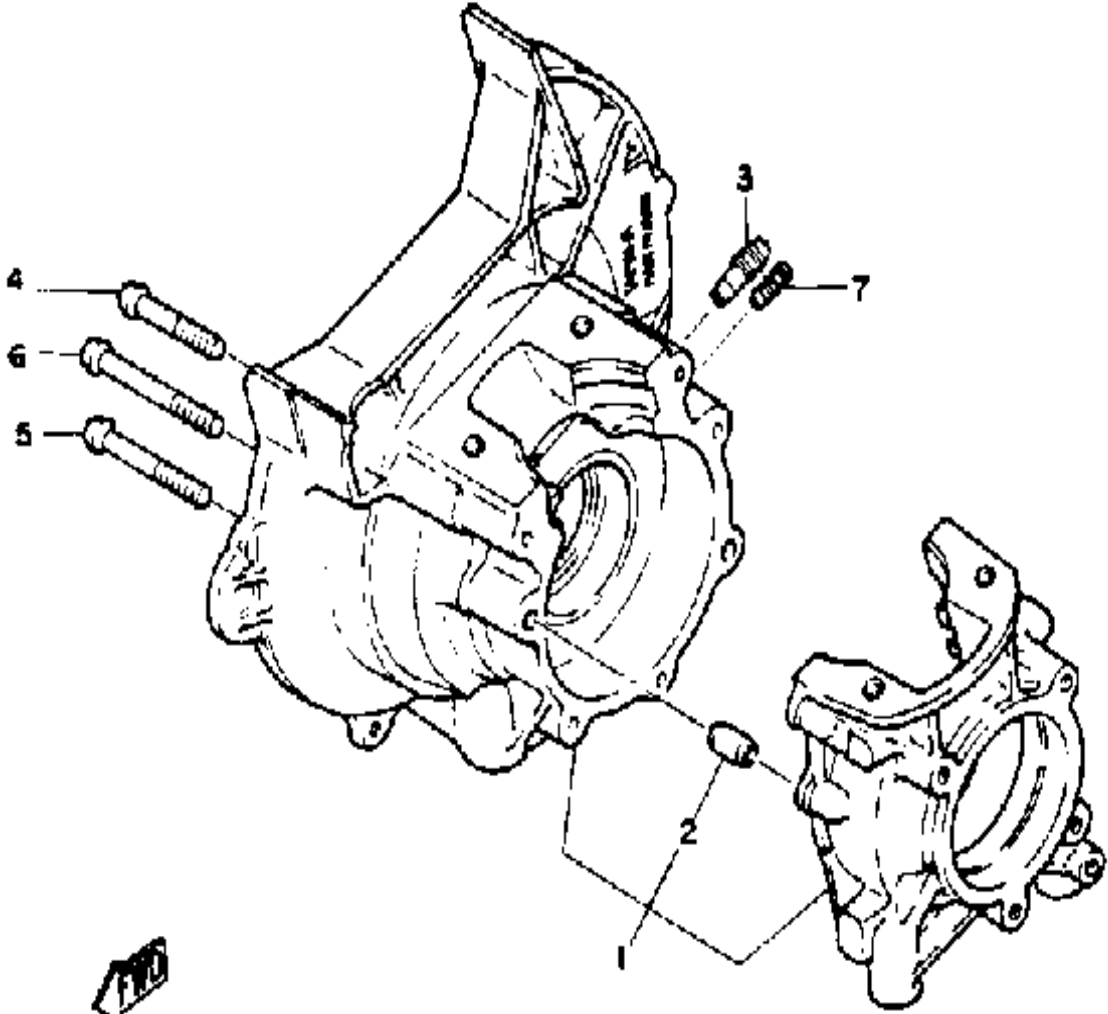
EXHAUST



| Ref. No. | Part Number | Description | Qty | Remarks |
|----------|-----------------|-----------------------|-----|---------|
| 30 | 92990-05100-00 | WASHER, SPRING | 2 | |
| 31 | 95380-05600-00 | NUT | 2 | |
| 32 | 99009-06600-00 | CIRCLIP | 2 | |
| 33 | 90506-06201-00 | SPRING, TENSION | 1 | |
| 34 | J24-14846-00-00 | BOOT, ACTUATOR | 4 | |

J24100-3080

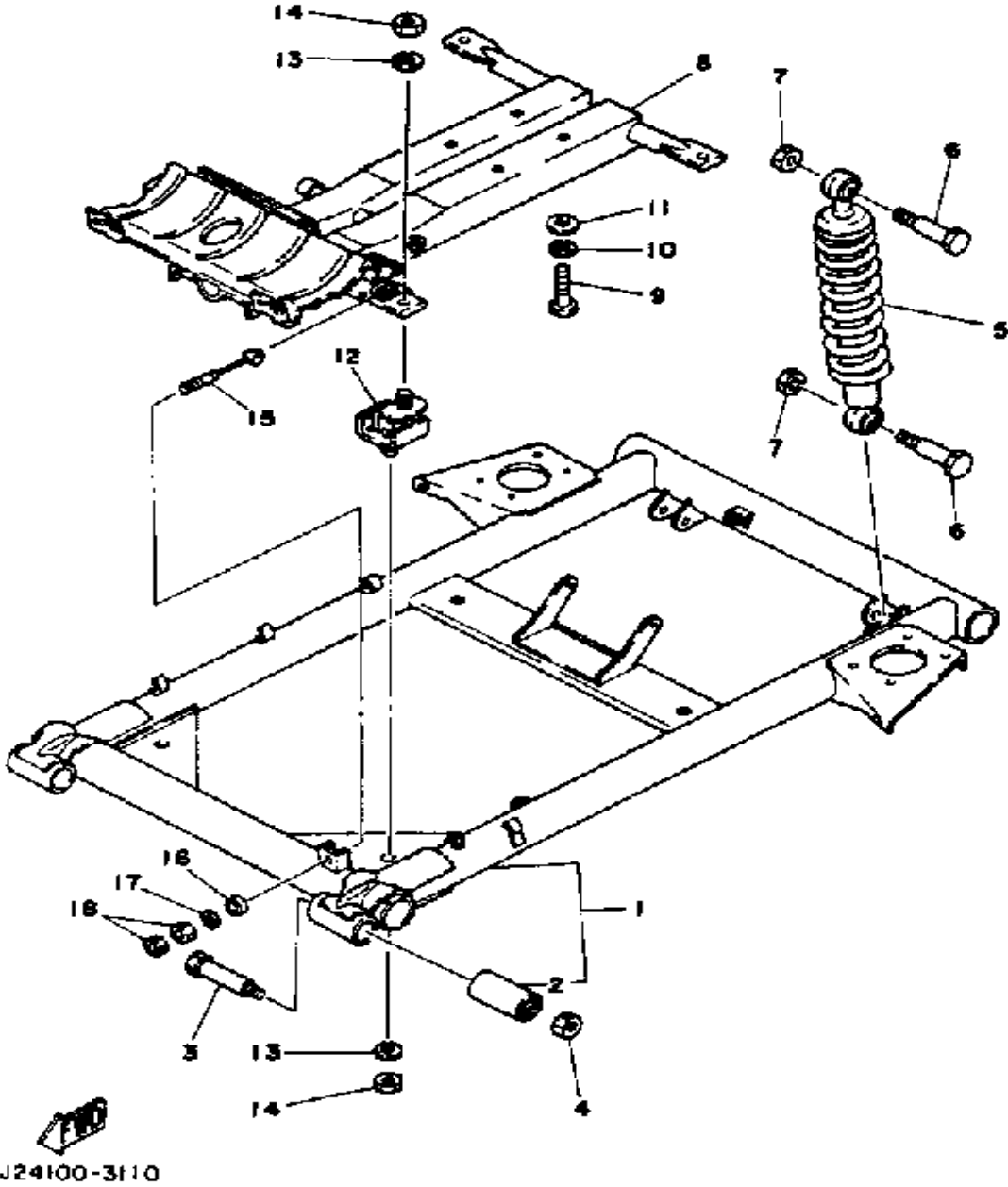
CRANKCASE



J24100-3080

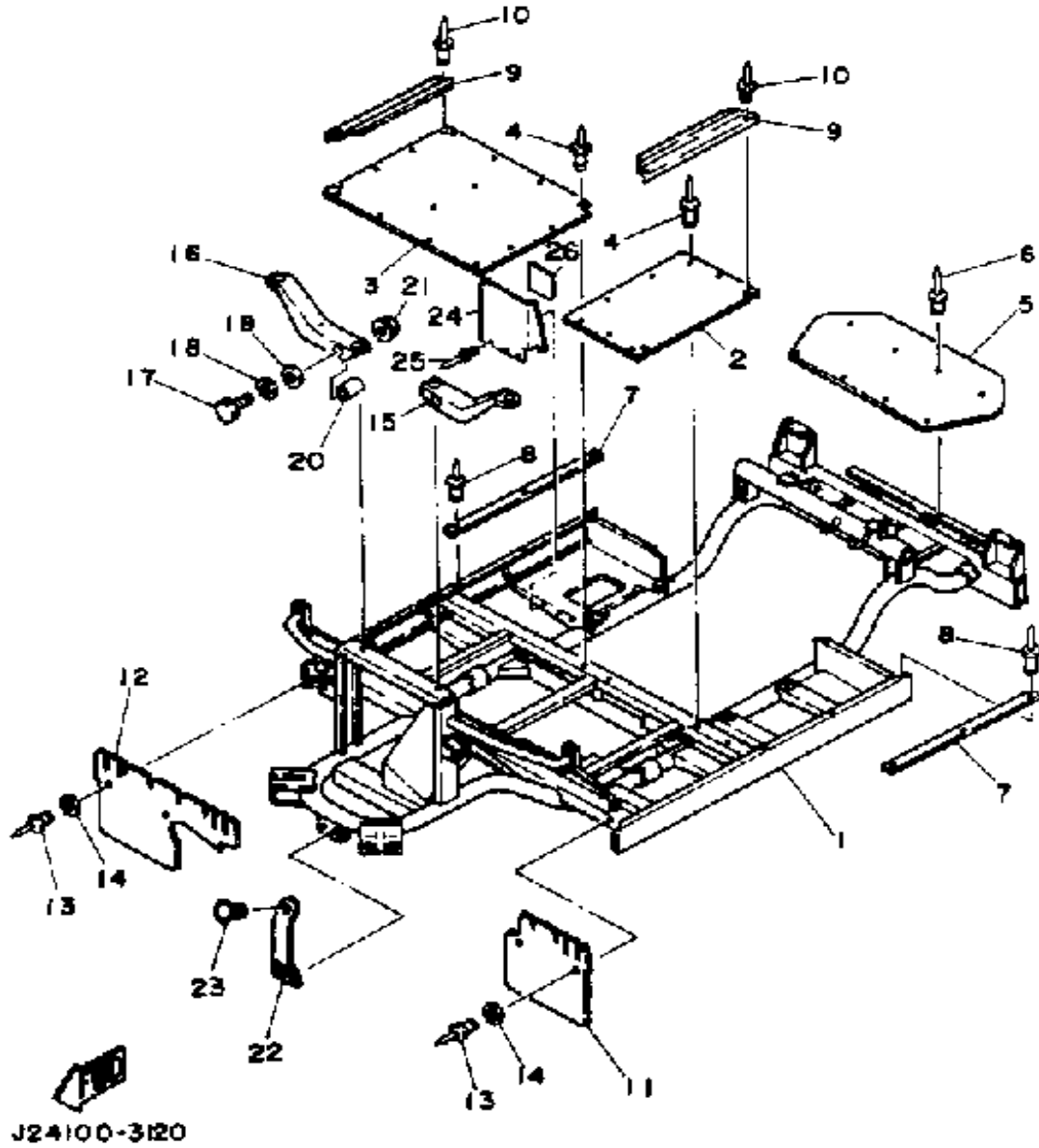
| Ref. No. | Part Number | Description | Qty | Remarks |
|----------|-----------------|----------------------------------|-----|---------|
| 1 | J24-15100-00-00 | CRANKCASE ASSEMBLY | 1 | |
| 2 | 99530-10014-00 | . PIN, DOWEL | 2 | |
| 3 | J38-11116-00-00 | JOINT, BREATHER | 1 | |
| 4 | 98580-06545-00 | SCREW PAN HEAD (92503-06045) | 5 | |
| 5 | 98580-06055-00 | SCREW, pan head (92501-06065-00) | 1 | |
| 6 | 98580-06565-00 | SCREW, PAN HEAD (92501-06065) | 1 | |
| 7 | 18A-15138-00-00 | NOZZLE 1 | 1 | |

REAR SHOCKS



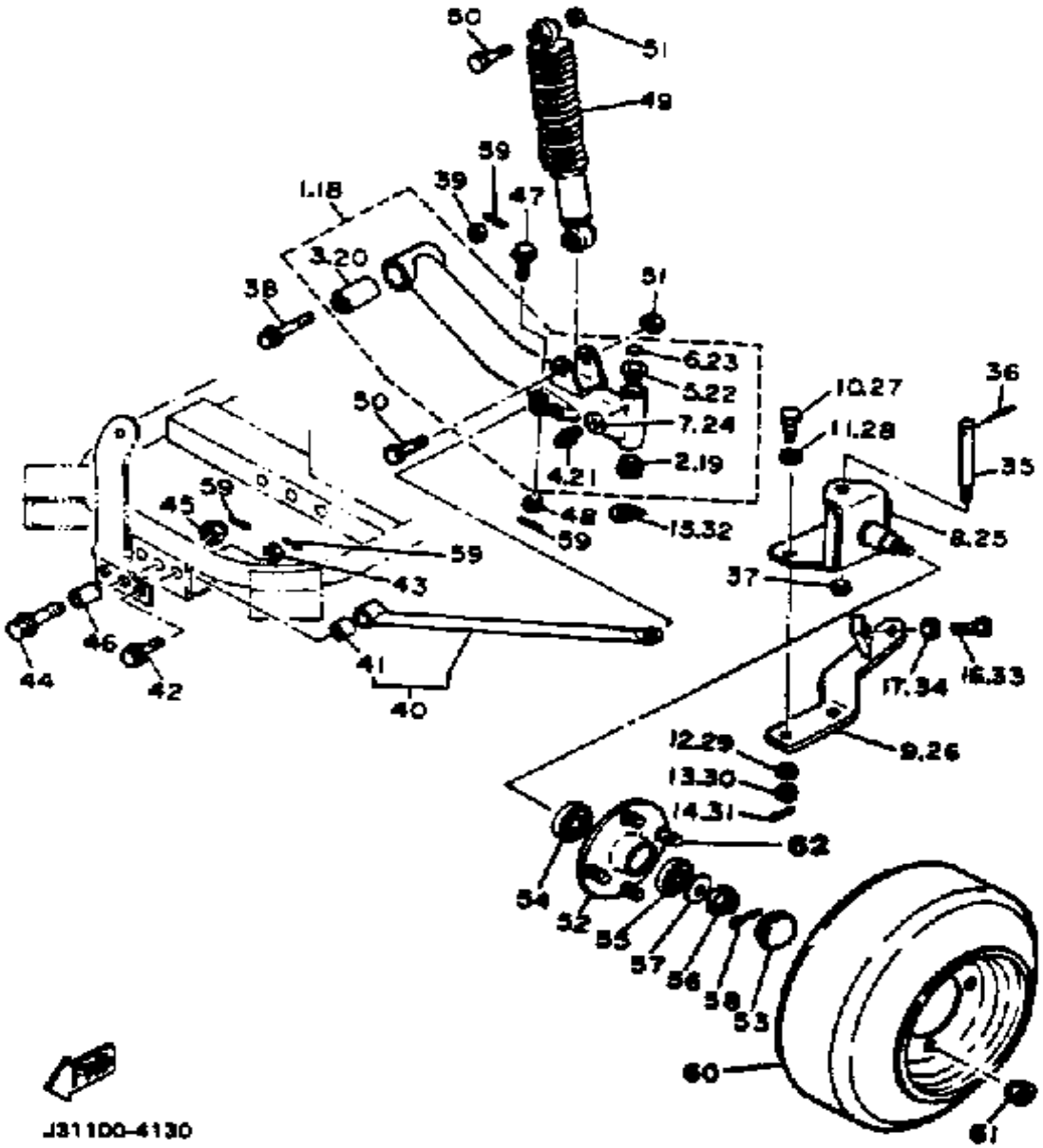
| Ref. No. | Part Number | Description | Qty | Remarks |
|----------|-----------------|-----------------------------------|-----|---------|
| 1 | J17-W2211-00-00 | REAR ARM | 1 | |
| 2 | J10-22123-00-00 | . BUSH 1 | 2 | |
| 3 | 90101-10419-00 | BOLT | 2 | |
| 4 | 95612-10100-00 | NUT, BIND | 2 | |
| 5 | J10-22210-00-00 | SHK/ABS ASSEMBLY, REARASS"Y, REAR | 2 | |
| 6 | 97313-10050-00 | BOLT, HEXAGON (676) | 4 | |
| 7 | 95601-10100-00 | NUT, U (95602-10100-00) | 4 | |
| 8 | J17-21411-00-00 | BRACKET, ENGINE 1 | 1 | |
| 9 | 90106-10034-00 | BOLT, DOME HEAD | 4 | |
| 10 | 92990-10100-00 | WASHER, SPRING | 4 | |
| 11 | 90201-10131-00 | WASHER, PLATE | 4 | |
| 12 | J10-21486-00-00 | DAMPER 2 | 4 | |
| 13 | 92990-10100-00 | WASHER, SPRING | 8 | |
| 14 | 95303-10600-00 | NUT (95301-10600) | 8 | |
| 15 | J31-2217J-01-00 | TENSIONER 1 | 1 | |
| 16 | J17-2214F-00-00 | DAMPER 1 | 1 | |
| 17 | 90201-06778-00 | WASHER, PLATE | 1 | |
| 18 | 95380-06600-00 | NUT | 2 | |

FRAME



| Ref. No. | Part Number | Description | Qty | Remarks |
|----------|------------------|--------------------|-----|---------|
| 1 | J17-22501-00-00 | FRAME | 1 | |
| 2 | J42-22571-00-00 | PANEL 1 | 1 | |
| 3 | J42-22572-00-00 | PANEL 2 | 1 | |
| 4 | 90267-40054-00 | RIVET, BLIND | 20 | |
| 5 | J17-22573-00-00 | PANEL 3 | 1 | |
| 6 | 90267-40076-00 | RIVET, BLIND | 8 | |
| 7 | J17-78249-00-00 | TRIM, FLOOR | 2 | |
| 8 | 90267-40090-00 | RIVET, blind | 6 | |
| 9 | J17-78181-00-00 | PLATE 1 | 2 | |
| 10 | 90267-48086-00 | RIVET, BLIND | 4 | |
| 11 | J17-78187-00-00 | FLAP, FRONT FENDER | 1 | |
| 12 | J17-78189-00-00 | FLAP, FRONT RIGHT | 1 | |
| 13 | 90267-40075-00 | RIVET, BLIND | 5 | |
| 14 | 90201-05034-00 | WASHER, PLATE | 5 | |
| 15 | J17-22567-00-00 | SUPPORT 1 | 1 | |
| 16 | J17-22568-00-00 | SUPPORT 2 | 1 | |
| 17 | 97021-08065-00 | BOLT | 2 | |
| 18 | 92990-08100-00 | WASHER | 2 | |
| 19 | 92901-08600-00 | WASHER | 2 | |
| 20 | 90387-090G6-00 | COLLAR | 2 | |
| 21 | 95701-08500-00 | NUT, FLANGE | 2 | |
| 22 | J17-2258E-00-00 | SUPPORT, COWL | 1 | |
| 23 | J11-77279-01-00 | DAMPER, NOISE 9 | 1 | |
| 24 | J24-2255V-00-00 | PLATE, BATT COVER | 1 | |
| 25 | (90267-32063-00) | RIVET, BLIND | 4 | |
| 26 | J24-2255Y-00-00 | PAD, BATT COVER | 1 | |

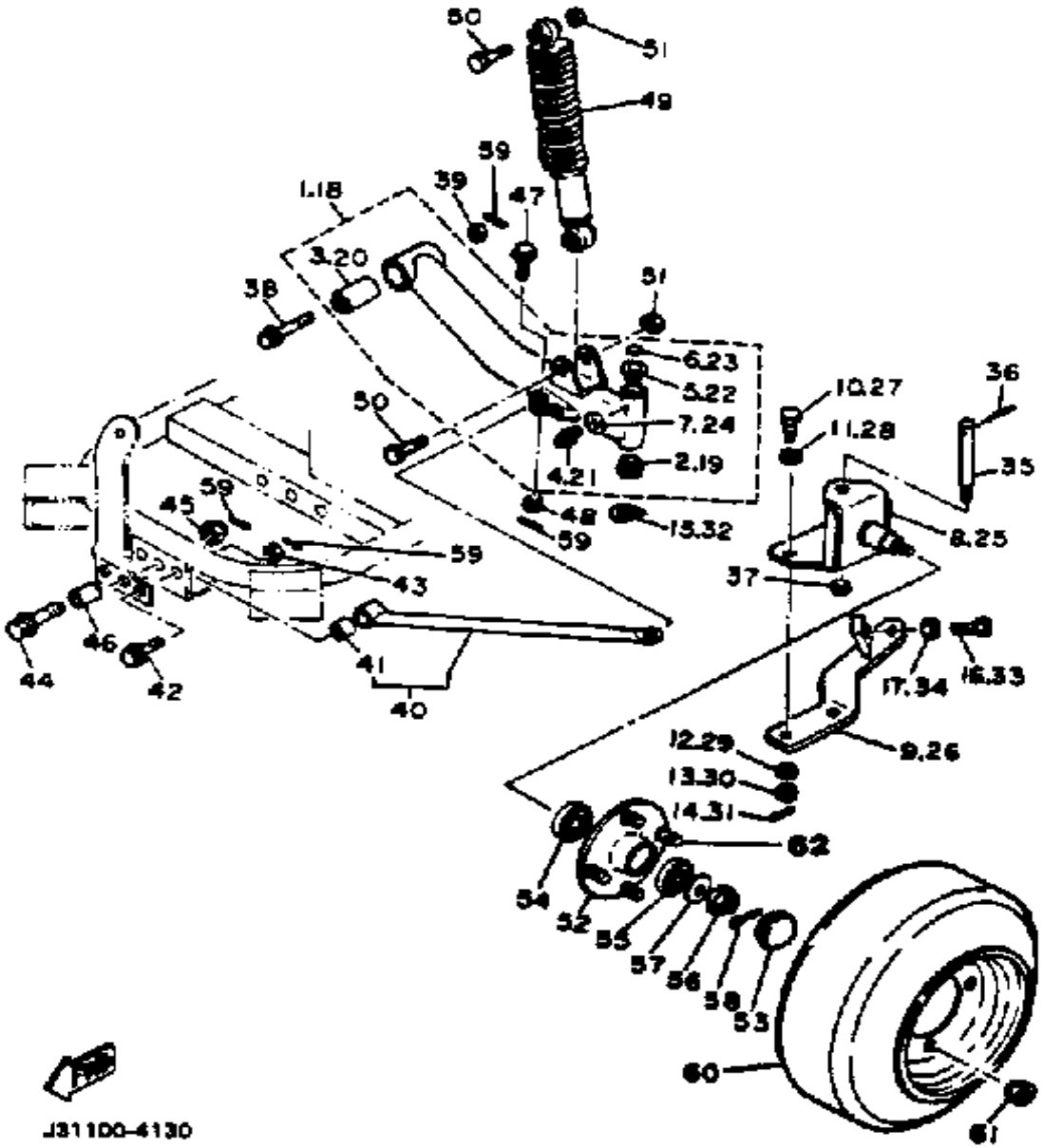
FRONT SUSPENSION-WHEEL



| Ref. No. | Part Number | Description | Qty | Remarks |
|----------|-----------------|-------------------------------|-----|---------|
| 1 | J42-W2351-00-00 | FRONT LOWER ARM LHCOMP. (L.H) | 1 | |
| 2 | 90381-15032-00 | . BUSH, SOLID | 1 | |
| 3 | J10-23526-00-00 | . BUSH | 1 | |
| 4 | 93700-06M03-00 | . NIPPLE, GREASE | 1 | |
| 5 | 90381-15040-00 | . BUSH, SOLID | 1 | |
| 6 | 93210-15566-00 | . O-RING | 1 | |
| 7 | 90201-067F9-00 | . WASHER, PLATE | 1 | |
| 8 | J17-23510-00-00 | KNUCKLE, STEERING 1 | 1 | |
| 9 | J11-23512-00-00 | ARM, KNUCKLE 1 | 1 | |
| 10 | 90109-10643-00 | BOLT | 2 | |
| 11 | 90201-121F0-00 | WASHER, PLATE | 2 | |
| 12 | 90201-105F2-00 | WASHER, PLATE | 2 | |
| 13 | 90171-10035-00 | NUT, CASTLE | 2 | |
| 14 | 91490-25030-00 | PIN, COTTER | 2 | |
| 15 | 90214-16027-00 | WASHER, CLAW | 1 | |
| 16 | 97313-08030-00 | BOLT, HEXAGON | 1 | |
| 17 | 95303-08700-00 | NUT | 1 | |
| 18 | J42-W2352-00-00 | FRONT LOWER ARM RHCOMP (R.H) | 1 | |
| 19 | 90381-15032-00 | . BUSH, SOLID | 1 | |
| 20 | J10-23526-00-00 | . BUSH | 1 | |
| 21 | 93700-06M03-00 | . NIPPLE, GREASE | 1 | |
| 22 | 90381-15040-00 | . BUSH, SOLID | 1 | |
| 23 | 93210-15566-00 | . O-RING | 1 | |
| 24 | 90201-067F9-00 | . WASHER, PLATE | 1 | |
| 25 | J17-23510-00-00 | KNUCKLE, STEERING 1 | 1 | |
| 26 | J11-23522-00-00 | ARM, KNUCKLE 2 | 1 | |
| 27 | 90109-10643-00 | BOLT | 2 | |

CONTINUED ON NEXT FRAME ►

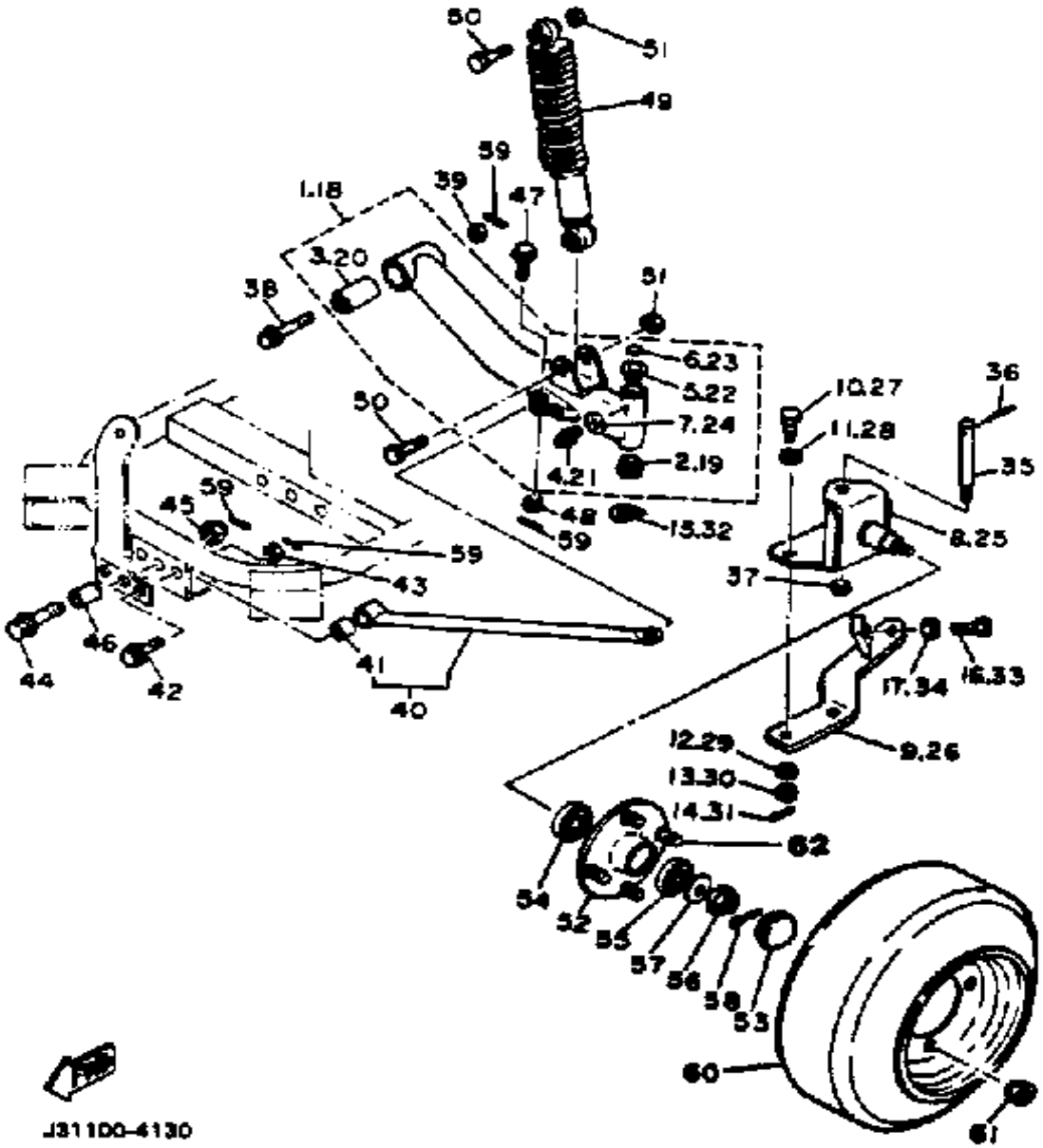
FRONT SUSPENSION-WHEEL



| Ref. No. | Part Number | Description | Qty | Remarks |
|----------|-----------------|--|-----|---------|
| 28 | 90201-121F0-00 | WASHER, PLATE | 2 | |
| 29 | 90201-105F2-00 | WASHER, PLATE | 2 | |
| 30 | 90171-10035-00 | NUT, CASTLE | 2 | |
| 31 | 91490-25030-00 | PIN, COTTER | 2 | |
| 32 | 90214-16027-00 | WASHER, CLAW | 1 | |
| 33 | 97313-08030-00 | BOLT, HEXAGON | 1 | |
| 34 | 95303-08700-00 | NUT | 1 | |
| 35 | J10-23516-02-00 | KING PIN, STRG KNKL | 2 | |
| 36 | 91401-30030-00 | PIN, COTTER | 2 | |
| 37 | 95712-12300-00 | 2 | 2 | |
| 38 | 90105-10224-00 | BOLT, WASHER BASED | 2 | |
| 39 | 95601-10200-00 | NUT, SELF-LOCKING | 2 | |
| 40 | J17-W2355-00-00 | ROD, TENSION | 2 | |
| 41 | J10-23583-01-00 | . BUSH | 1 | |
| 42 | 90105-08225-00 | BOLT, WASHER BASED | 2 | |
| 43 | 95601-08200-00 | NUT, U | 2 | |
| 44 | 90105-12226-00 | BOLT, WASHER BASED | 1 | |
| 45 | 95601-12200-00 | NUT, SELF-LOCKING | 1 | |
| 46 | 90387-137F6-00 | COLLAR | 1 | |
| 47 | 90102-12046-00 | BOLT, WITH HOLE | 2 | |
| 48 | 95601-12200-00 | NUT, SELF-LOCKING | 2 | |
| 49 | J42-23350-00-00 | SHOCK ABSORBER ASSEMBLY (J10-23350-00) ... | 2 | |
| 50 | 97313-10050-00 | BOLT, HEXAGON (676) | 4 | |
| 51 | 95612-10100-00 | NUT, BIND | 4 | |
| 52 | J17-W2511-00-00 | HUB, FRONT | 2 | |
| 53 | J17-25118-00-00 | COVER, HUB DUST | 2 | |
| 54 | 93306-00511-00 | BEARING | 2 | |
| 55 | 93306-20437-00 | BEARING | 2 | |

CONTINUED ON NEXT FRAME ►

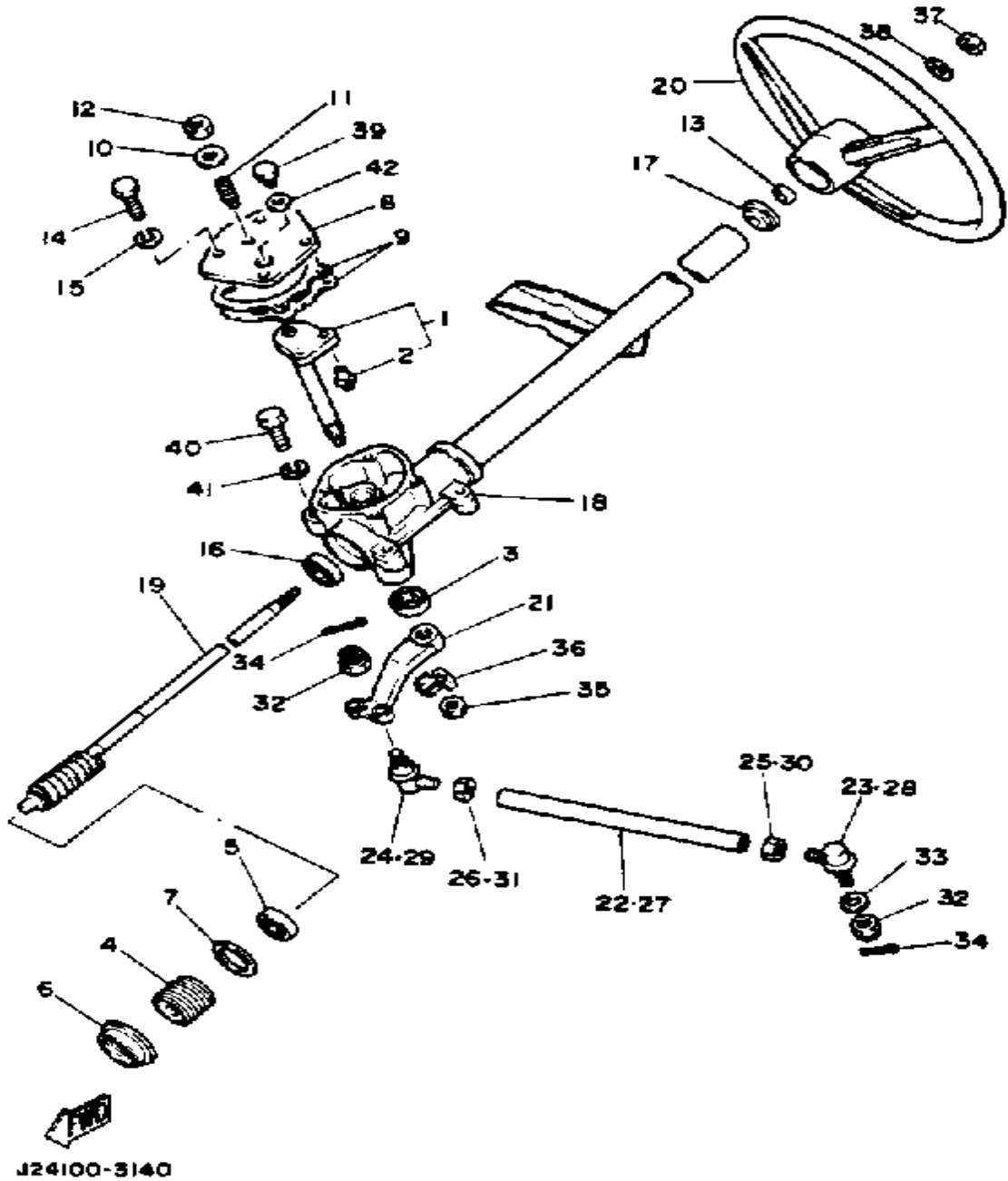
FRONT SUSPENSION-WHEEL



| Ref. No. | Part Number | Description | Qty | Remarks |
|----------|----------------|----------------------|-----|---------------|
| 56 | 95301-14900-00 | NUT, SLOTTED | 2 | |
| 57 | 90209-14219-00 | WASHER, SPEC'L SHAP | 2 | |
| 58 | 91401-30030-00 | PIN, COTTER | 2 | |
| 59 | 91490-25030-00 | PIN, COTTER | 7 | |
| 60 | *--- | FRONT WHEEL ASSEMBLY | 2 | LM (SEE NOTE) |
| 61 | 90179-12262-00 | NUT | 8 | |
| 62 | 90114-12003-00 | BOLT, RIBBED NECK | 8 | |

J31100-4130

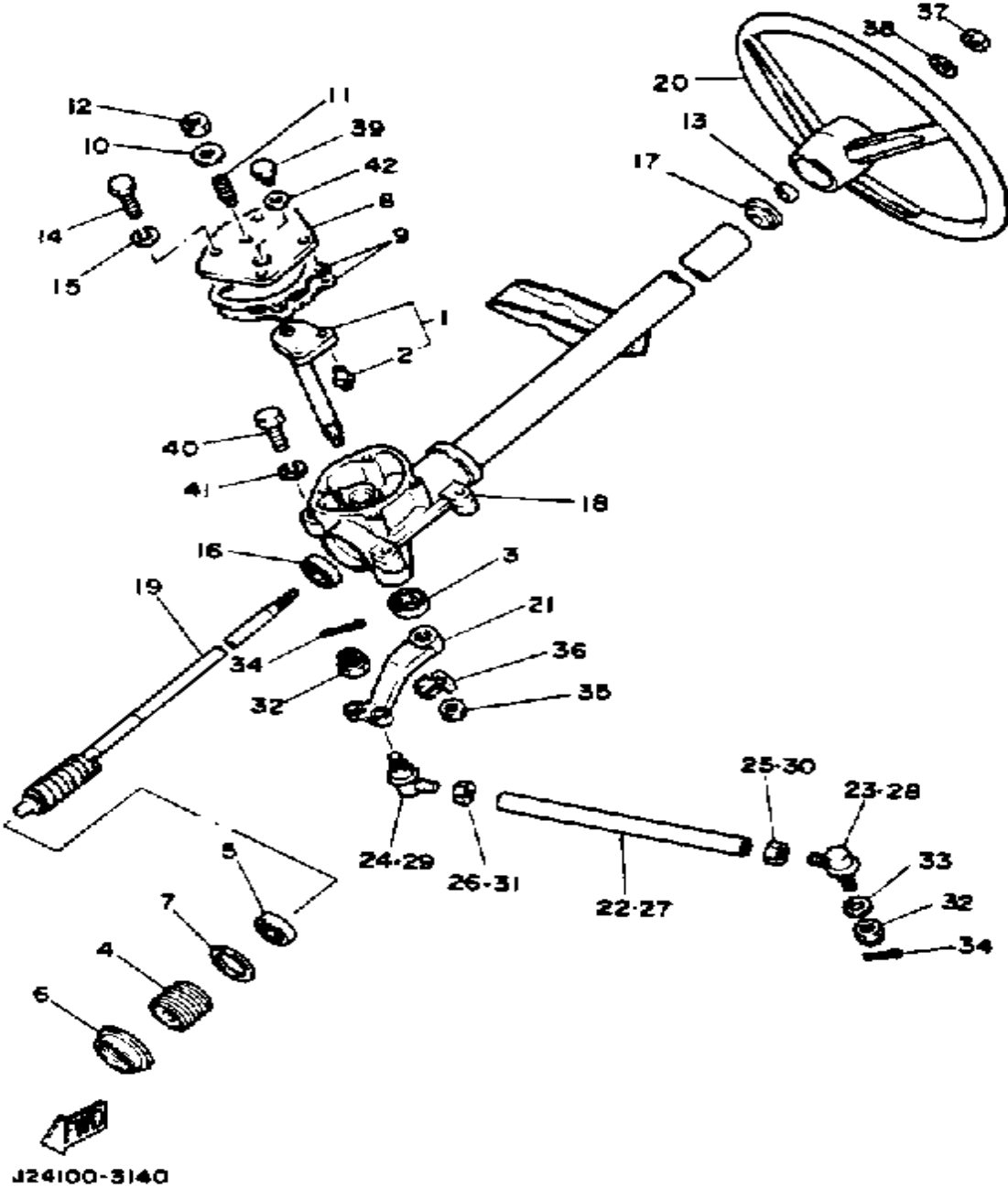
STEERING



| Ref. No. | Part Number | Description | Qty | Remarks |
|----------|-----------------|--------------------------------|-----|-------------|
| 1 | J24-23816-01-00 | ARM, PITMAN (J24-23816-00) | 1 | |
| 2 | J10-23836-09-00 | . PIN, PITMAN | 2 | |
| 3 | 93102-22087-00 | OIL SEAL | 1 | |
| 4 | J55-F3876-00-00 | BOLT | 1 | |
| 5 | 93332-00010-00 | BEARING | 1 | |
| 6 | J10-23877-00-00 | NUT | 1 | |
| 7 | J10-23444-00-00 | WASHER | 1 | |
| 8 | J10-23818-00-00 | COVER, STEERING | 1 | |
| 9 | J10-23462-00-00 | SEAL, STEERING | 2 | |
| 10 | 90201-08087-00 | WASHER, PLATE | 1 | |
| 11 | J10-23459-00-00 | BOLT | 1 | |
| 12 | 90170-08024-00 | NUT, HEX. | 1 | |
| 13 | 93104-15005-00 | OIL SEAL, SO-TYPE | 1 | |
| 14 | 97313-08020-00 | BOLT, HEXAGON | 4 | |
| 15 | 92990-08100-00 | WASHER | 4 | |
| 16 | 93332-00010-00 | BEARING | 1 | |
| 17 | J10-23814-00-00 | HOLDER, HANDLE UPR | 1 | |
| 18 | J10-23811-01-9E | COLUMN, STEERING | 1 | IVORY WHITE |
| 19 | J10-23840-00-00 | STEERING SHAFT | 1 | |
| 20 | J55-F3838-00-00 | WHEEL, STEERING (J10-23838-00) | 1 | |
| 21 | J24-23826-00-00 | ARM, IDLER | 1 | |
| 22 | J10-23831-00-00 | ROD, TIE | 1 | |
| 23 | J10-23841-10-00 | JOINT, UNIVERSAL 1 | 1 | |
| 24 | J10-23845-10-00 | JOINT, UNIVERSAL 2 | 1 | |
| 25 | 90170-12054-00 | NUT | 1 | |
| 26 | 90170-12055-00 | NUT | 1 | |
| 27 | J10-23831-00-00 | ROD, TIE | 1 | |
| 28 | J10-23841-10-00 | JOINT, UNIVERSAL 1 | 1 | |

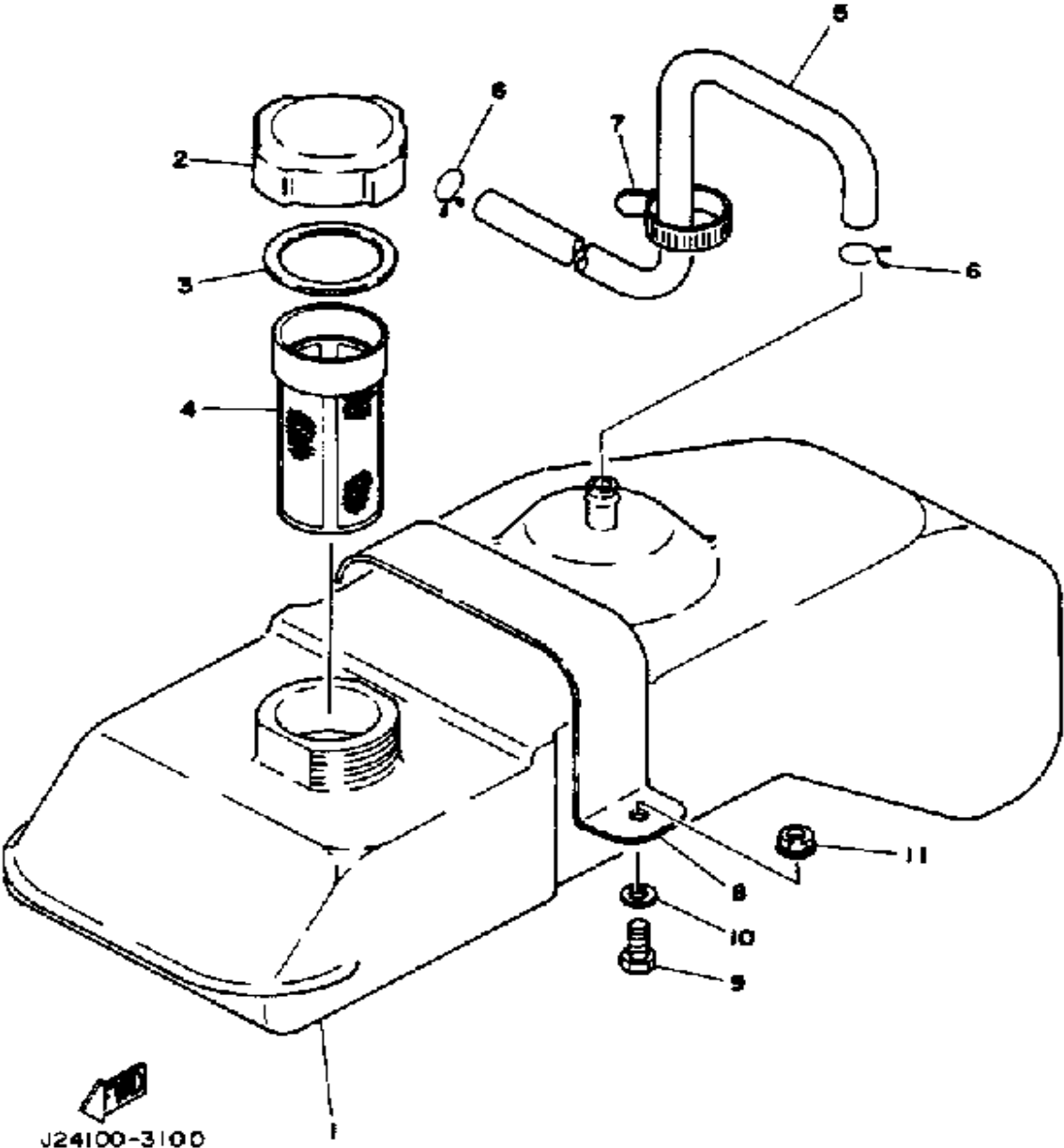
CONTINUED ON NEXT FRAME ►

STEERING



| Ref. No. | Part Number | Description | Qty | Remarks |
|----------|-----------------|----------------------|-----|---------|
| 29 | J10-23845-10-00 | JOINT, UNIVERSAL 2 | 1 | |
| 30 | 90170-12054-00 | NUT | 1 | |
| 31 | 90170-12055-00 | NUT | 1 | |
| 32 | 95301-12900-00 | NUT, SLOTTED | 4 | |
| 33 | 92990-12600-00 | WASHER, PLATE | 2 | |
| 34 | 91401-30030-00 | PIN, COTTER | 4 | |
| 35 | 95701-16300-00 | NUT, FLANGE | 1 | |
| 36 | 90215-16161-00 | WASHER, LOCK | 1 | |
| 37 | 90185-12119-00 | NUT, SELF-LOCKING | 1 | |
| 38 | 92990-12200-00 | WASHER, PLAIN | 1 | |
| 39 | 90340-14029-00 | PLUG, STRAIGHT SCREW | 1 | |
| 40 | 97313-10050-00 | BOLT, HEXAGON (676) | 4 | |
| 41 | 92990-10100-00 | WASHER, SPRING | 4 | |
| 42 | 90430-14175-00 | GASKET | 1 | |

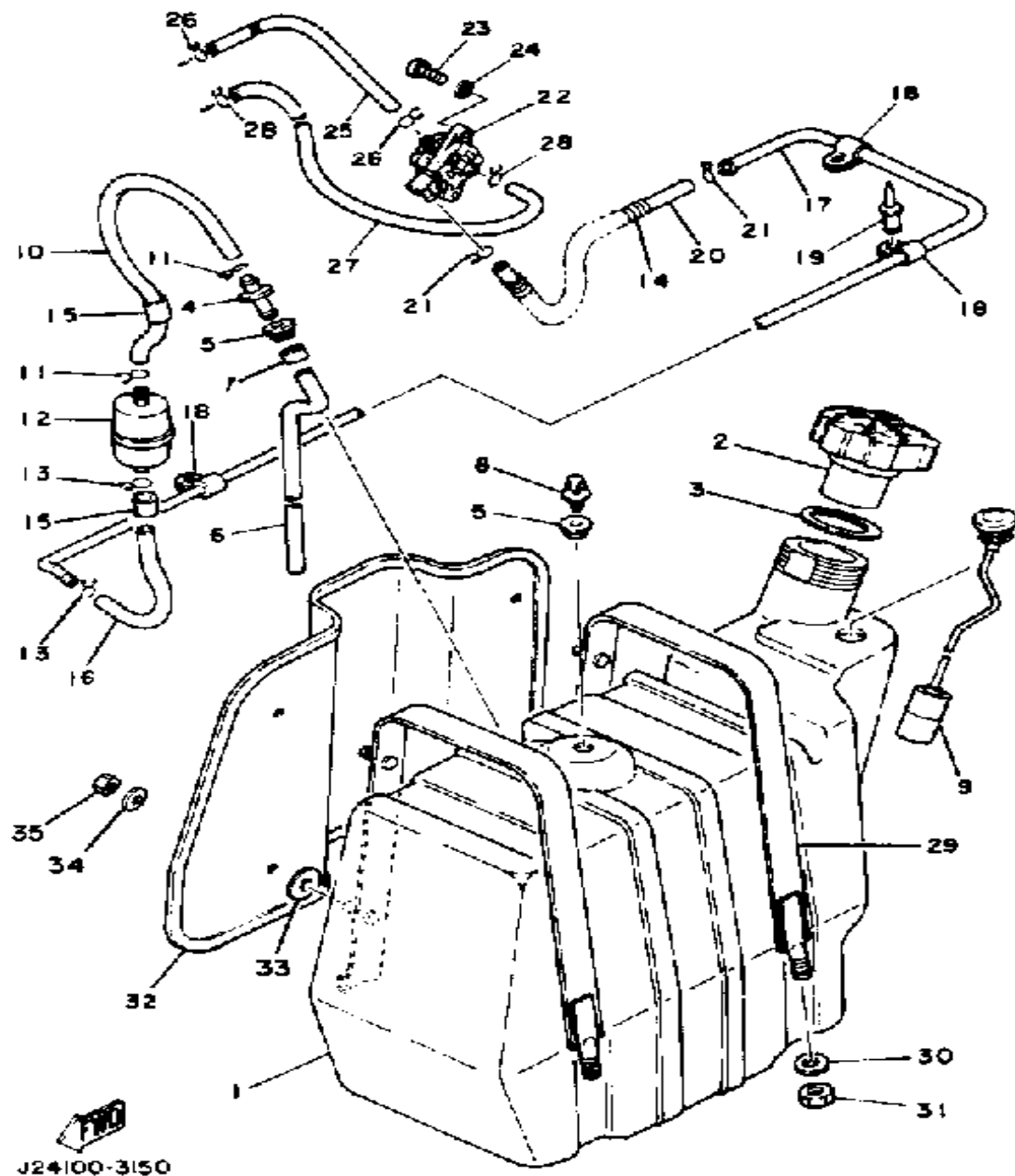
OIL TANK



| Ref. No. | Part Number | Description | Qty | Remarks |
|----------|-----------------|---------------------------|-----|---------|
| 1 | J17-21751-00-00 | TANK, OIL | 1 | |
| 2 | 863-21771-00-00 | BODY, CAP | 1 | |
| 3 | 90430-31003-00 | GASKET | 1 | |
| 4 | J17-21756-00-00 | NET, FILTER | 1 | |
| 5 | J10-21745-00-00 | PIPE, OIL TNK BRTHR | 1 | |
| 6 | 90467-11009-00 | CLIP | 2 | |
| 7 | 90464-12036-00 | CLAMP | 1 | |
| 8 | J17-21776-00-00 | BAND, TANK FITTING | 1 | |
| 9 | 97313-06016-00 | BOLT, HEXAGON | 2 | |
| 10 | 90201-063J2-00 | WASHER, PLATE | 2 | |
| 11 | 95601-06200-00 | NUT, U FLANGE | 2 | |

J24100-3100

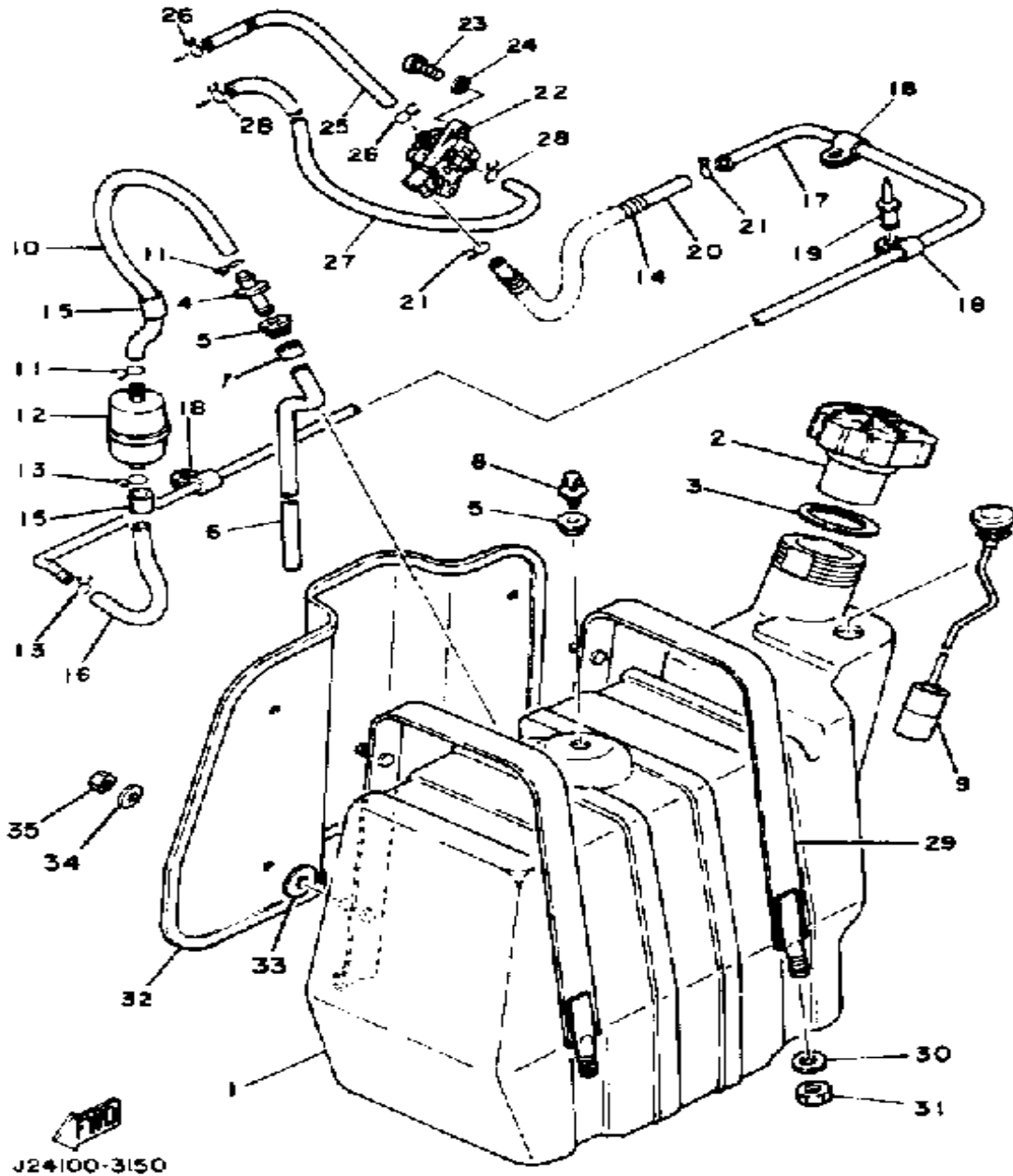
FUEL TANK



| Ref. No. | Part Number | Description | Qty | Remarks |
|----------|-----------------|--|-----|---------|
| 1 | J17-24111-00-00 | FUEL TANK | 1 | |
| 2 | J24-24620-01-00 | BODY CAP ASSEMBLY | 1 | |
| 3 | J10-24612-00-00 | GASKET, CAP | 1 | |
| 4 | J10-24461-00-00 | PIPE, JOINT | 1 | |
| 5 | J10-21773-00-00 | GROMMET | 2 | |
| 6 | J10-24311-00-00 | PIPE, FUEL 1 | 1 | |
| 7 | 90468-04092-00 | CLIP | 1 | |
| 8 | J24-24460-01-00 | RELEASE VALVE ASSEMBLY | 1 | |
| 9 | J17-85710-01-00 | FUEL LVL GAUGE ASSEMBLY (J17-85710-00) | 1 | |
| 10 | J10-24312-00-00 | PIPE 2 | 1 | |
| 11 | 90467-11009-00 | CLIP | 2 | |
| 12 | 809-24560-01-00 | FILTER ASSEMBLY | 1 | |
| 13 | 90467-11009-00 | CLIP | 2 | |
| 14 | 90501-08486-00 | SPRING, COMPRESSION | 1 | |
| 15 | J10-24366-00-00 | CLAMP, FUEL PIPE 1 | 2 | |
| 16 | 90445-11288-00 | HOSE | 1 | |
| 17 | J10-24313-00-00 | PIPE 3 | 1 | |
| 18 | 90461-04011-00 | CLAMP | 3 | |
| 19 | 90267-40054-00 | RIVET, BLIND | 3 | |
| 20 | 90445-11491-00 | HOSE | 1 | |
| 21 | 90467-11009-00 | CLIP | 2 | |
| 22 | J10-24410-02-00 | FUEL PUMP ASSEMBLY | 1 | |
| 23 | 98580-06018-00 | SCREW, PAN HEAD | 2 | |
| 24 | 92995-06100-00 | WASHER, SPRING | 2 | |
| 25 | 90445-09069-00 | HOSE | 1 | |
| 26 | 90467-08017-00 | CLIP | 2 | |
| 27 | 90445-10449-00 | HOSE | 1 | |

CONTINUED ON NEXT FRAME ►

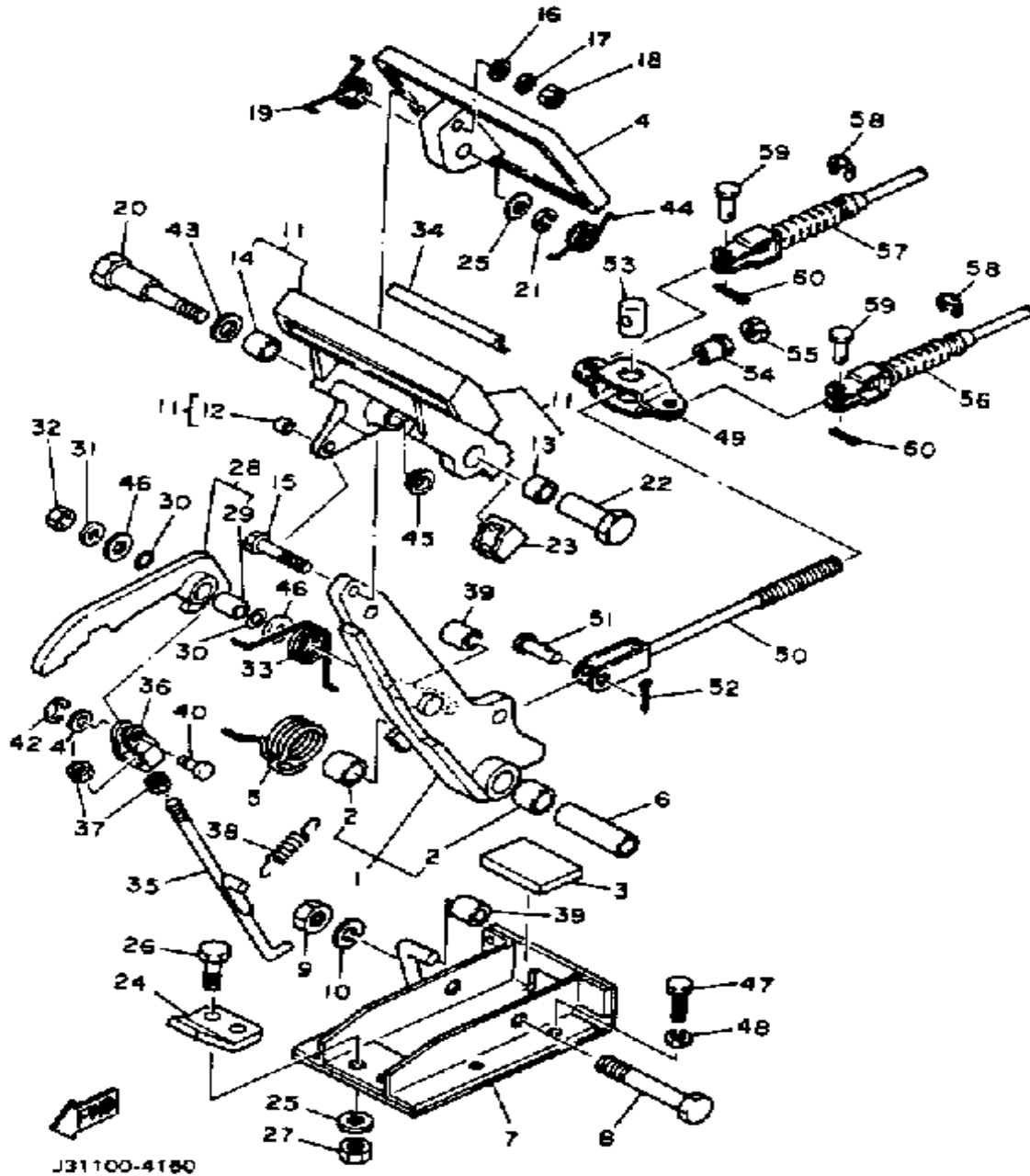
FUEL TANK



| Ref. No. | Part Number | Description | Qty | Remarks |
|----------|-----------------|---------------------|-----|---------|
| 28 | 90467-09006-00 | CLIP | 2 | |
| 29 | J17-24173-00-00 | BAND, TNK FITTING 1 | 2 | |
| 30 | 90201-08107-00 | WASHER, PLATE | 2 | |
| 31 | 95611-08100-00 | NUT, U | 2 | |
| 32 | J17-24129-01-00 | COVER, SIDE 1 | 1 | |
| 33 | 90202-08111-00 | WASHER, PLATE | 4 | |
| 34 | 90201-06067-00 | WASHER, PLATE | 3 | |
| 35 | 95601-06100-00 | NUT, U | 4 | |

J24100-3150

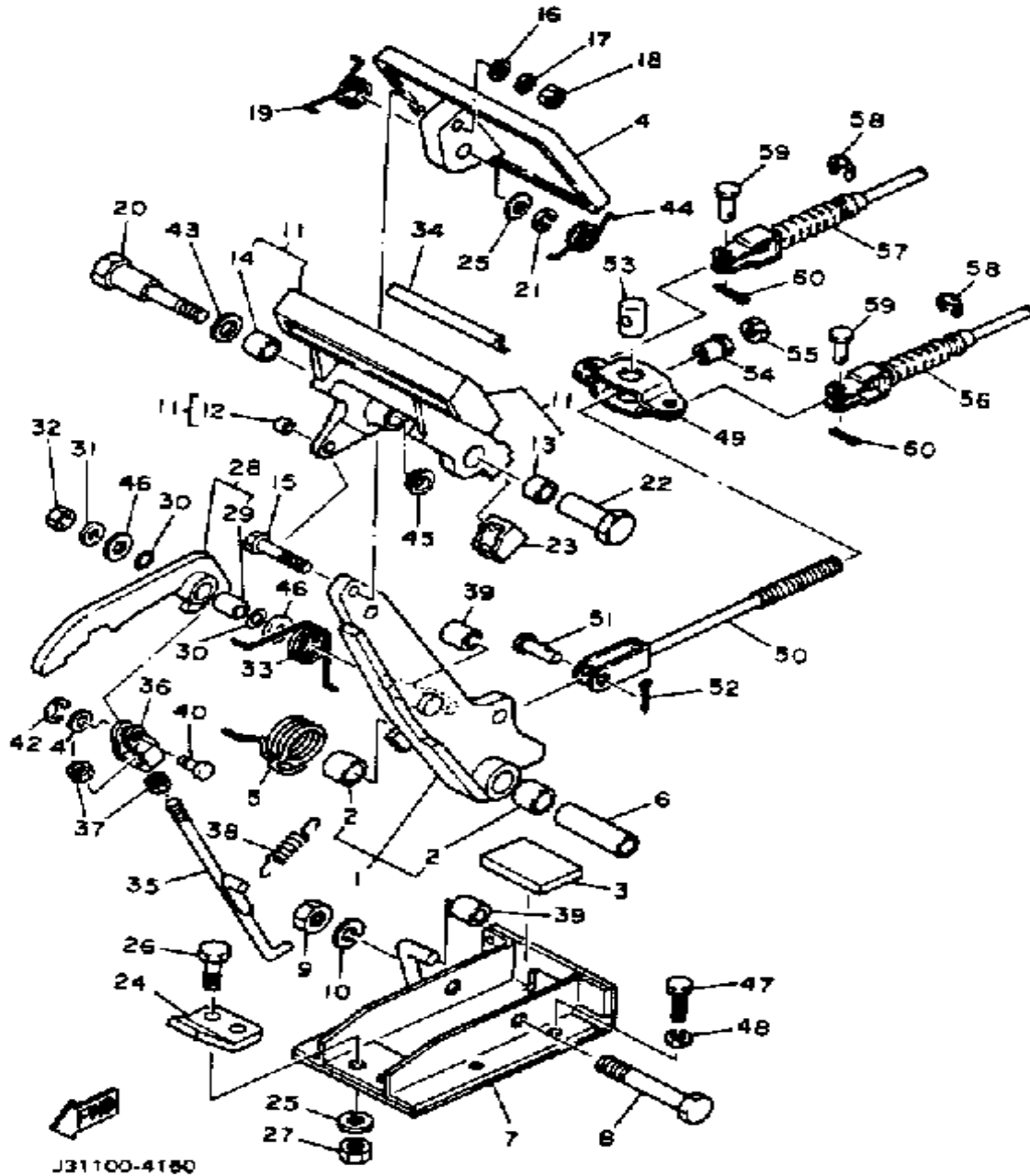
BRAKE



| Ref. No. | Part Number | Description | Qty | Remarks |
|----------|-----------------|--|-----|---------|
| 1 | 92990-10600-00 | . WASHER, PLATE | 1 | |
| | 99080-07600-00 | . CIRCLIP (E) | 1 | |
| | 99999-01757-00 | BRAKE ARM CMLPT (J17-27250-01) | 1 | |
| | J17-27250-02-00 | . BRAKE ARM COMP. | 1 | |
| 2 | 90384-14080-00 | . BUSH, BIMETAL | 2 | |
| 3 | J17-27245-00-00 | PAD, BRAKE PEDAL | 1 | |
| 4 | J10-27211-00-00 | PEDAL, BRAKE | 1 | |
| 5 | 90508-40543-00 | SPRING, TORSION | 1 | |
| 6 | 90387-107F8-00 | COLLAR | 1 | |
| 7 | J17-25654-00-00 | BRACKET, PEDAL | 1 | |
| 8 | 90101-10447-00 | BOLT, HEX. | 1 | |
| 9 | 95601-10100-00 | NUT, U (95602-10100-00) | 1 | |
| 10 | 92990-10100-00 | WASHER, SPRING | 1 | |
| 11 | 99999-01799-00 | PARKING PEDAL COMP. (J17-25670-00) | 1 | |
| 12 | 90384-05163-00 | . BUSH, BIMETAL | 1 | |
| 13 | 90384-12164-00 | . BUSH, BIMETAL | 1 | |
| 14 | 90380-12051-00 | . BUSH, SOLID | 1 | |
| 15 | 90101-06555-00 | BOLT, HEX. | 1 | |
| 16 | 92990-06200-00 | WASHER | 1 | |
| 17 | 92995-06100-00 | WASHER, SPRING | 1 | |
| 18 | 95380-06600-00 | NUT | 1 | |
| 19 | 90508-23542-00 | SPRING, TORSION | 1 | |
| 20 | 90109-08669-00 | BOLT | 1 | |
| 21 | 92990-08100-00 | WASHER | 1 | |
| 22 | 90179-08378-00 | NUT | 1 | |
| 23 | J17-25679-01-00 | DAMPER | 1 | |
| 24 | J17-27246-00-00 | NAIL, BRAKE | 1 | |

CONTINUED ON NEXT FRAME ►

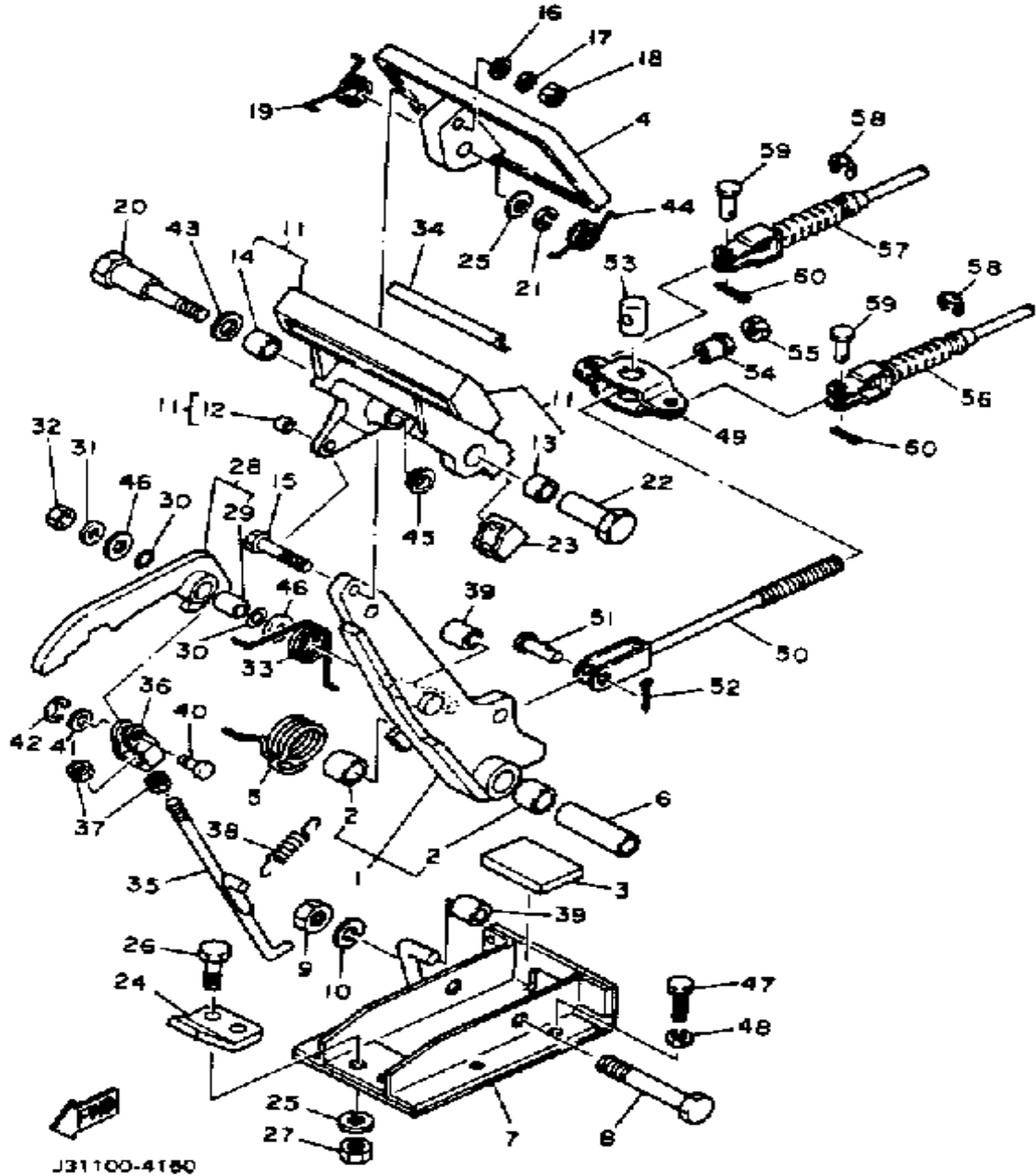
BRAKE



| Ref. No. | Part Number | Description | Qty | Remarks |
|----------|-----------------|-----------------------|-----|---------|
| 25 | 92990-08200-00 | WASHER, PLAIN | 3 | |
| 26 | 97001-08025-00 | BOLT (1NV) | 2 | |
| 27 | 95611-08100-00 | NUT, U | 2 | |
| 28 | J17-W2561-00-00 | SECTOR, PARKING BRAKE | 1 | |
| 29 | 90384-10162-00 | BUSH, BIMETAL | 1 | |
| 30 | J17-27221-00-00 | SEAL, SHAFT | 2 | |
| 31 | 90201-065F3-00 | WASHER, PLATE | 1 | |
| 32 | 95601-06100-00 | NUT, U | 1 | |
| 33 | 90508-14548-00 | SPRING, TORSION | 1 | |
| 34 | J17-25672-01-00 | PAD, PARKING | 1 | |
| 35 | J17-27231-02-00 | ROD, BRAKE | 1 | |
| 36 | J17-27232-00-00 | END, ROD | 1 | |
| 37 | 95380-06700-00 | NUT | 2 | |
| 38 | 90506-12277-00 | SPRING, TENSION | 1 | |
| 39 | J17-25673-00-00 | DAMPER, BRAKE | 2 | |
| 40 | J17-27228-00-00 | PIN, LINK JOINT | 1 | |
| 41 | 92901-05600-00 | WASHER, PLATE | 1 | |
| 42 | 99080-04600-00 | CIRCLIP (E) | 1 | |
| 43 | 90201-123F2-00 | WASHER, PLAIN | 1 | |
| 44 | 90508-26557-00 | SPRING, TORSION | 1 | |
| 45 | 90380-12105-00 | BUSH, SOLID | 1 | |
| 46 | 90201-104G8-00 | WASHER, PLAIN | 2 | |
| 47 | 97011-06016-00 | BOLT | 4 | |
| 48 | 92995-06100-00 | WASHER, SPRING | 4 | |
| 49 | J10-25681-00-00 | EQUALIZER, BRAKE | 1 | |
| 50 | J20-25685-00-00 | ROD | 1 | |
| 51 | 91701-10022-00 | PIN | 1 | |
| 52 | 91490-30020-00 | PIN, COTTER | 1 | |
| 53 | 90249-14129-00 | PIN | 1 | |

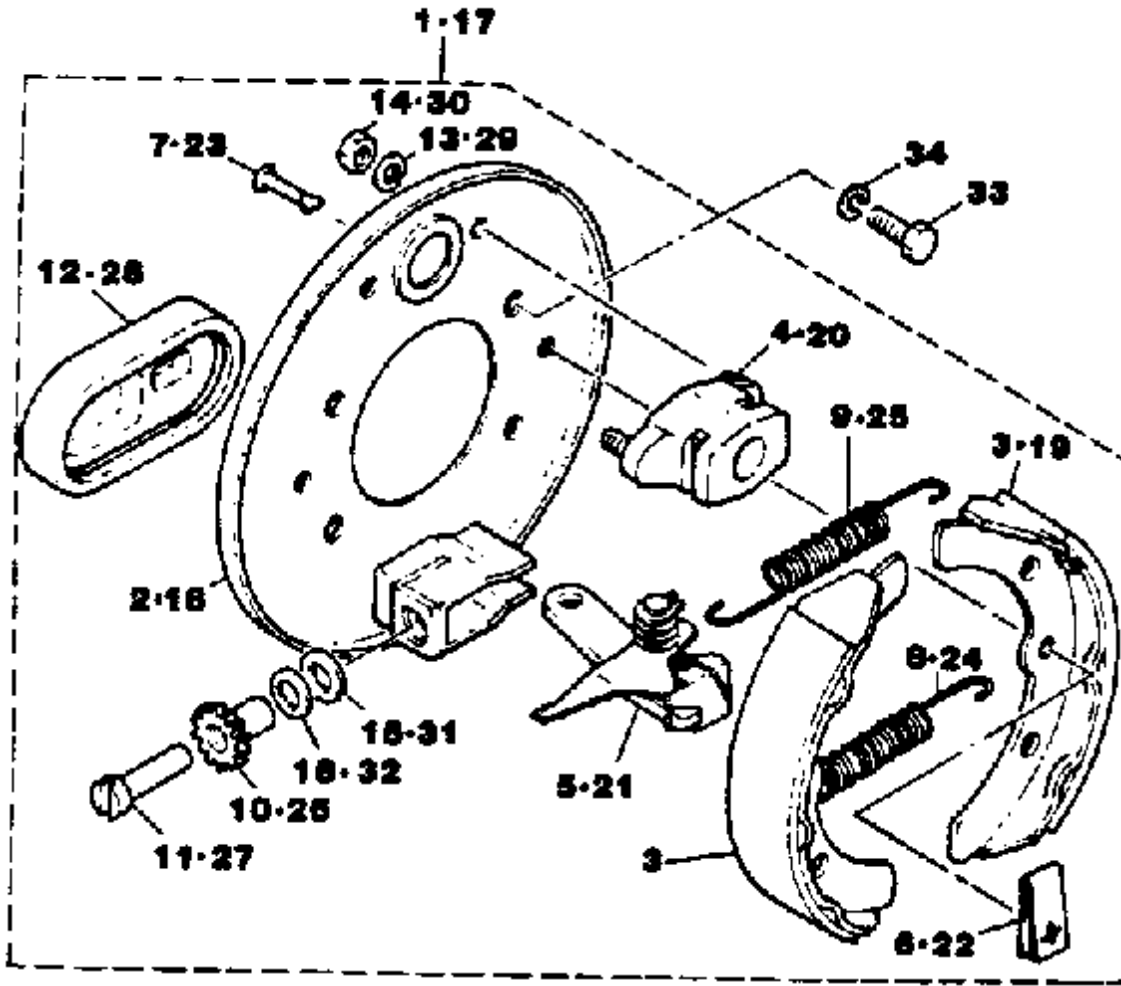
CONTINUED ON NEXT FRAME ►

BRAKE



| Ref. No. | Part Number | Description | Qty | Remarks |
|----------|-----------------|--------------------|-----|---------|
| 54 | 90179-08261-00 | NUT | 1 | |
| 55 | 95303-08700-00 | NUT | 1 | |
| 56 | J56-F6341-00-00 | CABLE, BRAKE | 1 | |
| 57 | J56-F6351-00-00 | CABLE, BRAKE | 1 | |
| 58 | 99001-09600-00 | CIRCLIP | 4 | |
| 59 | 91701-08018-00 | PIN | 4 | |
| 60 | 91490-25020-00 | PIN, COTTER | 4 | |

BRAKE 2

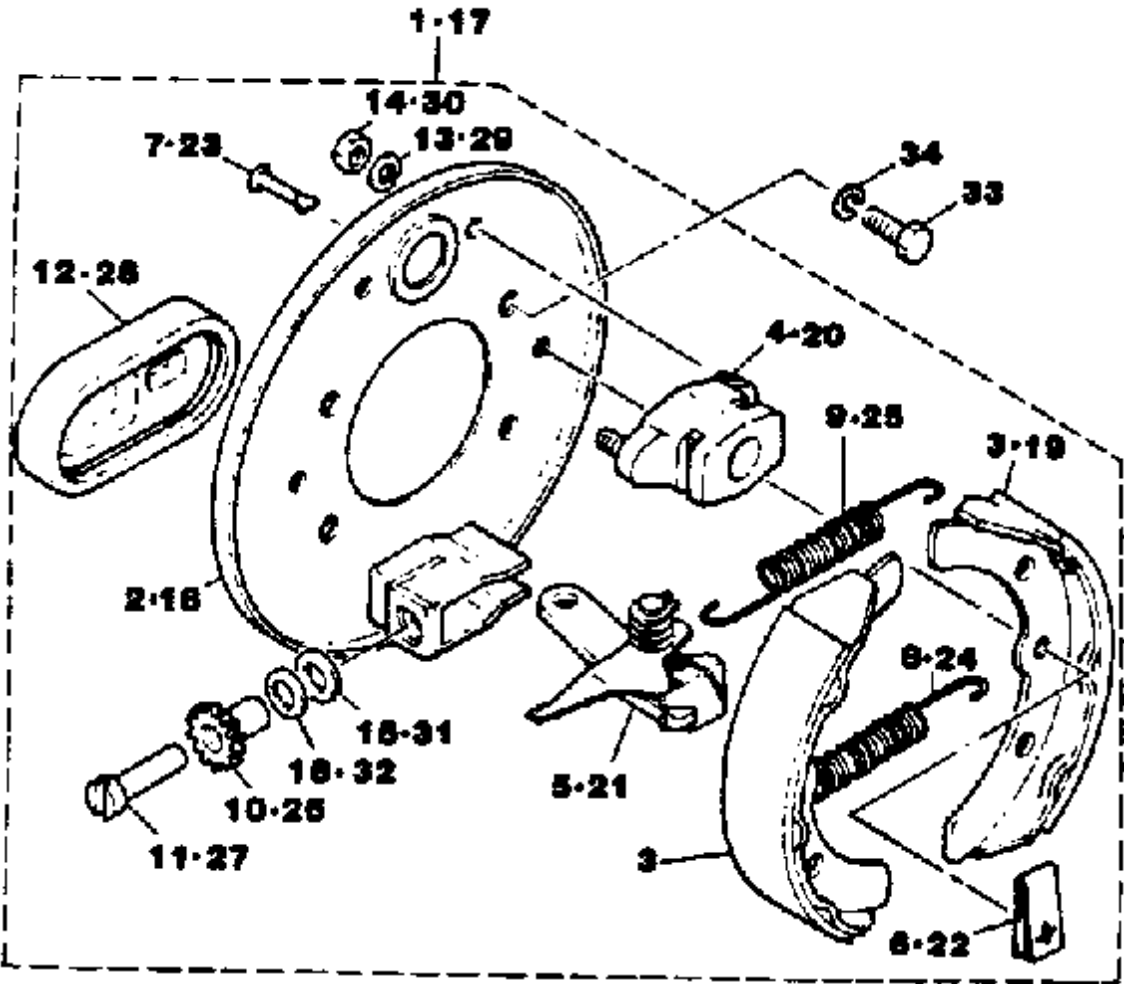


J31100-4170

| Ref. No. | Part Number | Description | Qty | Remarks |
|----------|-----------------|--|-----|---------|
| 1 | J17-27280-01-00 | BACKING PLT ASSEMBLY 1 .. | 1 | |
| 2 | J17-27208-00-00 | . BACKING PLATE SUB ASSEMBLY 1 (R.H) | 1 | |
| 3 | J55-25340-00-00 | . UNAVAILABLE IN PRICE BOOK (J17-25340-00) | 1 | |
| 4 | J17-27206-00-00 | . ANCHOR BODY COMP. | 1 | |
| 5 | J17-27204-01-00 | . LEVER ASSEMBLY 1 | 1 | |
| 6 | J10-27281-00-00 | . SPRING, SHOE CLAMP | 2 | |
| 7 | J10-27282-00-00 | . PIN, SHOE HOLD DOWN | 2 | |
| 8 | 90506-20281-00 | . SPRING, TENSION | 1 | |
| 9 | 90506-26191-00 | . SPRING, TENSION | 1 | |
| 10 | J17-27238-00-00 | . NUT, ADJUSTING | 1 | |
| 11 | 90109-08657-00 | . BOLT | 1 | |
| 12 | J10-27286-00-00 | . COVER, DUST | 1 | |
| 13 | 92995-06100-00 | . WASHER, SPRING | 2 | |
| 14 | 95380-06600-00 | . NUT | 2 | |
| 15 | 90201-121H8-00 | . WASHER, PLATE | 1 | |
| 16 | 90201-121H9-00 | . WASHER, PLATE | 1 | |
| 17 | J17-27290-01-00 | BACKING PLT ASSEMBLY 2 .. | 1 | |
| 18 | J17-27209-00-00 | . BACKING PLATE SUB ASSEMBLY 2 (L.H) | 1 | |
| 19 | J55-25340-00-00 | . UNAVAILABLE IN PRICE BOOK (J17-25340-00) | 1 | |
| 20 | J17-27206-00-00 | . ANCHOR BODY COMP. | 1 | |
| 21 | J17-27205-01-00 | . LEVER ASSEMBLY 2 | 1 | |
| 22 | J10-27281-00-00 | . SPRING, SHOE CLAMP | 2 | |
| 23 | J10-27282-00-00 | . PIN, SHOE HOLD DOWN | 2 | |
| 24 | 90506-20281-00 | . SPRING, TENSION | 1 | |
| 25 | 90506-26191-00 | . SPRING, TENSION | 1 | |
| 26 | J17-27258-00-00 | . NUT, ADJUSTING | 1 | |

CONTINUED ON NEXT FRAME ►

BRAKE 2

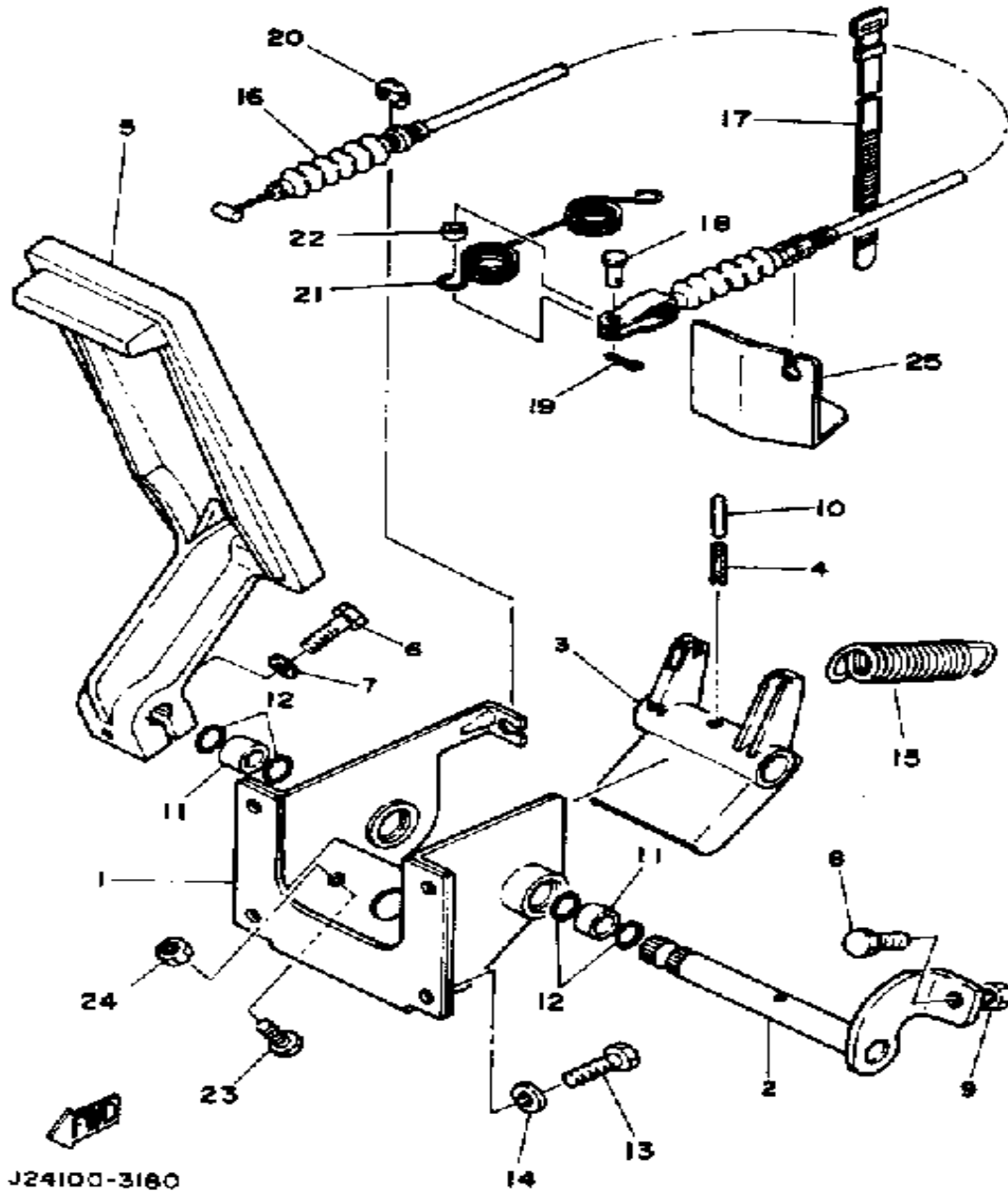


| Ref. No. | Part Number | Description | Qty | Remarks |
|----------|-----------------|------------------------|-----|---------|
| 27 | 90109-08659-00 | . BOLT | 1 | |
| 28 | J10-27286-00-00 | . COVER, DUST | 1 | |
| 29 | 92995-06100-00 | . WASHER, SPRING | 2 | |
| 30 | 95380-06600-00 | . NUT | 2 | |
| 31 | 90201-121H8-00 | . WASHER, PLATE | 1 | |
| 32 | 90201-121H9-00 | . WASHER, PLATE | 1 | |
| 33 | 97313-08016-00 | BOLT, HEXAGON | 8 | |
| 34 | 92990-08100-00 | WASHER | 8 | |



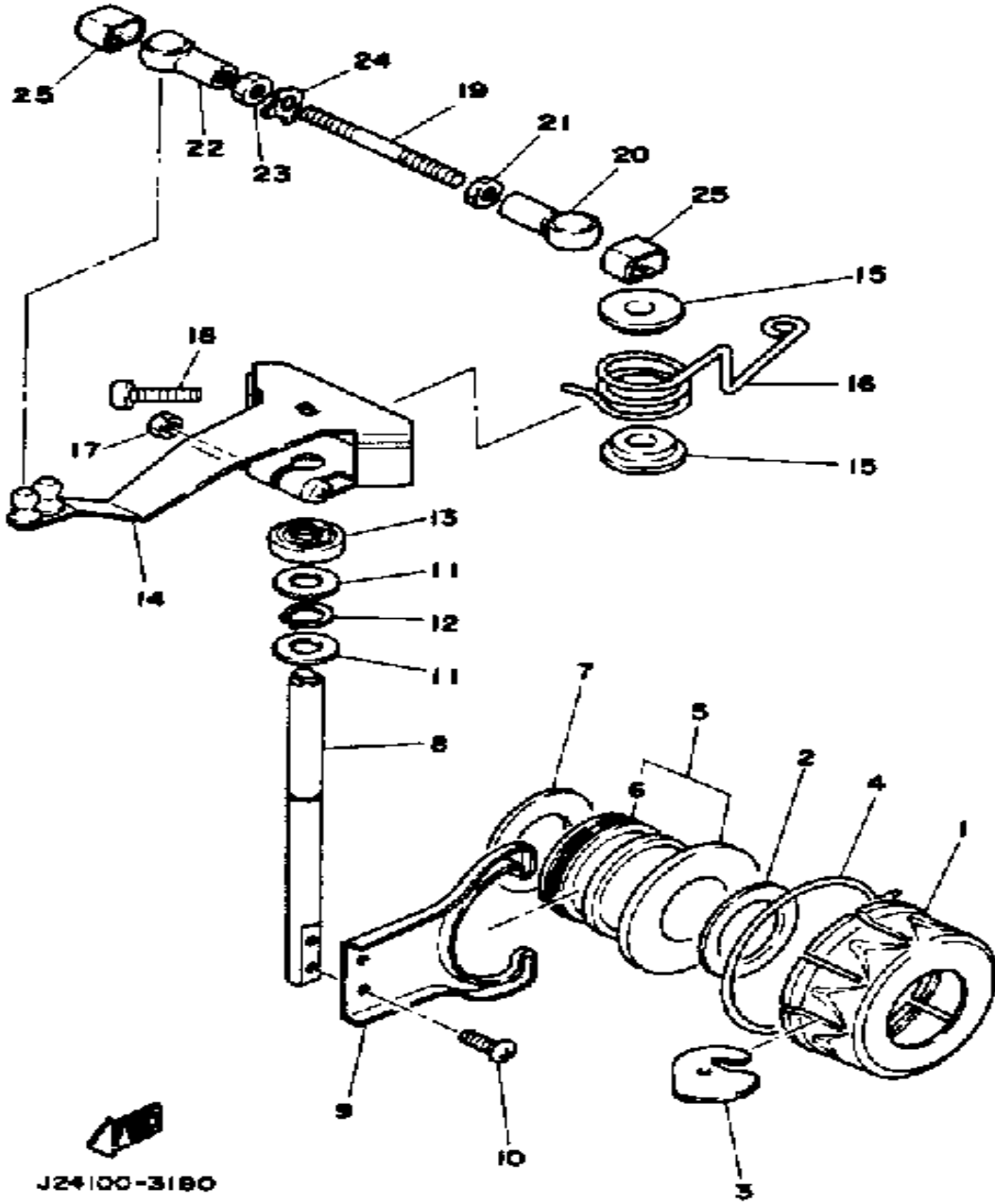
J31100-4170

ACCELERATOR



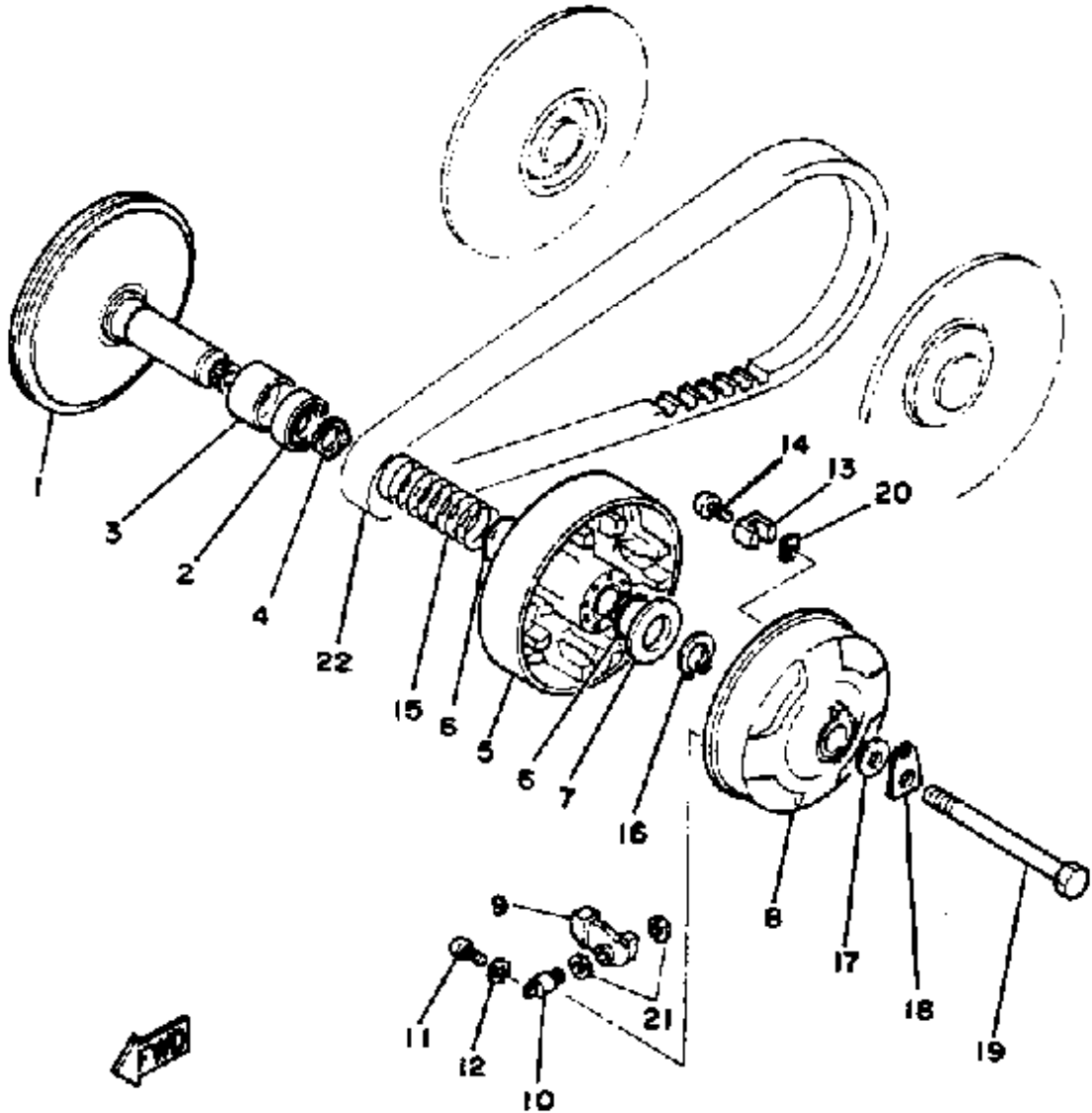
| Ref. No. | Part Number | Description | Qty | Remarks |
|----------|-----------------|--------------------------|-----|---------|
| 1 | J17-27874-00-00 | BRKT, ACCLTR PEDAL | 1 | |
| 2 | J17-27853-00-00 | SHAFT, PEDAL 1 | 1 | |
| 3 | J17-27872-00-00 | ARM, ACCLTR PEDAL | 1 | |
| 4 | 91609-60025-00 | PIN, SPRING | 1 | |
| 5 | JF3-27871-00-00 | PEDAL, ACCELERATOR | 1 | |
| 6 | 97011-06025-00 | BOLT (97001-06025) | 1 | |
| 7 | 92995-06100-00 | WASHER, SPRING | 1 | |
| 8 | 90106-08040-00 | BOLT, RD. HEX | 1 | |
| 9 | 95303-08700-00 | NUT | 1 | |
| 10 | 91609-35028-00 | PIN, SPRING | 1 | |
| 11 | 90384-14080-00 | BUSH, BIMETAL | 2 | |
| 12 | 93210-14104-00 | O-RING | 4 | |
| 13 | 97301-06014-00 | BOLT, HEXAGON | 4 | |
| 14 | 92995-06100-00 | WASHER, SPRING | 4 | |
| 15 | 90506-26282-00 | SPRING, TENSION | 1 | |
| 16 | J17-26311-00-00 | CABLE, THROTTLE 1 | 1 | |
| 17 | 25G-83936-01-00 | BAND, SWITCH CORD | 1 | |
| 18 | 91702-05012-00 | PIN | 1 | |
| 19 | 91490-16020-00 | PIN, COTTER | 1 | |
| 20 | 99080-07600-00 | CIRCLIP (E) | 1 | |
| 21 | 90508-16460-00 | SPRING, TORSION | 1 | |
| 22 | 90560-05001-00 | SPACER | 1 | |
| 23 | 97011-06025-00 | BOLT (97001-06025) | 1 | |
| 24 | 95380-06700-00 | NUT | 1 | |
| 25 | J10-27981-00-00 | BRACKET, THROTTLE | 1 | |

GOVERNOR



| Ref. No. | Part Number | Description | Qty | Remarks |
|----------|-----------------|-----------------------------|-----|---------|
| 1 | J10-27912-00-00 | RETAINER | 1 | |
| 2 | 90387-21690-00 | COLLAR | 1 | |
| 3 | J10-27913-00-00 | WEIGHT | 12 | |
| 4 | J10-27911-00-00 | HOLDER | 1 | |
| 5 | J10-27927-00-00 | LIFTER | 1 | |
| 6 | 93342-22502-00 | . BEARING, THRUST | 1 | |
| 7 | 90201-20275-00 | WASHER, PLATE | 1 | |
| 8 | J10-27921-01-00 | SHAFT, GOVERNOR | 1 | |
| 9 | J10-27922-00-00 | FORK, GOVERNOR | 1 | |
| 10 | 98580-04008-00 | SCREW, PAN HEAD | 2 | |
| 11 | 90202-08110-00 | WASHER, PLATE | 2 | |
| 12 | 99009-06600-00 | CIRCLIP | 1 | |
| 13 | 93109-08058-00 | OIL SEAL (SD07 8-21-5.5 HS) | 1 | |
| 14 | J10-27951-01-00 | LEVER, SPEED LMTR | 1 | |
| 15 | 90385-08034-00 | BUSH, SPEC'L RUBBER | 2 | |
| 16 | 90508-40398-00 | SPRING, TORSION | 1 | |
| 17 | 95380-06600-00 | NUT | 1 | |
| 18 | J10-27959-00-00 | SCREW, ADJUSTING | 1 | |
| 19 | J10-14836-00-00 | ROD | 1 | |
| 20 | J10-14833-01-00 | JOINT | 1 | |
| 21 | 95311-05700-00 | NUT | 1 | |
| 22 | J10-14864-01-00 | JOINT | 1 | |
| 23 | 90170-05190-00 | NUT, HEXAGON | 1 | |
| 24 | J24-14842-00-00 | PLATE, CON ROD | 1 | |
| 25 | 90468-05112-00 | CLIP | 2 | |

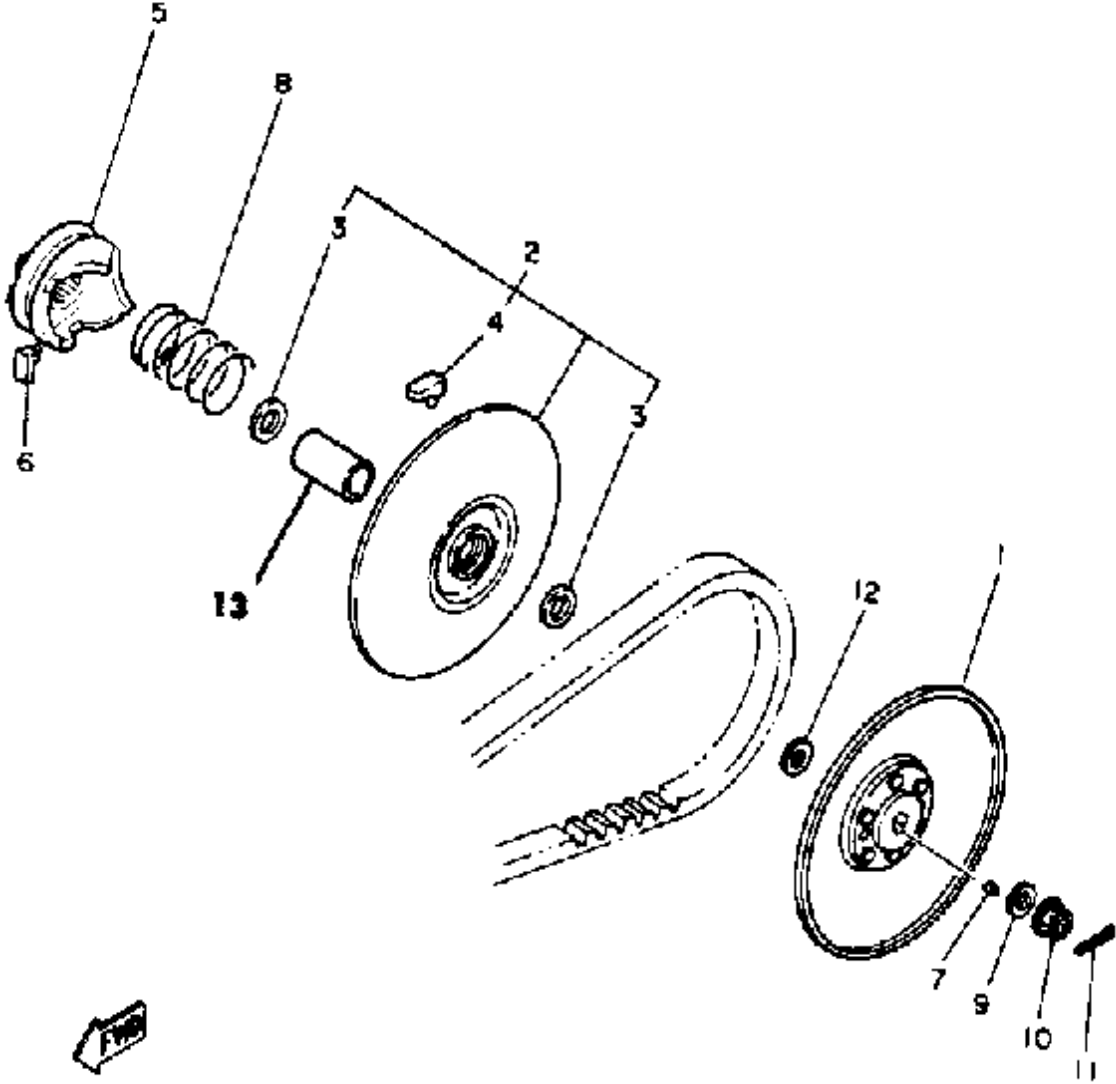
PRIMARY SHEAVE



J24100-3200

| Ref. No. | Part Number | Description | Qty | Remarks |
|----------|-----------------|-------------------------------------|-----|---------|
| 1 | J10-46210-00-00 | PRI FIXED SHEAVESHEAVE COMP | 1 | |
| 2 | 93306-90601-00 | BEARING | 1 | |
| 3 | 90387-47686-00 | COLLAR | 1 | |
| 4 | J10-46244-00-00 | SEAT, SPRING | 1 | |
| 5 | J10-46220-01-00 | PRI SLDG SHV CMLPTSHEAVE COMP | 1 | |
| 6 | 93210-27458-00 | O-RING | 2 | |
| 7 | J10-46223-01-00 | CAM | 1 | |
| 8 | J17-46230-00-00 | PRI SHEAVE CAPCAP COMP . | 1 | |
| 9 | J10-46232-00-00 | WEIGHT 1 | 4 | |
| 10 | J10-46236-00-00 | PIN, WEIGHT | 4 | |
| 11 | 98580-05020-00 | SCREW, PAN HEAD | 8 | |
| 12 | 92990-05100-00 | WASHER, SPRING | 8 | |
| 13 | J10-46253-01-00 | SLIDER | 4 | |
| 14 | 90149-05129-00 | SCREW, SPEC'L SHAPE | 4 | |
| 15 | 90501-32557-00 | SPRING, COMPRESSION | 1 | |
| 16 | 99009-28400-00 | CIRCLIP | 1 | |
| 17 | 90560-12180-00 | SPACER | 1 | |
| 18 | 90215-13146-00 | WASHER, LOCK | 1 | |
| 19 | J10-46249-00-00 | BOLT | 1 | |
| 20 | J17-46254-00-00 | DAMPER SPACER | 4 | |
| 21 | 90202-10129-00 | WASHER, PLATE | 8 | |
| 22 | J17-46241-00-00 | BELT | 1 | |

SECONDARY SHEAVE

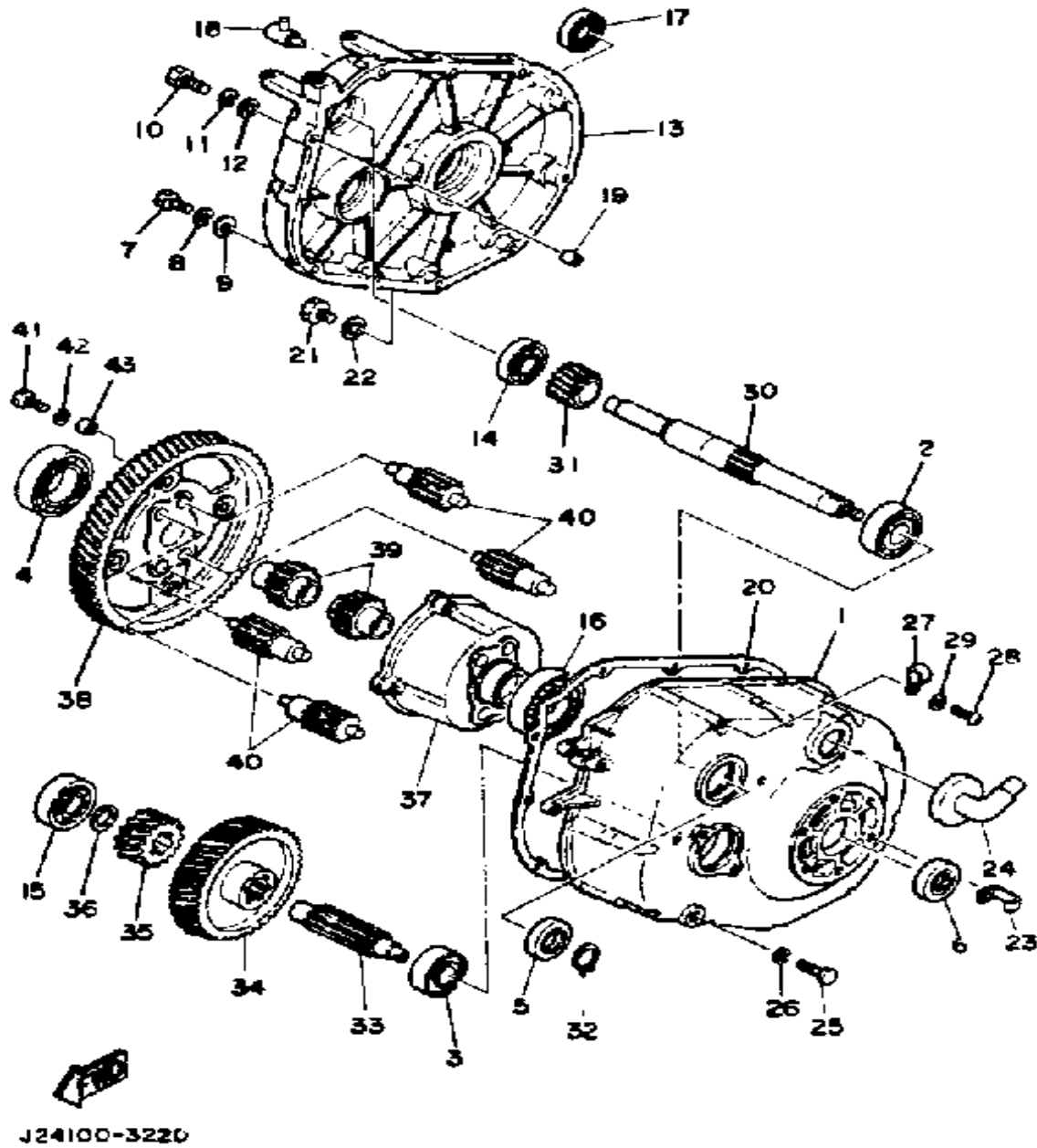


| Ref. No. | Part Number | Description | Qty | Remarks |
|----------|-----------------|---|-----|---------|
| 1 | J55-G6260-00-00 | SECONDARY FIXED SHEAVE COMP. | 1 | |
| 2 | J17-46270-02-00 | SEC.SLIDING SHEAVESHEAVE COMP. (J17-46270-00) | 1 | |
| 3 | 93102-20309-00 | . SEAL, OIL | 2 | |
| 4 | 801-17688-10-00 | . SHOE, RAMP | 3 | |
| 5 | J11-46284-00-00 | SEAT, SEC SPRING | 1 | |
| 6 | 801-17688-10-00 | SHOE, RAMP | 3 | |
| 7 | 90280-05022-00 | KEY, WOODRUFF | 2 | |
| 8 | 90501-45600-00 | SPRING, COMPRESSION | 1 | |
| 9 | 90201-12588-00 | WASHER, PLATE | 1 | |
| 10 | 90171-12023-00 | NUT, CASTLE | 1 | |
| 11 | 91401-30030-00 | PIN, COTTER | 1 | |
| 12 | 90202-20130-00 | WASHER, PLAIN | 1 | |
| 13 | 90384-20143-00 | BUSH, BIMETAL FORM FORMED | 1 | |



J81100-421D

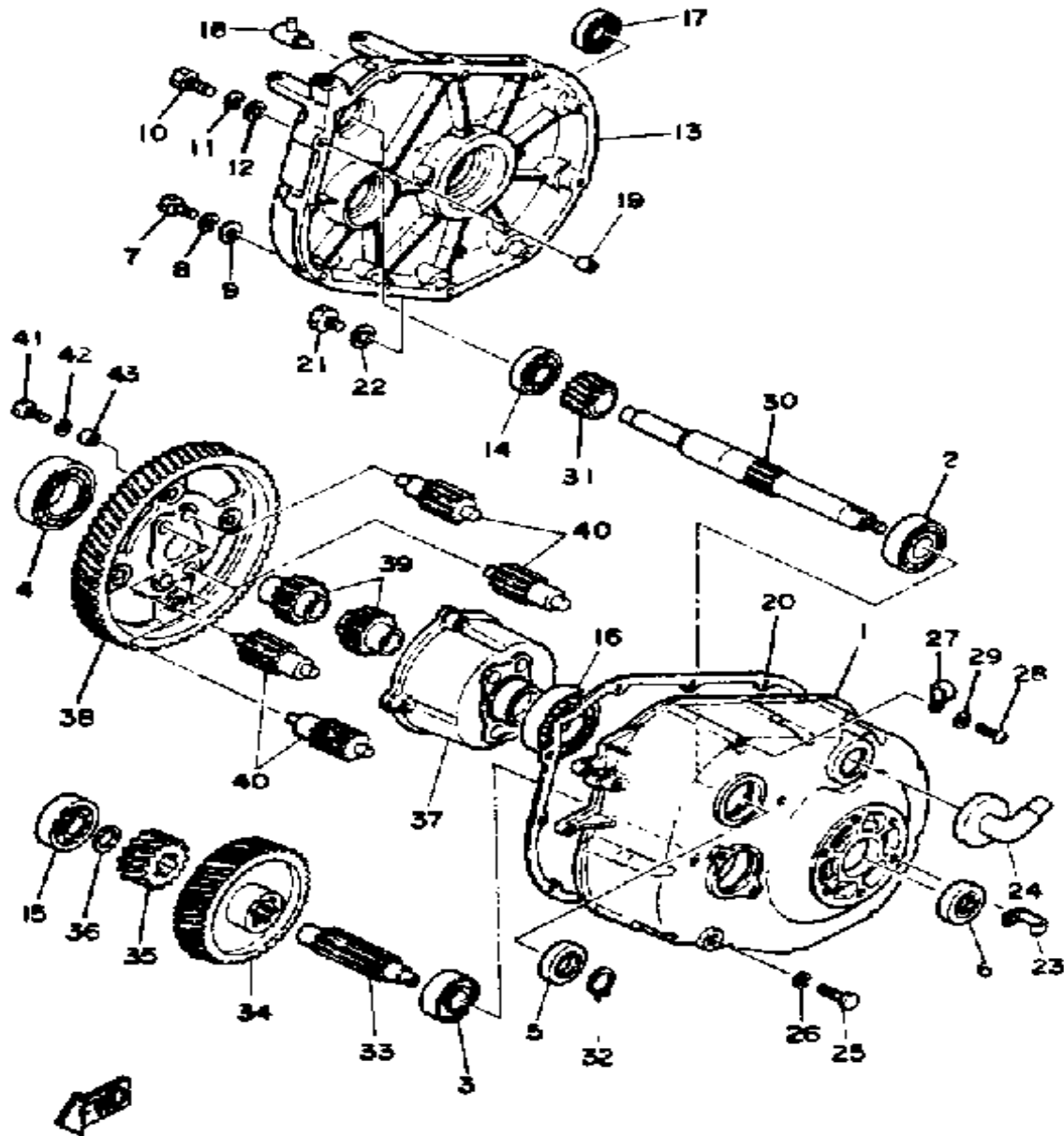
TRANSMISSION



| Ref. No. | Part Number | Description | Qty | Remarks |
|----------|-----------------|-------------------------------------|-----|---------|
| 1 | J11-46311-00-00 | CASE, TRANS 1 | 1 | |
| 2 | 93306-20529-00 | BEARING (B6205C4) | 1 | |
| 3 | 93306-20421-00 | BEARING | 1 | |
| 4 | 93306-00803-00 | BEARING (B6008) | 1 | |
| 5 | 93102-25017-00 | OIL SEAL | 1 | |
| 6 | 93102-22189-00 | OIL SEAL | 1 | |
| 7 | 97313-08035-00 | BOLT, HEXAGON | 9 | |
| 8 | 92990-08100-00 | WASHER | 9 | |
| 9 | 92901-08600-00 | WASHER | 9 | |
| 10 | 97313-08045-00 | BOLT | 2 | |
| 11 | 92990-08100-00 | WASHER | 2 | |
| 12 | 92901-08600-00 | WASHER | 2 | |
| 13 | J10-46312-00-00 | CASE, TRANS 2 | 1 | |
| 14 | 93306-20324-00 | BEARING | 1 | |
| 15 | 93306-20421-00 | BEARING | 1 | |
| 16 | 93306-00803-00 | BEARING (B6008) | 1 | |
| 17 | 93102-22189-00 | OIL SEAL | 1 | |
| 18 | 8E4-24461-00-00 | PIPE, JOINT | 1 | |
| 19 | 99510-12016-00 | PIN, DOWEL | 2 | |
| 20 | J10-46319-01-00 | GASKET | 1 | |
| 21 | 90340-14036-00 | PLUG, STRAIGHT SCRW | 2 | |
| 22 | 90430-14043-00 | GASKET | 2 | |
| 23 | 90465-06100-00 | CLAMP | 1 | |
| 24 | 835-47559-00-00 | CAP 2 | 1 | |
| 25 | 97011-10020-00 | BOLT | 2 | |
| 26 | 92990-10100-00 | WASHER, SPRING | 2 | |
| 27 | 90465-08028-00 | CLAMP | 1 | |
| 28 | 98580-06010-00 | SCREW, PAN HEAD (92503-06010) | 1 | |

CONTINUED ON NEXT FRAME ►

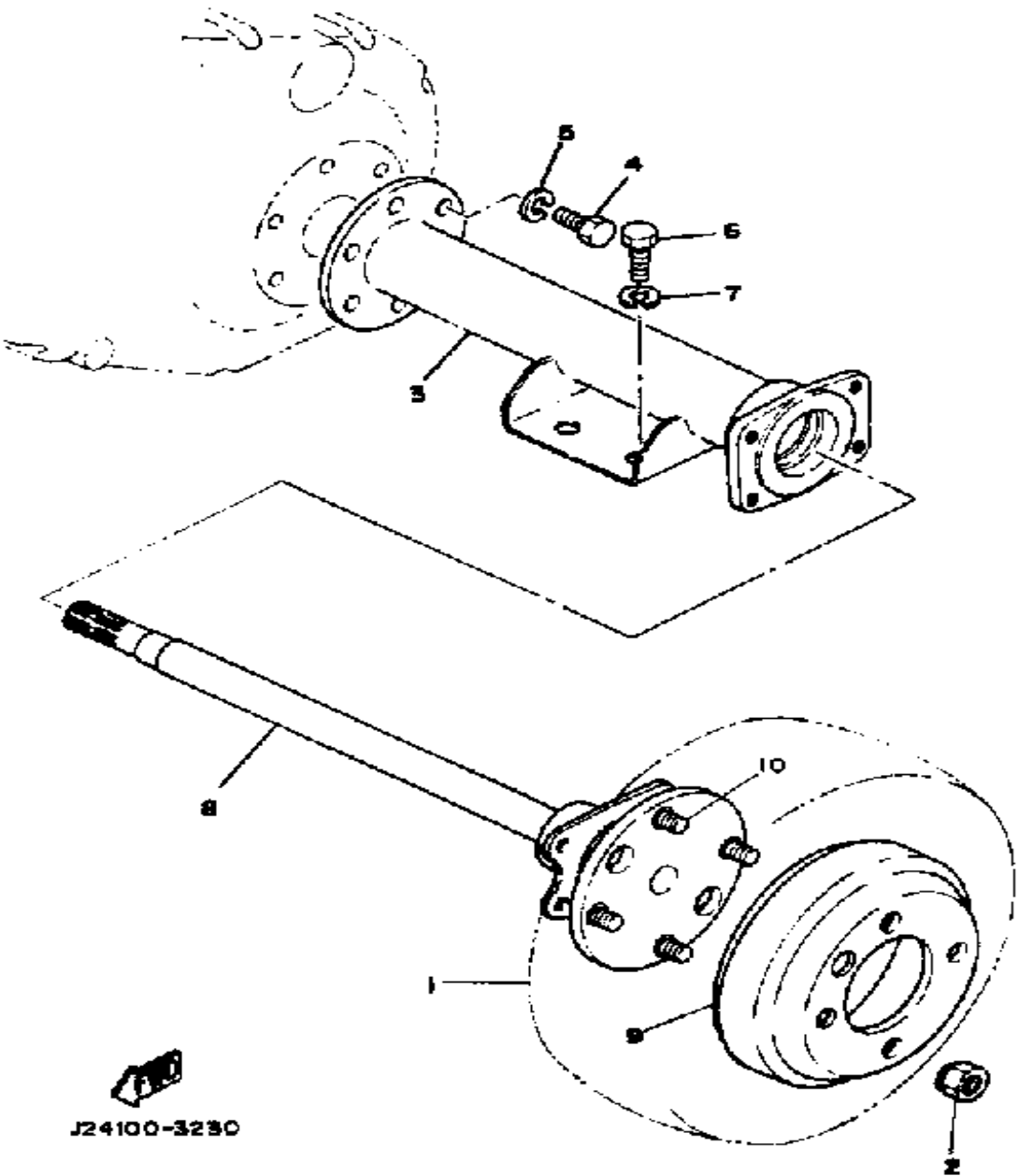
TRANSMISSION



J24100-3220

| Ref. No. | Part Number | Description | Qty | Remarks |
|----------|-----------------|--------------------|-----|---------|
| 29 | 92995-06100-00 | WASHER, SPRING | 1 | |
| 30 | J10-46321-00-00 | SHAFT, INPUT | 1 | |
| 31 | J10-46331-02-00 | GEAR, IMPUT 1 | 1 | |
| 32 | 93410-25017-00 | CIRCLIP | 1 | |
| 33 | J10-46351-00-00 | SHAFT, COUNTER | 1 | |
| 34 | J10-46361-02-00 | GEAR, COUNTER 1 | 1 | |
| 35 | J17-46362-00-00 | GEAR, COUNTER 2 | 1 | |
| 36 | 90201-20272-00 | WASHER, PLATE | 1 | |
| 37 | J10-W4641-00-00 | CASE, DIFFERENTIAL | 1 | |
| 38 | J17-W4642-00-00 | GEAR, RING | 1 | |
| 39 | J10-46414-00-00 | GEAR, DIFF SIDE | 2 | |
| 40 | J10-46415-00-00 | PINION, DIFF | 4 | |
| 41 | 97313-08030-00 | BOLT, HEXAGON | 4 | |
| 42 | 92990-08100-00 | WASHER | 4 | |
| 43 | 99510-10114-00 | PIN, DOWEL | 2 | |

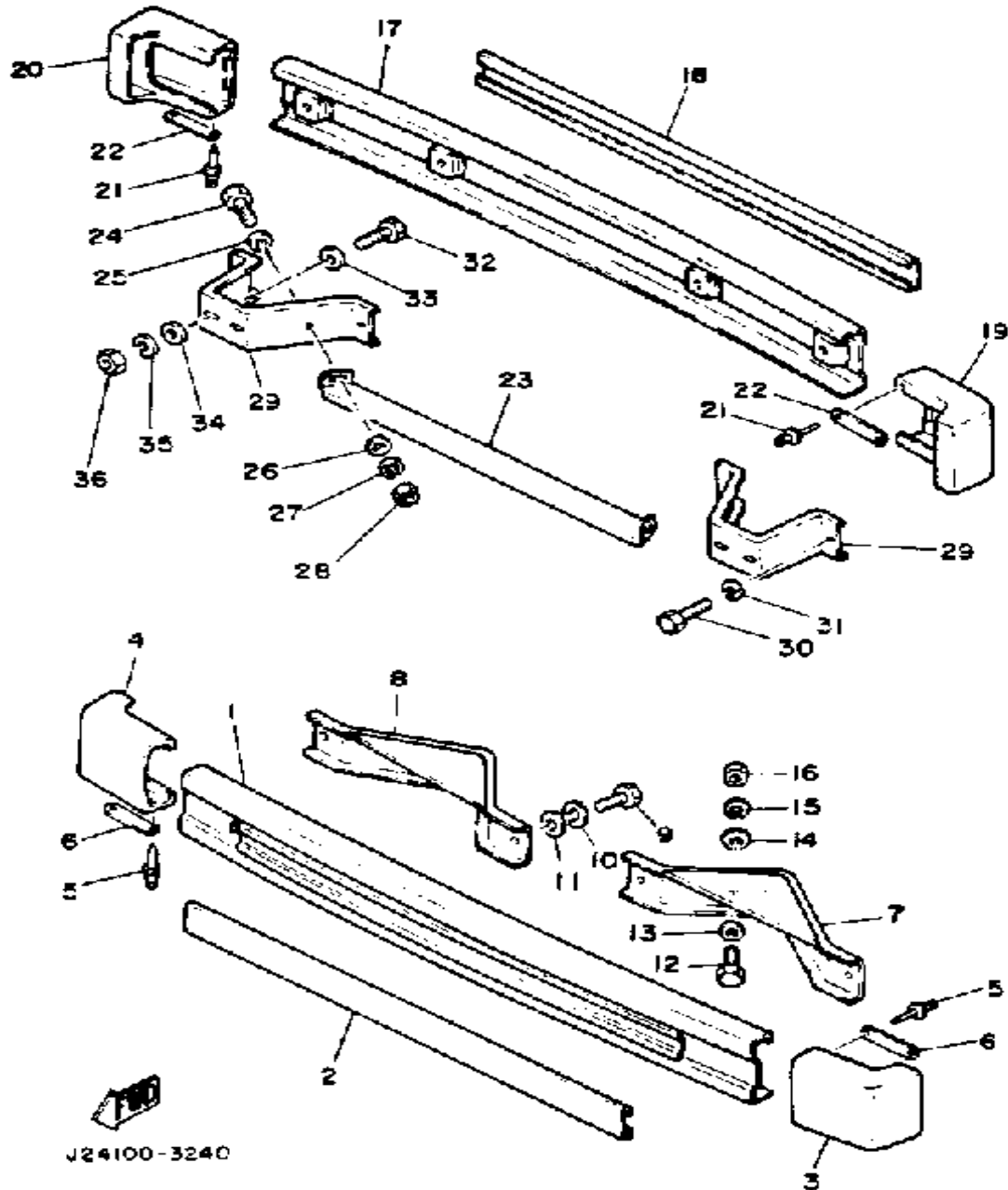
REAR AXLE-WHEEL



| Ref. No. | Part Number | Description | Qty | Remarks |
|----------|-----------------|----------------------|-----|---------------|
| 1 | *--- | FRONT WHEEL ASSEMBLY | 2 | LM (SEE NOTE) |
| 2 | 90179-12262-00 | NUT | 8 | |
| 3 | J10-46540-00-00 | R.AXLE HOUSING 1COMP | 2 | |
| 4 | 97013-08025-00 | BOLT | 12 | |
| 5 | 92990-08100-00 | WASHER | 12 | |
| 6 | 97011-10020-00 | BOLT | 8 | |
| 7 | 92990-10100-00 | WASHER, SPRING | 8 | |
| 8 | J17-46510-01-00 | REAR AXLE SHAFT 1 | 2 | |
| 9 | J55-G6521-00-00 | DRUM | 2 | |
| 10 | 90114-12004-00 | BOLT, RIBBED NECK | 8 | |

J24100-3230

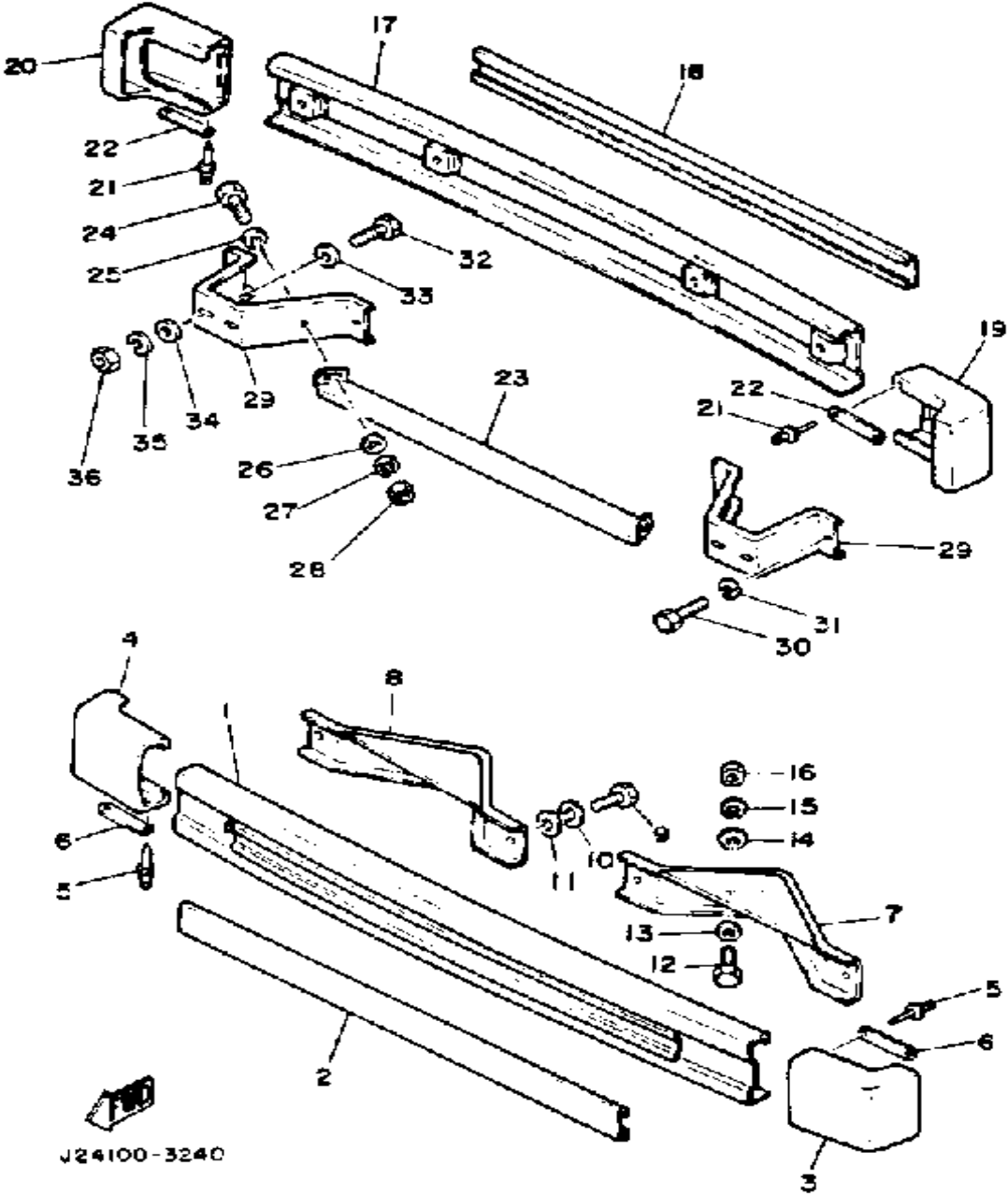
BUMPER



| Ref. No. | Part Number | Description | Qty | Remarks |
|----------|-----------------|--------------------------------------|-----|---------|
| 1 | J17-78106-00-00 | BUMPER SB/ASSEMBLY, FRT | 1 | |
| 2 | J17-78162-00-00 | PAD, FRONT BUMPER | 1 | |
| 3 | J10-78168-01-00 | BUMPER, RUBBER 2 | 1 | |
| 4 | J10-78167-01-00 | BUMPER, RUBBER 1 | 1 | |
| 5 | 90267-40077-00 | RIVET, BLIND | 8 | |
| 6 | J17-77525-00-00 | WASHER 1 | 4 | |
| 7 | J42-78164-00-00 | STAY, FRT BUMPER 1 (J17-78165-00) | 1 | |
| 8 | J42-78165-00-00 | STAY, FRT BUMPER 2 (J17-78165-00) | 1 | |
| 9 | 97313-08016-00 | BOLT, HEXAGON | 4 | |
| 10 | 92990-08100-00 | WASHER | 4 | |
| 11 | 92901-08600-00 | WASHER | 4 | |
| 12 | 97013-08025-00 | BOLT | 4 | |
| 13 | 92901-08600-00 | WASHER | 4 | |
| 14 | 90201-085E6-00 | WASHER PLATE | 4 | |
| 15 | 92990-08100-00 | WASHER | 4 | |
| 16 | 95333-08600-00 | NUT | 4 | |
| 17 | J17-78107-00-00 | BUMPER SB/ASSEMBLY, RR | 1 | |
| 18 | J17-78162-00-00 | PAD, FRONT BUMPER | 1 | |
| 19 | J10-78167-01-00 | BUMPER, RUBBER 1 | 1 | |
| 20 | J10-78168-01-00 | BUMPER, RUBBER 2 | 1 | |
| 21 | 90267-40077-00 | RIVET, BLIND | 8 | |
| 22 | J17-77525-00-00 | WASHER 1 | 4 | |
| 23 | J10-78179-00-00 | PLATE, EXTENSION | 1 | |
| 24 | 97011-08016-00 | BOLT | 2 | |
| 25 | 92901-08600-00 | WASHER | 2 | |
| 26 | 92990-08200-00 | WASHER, PLAIN | 2 | |
| 27 | 92990-08100-00 | WASHER | 2 | |

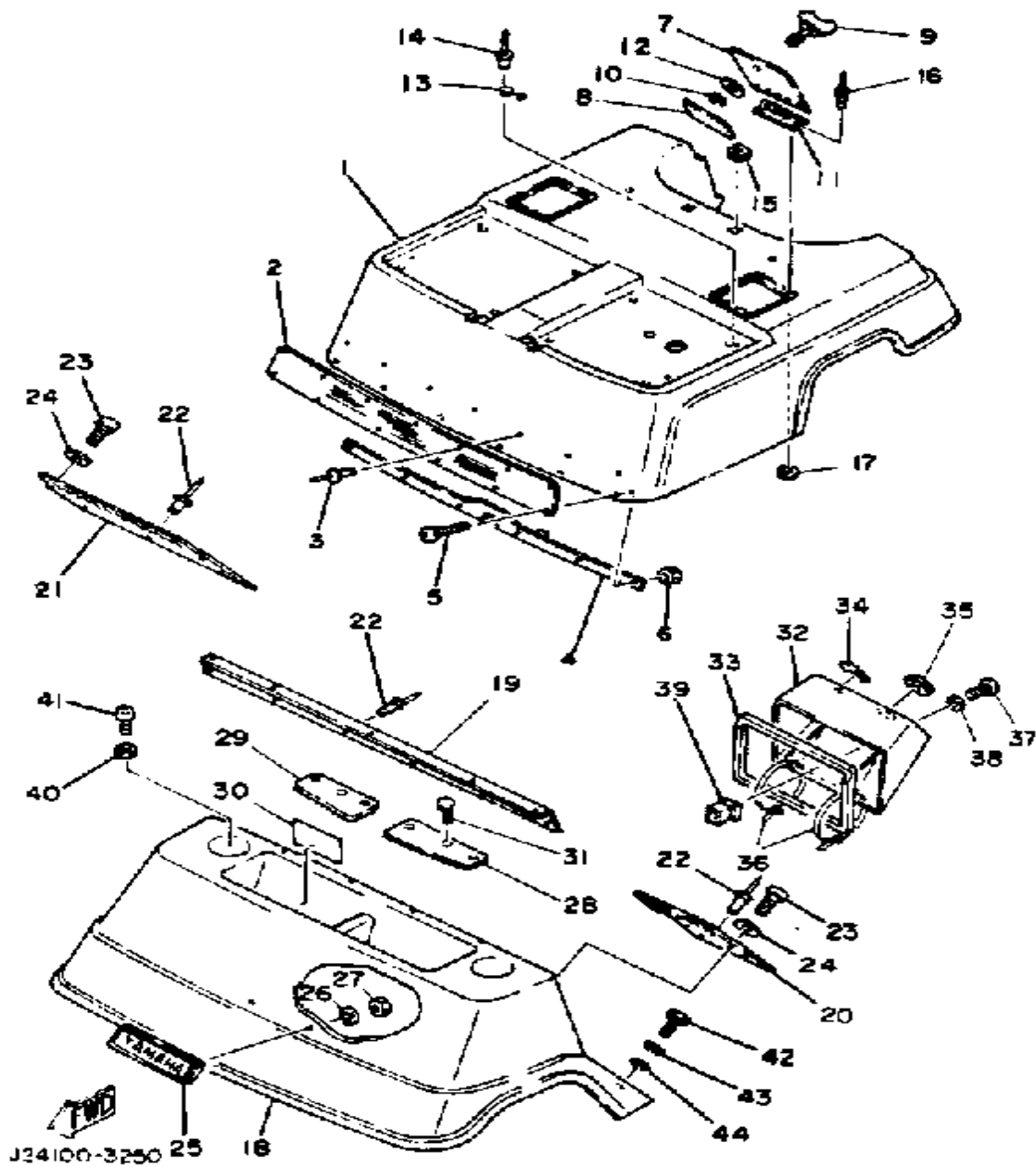
CONTINUED ON NEXT FRAME ►

BUMPER



| Ref. No. | Part Number | Description | Qty | Remarks |
|----------|-----------------|----------------------------------|-----|---------|
| 28 | 95303-08800-00 | NUT (CROWN) (95301-08800) | 2 | |
| 29 | J42-78174-00-00 | STAY, REAR BUMPER (J10-78174-01) | 2 | |
| 30 | 97313-08016-00 | BOLT, HEXAGON | 4 | |
| 31 | 92990-08100-00 | WASHER | 4 | |
| 32 | 97313-08020-00 | BOLT, HEXAGON | 4 | |
| 33 | 92901-08600-00 | WASHER | 4 | |
| 34 | 92990-08200-00 | WASHER, PLAIN | 4 | |
| 35 | 92990-08100-00 | WASHER | 4 | |
| 36 | 95333-08600-00 | NUT | 4 | |

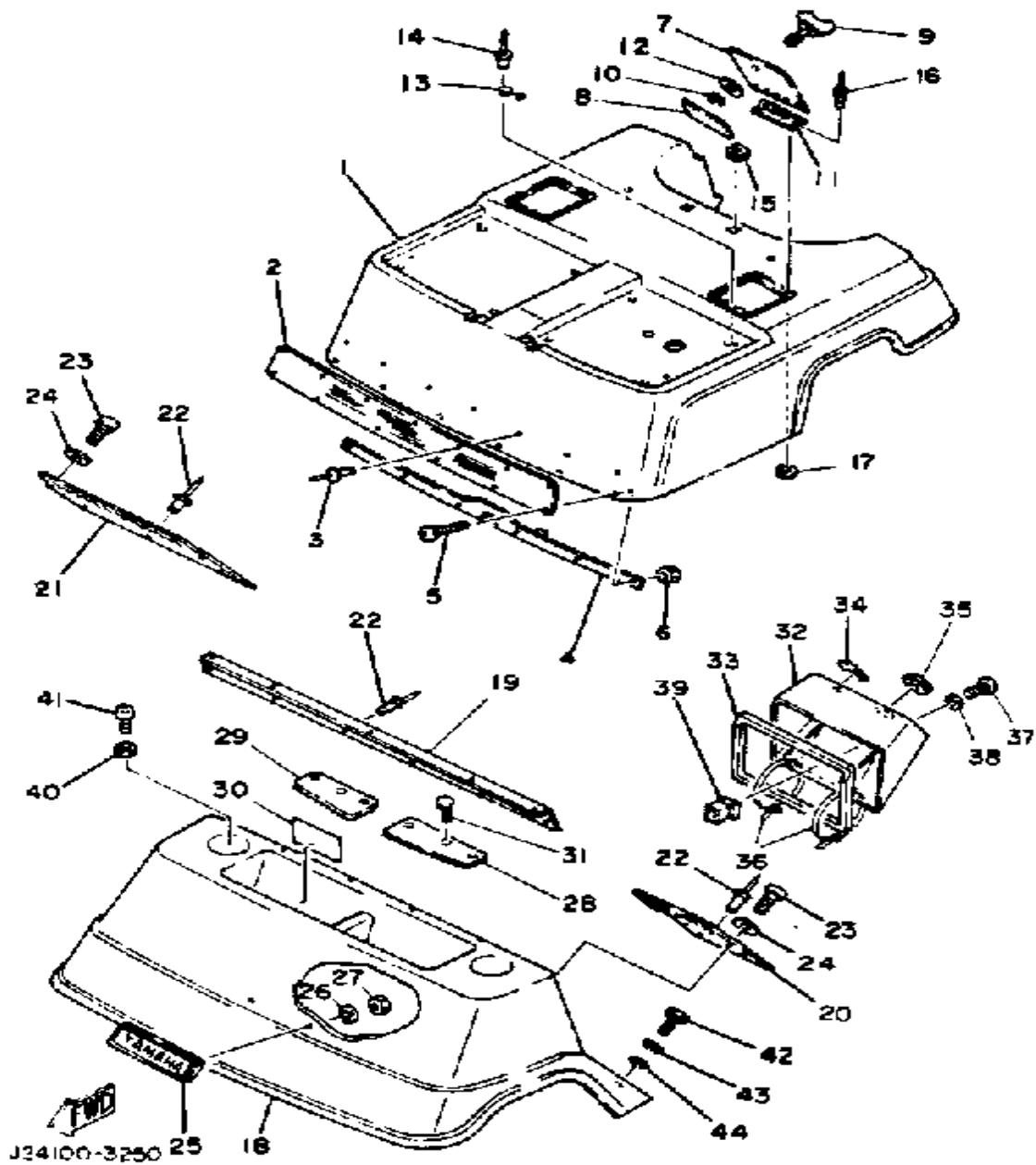
BODY



| Ref. No. | Part Number | Description | Qty | Remarks |
|----------|-----------------|-------------------|-----|---------|
| 1 | J31-W7811-10-00 | PANEL, BODY SHELL | 1 | |
| 2 | J10-78119-00-00 | PLATE 3 | 1 | |
| 3 | 90267-40075-00 | RIVET, BLIND | 7 | |
| 4 | J17-78121-00-00 | REINFORCEMENT 1 | 1 | |
| 5 | 98980-06016-00 | SCREW, BINDING | 6 | |
| 6 | 95601-06200-00 | NUT, U FLANGE | 6 | |
| 7 | J17-78272-00-00 | COVER, FUEL INLET | 1 | |
| 8 | J24-77764-00-00 | LABEL, WARNING 4 | 1 | |
| 9 | J10-78238-01-00 | FASTENER, UPPER | 1 | |
| 10 | 99009-06600-00 | CIRCLIP | 1 | |
| 11 | J17-78275-00-00 | HINGE.FUEL INLET | 1 | |
| 12 | 90201-08100-00 | WASHER, PLATE | 1 | |
| 13 | J10-78239-00-00 | FASTENER, LOWER | 1 | |
| 14 | 90267-32019-00 | RIVET, BLIND | 2 | |
| 15 | 90480-35242-00 | GROMMET | 2 | |
| 16 | 90267-40075-00 | RIVET, BLIND | 2 | |
| 17 | 90201-044H9-00 | WASHER, PLAIN | 2 | |
| 18 | J17-78115-90-00 | COWL, FRONT | 1 | |
| 19 | J17-77165-00-00 | TRIM 1 | 1 | |
| 20 | J17-78232-00-00 | MAT, MAIN FLOOR 2 | 1 | |
| 21 | J17-78233-00-00 | MAT, MAIN FLOOR 3 | 1 | |
| 22 | 90267-63047-00 | RIVET, BLIND | 24 | |
| 23 | 90157-08028-00 | SCREW, PAN HEAD | 2 | |
| 24 | 90202-08134-00 | WASHER, plate | 2 | |
| 25 | J10-78291-00-00 | EMBLEM 1 | 1 | |
| 26 | 92990-05200-00 | WASHER, PLAIN | 2 | |
| 27 | 95701-05300-00 | NUT, NYLON | 2 | |
| 28 | J17-77151-00-00 | PAD 1 | 1 | |
| 29 | J17-77152-00-00 | PAD 2 | 1 | |

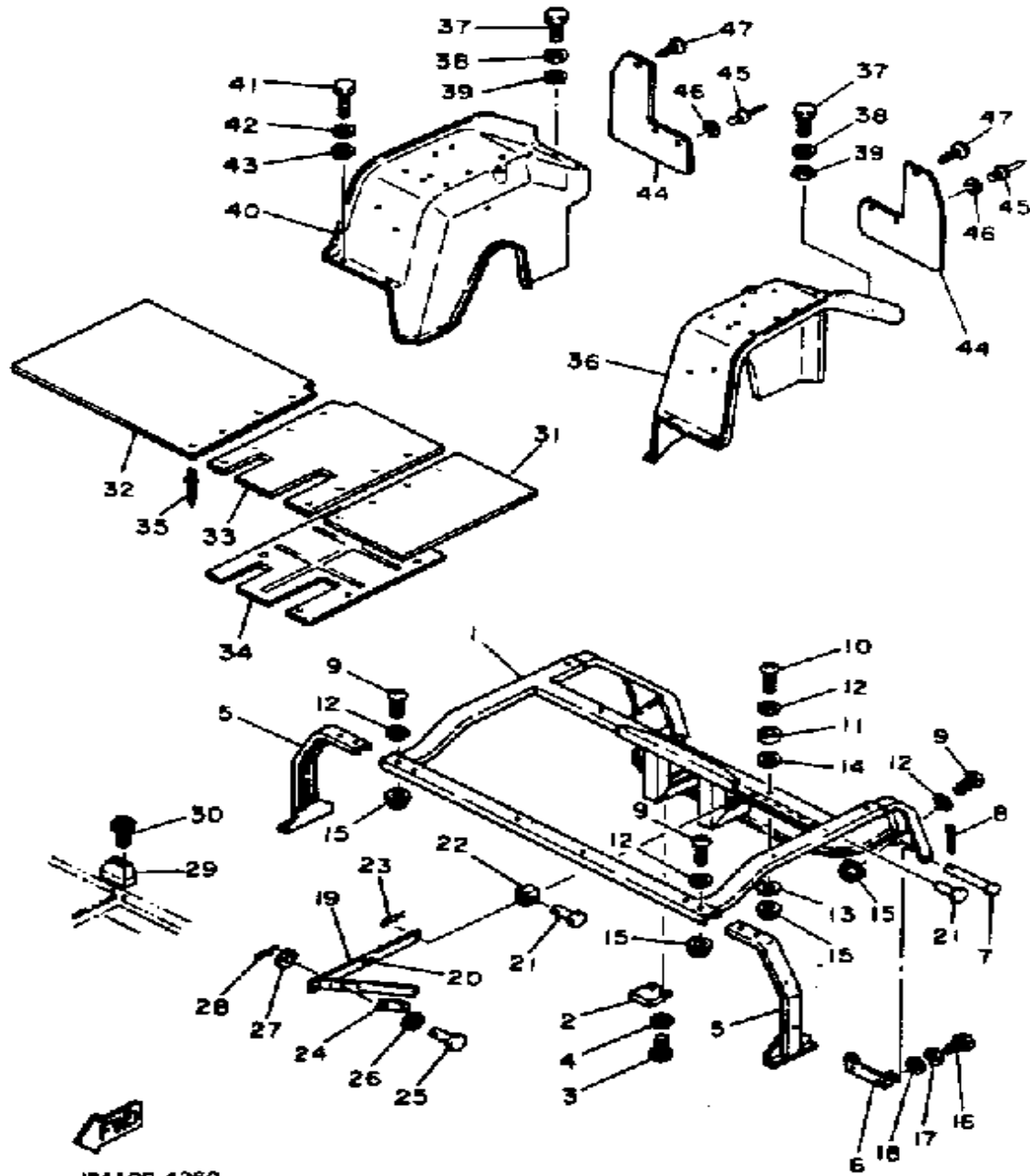
CONTINUED ON NEXT FRAME ►

BODY



| Ref. No. | Part Number | Description | Qty | Remarks |
|----------|-----------------|------------------------------|-----|---------|
| 30 | J10-77768-00-00 | LABEL, WARNING | 1 | |
| 31 | 90269-06028-00 | RIVET | 2 | |
| 32 | J10-77711-00-00 | PANEL, INSTRUMENT | 1 | |
| 33 | J10-78245-00-00 | SEAL 1 | 1 | |
| 34 | J10-77741-00-00 | INDICATOR 1 | 1 | |
| 35 | 90480-48243-00 | GROMMET | 1 | |
| 36 | 80L-26397-00-00 | BAND | 2 | |
| 37 | 97780-50130-00 | SCREW, TAPPING | 2 | |
| 38 | 90201-05036-00 | WASHER, PLATE | 2 | |
| 39 | 90480-07241-00 | GROMMET | 2 | |
| 40 | 90201-08310-00 | WASHER, PLATE | 2 | |
| 41 | 98980-08025-00 | SCREW, BIND (98902-08025) .. | 2 | |
| 42 | 97023-06020-00 | BOLT (3XF) | 3 | |
| 43 | 92995-06100-00 | WASHER, SPRING | 3 | |
| 44 | 90201-06075-00 | WASHER, PLATE | 3 | |

BODY FITTING

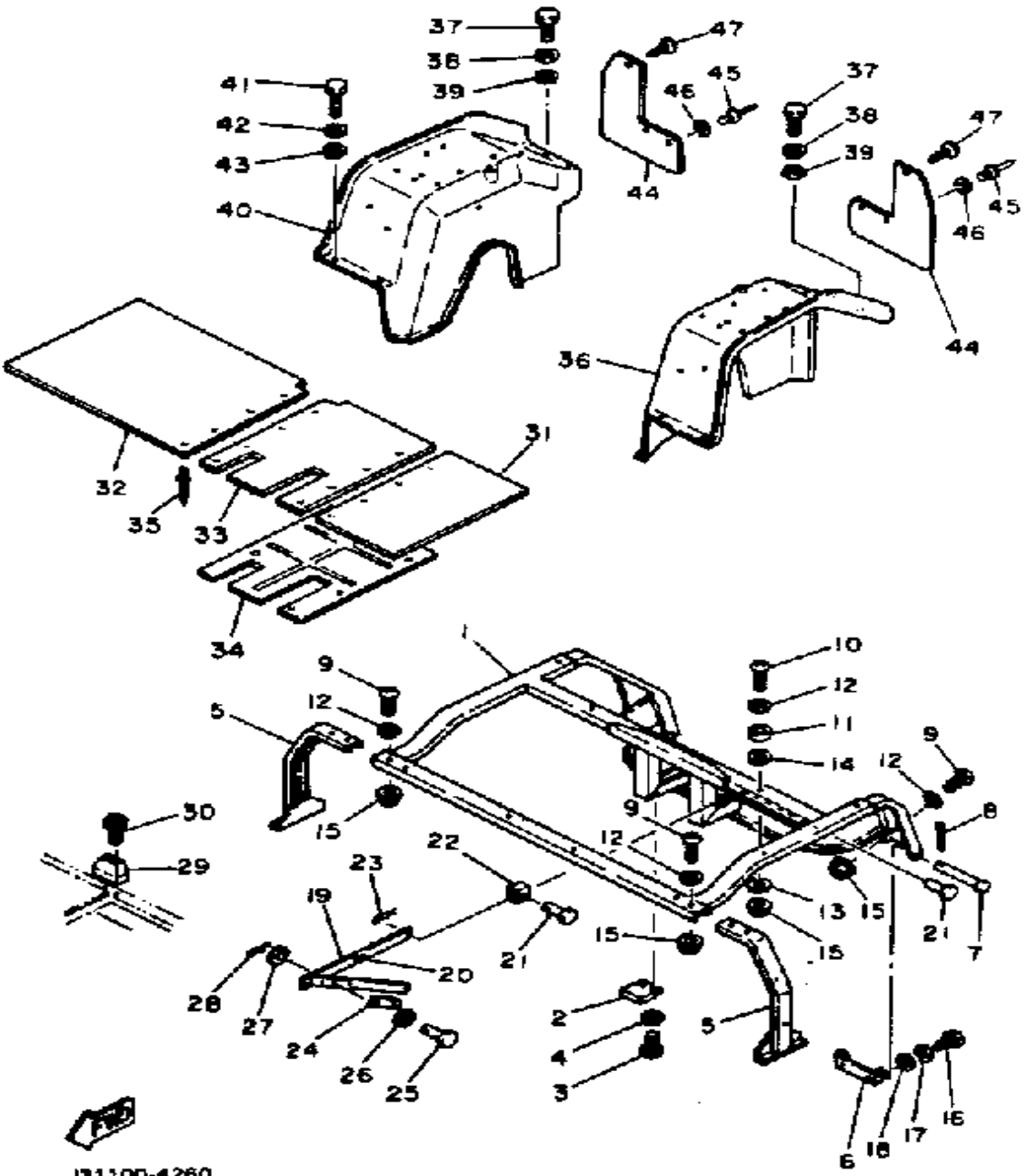


J31100-4260

| Ref. No. | Part Number | Description | Qty | Remarks |
|----------|-----------------|--------------------|-----|---------|
| 1 | J31-77145-00-00 | HINGE 1 | 1 | |
| 2 | J17-78221-00-00 | SHEET, BODY MNTG 1 | 2 | |
| 3 | 98501-05018-00 | SCREW, PAN HEAD | 4 | |
| 4 | 92901-05600-00 | WASHER, PLATE | 4 | |
| 5 | J31-78123-00-00 | REINFORCEMENT 3 | 2 | |
| 6 | J10-77146-00-00 | HINGE 2 | 2 | |
| 7 | 91701-08118-00 | PIN, CLEVIS | 2 | |
| 8 | 91401-25020-00 | PIN, COTTER | 2 | |
| 9 | 98980-06020-00 | SCREW, BIND | 8 | |
| 10 | 98980-06025-00 | SCREW, BIND | 2 | |
| 11 | 90202-08085-00 | WASHER, PLATE | 2 | |
| 12 | 90201-06697-00 | WASHER, PLATE | 8 | |
| 13 | 90201-06697-00 | WASHER, PLATE | 2 | |
| 14 | 90201-08730-00 | WASHER, PLATE | 2 | |
| 15 | 95601-06200-00 | NUT, U FLANGE | 10 | |
| 16 | 97313-08020-00 | BOLT, HEXAGON | 4 | |
| 17 | 92990-08100-00 | WASHER | 4 | |
| 18 | 92901-08600-00 | WASHER | 4 | |
| 19 | J10-77125-00-00 | STAY 1 | 1 | |
| 20 | J10-77766-00-00 | LABEL, WARNING 6 | 1 | |
| 21 | 91701-08020-00 | PIN, CLEVIS | 2 | |
| 22 | J17-7712F-00-00 | STAY 1 | 2 | |
| 23 | 90468-16065-00 | CLIP | 2 | |
| 24 | J10-77188-00-00 | STOPPER | 1 | |
| 25 | 91701-06012-00 | PIN, CLEVIS | 1 | |
| 26 | 90206-06090-00 | WASHER, WAVE | 1 | |
| 27 | 92990-06200-00 | WASHER | 2 | |
| 28 | 90468-10050-00 | CLIP | 1 | |
| 29 | J17-78156-00-00 | STOPPER, LOCK | 1 | |

CONTINUED ON NEXT FRAME ►

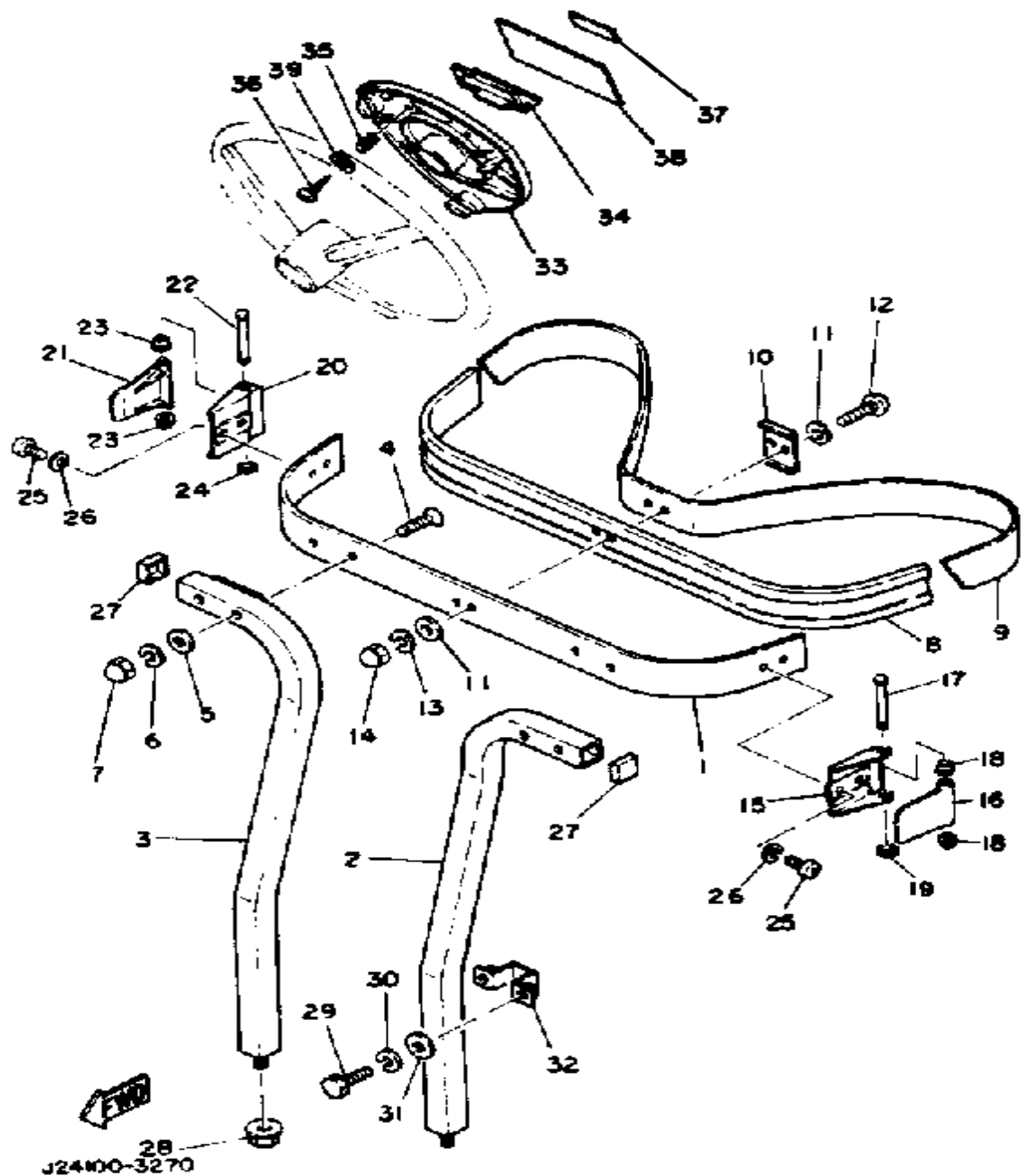
BODY FITTING



J31100-4260

| Ref. No. | Part Number | Description | Qty | Remarks |
|----------|-----------------|--------------------|-----|---------|
| 30 | 91316-06035-00 | BOLT | 2 | |
| 31 | J31-78231-00-00 | MAT, MAIN FLOOR 1 | 1 | |
| 32 | J31-78234-00-00 | MAT, MAIN FLOOR 4 | 1 | |
| 33 | J31-78235-00-00 | SHEET, MAIN FLOOR | 1 | |
| 34 | J31-78271-00-00 | SERVICE LID, PEDAL | 1 | |
| 35 | 90267-48086-00 | RIVET, BLIND | 16 | |
| 36 | J24-78191-00-00 | PANEL, RR FENDER 1 | 1 | |
| 37 | 97023-06020-00 | BOLT (3XF) | 4 | |
| 38 | 92995-06100-00 | WASHER, SPRING | 4 | |
| 39 | 90201-062A8-00 | WASHER, PLATE | 4 | |
| 40 | J24-78192-00-00 | PANEL, RR FENDER 2 | 1 | |
| 41 | 97023-06020-00 | BOLT (3XF) | 4 | |
| 42 | 92995-06100-00 | WASHER, SPRING | 4 | |
| 43 | 90201-062A8-00 | WASHER, PLATE | 4 | |
| 44 | J24-78199-00-00 | FLAP, REAR 2 | 2 | |
| 45 | 90267-40075-00 | RIVET, BLIND | 4 | |
| 46 | 90201-05034-00 | WASHER, PLATE | 4 | |
| 47 | 90269-06028-00 | RIVET | 2 | |

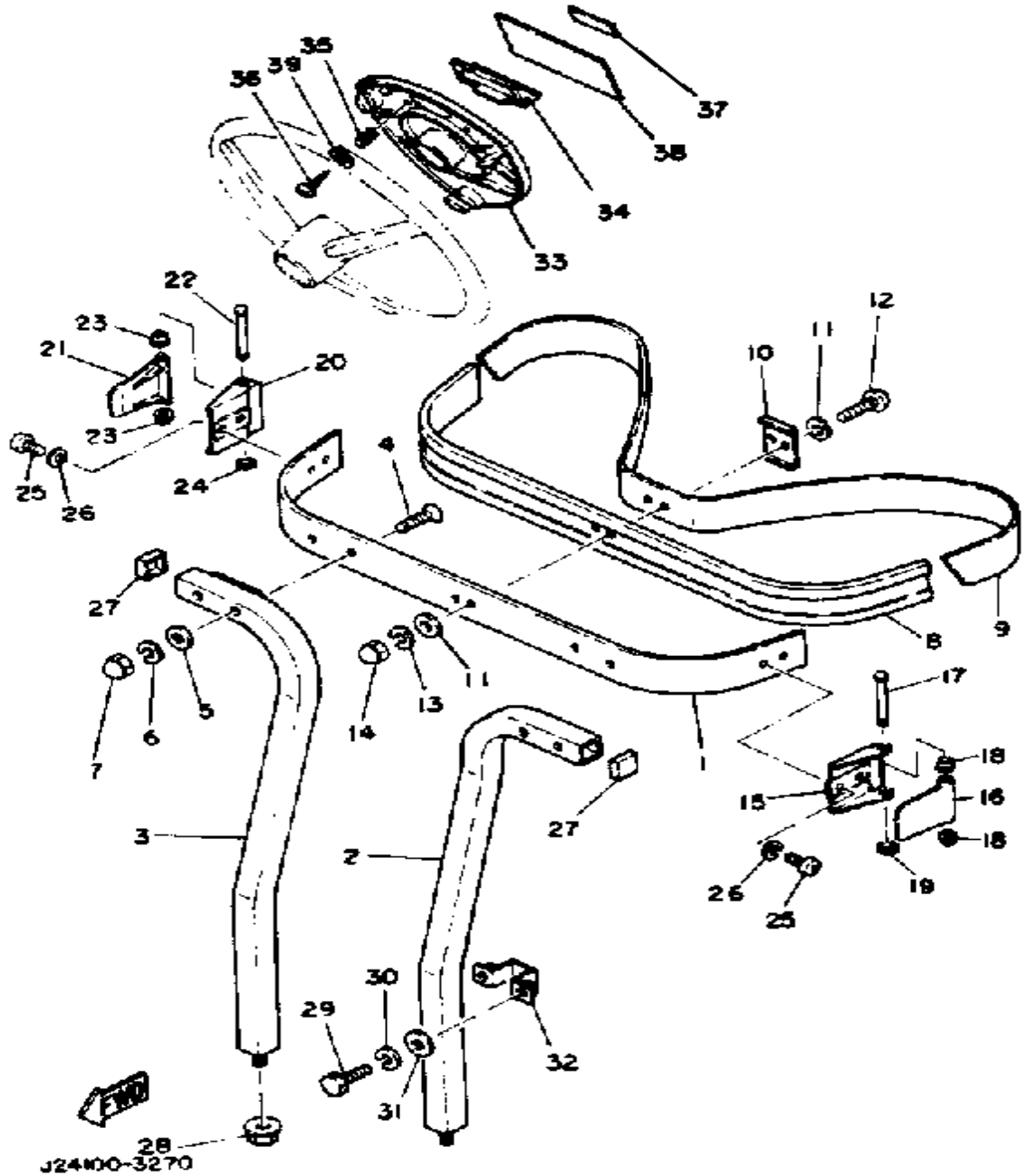
CARRIER



| Ref. No. | Part Number | Description | Qty | Remarks |
|----------|-----------------|---|-----|-------------|
| 1 | J42-78351-00-00 | SUPPORT, BAG UPPER (J10-78351-00-9E) | 1 | IVORY WHITE |
| 2 | J10-78352-00-00 | SUPPORT, BAG LWR 1 (J10-78352-00-9E) | 1 | IVORY WHITE |
| 3 | J10-78353-00-00 | SUPPORT, BAG LWR 2 (J10-78353-00-9E) | 1 | IVORY WHITE |
| 4 | 98701-08045-00 | SCREW, FLAT HEAD (92701-08045) | 4 | |
| 5 | 90202-08022-00 | WASHER, PLATE | 4 | |
| 6 | 92990-08100-00 | WASHER | 4 | |
| 7 | 95380-08800-00 | NUT, CROWN | 4 | |
| 8 | J10-78356-00-00 | PAD, BAG SUPPORT | 1 | |
| 9 | J10-78355-00-00 | BAND | 1 | |
| 10 | J10-78367-00-00 | PLATE, ANCHOR | 1 | |
| 11 | 92990-06200-00 | WASHER | 4 | |
| 12 | 98980-06016-00 | SCREW, BINDING | 2 | |
| 13 | 92995-06100-00 | WASHER, SPRING | 2 | |
| 14 | 95380-06800-00 | NUT | 2 | |
| 15 | J17-78157-01-00 | BASE, LOCK | 1 | |
| 16 | J17-78368-01-00 | LEVER, LOCK | 1 | |
| 17 | J17-78369-00-00 | PIN, LEVER | 1 | |
| 18 | 90386-06108-00 | BUSH | 2 | |
| 19 | 99080-05600-00 | CIRCLIP | 1 | |
| 20 | J17-78157-01-00 | BASE, LOCK | 1 | |
| 21 | J17-78368-01-00 | LEVER, LOCK | 1 | |
| 22 | J17-78369-00-00 | PIN, LEVER | 1 | |
| 23 | 90386-06108-00 | BUSH | 2 | |
| 24 | 99080-05600-00 | CIRCLIP | 1 | |
| 25 | 98580-06010-00 | SCREW, PAN HEAD (92503-06010) | 4 | |

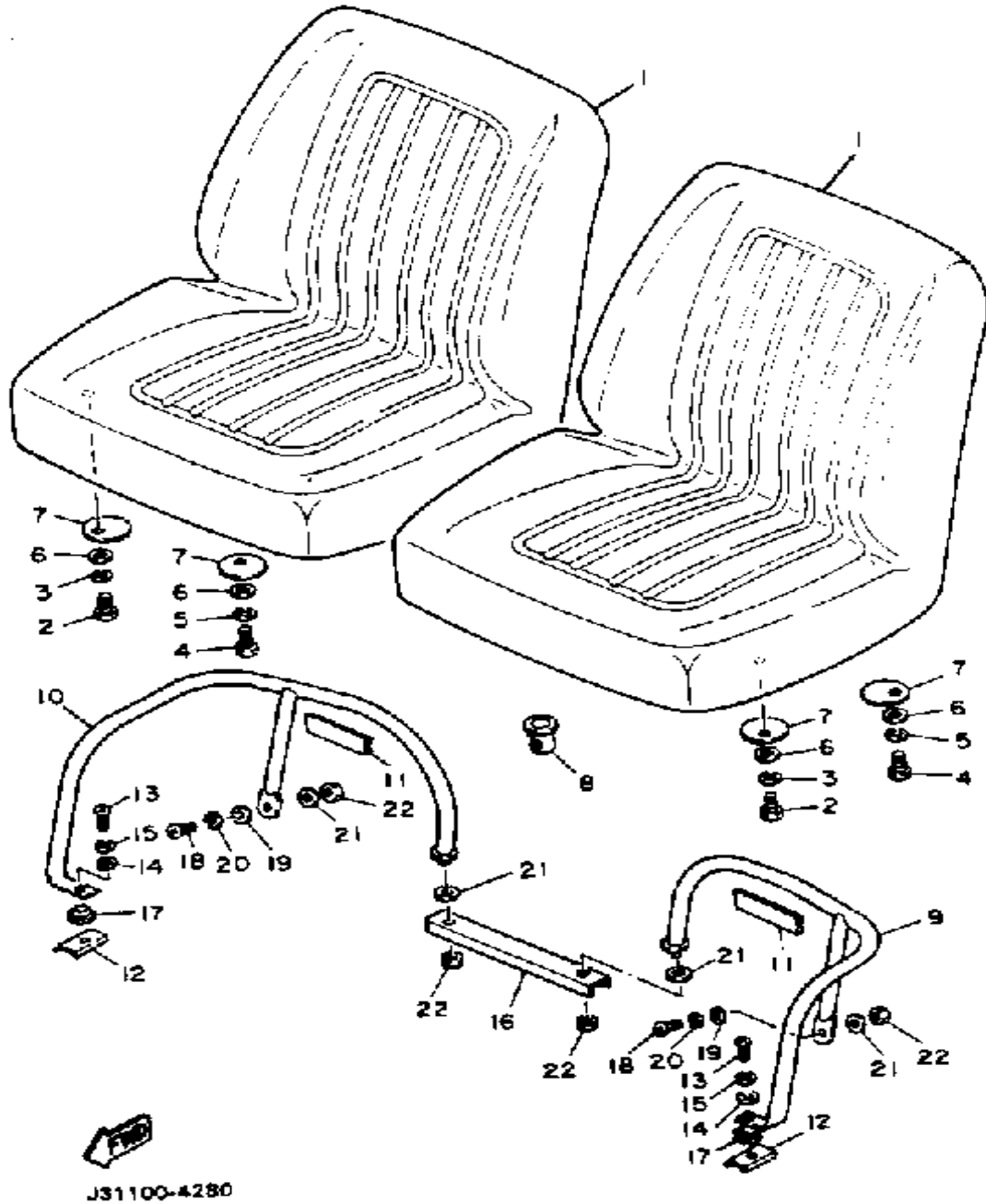
CONTINUED ON NEXT FRAME ►

CARRIER



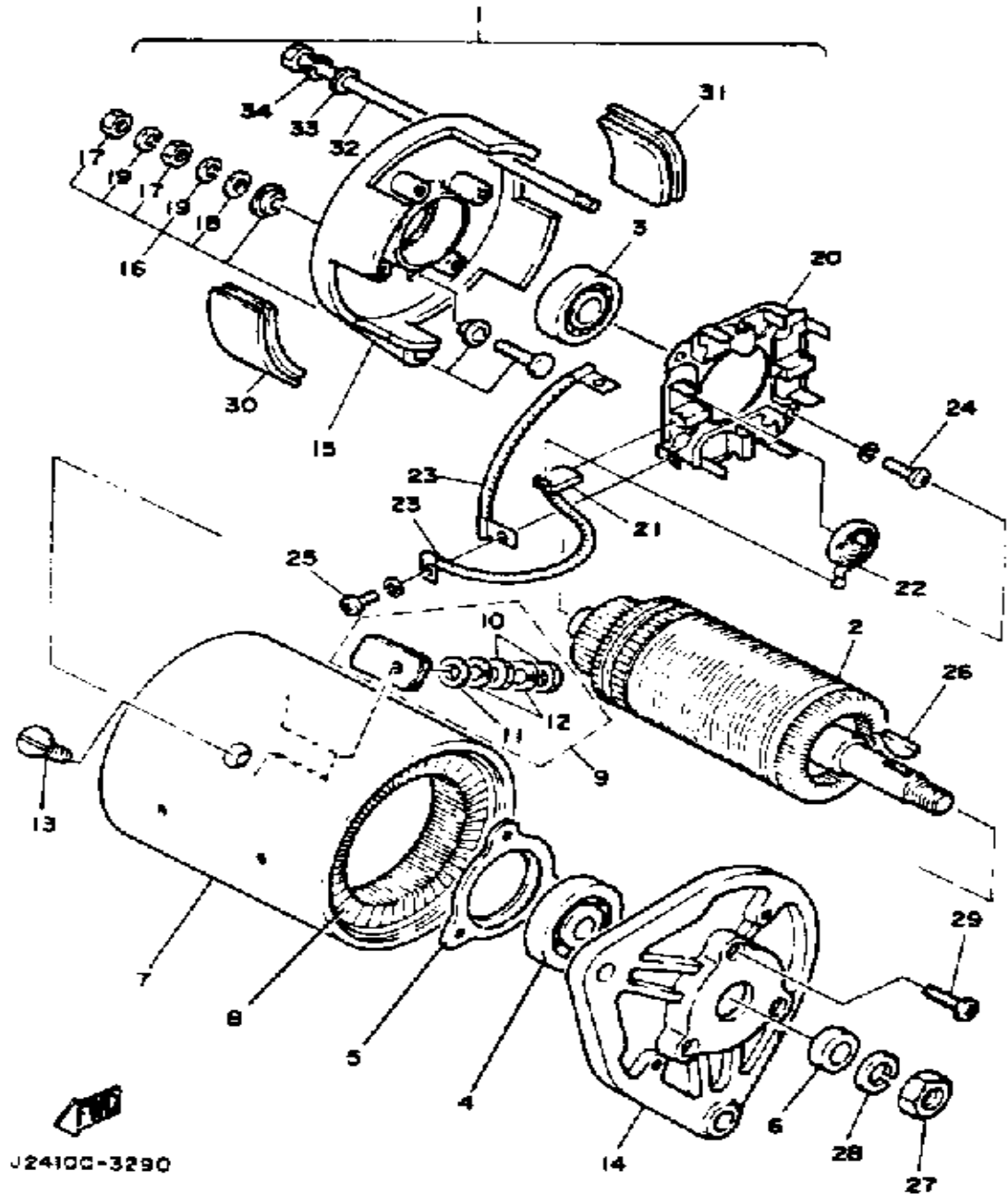
| Ref. No. | Part Number | Description | Qty | Remarks |
|----------|-----------------|-------------------------|-----|---------|
| 26 | 92995-06100-00 | WASHER, SPRING | 4 | |
| 27 | J10-78139-00-00 | CAP, END | 2 | |
| 28 | 95601-10200-00 | NUT, SELF-LOCKING | 2 | |
| 29 | 97313-06065-00 | BOLT, HEXAGON | 4 | |
| 30 | 92995-06100-00 | WASHER, SPRING | 4 | |
| 31 | 92901-06600-00 | WASHER | 4 | |
| 32 | J10-78366-01-00 | CLAMP, SUPPORT | 2 | |
| 33 | J10-78357-01-00 | HOLDER 1 | 1 | |
| 34 | J10-78358-00-00 | HOLDER 2 | 1 | |
| 35 | 90502-10013-00 | SPRING, CONICAL | 2 | |
| 36 | 97780-50125-00 | SCREW, TAPPING | 2 | |
| 37 | J10-78292-00-00 | EMBLEM 2 | 1 | |
| 38 | J10-77762-01-00 | LABEL, WARNING 2 | 1 | |
| 39 | 92901-05600-00 | WASHER, PLATE | 2 | |

SEAT



| Ref. No. | Part Number | Description | Qty | Remarks |
|----------|-----------------|---------------------------------------|-----|---------|
| 1 | J36-78401-90-00 | SEAT SB/ASSEMBLY, CSHN (J24-78401-01) | 2 | U.R. |
| 2 | 97001-08025-00 | BOLT (1NV) | 6 | |
| 3 | 92990-08100-00 | WASHER | 6 | |
| 4 | 97313-08030-00 | BOLT, HEXAGON | 2 | |
| 5 | 92990-08100-00 | WASHER | 2 | |
| 6 | 90201-08310-00 | WASHER, PLATE | 8 | |
| 7 | J10-78439-00-00 | WASHER, SEAT | 8 | |
| 8 | 90480-35346-00 | GROMMET | 2 | |
| 9 | J24-78361-00-00 | ARM REST 1 | 1 | |
| 10 | J24-78362-00-00 | ARM REST 2 | 1 | |
| 11 | J24-78348-00-00 | SPACER, ARM REST | 2 | |
| 12 | J24-78347-00-00 | SPACER, ARMREST | 2 | |
| 13 | 98502-08030-00 | SCREW, PAN HEAD (92502-08030) | 2 | |
| 14 | 92901-08600-00 | WASHER | 2 | |
| 15 | 92990-08100-00 | WASHER | 2 | |
| 16 | J24-78346-00-00 | SUPPORT ARM REST | 1 | |
| 17 | J24-78345-00-00 | WASHER, ARM REST | 2 | |
| 18 | 98501-08025-00 | SCREW, PAN HEAD | 2 | |
| 19 | 92901-08600-00 | WASHER | 2 | |
| 20 | 92990-08100-00 | WASHER | 2 | |
| 21 | 90201-08310-00 | WASHER, PLATE | 4 | |
| 22 | 95611-08100-00 | NUT, U | 4 | |

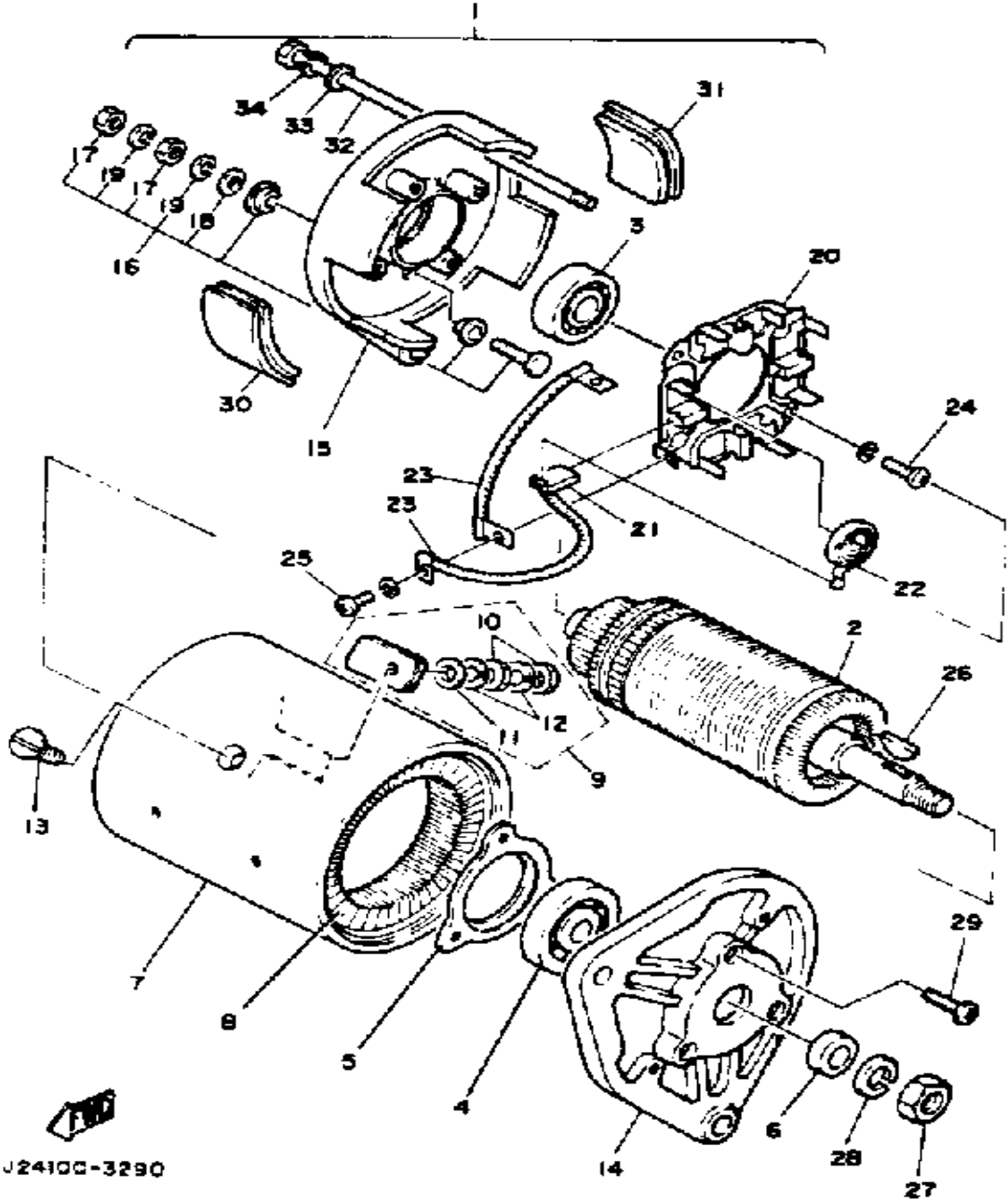
STARTING MOTOR



| Ref. No. | Part Number | Description | Qty | Remarks |
|----------|-----------------|-----------------------------------|-----|---------|
| 1 | J10-81100-10-00 | STARTER GEN ASSEMBLY ASSY | 1 | |
| 2 | J10-81150-10-00 | . ARMATURE ASSEMBLY | 1 | |
| 3 | J10-81157-10-00 | . BEARING 1 (6202 SD) | 1 | |
| 4 | J10-81158-10-00 | . BEARING 2 (6203 SD) | 1 | |
| 5 | J10-81159-10-00 | . HOLDER, BEARING | 1 | |
| 6 | J10-81175-10-00 | . STOPPER 1 | 1 | |
| 7 | J10-81110-10-00 | . STATOR ASSEMBLY | 1 | |
| 8 | J10-81160-10-00 | . FIELD COIL ASSEMBLY | 1 | |
| 9 | J10-81148-10-00 | . SCREW | 2 | |
| 10 | 95380-06600-00 | .. NUT | 4 | |
| 11 | 92901-06600-00 | .. WASHER | 2 | |
| 12 | 92995-06100-00 | .. WASHER, SPRING | 4 | |
| 13 | J10-81146-10-00 | . SCREW | 4 | |
| 14 | J10-81165-10-00 | . BRKT, STARTER GEN 1 GENERATOR 1 | 1 | |
| 15 | J10-81166-10-00 | . BRACKET, STARTER GENERATOR | 1 | |
| 16 | J10-81147-10-00 | . SCREW | 2 | |
| 17 | 95380-06600-00 | .. NUT | 4 | |
| 18 | 92901-06600-00 | .. WASHER | 2 | |
| 19 | 92995-06100-00 | .. WASHER, SPRING | 4 | |
| 20 | J10-81119-10-00 | . BRUSH HOLDER ASSEMBLY | 1 | |
| 21 | J10-81111-10-00 | . BRUSH | 4 | |
| 22 | J10-81113-10-00 | . SPRING, BRUSH | 4 | |
| 23 | J10-81115-10-00 | . WIRE, LEAD | 2 | |
| 24 | 98580-05016-00 | . SCREW, PAN HEAD | 2 | |
| 25 | 98580-04010-00 | . SCREW, PAN HEAD | 4 | |
| 26 | J38-81163-10-00 | . KEY | 1 | |
| 27 | 95312-14600-00 | . NUT | 1 | |

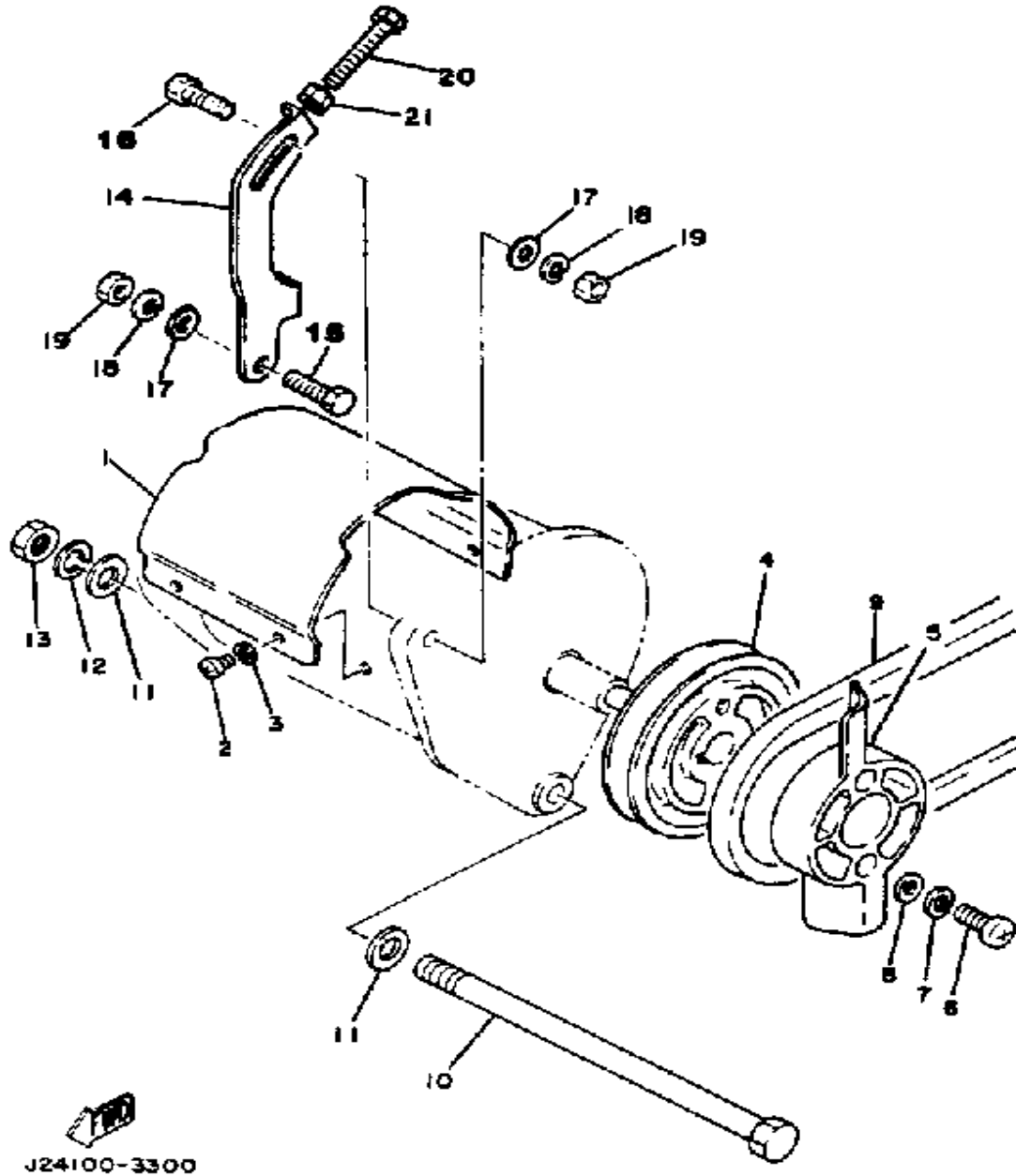
CONTINUED ON NEXT FRAME ►

STARTING MOTOR



| Ref. No. | Part Number | Description | Qty | Remarks |
|----------|-----------------|-------------------------|-----|---------|
| 28 | 92995-06100-00 | . WASHER, SPRING | 1 | |
| 29 | 98501-05018-00 | . SCREW, PAN HEAD | 3 | |
| 30 | J10-81129-10-00 | . COVER, BRUSH | 3 | |
| 31 | J10-81129-10-00 | . COVER, BRUSH | 1 | |
| 32 | J10-81145-10-00 | . SCREW | 2 | |
| 33 | 92901-06600-00 | . WASHER | 2 | |
| 34 | 92995-06100-00 | . WASHER, SPRING | 2 | |

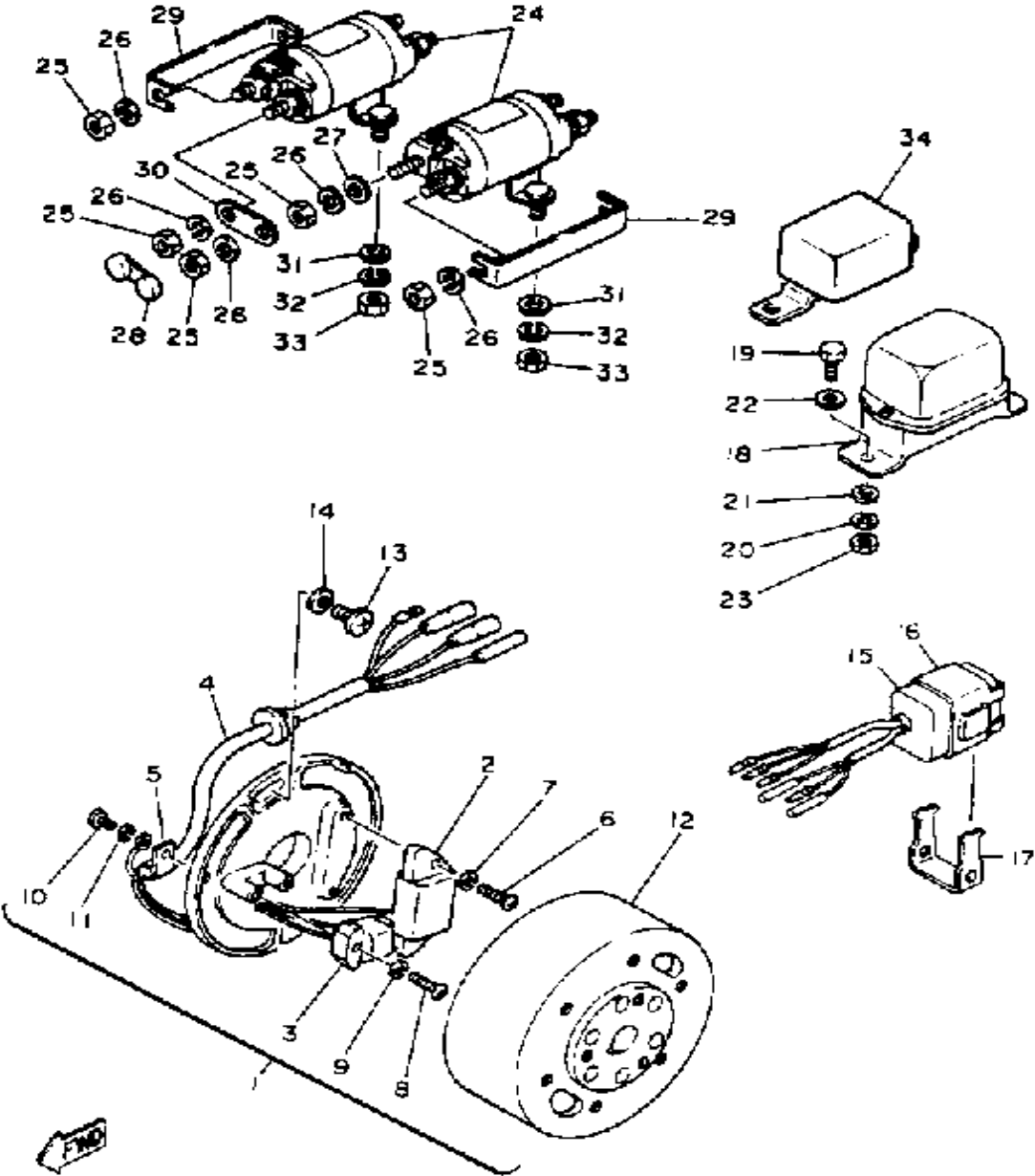
STARTER PULLEY



| Ref. No. | Part Number | Description | Qty | Remarks |
|----------|-----------------|--|-----|---------|
| 1 | J17-87183-00-00 | INSULATOR, GEN | 1 | |
| 2 | 98580-05010-00 | SCREW, PAN HEAD | 4 | |
| 3 | 92990-05100-00 | WASHER, SPRING | 4 | |
| 4 | J10-81161-01-00 | PULLEY | 1 | |
| 5 | J10-87172-00-00 | FAN, GENERATOR | 1 | |
| 6 | 98511-06025-00 | SCREW PAN HEAD (92501-06025) | 2 | |
| 7 | 92995-06100-00 | WASHER, SPRING | 2 | |
| 8 | 92901-06600-00 | WASHER | 2 | |
| 9 | J10-81173-00-XX | BELT | 1 | |
| 10 | 90101-12545-00 | BOLT | 1 | |
| 11 | 92990-12600-00 | WASHER, PLATE | 2 | |
| 12 | 92901-12100-00 | WASHER, SPRING | 1 | |
| 13 | 95303-12600-00 | NUT | 1 | |
| 14 | J17-81170-00-00 | TENSIONER ASSEMBLY (92902-08100) | 1 | |
| 15 | 97313-08020-00 | BOLT, HEXAGON | 1 | |
| 16 | 90109-08653-00 | BOLT | 1 | |
| 17 | 92901-08600-00 | WASHER | 2 | |
| 18 | 92990-08100-00 | WASHER | 2 | |
| 19 | 95333-08600-00 | NUT | 2 | |
| 20 | 90101-06410-00 | BOLT | 1 | |
| 21 | 95380-06700-00 | NUT | 1 | |

J24100-3300

C - D - I - MAGNETO

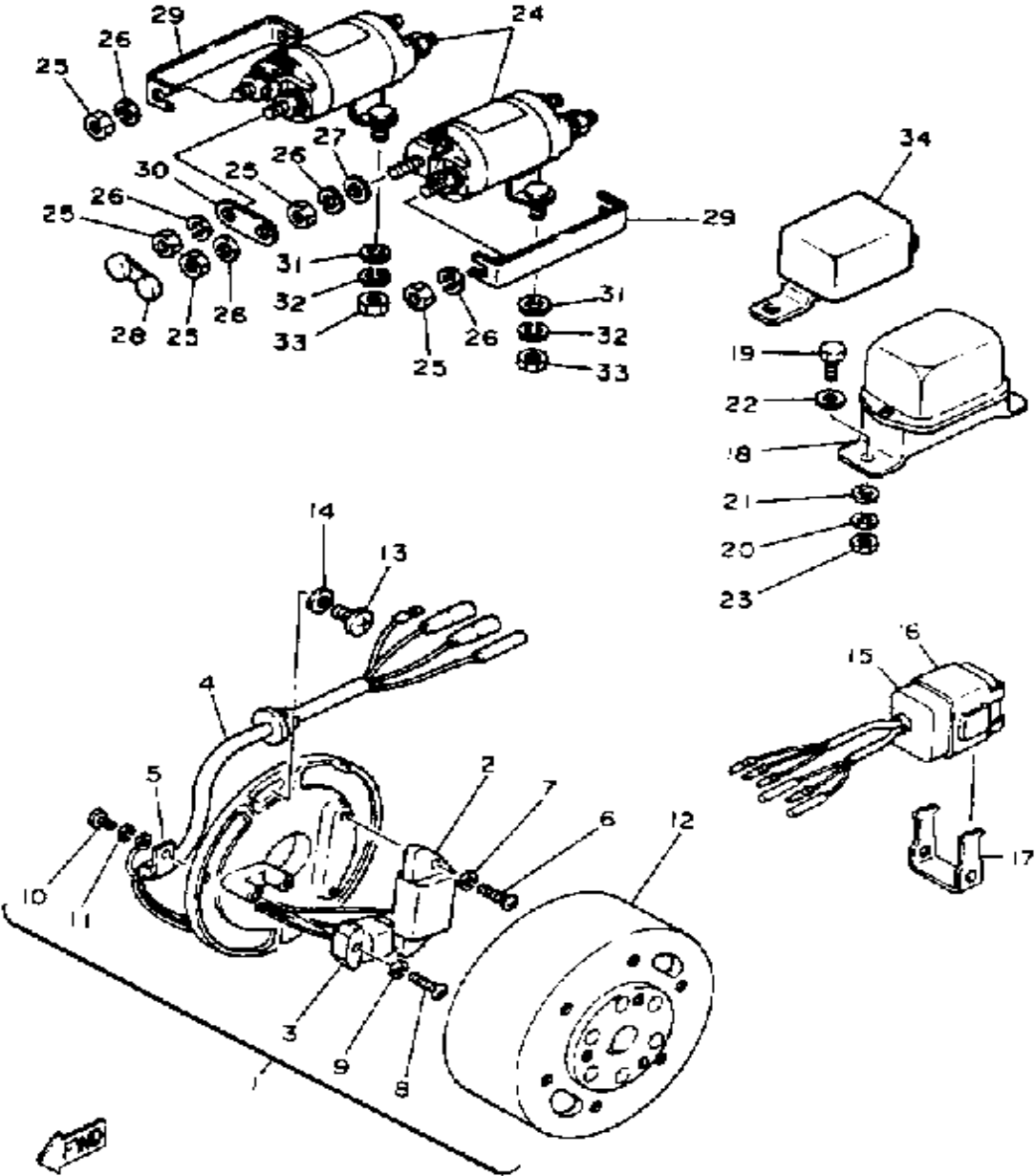


| Ref. No. | Part Number | Description | Qty | Remarks |
|----------|-----------------|---------------------------------|-----|---------|
| 1 | J10-85500-20-00 | CDI MAGNETO ASSEMBLY ... | 1 | |
| 2 | 8G8-85511-20-00 | . COIL SOURCE 1 | 1 | |
| 3 | J10-85580-20-00 | . COIL, PULSER | 1 | |
| 4 | J10-85515-20-00 | . LEAD WIRE ASSEMBLY | 1 | |
| 5 | 104-81328-20-00 | . CLAMP | 2 | |
| 6 | 98580-05020-00 | . SCREW, PAN HEAD | 2 | |
| 7 | 92990-05100-00 | . WASHER, SPRING | 2 | |
| 8 | 98511-04020-00 | . SCREW, PAN HEAD | 2 | |
| 9 | 92901-04100-00 | . WASHER, SPRING | 2 | |
| 10 | 98580-04008-00 | . SCREW, PAN HEAD | 1 | |
| 11 | 92901-04100-00 | . WASHER, SPRING | 1 | |
| 12 | J10-85550-20-00 | . ROTOR ASSEMBLY | 1 | |
| 13 | 98903-06014-00 | SCREW, BIND | 2 | |
| 14 | 90201-06043-00 | WASHER, PLATE | 2 | |
| 15 | J10-85540-20-00 | CDI UNIT ASSEMBLY | 1 | |
| 16 | 82M-21245-00-00 | BOX | 1 | |
| 17 | 2A7-85546-00-00 | BAND | 1 | |
| 18 | J10-81910-10-00 | VOLTAGE REG ASSEMBLY ASSY | 1 | |
| 19 | 97313-06016-00 | BOLT, HEXAGON | 2 | |
| 20 | 92995-06100-00 | WASHER, SPRING | 2 | |
| 21 | 92901-06600-00 | WASHER | 2 | |
| 22 | 90201-06043-00 | WASHER, PLATE | 2 | |
| 23 | 95380-06600-00 | NUT | 2 | |
| 24 | J17-81950-01-00 | RELAY ASSEMBLY | 2 | |
| 25 | 95303-08700-00 | . NUT | 8 | |
| 26 | 92990-08100-00 | . WASHER | 8 | |
| 27 | 92901-08600-00 | . WASHER | 4 | |
| 28 | J24-82532-00-00 | CAP | 4 | |

J31100-4290

CONTINUED ON NEXT FRAME ►

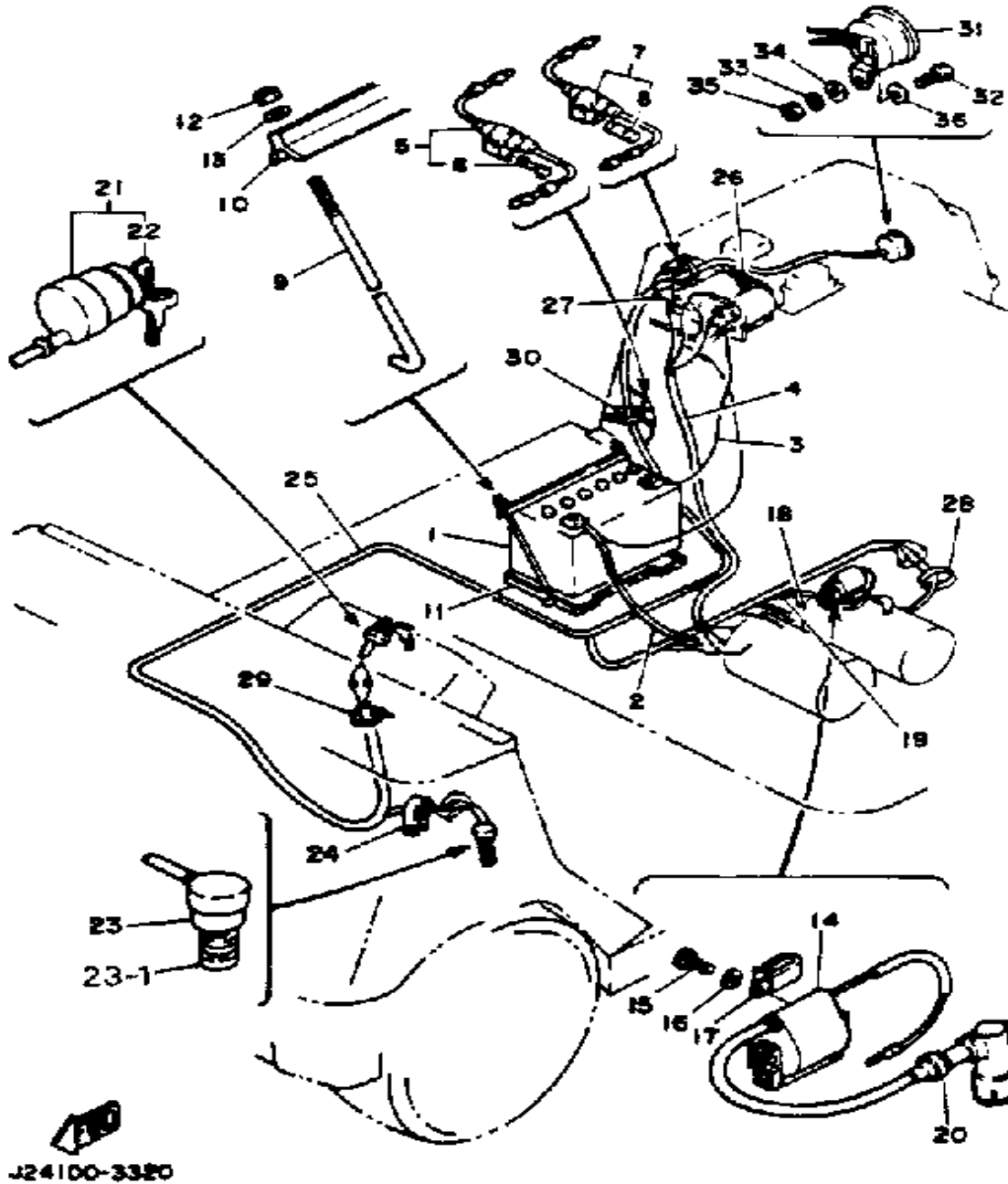
C - D - I - MAGNETO



| Ref. No. | Part Number | Description | Qty | Remarks |
|----------|-----------------|---------------------|-----|---------|
| 29 | J17-86126-00-00 | PLATE, CONNECTING 1 | 2 | |
| 30 | J17-86127-00-00 | PLATE, CONNECTING 2 | 2 | |
| 31 | 92990-08200-00 | WASHER, PLAIN | 4 | |
| 32 | 92990-08100-00 | WASHER | 4 | |
| 33 | 95333-08600-00 | NUT | 4 | |
| 34 | J17-81920-19-00 | SOLENOID REBLD KIT | 1 | |
| | J27-81950-01-00 | RELAY ASSEMBLY. | 1 | |

J31100-4290

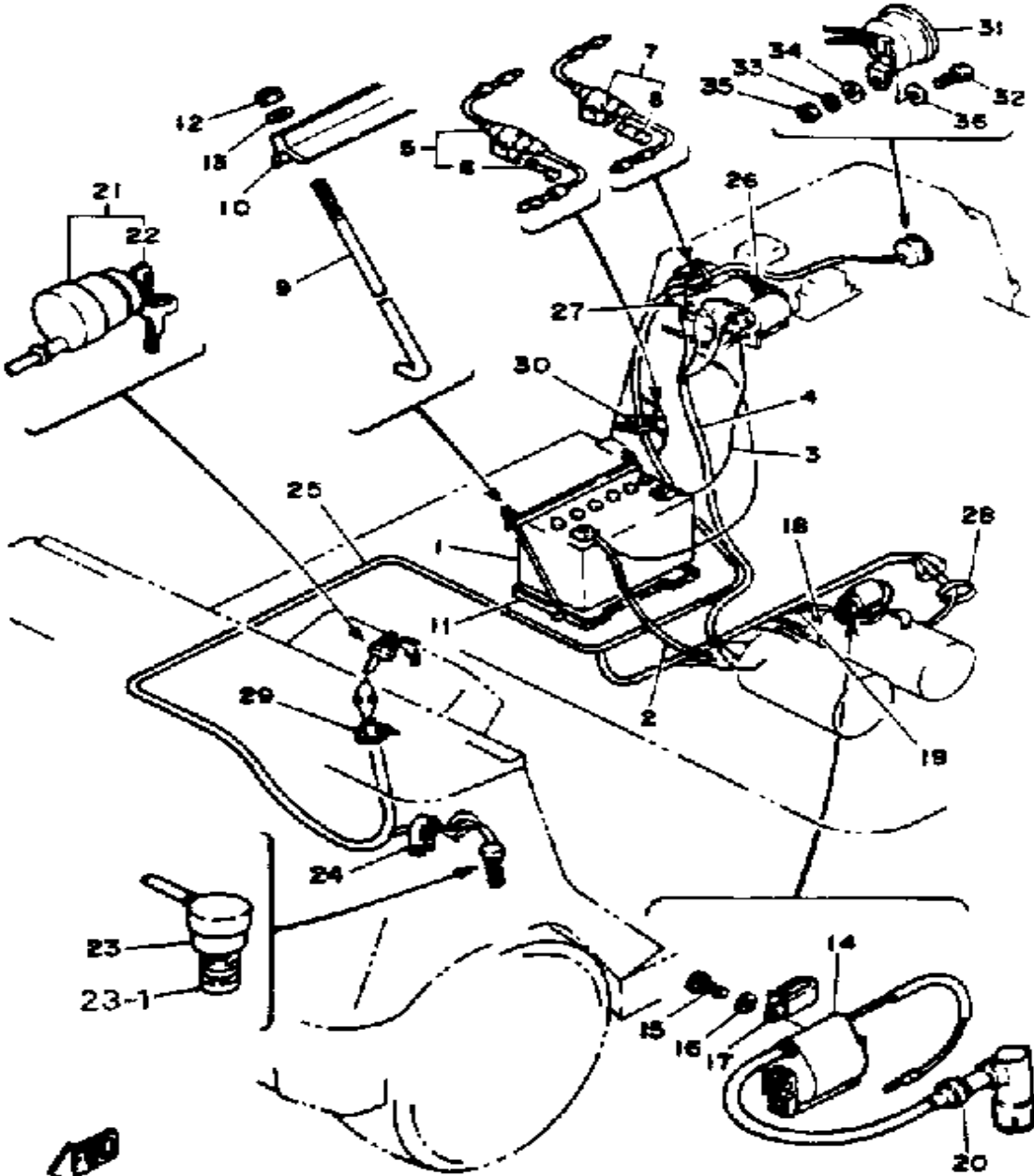
ELECTRICAL 1



| Ref. No. | Part Number | Description | Qty | Remarks |
|----------|-----------------|--|-----|-----------------------|
| 1 | *--- | FRONT WHEEL ASSEMBLY .. | 1 | LM (SEE NOTE) |
| 2 | J10-82115-00-00 | WIRE, PLUS LEAD | 1 | |
| 3 | J17-82116-00-00 | WIRE, MINUS LEAD | 1 | |
| 4 | J17-82105-00-00 | WIRE HARNESS | 1 | |
| 5 | 1E6-82150-00-00 | FUSE HOLDER ASSEMBLY ... | 1 | |
| 6 | 1E6-82151-00-00 | . FUSE (10A) | 2 | |
| 7 | 1E6-82150-00-00 | FUSE HOLDER ASSEMBLY ... | 1 | |
| 8 | 1E6-82151-00-00 | . FUSE (10A) | 2 | |
| 9 | J17-82133-00-00 | SCREW, FITTING | 2 | |
| 10 | J55-H2136-00-00 | PLATE, BATTERY | 1 | |
| 11 | J55-H2122-00-00 | SEAT, BATTERY | 1 | |
| 12 | 95701-06300-00 | NUT, NYLON | 2 | |
| 13 | 92990-06200-00 | WASHER | 2 | |
| 14 | 5G4-82310-40-00 | IGNITION COIL ASSEMBLY (J17-82310-21) | 1 | |
| 15 | 98511-06025-00 | SCREW PAN HEAD (92501-06025) | 2 | |
| 16 | 92995-06100-00 | WASHER, SPRING | 2 | |
| 17 | 90465-06038-00 | CLAMP | 1 | |
| 18 | 90464-12036-00 | CLAMP | 1 | |
| 19 | J42-82318-00-00 | WIRE, SUB-LEAD | 1 | |
| 20 | 512-82370-10-00 | PLUG CAP ASSEMBLY | 1 | W/NOISE SUPPRESSOR |
| 21 | J17-82508-20-00 | MAIN SWITCH ASSEMBLY ... | 1 | |
| 22 | J17-82511-20-00 | . KEY, MAIN SWITCH | 2 | |
| 23 | J17-82550-01-00 | STOP SWITCH ASSEMBLY ... | 1 | |
| 24 | 90465-08028-00 | CLAMP | 1 | |
| 25 | J27-82590-20-00 | WIRE HARNESS ASSEMBLY .. | 1 | |
| 26 | J17-86177-00-00 | WIRE, LEAD 7 | 1 | |
| 27 | J42-82318-00-00 | WIRE, SUB-LEAD | 1 | |

CONTINUED ON NEXT FRAME ►

ELECTRICAL 1



J24100-3320

| Ref. No. | Part Number | Description | Qty | Remarks |
|----------|-----------------|-------------------------|-----|---------|
| 28 | 437-83936-01-00 | BAND, SWITCH CORD | 1 | |
| 29 | 25G-83936-01-00 | BAND, SWITCH CORD | 1 | |
| 30 | 90464-12036-00 | CLAMP | 4 | |
| 31 | J10-83383-02-00 | BUZZER | 1 | |
| 32 | 97313-06016-00 | BOLT, HEXAGON | 1 | |
| 33 | 92995-06100-00 | WASHER, SPRING | 1 | |
| 34 | 92901-06600-00 | WASHER | 1 | |
| 35 | 95380-06600-00 | NUT | 1 | |
| 36 | 90201-06043-00 | WASHER, PLATE | 1 | |
| 23-1 | JF2-82532-00-00 | . CAP, RUBBER | 1 | |