



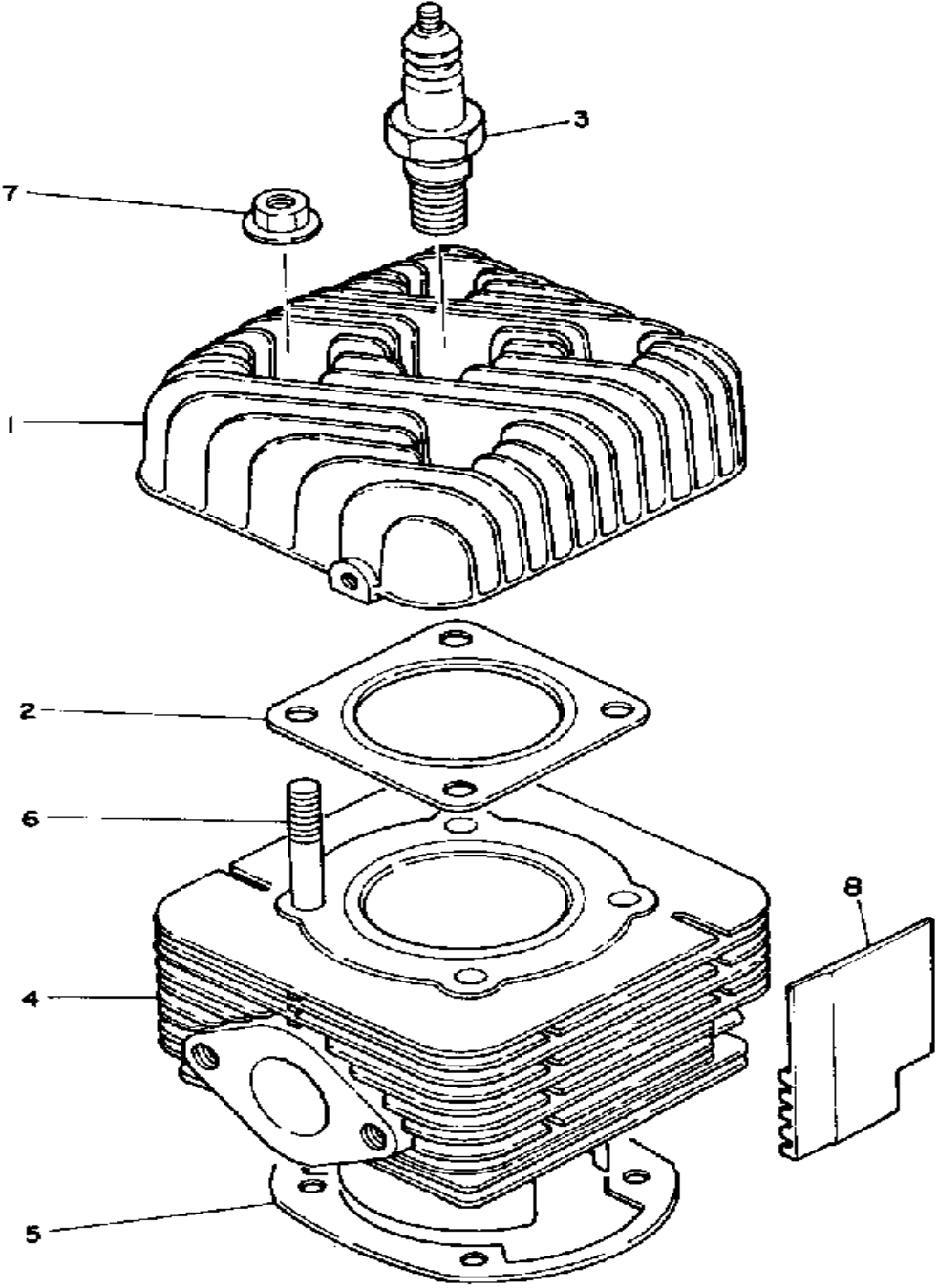
**YAMAHA**

**GENUINE**

**PARTS CATALOGUE**

**GOLF CAR**

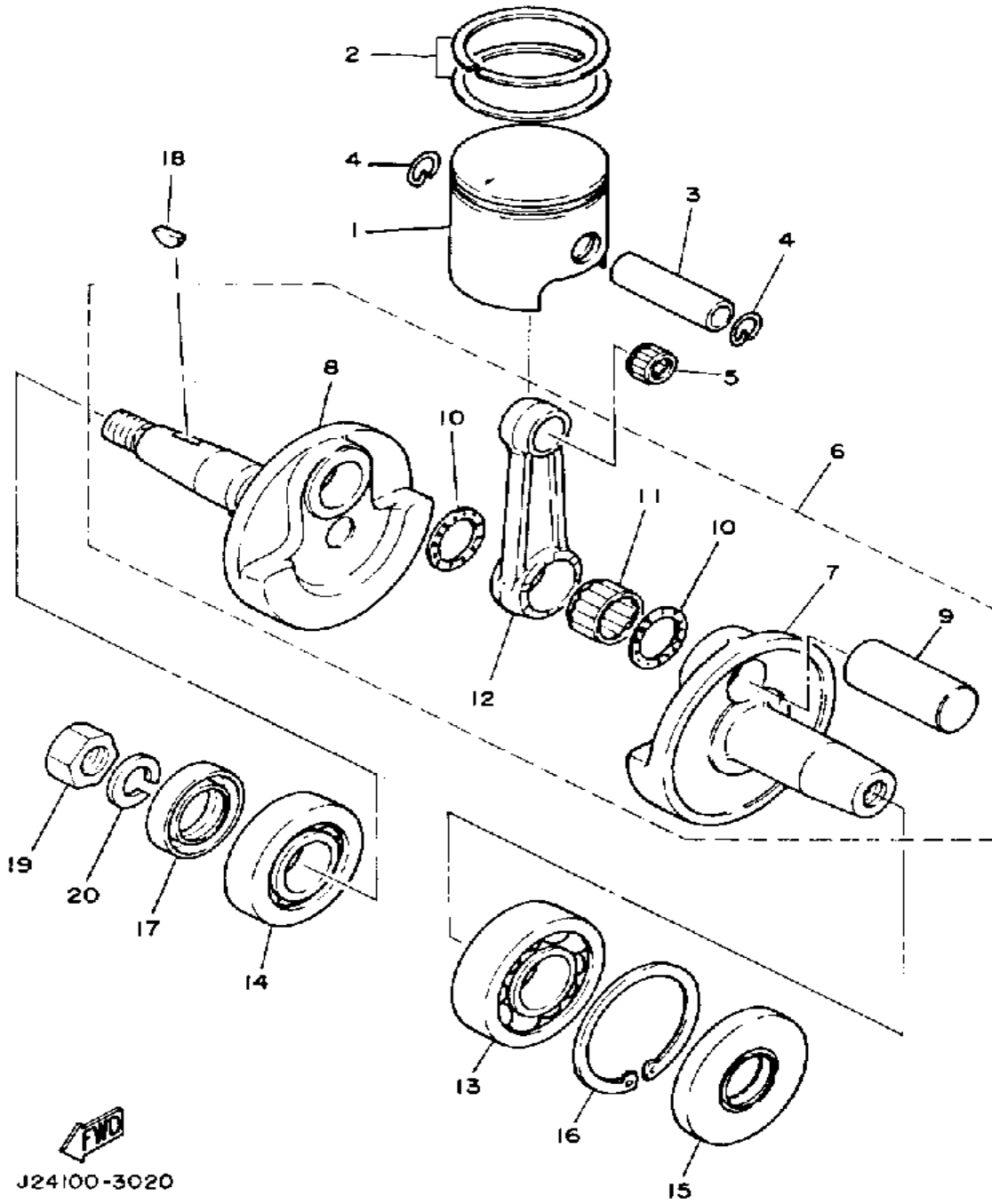
# CYLINDER



| Ref. No. | Part Number     | Description                  | Qty | Remarks |
|----------|-----------------|------------------------------|-----|---------|
| 1        | J10-11111-00-00 | HEAD, CYLINDER 1 .....       | 1   |         |
| 2        | J10-11181-00-00 | GASKET, CYLINDER HEAD 1 .    | 1   |         |
| 3        | NGK-BP5HS-00-00 | NGK BP5HS 10PK .....         | 1   |         |
|          | NGK-BP6HS-00-00 | PLUG, SPARK (NGK BP6HS) ..   | 1   |         |
| 4        | J10-11311-00-00 | CYLINDER 1 .....             | 1   |         |
| 5        | 881-11351-01-00 | GASKET, CYLINDER .....       | 1   |         |
| 6        | 90116-08079-00  | BOLT, STUD .....             | 4   |         |
| 7        | 95701-08500-00  | NUT, FLANGE (95702-08500) .. | 4   |         |
| 8        | J24-11127-00-00 | ABSORBER 3 .....             | 1   |         |

 J24100-3010

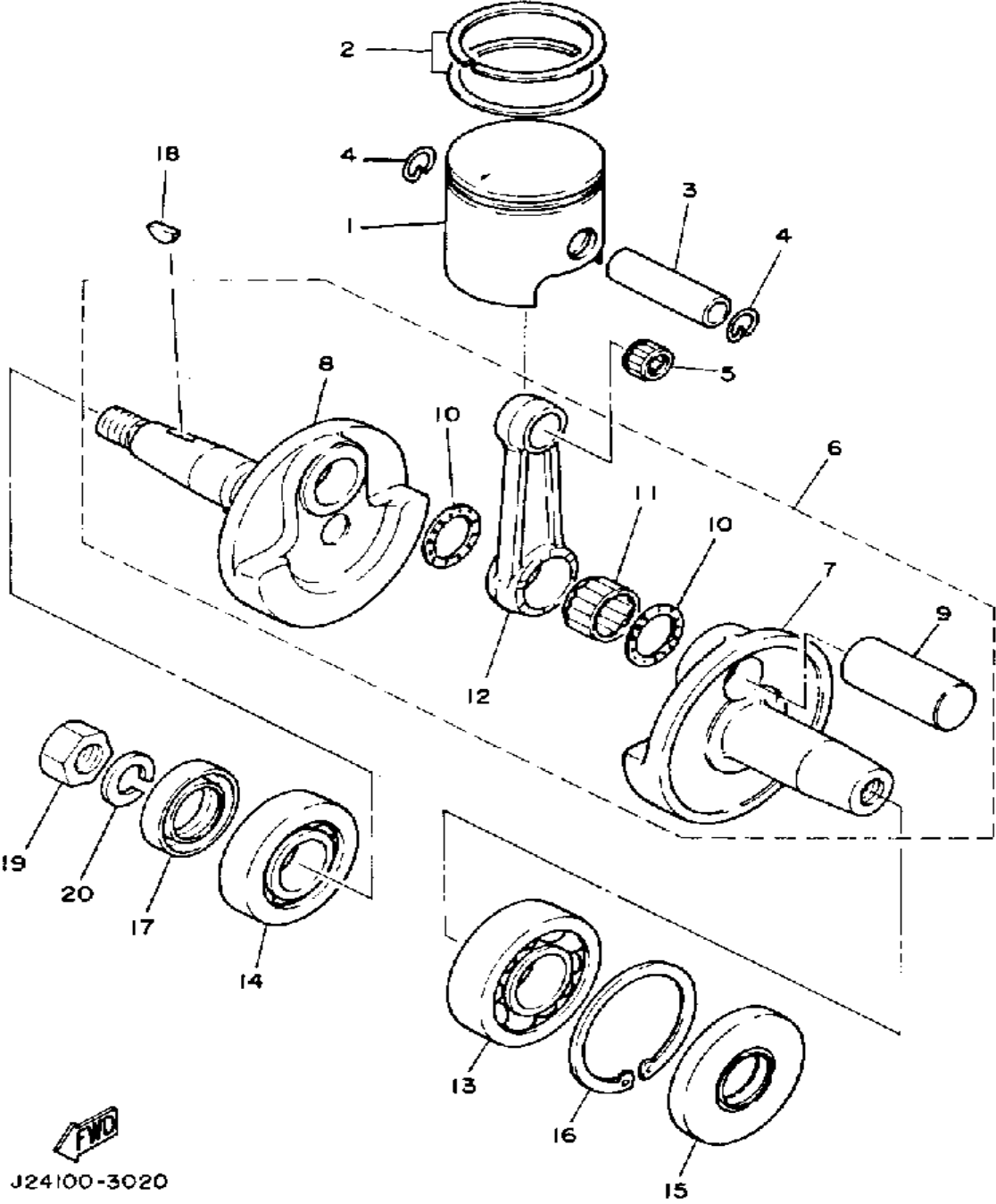
# CRANKSHAFT - PISTON



| Ref. No. | Part Number     | Description                  | Qty | Remarks   |
|----------|-----------------|------------------------------|-----|-----------|
| 1        | J10-11631-00-96 | PISTON STD                   | 1   | UR        |
|          | J10-11635-00-00 | PISTON 1 O/S 0.5             | 1   | ALT. PART |
|          | J10-11636-00-00 | PISTON 2 O/S 0.0             | 1   | ALT. PART |
|          | J10-11637-00-00 | PISTON 3 O/S 0.5             | 1   | ALT. PART |
|          | J10-11638-00-00 | PISTON 4 O/S 1.0             | 1   | ALT. PART |
| 2        | J10-11610-00-00 | PISTON RINGSET STD           | 1   |           |
|          | J10-11610-10-00 | PISTON RINGSET 1ST (1ST O/S) | 1   | ALT. PART |
|          | J10-11610-20-00 | PISTON RINGSET 2ND (2ND O/S) | 1   | ALT. PART |
|          | J10-11610-30-00 | PISTON RINGSET 3RD (3RD O/S) |     | ALT. PART |
|          | J10-11610-30-00 | PISTON RINGSET 3RD (3RD O/S) | 1   | ALT. PART |
|          | J10-11610-40-00 | PISTON RINGSET 4TH (4TH O/S) |     | ALT. PART |
|          | J10-11610-40-00 | PISTON RINGSET 4TH (4TH O/S) | 1   | ALT. PART |
| 3        | 818-11633-00-00 | PIN, PISTON                  | 1   |           |
| 4        | 93450-20026-00  | CIRCLIP                      | 2   |           |
| 5        | 93310-218A6-00  | BEARING, CYLINDRICAL         | 1   |           |
| 6        | J10-11400-00-00 | CRANKSHAFT ASSEMBLY          | 1   |           |
| 7        | J10-11412-00-00 | . CRANK 1                    | 1   |           |
| 8        | J10-11422-00-00 | . CRANK 2                    | 1   |           |
| 9        | 857-11681-00-00 | . PIN, CRANK 1               | 1   |           |
| 10       | 90209-24073-00  | . WASHER, SPEC'L SHAP        | 2   |           |
| 11       | 93310-42497-00  | . BEARING, CYLINDER.# 0      | 1   |           |
| 12       | 881-11651-00-00 | . ROD, CONNECTING            | 1   |           |
| 13       | 93306-30630-00  | BEARING                      | 1   |           |
| 14       | 93306-20622-00  | BEARING                      | 1   |           |
| 15       | 93102-30188-00  | OIL SEAL, SD-TYPE            | 1   |           |

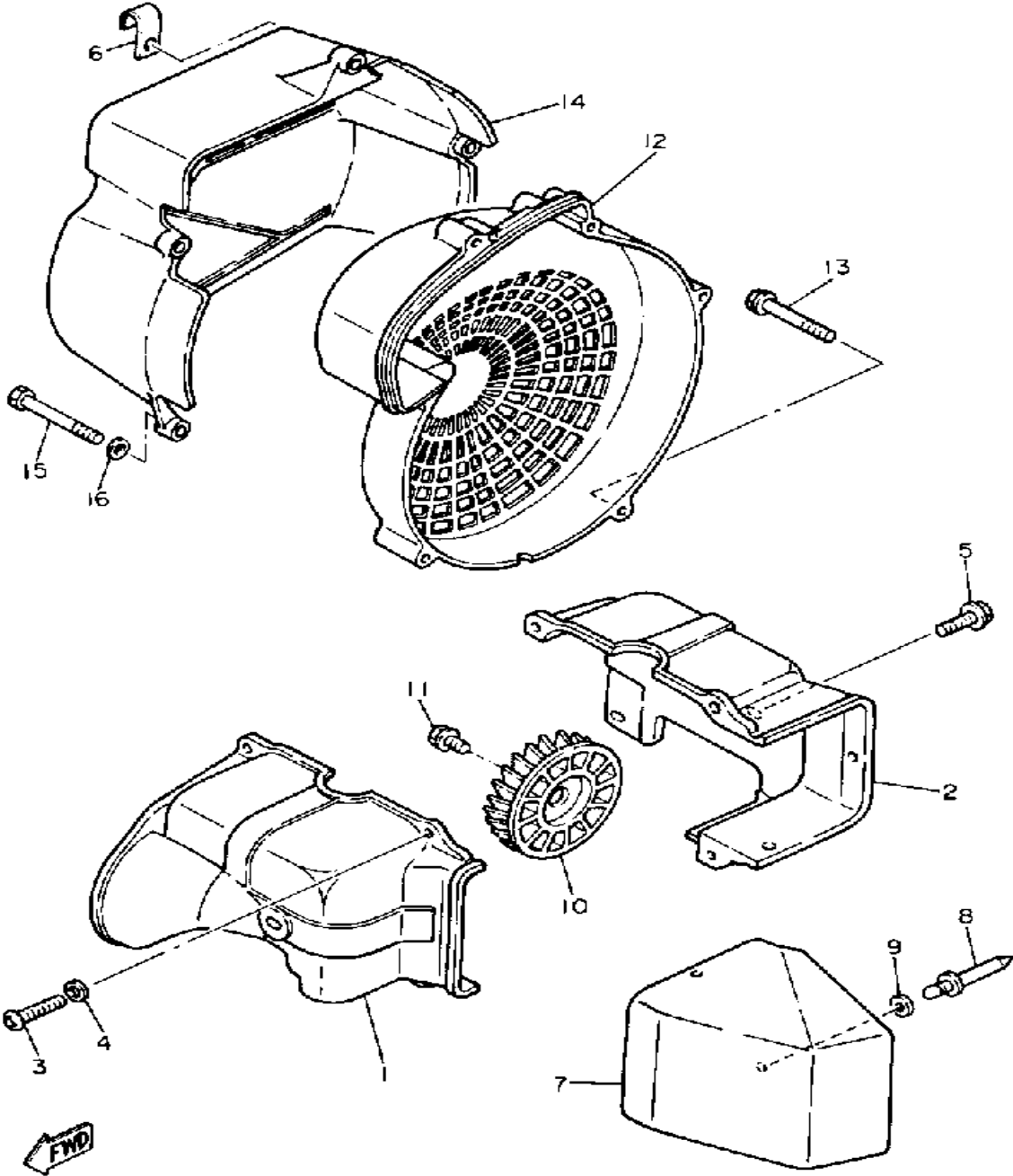
CONTINUED ON NEXT FRAME ►

# CRANKSHAFT - PISTON



| Ref. No. | Part Number    | Description                             | Qty | Remarks |
|----------|----------------|---|-----|---------|
| 16       | 93450-72048-00 | CIRCLIP, INNER .....                    | 1   |         |
| 17       | 93102-30128-00 | OIL SEAL, SD-TYPE .....                 | 1   |         |
| 18       | 90280-16053-00 | KEY, WOODRUFF<br>(90280-05048-00) ..... | 1   |         |
| 19       | 90170-16182-00 | NUT, HEXAGON .....                      | 1   |         |
| 20       | 92901-16100-00 | WASHER, SPRING .....                    | 1   |         |

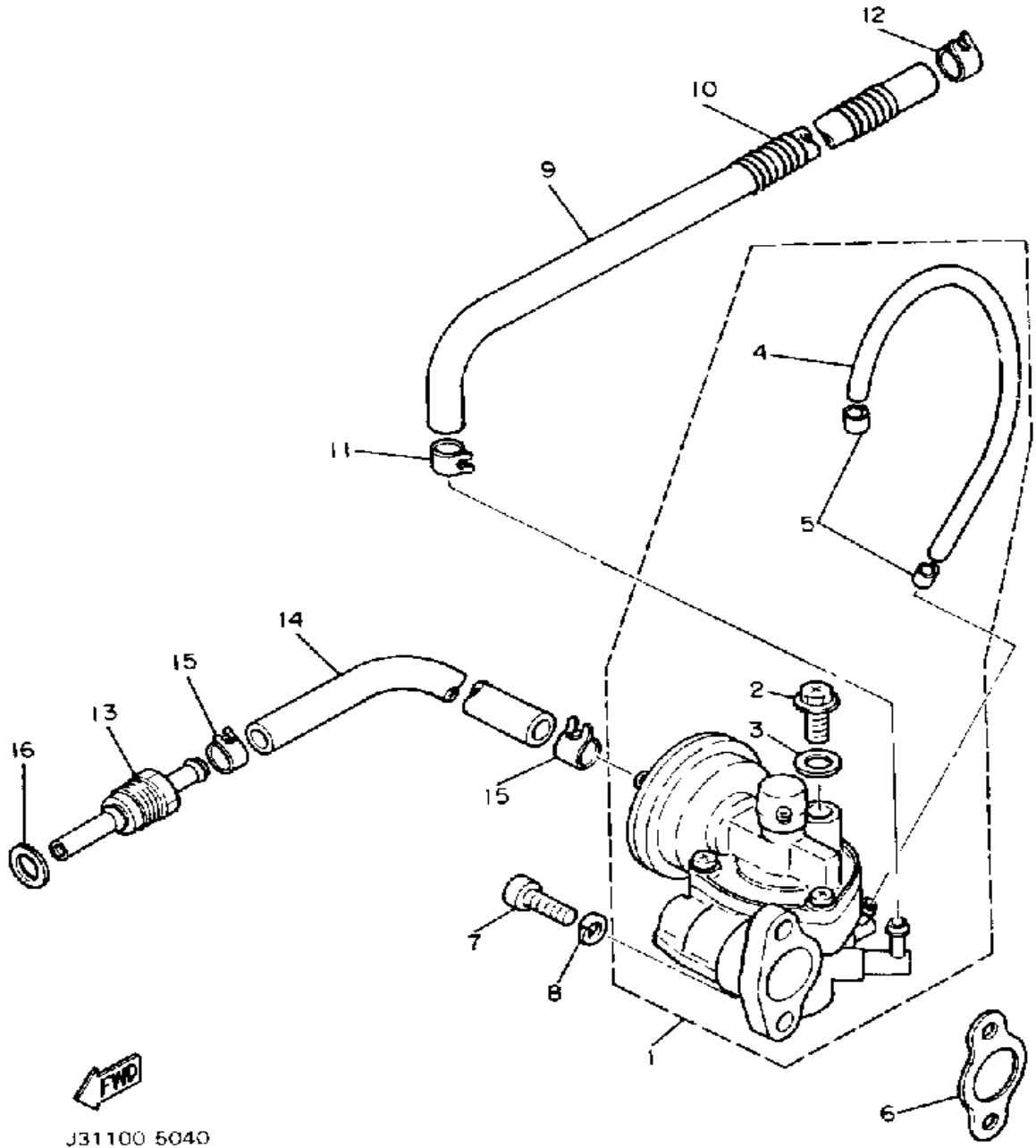
# AIR SHROUD - FAN



J31100-5030

| Ref. No. | Part Number     | Description                           | Qty | Remarks |
|----------|-----------------|---------------------------------------|-----|---------|
| 1        | J10-12651-00-00 | AIR SHROUD, CYLINDER 1<br>1CYLINDER 1 | 1   |         |
| 2        | J24-12652-00-00 | AIR SHROUD, CYLINDER 2<br>2CYLINDER 2 | 1   |         |
| 3        | 98503-06014-00  | SCREW, PAN HEAD<br>(92501-06015)      | 5   |         |
| 4        | 92990-06600-00  | WASHER, PLATE                         | 5   |         |
| 5        | 90119-06108-00  | BOLT, WITH WASHER                     | 4   |         |
| 6        | 90462-08056-00  | CLAMP                                 | 1   |         |
| 7        | J10-12631-00-00 | DEFLECTOR 1                           | 1   |         |
| 8        | 90267-48086-00  | RIVET, BLIND                          | 3   |         |
| 9        | 90201-04325-00  | WASHER, PLATE                         | 3   |         |
| 10       | 8G8-12611-01-00 | FAN                                   | 1   |         |
| 11       | 95811-06012-00  | BOLT, FLANGE (95801-06012)            | 6   |         |
| 12       | J10-12621-01-00 | CASE, FAN                             | 1   |         |
| 13       | 95811-06050-00  | BOLT, FLANGE                          | 1   |         |
| 14       | J24-12616-00-00 | COVER, FAN CASE                       | 1   |         |
| 15       | 97313-06060-00  | BOLT, HEXAGON                         | 4   |         |
| 16       | 92990-06600-00  | WASHER, PLATE                         |     |         |

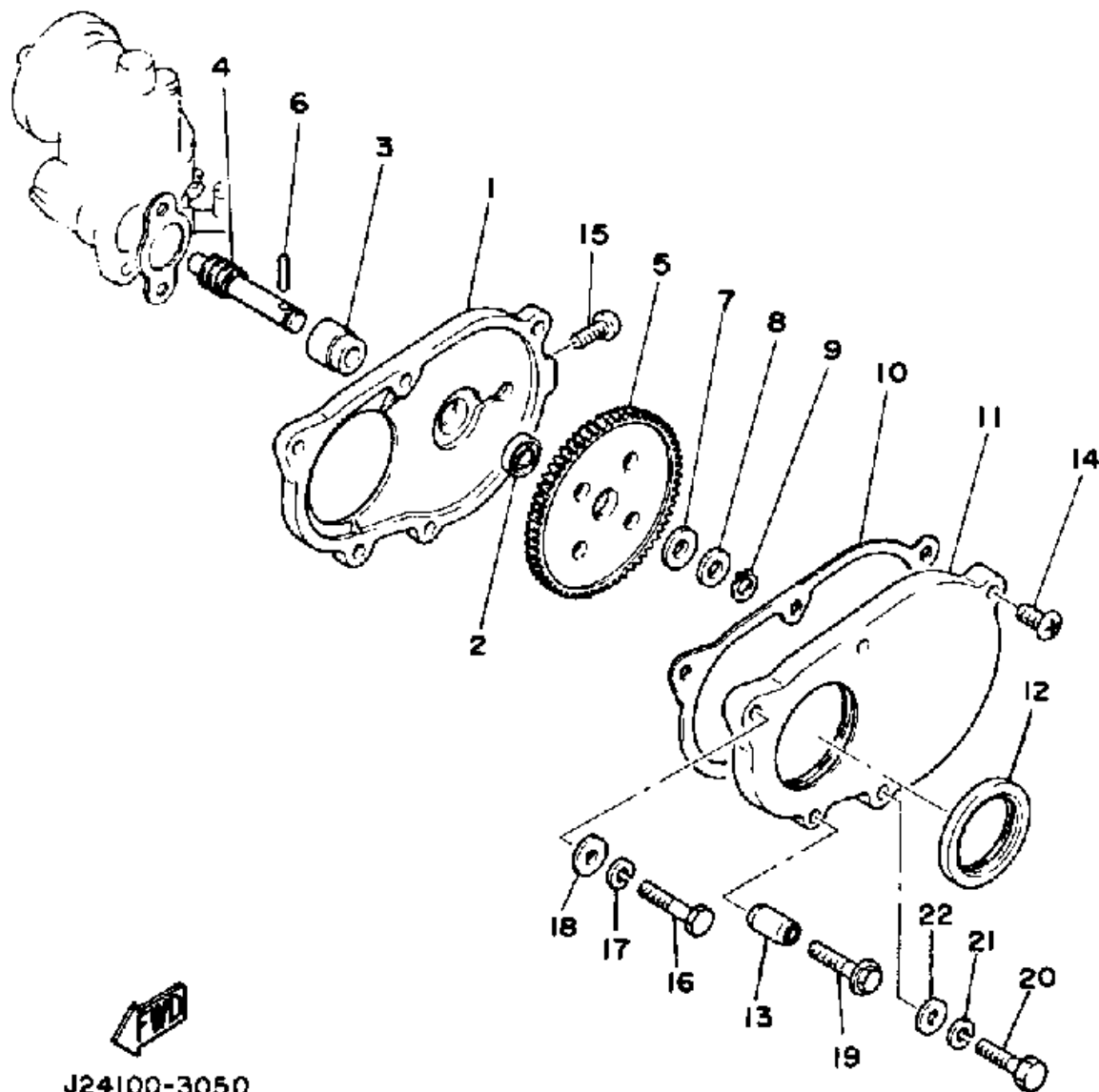
# OIL PUMP



| Ref. No. | Part Number     | Description         | Qty | Remarks |
|----------|-----------------|---------------------|-----|---------|
| 1        | J24-13101-00-00 | OIL PUMP ASSEMBLY   | 1   |         |
| 2        | 90401-06001-00  | . BOLT, UNION       | 1   |         |
| 3        | 90430-06180-00  | . GASKET            | 1   |         |
| 4        | 90445-05214-00  | . HOSE              | 1   |         |
| 5        | 90468-02033-00  | . CLIP              | 2   |         |
| 6        | 3MT-13116-00-00 | GASKET, PUMP CASE   | 1   |         |
| 7        | 98580-05016-00  | SCREW, PAN HEAD     | 2   |         |
| 8        | 92990-05100-00  | WASHER, SPRING      | 2   |         |
| 9        | 90445-09635-00  | HOSE                | 1   |         |
| 10       | 90501-08430-00  | SPRING, COMPRESSION | 1   |         |
| 11       | 90467-09005-00  | CLIP                | 1   |         |
| 12       | 90467-09026-00  | CLIP                | 1   |         |
| 13       | J10-13283-00-00 | JET, SENSER         | 1   |         |
| 14       | 90445-11634-00  | HOSE                | 1   |         |
| 15       | 90467-10035-00  | CLIP                | 2   |         |
| 16       | 90201-08624-00  | WASHER, PLATE       | 1   |         |

J31100 5040

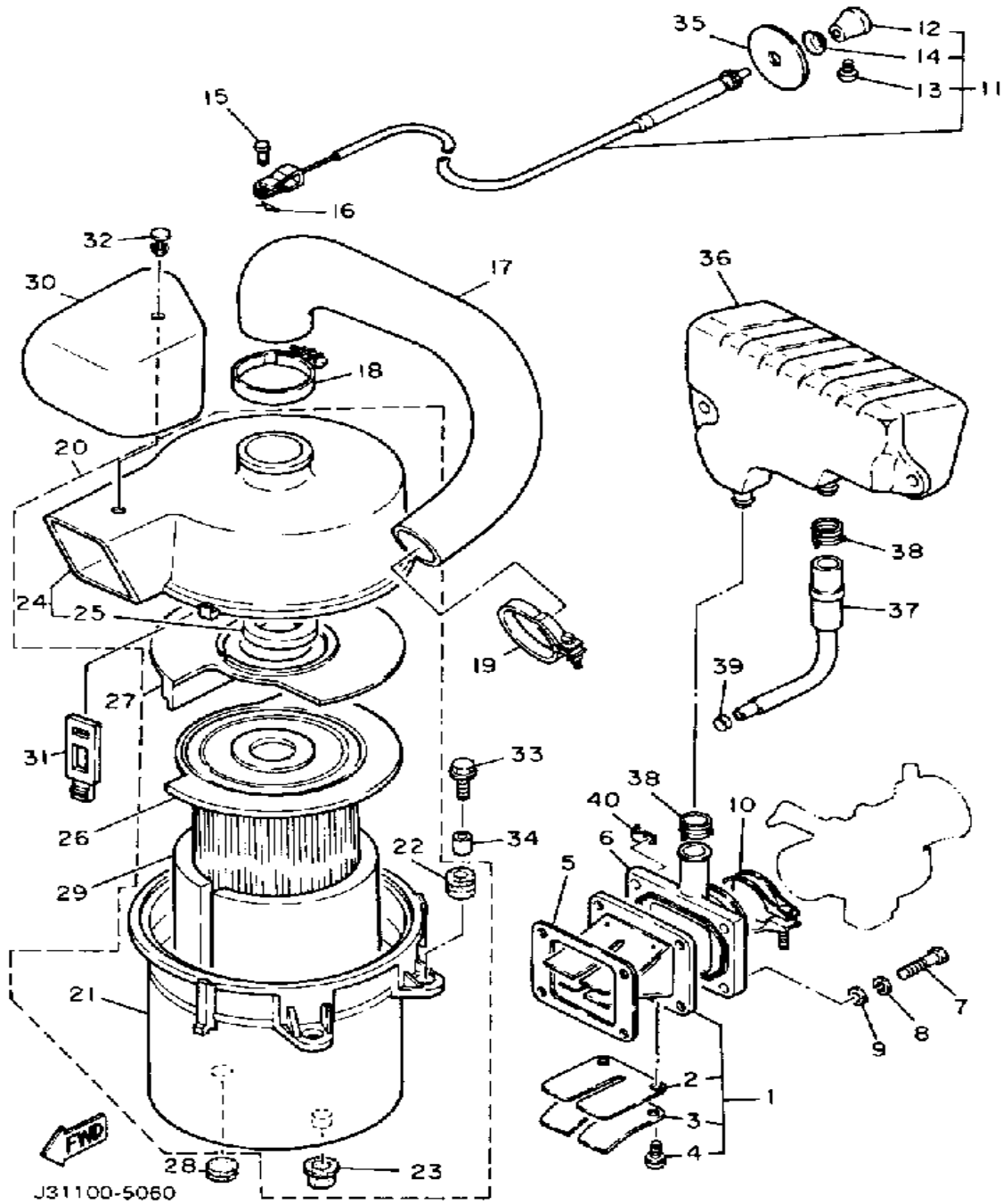
# PUMP DRIVE - GEAR



| Ref. No. | Part Number     | Description                      | Qty | Remarks |
|----------|-----------------|----------------------------------|-----|---------|
| 1        | J10-15416-00-00 | COVER, OIL PUMP                  | 1   |         |
| 2        | 93101-10090-00  | OIL SEAL,                        | 1   |         |
| 3        | 1E7-13176-00-00 | METAL, WRM SHAF OTR              | 1   |         |
| 4        | J10-13175-00-00 | SHAFT, WORM                      | 1   |         |
| 5        | J10-13188-00-00 | GEAR, DRIVE                      | 1   |         |
| 6        | 93603-22028-00  | PIN, DOWEL                       | 1   |         |
| 7        | 90206-11016-00  | WASHER, WAVE                     | 1   |         |
| 8        | 137-13148-00-00 | PLATE, CAM THRUST                | 1   |         |
| 9        | 99009-10400-00  | CIRCLIP                          | 1   |         |
| 10       | J10-15466-00-00 | GASKET 2                         | 1   |         |
| 11       | J10-15426-00-00 | COVER, OIL PUMP R                | 1   |         |
| 12       | 93112-53004-00  | OIL SEAL, SR-TYPE                | 1   |         |
| 13       | 91810-18025-00  | PIN, DOWEL                       | 2   |         |
| 14       | 98580-06018-00  | SCREW, PAN HEAD (N15)            | 1   |         |
| 15       | 98580-06012-00  | SCREW, PAN HEAD (92501-06012-00) | 1   |         |
| 16       | 97313-08035-00  | BOLT, HEXAGON                    | 1   |         |
| 17       | 92990-08100-00  | WASHER, PLAIN                    | 1   |         |
| 18       | 92990-08600-00  | WASHER, PLATE                    | 1   |         |
| 19       | 95811-06035-00  | BOLT, FLANGE                     | 2   |         |
| 20       | 97021-06030-00  | BOLT                             | 1   |         |
| 21       | 92995-06100-00  | WASHER, SPRING (92990-06100-00)  | 1   |         |
| 22       | 92990-06600-00  | WASHER, PLATE                    |     |         |

J24100-3050

# AIR FILTER

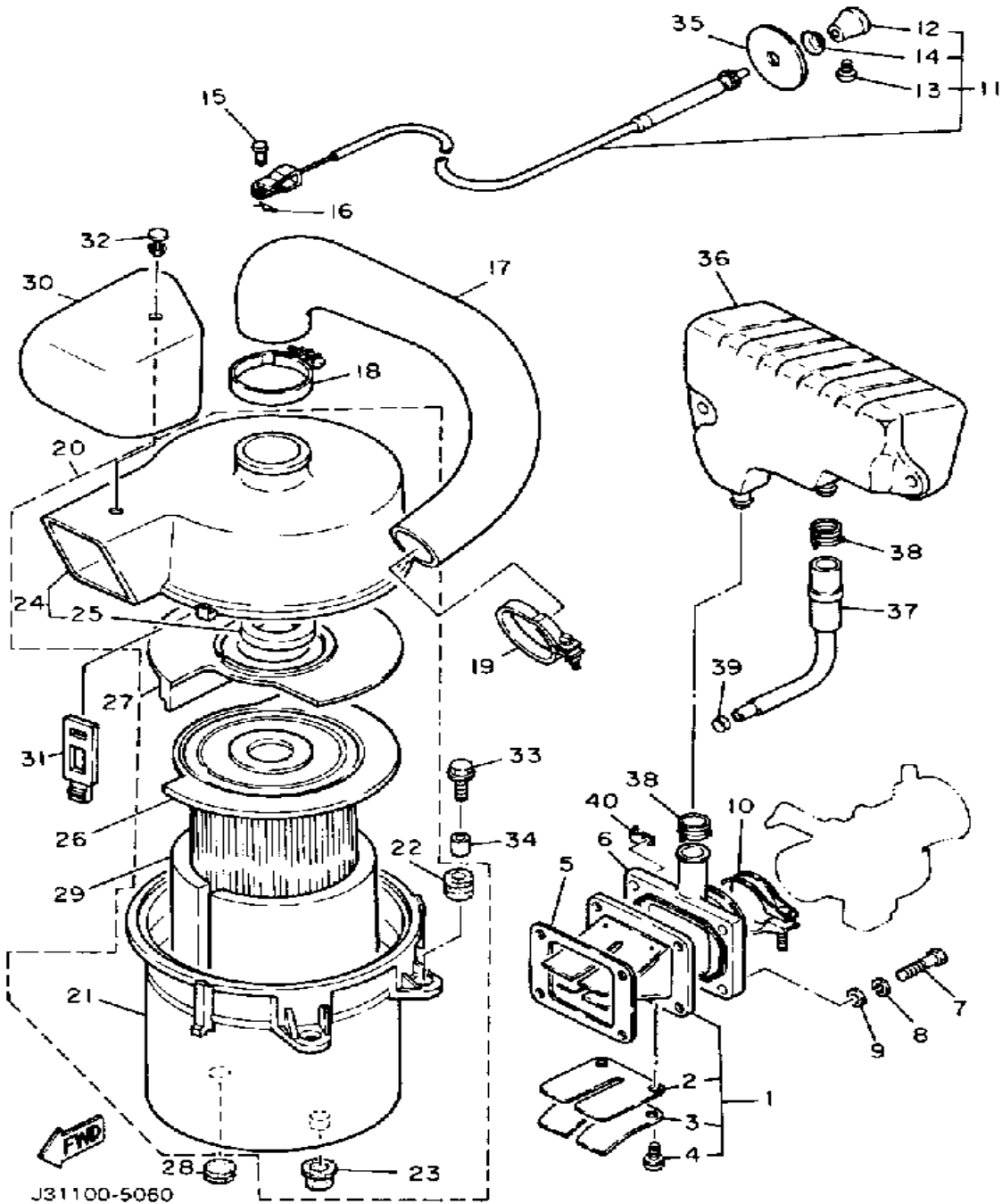


| Ref. No. | Part Number     | Description                             | Qty | Remarks |
|----------|-----------------|---|-----|---------|
| 1        | 10V-13610-01-00 | REED VALVE ASSEMBLY                     | 1   |         |
| 2        | 10V-13613-01-00 | . REED, VALVE                           | 2   |         |
| 3        | 1UA-13616-00-00 | . STOPPER REED VALVE                    | 2   |         |
| 4        | 98580-03008-00  | . SCREW, PAN HEAD (98501-03008-00)      | 4   |         |
| 5        | 3TT-13621-00-00 | GASKET, VALVE SEAT (311-13621-01)       | 1   |         |
| 6        | J24-13586-00-00 | JOINT, CARBURETOR 1                     | 1   |         |
| 7        | 97021-06030-00  | BOLT                                    | 4   |         |
| 8        | 92995-06100-00  | WASHER, SPRING (92990-06100-00)         | 4   |         |
| 9        | 92990-06600-00  | WASHER, PLATE                           | 4   |         |
| 10       | 90460-41191-00  | CLAMP, HOSE (90460-41146)               | 1   |         |
| 11       | J10-26331-02-00 | CABLE, STARTER 1                        | 1   |         |
| 12       | J10-26325-00-00 | . KNOB, STARTER                         | 1   |         |
| 13       | 90149-03132-00  | . SCREW, SPECIAL SHAPE                  | 1   |         |
| 14       | J17-26339-09-00 | . BOOT                                  | 1   |         |
| 15       | 91701-05010-00  | PIN, CYLINDER. HEAD                     | 1   |         |
| 16       | 90468-10050-00  | CLIP                                    | 1   |         |
| 17       | J10-14453-00-00 | JOINT, AIR CLNR 1                       | 1   |         |
| 18       | 1HX-13575-00-00 | BAND                                    | 1   |         |
| 19       | 90460-53239-00  | CLAMP, HOSE                             | 1   |         |
| 20       | J17-14410-00-00 | AIR CLEANER ASSEMBLY 1                  | 1   |         |
| 21       | J10-14411-01-00 | . CASE, air cleaner 1                   | 1   |         |
| 22       | 90480-13238-00  | . GROMMET                               | 2   |         |
| 23       | 90480-14239-00  | . GROMMET                               | 2   |         |
| 24       | J17-W1443-00-00 | . CAP, cleaner case 1 (J17-14412-01-00) | 1   |         |
| 25       | J10-14416-00-00 | . GASKET, AIR CLEANER                   | 1   |         |
| 26       | J10-14450-10-00 | ELEMENT ASS'Y, air cleaner              | 1   |         |

CONTINUED ON NEXT FRAME ►



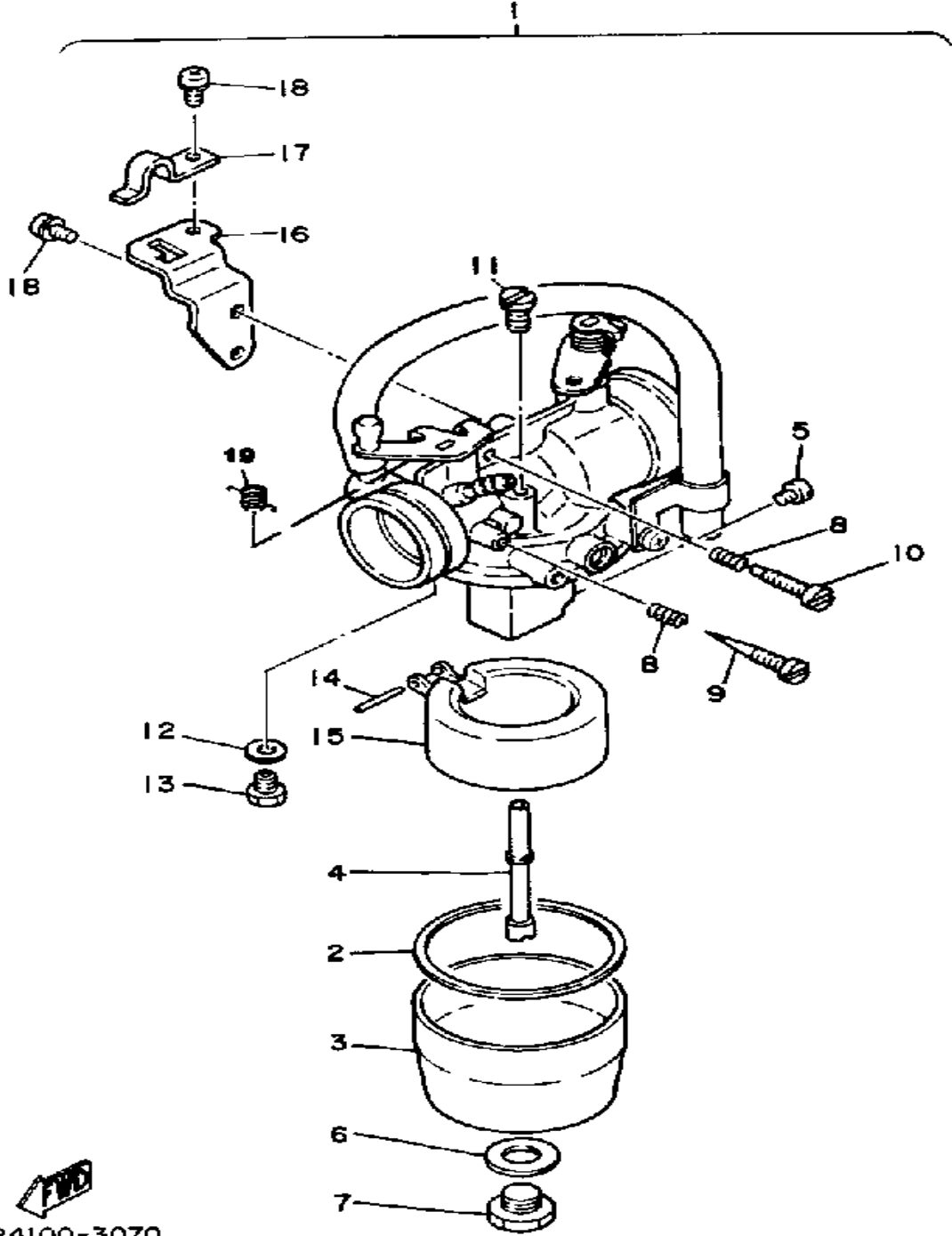
# AIR FILTER



| Ref. No. | Part Number     | Description                        | Qty | Remarks |
|----------|-----------------|------------------------------------|-----|---------|
| 27       | J10-1441F-00-00 | PARTN, AIR CLNR CSAIR CLEANER CASE | 1   |         |
| 28       | 90480-14100-00  | GROMMET                            | 1   |         |
| 29       | J10-14417-00-00 | COVER 1                            | 1   |         |
| 30       | J17-12644-00-00 | DEFLECTOR 3                        | 1   |         |
| 31       | J10-14436-00-00 | HOOK                               | 3   |         |
| 32       | 90269-65032-00  | RIVET, SPEC'L SHAPE                | 1   |         |
| 33       | 90119-06097-00  | BOLT, WITH WASHER                  | 2   |         |
| 34       | 90387-06026-00  | COLLAR                             | 2   |         |
| 35       | 90201-114E6-00  | WASHER, PLATE                      | 1   |         |
| 36       | J24-13581-00-00 | CHAMBER, AIR                       | 1   |         |
| 37       | J24-14388-00-00 | VALVE, VAC CONTROL                 | 1   |         |
| 38       | 90468-08104-00  | CLIP                               | 2   |         |
| 39       | 90468-02025-00  | CLIP                               | 1   |         |
| 40       | 90462-08056-00  | CLAMP                              | 1   |         |

# CARBURETOR

| Ref. No. | Part Number     | Description                              | Qty | Remarks |
|----------|-----------------|--|-----|---------|
| 1        | J24-14101-01-00 | CARBURETOR 1 (J24-14101-00)              | 1   |         |
| 2        | 796-14184-00-00 | . GASKET, FLOAT CHMBR ...                | 1   |         |
| 3        | 796-14181-00-00 | . BODY, FLOAT CHMBR 1 ....               | 1   |         |
| 4        | J17-14141-00-00 | . NOZZLE, MAIN .....                     | 1   |         |
| 5        | 3G2-14231-19-00 | . JET, POWER (# 95) .....                | 1   |         |
| 6        | 732-14237-00-00 | . GASKET .....                           | 1   |         |
| 7        | J10-14244-00-00 | . HOLDER, NOZZLE .....                   | 1   |         |
| 8        | 620-14212-00-00 | . SPRING, PILOT ADJUSTING .              | 2   |         |
| 9        | 620-14211-00-00 | . SPRING, PILOT ADJUSTING .              | 1   |         |
| 10       | J10-14122-00-00 | . SCREW, THROTTLE .....                  | 1   |         |
| 11       | 620-14142-32-00 | . JET, PILOT # 2 .....                   | 1   |         |
|          | 620-1414J-15-00 | . JET, PILOT .....                       | 1   |         |
| 12       | 127-14195-00-00 | . WASHER, NEEDLE VALVE ..                | 1   |         |
| 13       | 353-14190-10-00 | . NEEDLE VALVE ASSEMBLY .                | 1   |         |
| 14       | 796-14186-00-00 | . PIN, FLOAT CHAMBER .....               | 1   |         |
| 15       | 796-14185-00-00 | . FLOAT .....                            | 1   |         |
| 16       | J10-14581-00-00 | . BRACKET .....                          | 1   |         |
| 17       | J10-14243-00-00 | . PLATE .....                            | 1   |         |
| 18       | 98580-03008-00  | . SCREW, PAN HEAD (98501-03008-00) ..... | 2   |         |
| 19       | 256-14944-17-00 | JET, MAIN 5 .....                        |     |         |
|          | 3G2-14231-18-00 | JET, MAIN ( 90) .....                    |     |         |
|          | 3G2-1423A-70-00 | JET, MAIN 97 5 .....                     |     |         |
|          | 620-14142-08-00 | JET, PILOT # 0 .....                     |     |         |
|          | 620-14142-30-00 | JET, PILOT # 0 .....                     |     |         |
|          | 620-14142-32-00 | JET, PILOT # 2 .....                     |     |         |
|          | 620-14142-35-00 | JET, PILOT # 5 .....                     |     |         |
|          | 620-14142-37-00 | JET, PILOT #37 5 .....                   |     |         |
|          | 620-14142-42-00 | JET, PILOT #42 5 .....                   |     |         |



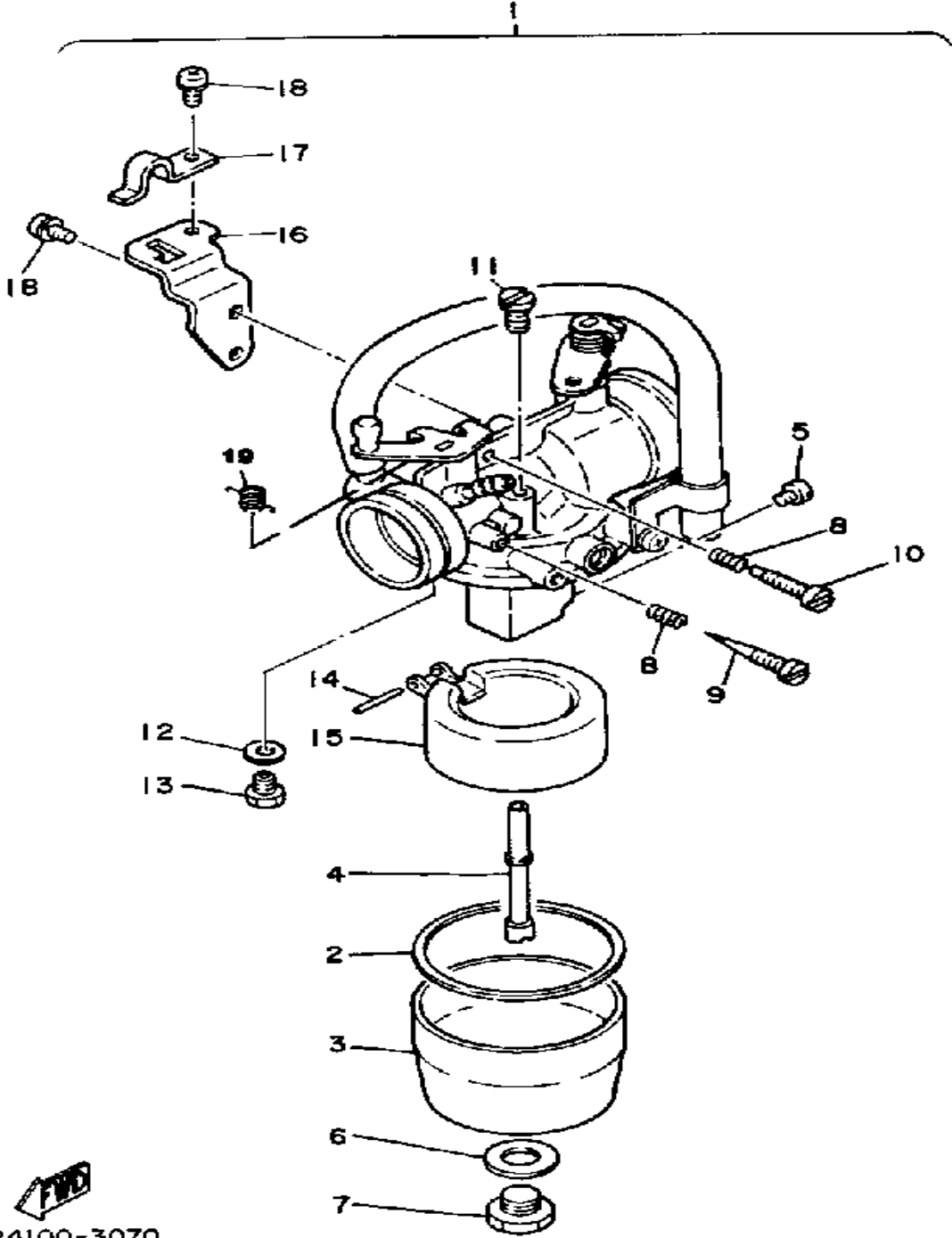
**FWD**  
J24100-3070

CONTINUED ON NEXT FRAME ►

# CARBURETOR

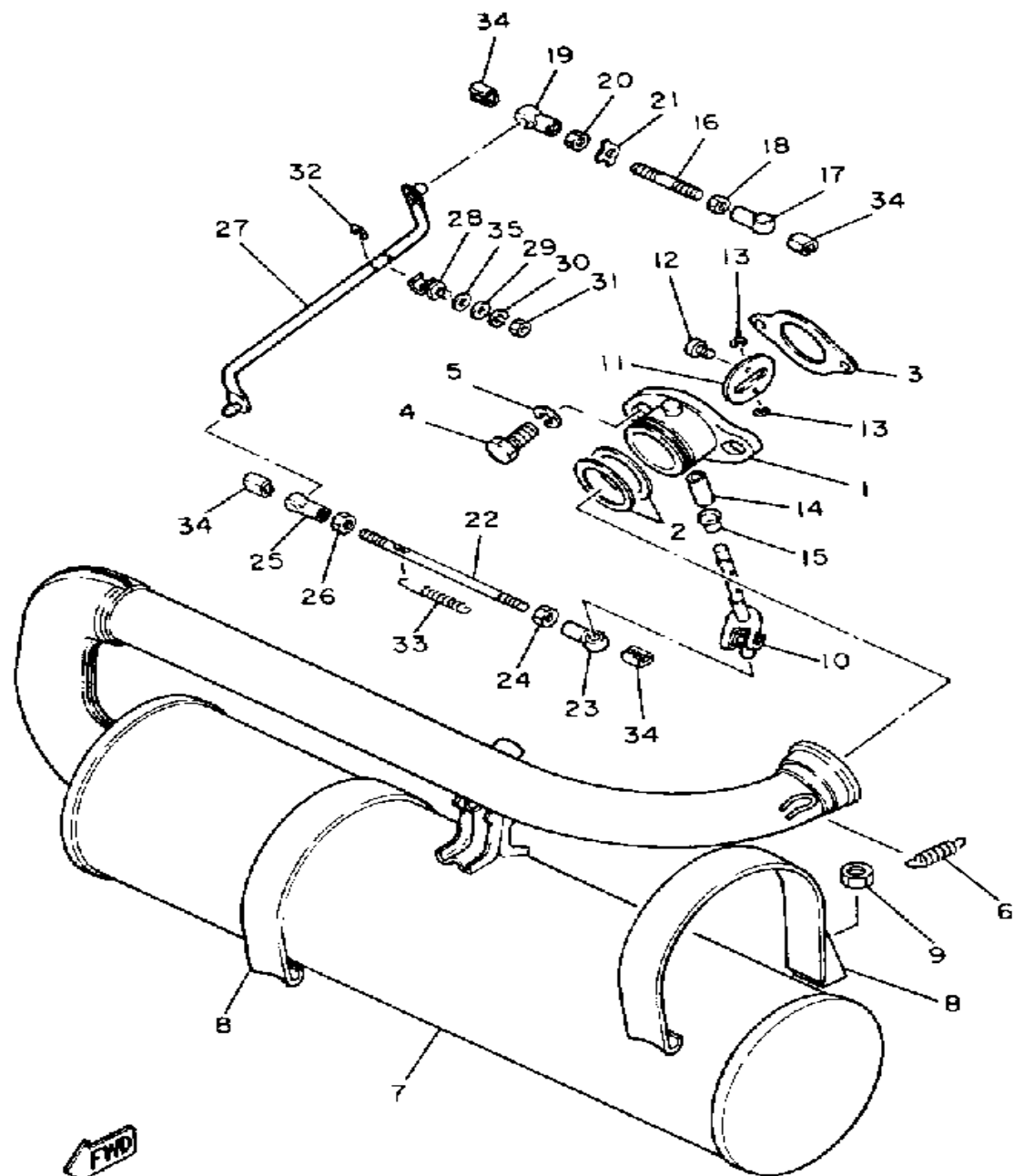
| Ref. No. | Part Number | Description | Qty | Remarks |
|----------|-------------|-------------|-----|---------|
|----------|-------------|-------------|-----|---------|

|    |                 |                              |   |  |
|----|-----------------|------------------------------|---|--|
| 19 | J10-14131-00-00 | . SPRING, THROTTLE . . . . . | 1 |  |
|    | J24-14202-09-00 | THROTTLE SHAFT ASSEMBLY      |   |  |



 J24100-3070

# EXHAUST

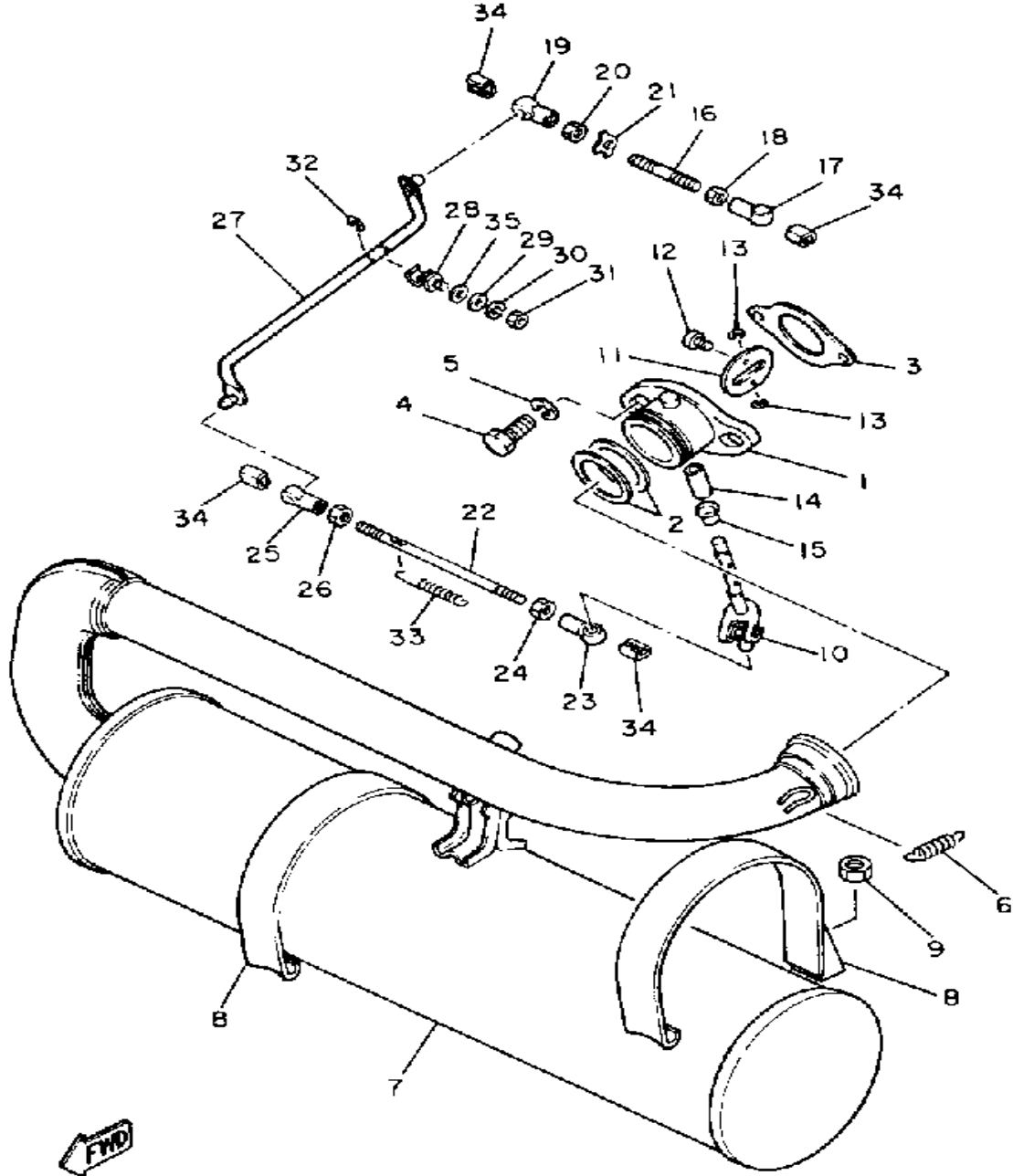


J31100-5080

| Ref. No. | Part Number     | Description                               | Qty | Remarks |
|----------|-----------------|---|-----|---------|
| 1        | J24-14612-00-00 | NUT, RING .....                           | 1   |         |
| 2        | 888-14633-00-00 | RING .....                                | 2   |         |
| 3        | J10-14613-00-00 | GASKET, EXST PIPE .....                   | 1   |         |
| 4        | 97013-08025-00  | BOLT .....                                | 2   |         |
| 5        | 92990-08100-00  | WASHER, PLAIN .....                       | 2   |         |
| 6        | 90506-20074-00  | SPRING, TENSION .....                     | 2   |         |
| 7        | J24-14610-00-00 | EXHAUST PIPE ASSEMBLY L .                 | 1   |         |
| 8        | J10-14715-01-00 | BAND, MUFFLER .....                       | 2   |         |
| 9        | 95611-08100-00  | NUT, U .....                              | 2   |         |
| 10       | J10-14813-01-00 | SHAFT, BUTTERFLY .....                    | 1   |         |
| 11       | J10-14812-02-00 | VALVE, BUTTERFLY .....                    | 1   |         |
| 12       | 98580-03008-00  | SCREW, PAN HEAD<br>(98501-03008-00) ..... | 2   |         |
| 13       | 99080-05600-00  | CIRCLIP (93430-05027-00) ....             | 2   |         |
| 14       | J10-14815-00-00 | GASKET .....                              | 1   |         |
| 15       | J10-14818-00-00 | COVER, GASKET .....                       | 1   |         |
| 16       | J10-14836-00-00 | ROD .....                                 | 1   |         |
| 17       | J10-14833-01-00 | JOINT .....                               | 1   |         |
| 18       | 95311-05700-00  | NUT .....                                 | 1   |         |
| 19       | J10-14864-01-00 | JOINT .....                               | 1   |         |
| 20       | 90170-05190-00  | NUT, HEXAGON .....                        | 1   |         |
| 21       | J24-14842-00-00 | PLATE, CON ROD .....                      | 1   |         |
| 22       | J10-14837-00-00 | CONNECTOR, ROD .....                      | 1   |         |
| 23       | J10-14833-01-00 | JOINT .....                               | 1   |         |
| 24       | 95311-05700-00  | NUT .....                                 | 1   |         |
| 25       | J10-14864-01-00 | JOINT .....                               | 1   |         |
| 26       | 90170-05190-00  | NUT, HEXAGON .....                        | 1   |         |
| 27       | J10-14802-00-00 | CONNECTER COMP .....                      | 1   |         |
| 28       | 90464-07034-00  | CLAMP .....                               | 2   |         |

CONTINUED ON NEXT FRAME ►

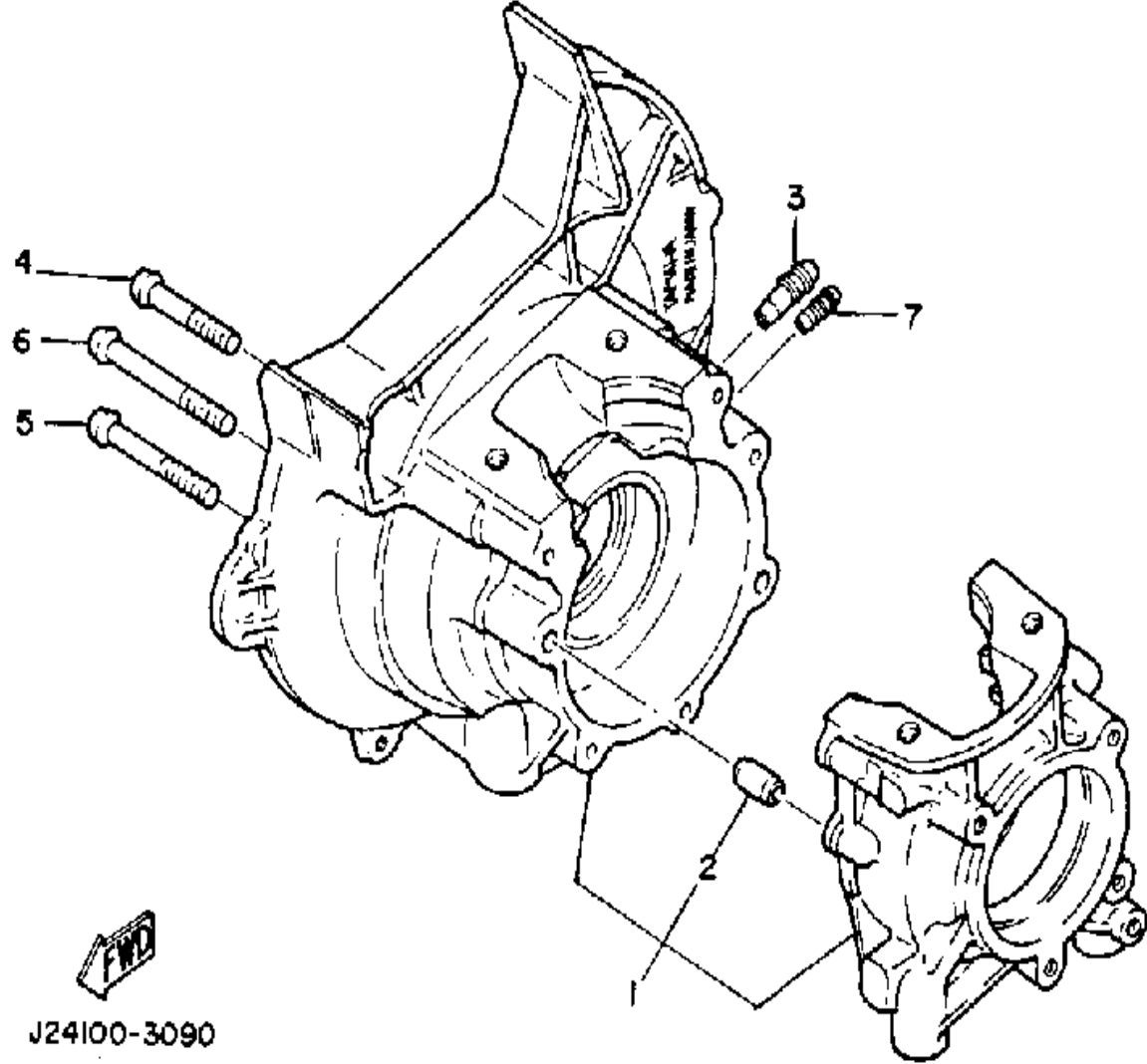
# EXHAUST



| Ref. No. | Part Number     | Description           | Qty | Remarks |
|----------|-----------------|-----------------------|-----|---------|
| 29       | 92901-05600-00  | WASHER, PLATE .....   | 2   |         |
| 30       | 92990-05100-00  | WASHER, SPRING .....  | 2   |         |
| 31       | 95380-05600-00  | NUT .....             | 2   |         |
| 32       | 99009-06600-00  | CIRCLIP .....         | 2   |         |
| 33       | 90506-06201-00  | SPRING, TENSION ..... | 1   |         |
| 34       | J24-14846-00-00 | BOOT, ACTUATOR .....  | 4   |         |
| 35       | 92990-05200-00  | WASHER, PLAIN .....   | 2   |         |

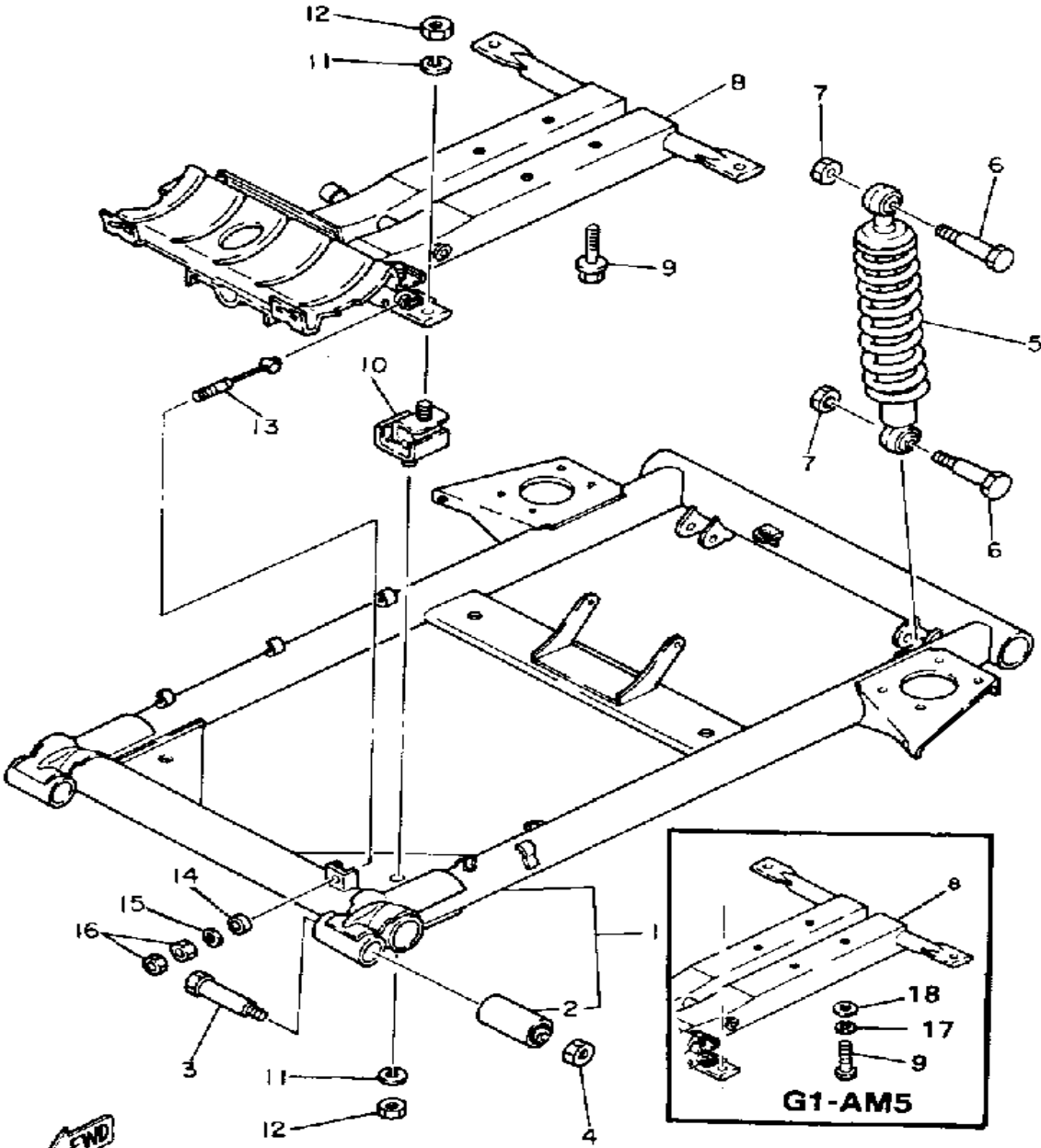
  
J31100-5080

# CRANKCASE



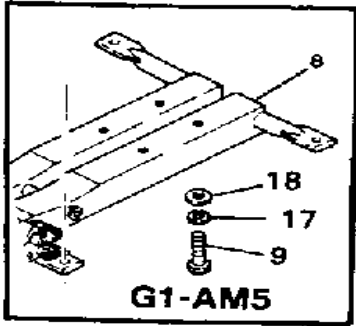
| Ref. No. | Part Number     | Description        | Qty | Remarks |
|----------|-----------------|--------------------|-----|---------|
| 1        | J24-15100-00-00 | CRANKCASE ASSEMBLY | 1   |         |
| 2        | 99530-10014-00  | . PIN, DOWEL       | 2   |         |
| 3        | J38-11116-00-00 | JOINT, BREATHER    | 1   |         |
| 4        | 98580-06545-00  | SCREW PAN HEAD     | 5   |         |
| 5        | 90157-06072-00  | SCREW, PAN HEAD    | 1   |         |
| 6        | 98580-06565-00  | SCREW, PAN HEAD    | 1   |         |
| 7        | 18A-15138-00-00 | NOZZLE 1           | 1   |         |

# REAR SHOCKS

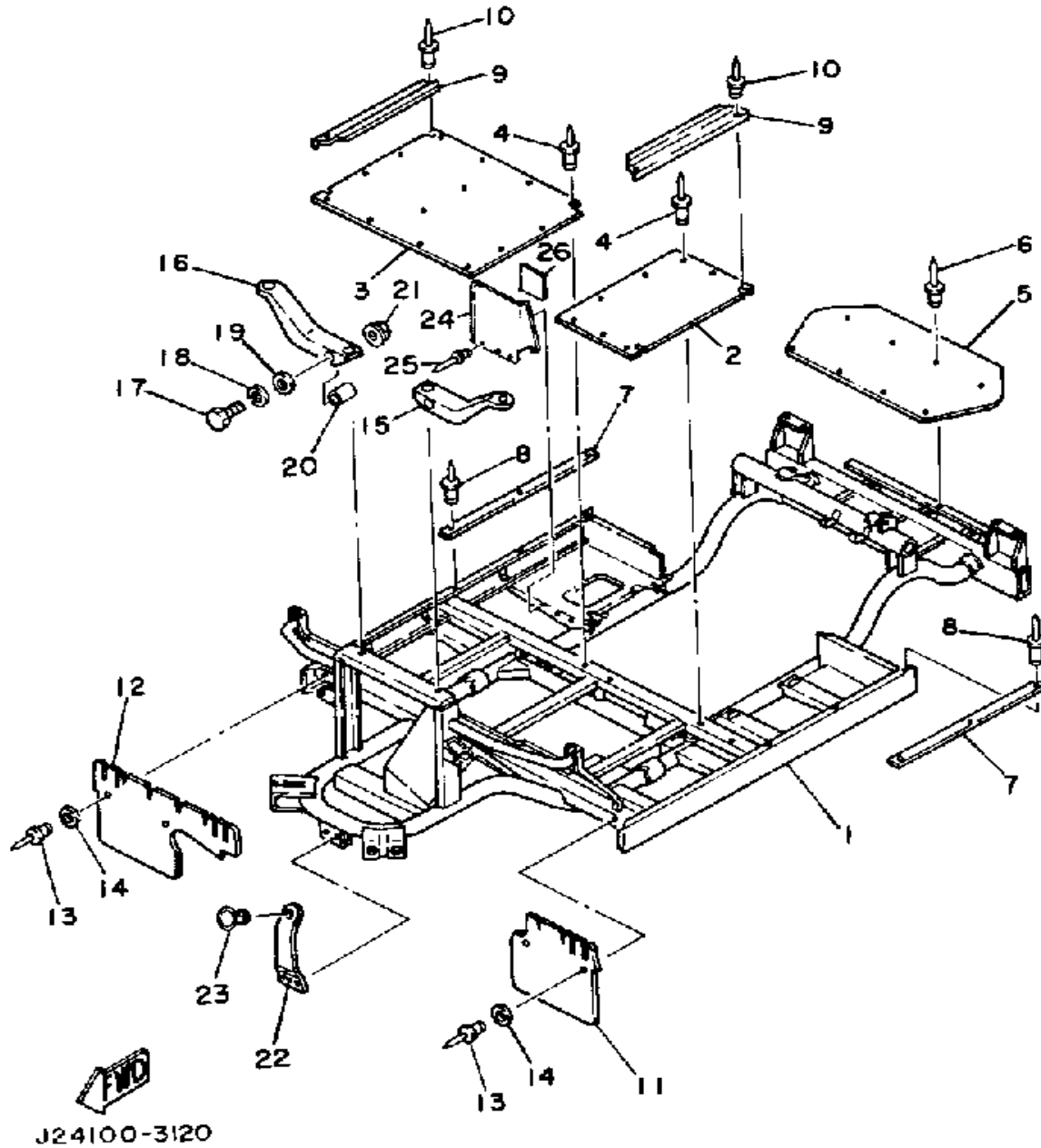


| Ref. No. | Part Number     | Description                       | Qty | Remarks |
|----------|-----------------|-----------------------------------|-----|---------|
| 1        | J17-W2211-00-00 | REAR ARM                          | 1   |         |
| 2        | J10-22123-00-00 | . BUSH 1                          | 2   |         |
| 3        | 90101-10419-00  | BOLT                              | 2   |         |
| 4        | 95612-10100-00  | NUT, BIND                         | 2   |         |
| 5        | J10-22210-00-00 | SHK/ABS ASSEMBLY, REARASS"Y, REAR | 2   |         |
| 6        | 97313-10050-00  | BOLT, HEXAGON (676)               | 4   |         |
| 7        | 95601-10100-00  | NUT, U (95602-10100-00)           | 4   |         |
| 8        | J17-21411-00-00 | BRACKET, ENGINE 1                 | 1   |         |
| 9        | 90106-10034-00  | BOLT, DOME HEAD                   | 4   |         |
|          | 95822-10025-00  | BOLT, FLANGE                      | 4   |         |
| 10       | J10-21486-00-00 | DAMPER 2                          | 4   |         |
| 11       | 92990-10100-00  | WASHER, SPRING                    | 8   |         |
| 12       | 95303-10700-00  | NUT                               | 8   |         |
| 13       | J31-2217J-01-00 | TENSIONER 1                       | 1   |         |
| 14       | J17-2214F-00-00 | DAMPER 1                          | 1   |         |
| 15       | 90201-06778-00  | WASHER, PLATE                     | 1   |         |
| 16       | 95380-06600-00  | NUT (95303-06600)                 | 2   |         |
| 17       | 92990-10100-00  | WASHER, SPRING                    | 4   |         |
| 18       | 90201-10131-00  | WASHER, PLATE                     | 4   |         |

J31100-6110



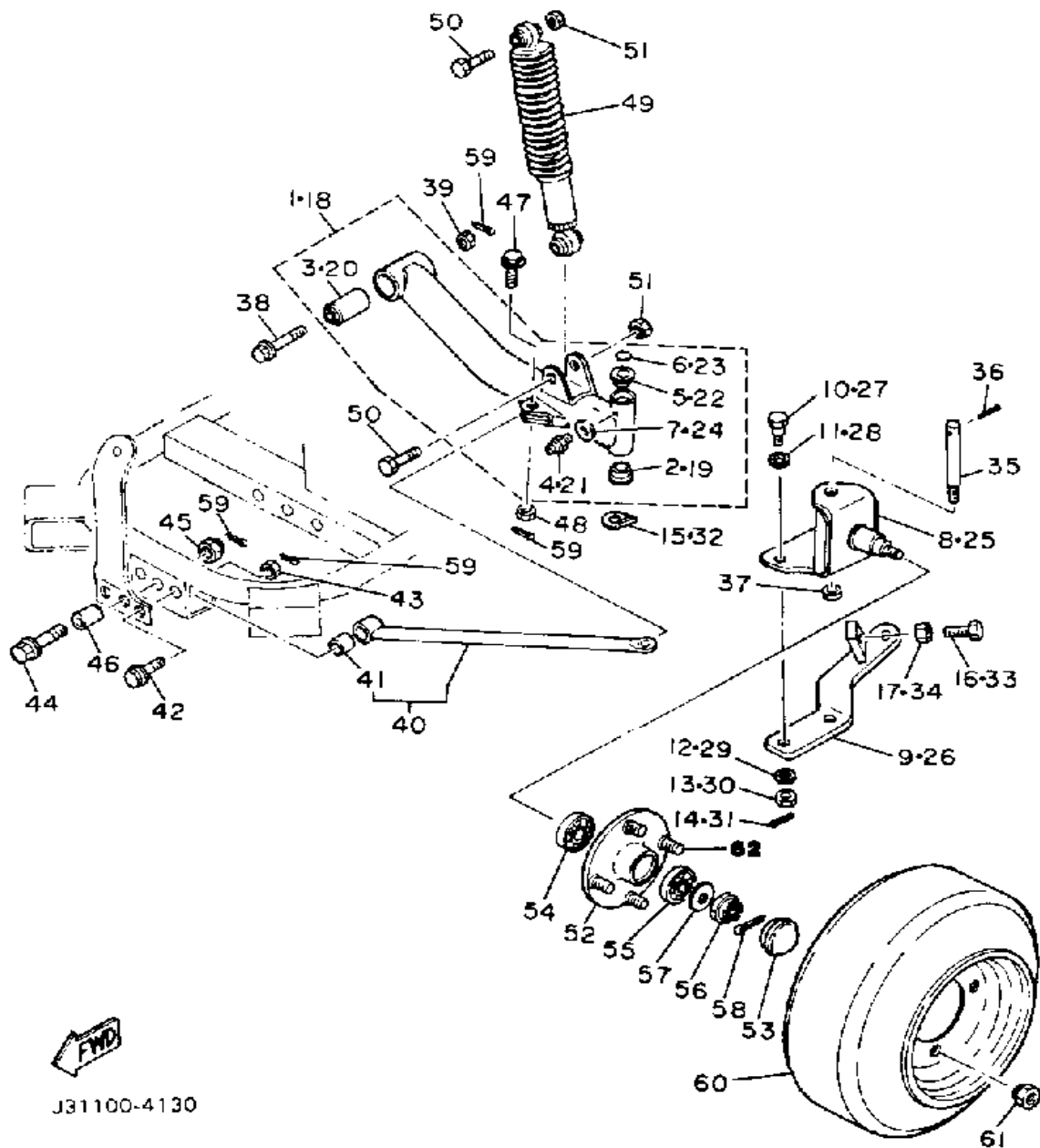
# FRAME



| Ref. No. | Part Number     | Description                  | Qty | Remarks |
|----------|-----------------|------------------------------|-----|---------|
| 1        | J17-22501-00-00 | FRAME .....                  | 1   |         |
| 2        | J42-22571-00-00 | PANEL 1 .....                | 1   |         |
| 3        | J42-22572-00-00 | PANEL 2 .....                | 1   |         |
| 4        | 90267-40054-00  | RIVET, BLIND .....           | 20  |         |
| 5        | J17-22573-00-00 | PANEL 3 .....                | 1   |         |
| 6        | 90267-40076-00  | RIVET, BLIND .....           | 8   |         |
| 7        | J17-78249-00-00 | TRIM, FLOOR .....            | 2   |         |
| 8        | 90267-40122-00  | RIVET, BLIND .....           | 6   |         |
| 9        | J17-78181-00-00 | PLATE 1 .....                | 2   |         |
| 10       | 90267-48086-00  | RIVET, BLIND .....           | 4   |         |
| 11       | J17-78187-00-00 | FLAP, FRONT FENDER .....     | 1   |         |
| 12       | J17-78189-00-00 | FLAP, FRONT RIGHT .....      | 1   |         |
| 13       | 90267-40075-00  | RIVET, BLIND .....           | 5   |         |
| 14       | 90201-05034-00  | WASHER, PLATE .....          | 5   |         |
| 15       | J17-22567-00-00 | SUPPORT 1 .....              | 1   |         |
| 16       | J17-22568-00-00 | SUPPORT 2 .....              | 1   |         |
| 17       | 97021-08065-00  | BOLT .....                   | 2   |         |
| 18       | 92990-08100-00  | WASHER, PLAIN .....          | 2   |         |
| 19       | 92990-08600-00  | WASHER, PLATE .....          | 2   |         |
| 20       | 90387-090G6-00  | COLLAR .....                 | 2   |         |
| 21       | 95701-08500-00  | NUT, FLANGE (95702-08500) .. | 2   |         |
| 22       | J17-2258E-00-00 | SUPPORT, COWL .....          | 1   |         |
| 23       | J11-77279-01-00 | DAMPER, NOISE 9 .....        | 1   |         |
| 24       | J24-2255V-00-00 | PLATE, BATT COVER .....      | 1   |         |
| 25       | 90-26732-06-30  | UNAVAILABLE IN PRICE BOOK    | 4   |         |
| 26       | J24-2255Y-00-00 | PAD, BATT COVER .....        | 1   |         |



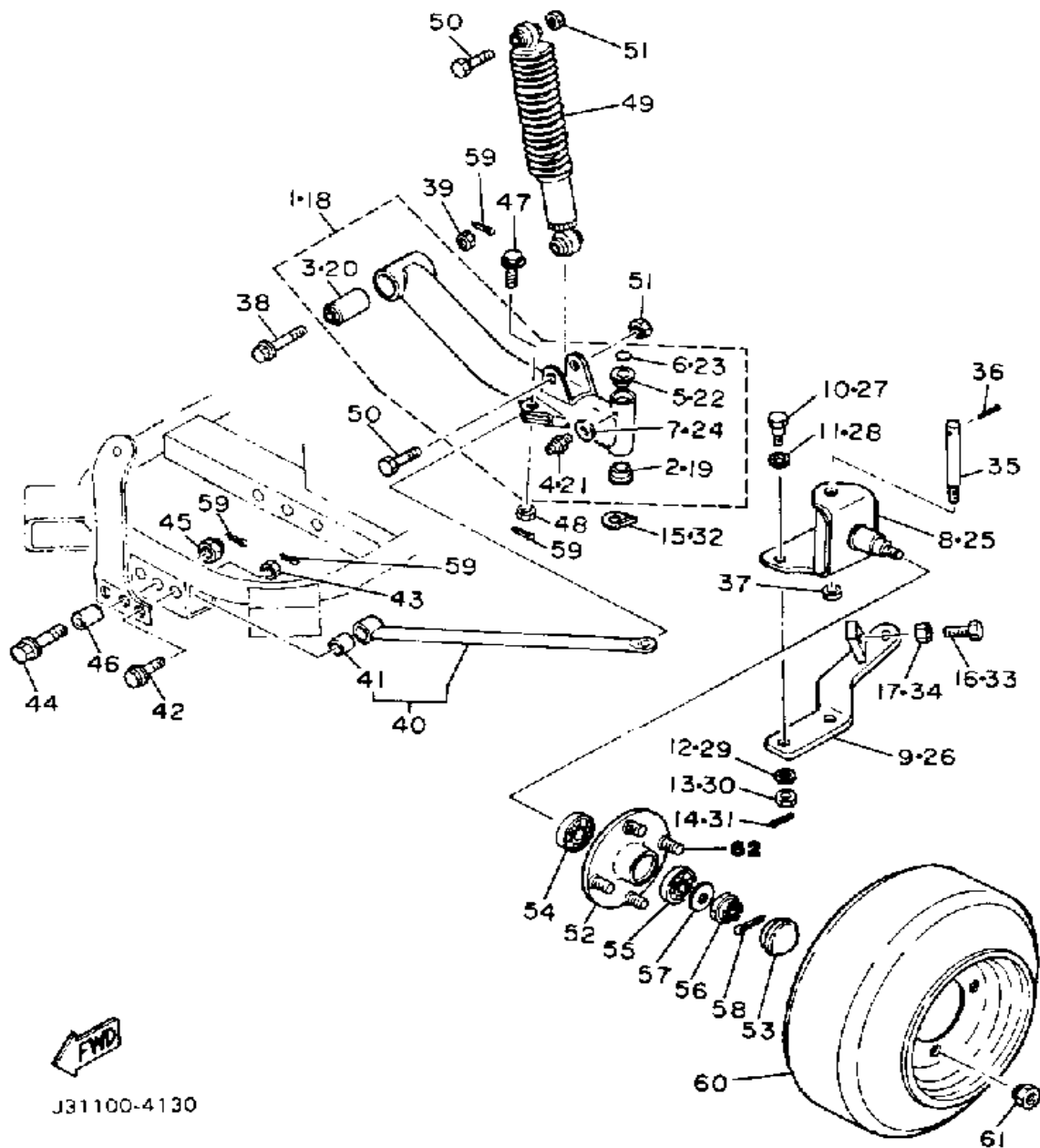
# FRONT SUSPENSION - WHEEL



| Ref. No. | Part Number     | Description                   | Qty | Remarks |
|----------|-----------------|-------------------------------|-----|---------|
| 1        | J42-W2351-00-00 | FRONT LOWER ARM LHCOMP. (L.H) | 1   |         |
| 2        | 90381-15032-00  | . BUSH, SOLID                 | 1   |         |
| 3        | J10-23526-00-00 | . BUSH                        | 1   |         |
| 4        | 93700-06M03-00  | . NIPPLE, GREASE              | 1   |         |
| 5        | 90381-15040-00  | . BUSH, SOLID                 | 1   |         |
| 6        | 93210-15566-00  | . O-RING                      | 1   |         |
| 7        | 90201-067F9-00  | . WASHER, PLATE               | 1   |         |
| 8        | J17-23510-00-00 | KNUCKLE, STEERING 1           | 1   |         |
| 9        | J11-23512-00-00 | ARM, KNUCKLE 1                | 1   |         |
| 10       | 90109-10643-00  | BOLT                          | 2   |         |
| 11       | 90201-121F0-00  | WASHER, PLATE                 | 2   |         |
| 12       | 90201-105F2-00  | WASHER, PLATE                 | 2   |         |
| 13       | 90171-10035-00  | NUT, CASTLE                   | 2   |         |
| 14       | 91490-25030-00  | PIN, COTTER                   | 2   |         |
| 15       | 90214-16027-00  | WASHER, CLAW                  | 1   |         |
| 16       | 97313-08030-00  | BOLT, HEXAGON                 | 1   |         |
| 17       | 95303-08700-00  | NUT                           | 1   |         |
| 18       | J42-W2352-00-00 | FRONT LOWER ARM RHCOMP (R.H)  | 1   |         |
| 19       | 90381-15032-00  | . BUSH, SOLID                 | 1   |         |
| 20       | J10-23526-00-00 | . BUSH                        | 1   |         |
| 21       | 93700-06M03-00  | . NIPPLE, GREASE              | 1   |         |
| 22       | 90381-15040-00  | . BUSH, SOLID                 | 1   |         |
| 23       | 93210-15566-00  | . O-RING                      | 1   |         |
| 24       | 90201-067F9-00  | . WASHER, PLATE               | 1   |         |
| 25       | J17-23510-00-00 | KNUCKLE, STEERING 1           | 1   |         |
| 26       | J11-23522-00-00 | ARM, KNUCKLE 2                | 1   |         |
| 27       | 90109-10643-00  | BOLT                          | 2   |         |

CONTINUED ON NEXT FRAME ►

# FRONT SUSPENSION - WHEEL

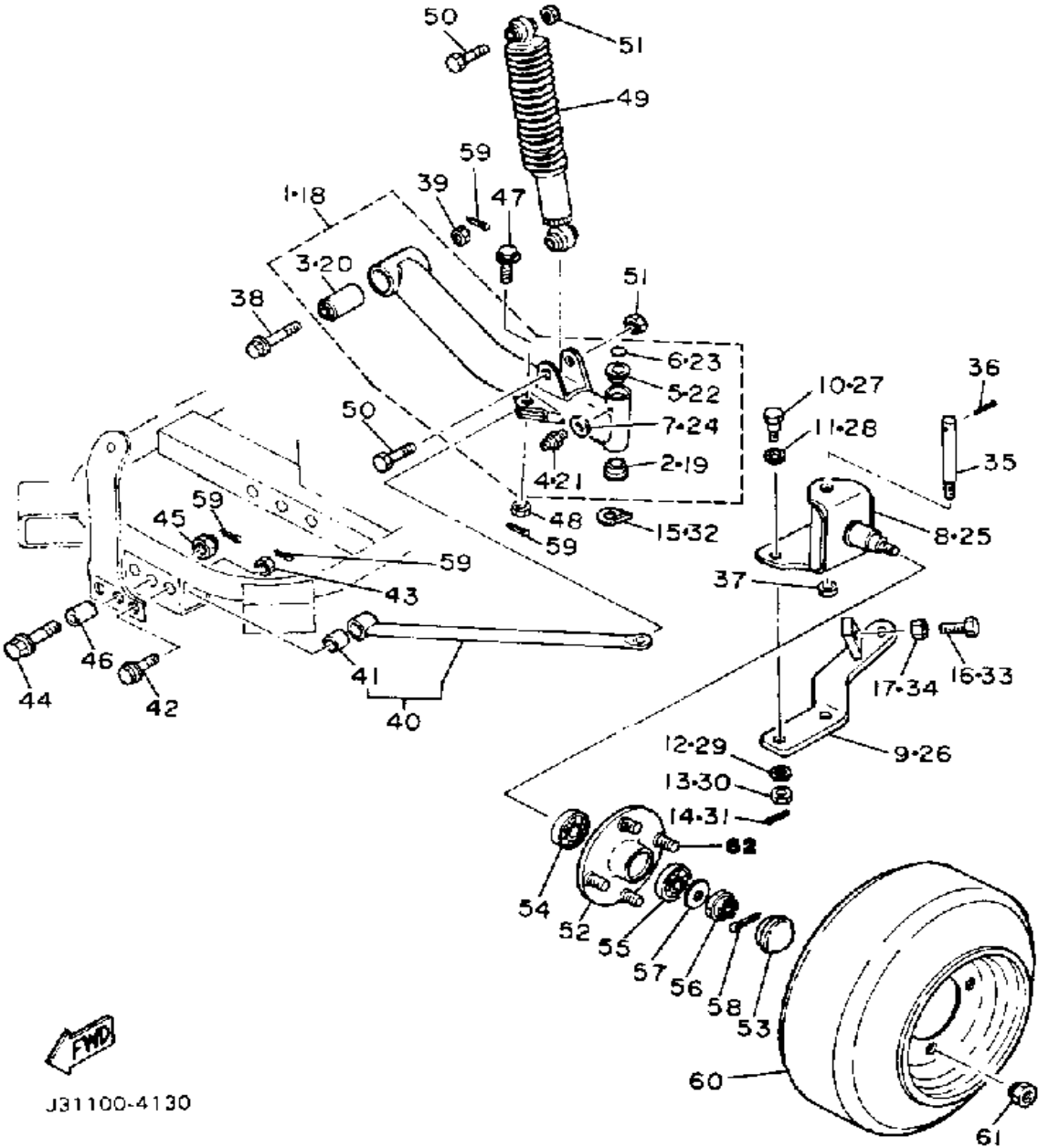


J31100-4130

| Ref. No. | Part Number     | Description                                | Qty | Remarks |
|----------|-----------------|--|-----|---------|
| 28       | 90201-121F0-00  | WASHER, PLATE .....                        | 2   |         |
| 29       | 90201-105F2-00  | WASHER, PLATE .....                        | 2   |         |
| 30       | 90171-10035-00  | NUT, CASTLE .....                          | 2   |         |
| 31       | 91490-25030-00  | PIN, COTTER .....                          | 2   |         |
| 32       | 90214-16027-00  | WASHER, CLAW .....                         | 1   |         |
| 33       | 97313-08030-00  | BOLT, HEXAGON .....                        | 1   |         |
| 34       | 95303-08700-00  | NUT .....                                  | 1   |         |
| 35       | J10-23516-02-00 | KING PIN, STRG KNKL .....                  | 2   |         |
| 36       | 91401-30030-00  | PIN, COTTER (91401-30025-00)               | 2   |         |
| 37       | 95712-12300-00  | 2 .....                                    | 2   |         |
| 38       | 90105-10224-00  | BOLT, WASHER BASED .....                   | 2   |         |
| 39       | 95601-10200-00  | NUT, SELF-LOCKING .....                    | 2   |         |
| 40       | J17-W2355-00-00 | ROD, TENSION .....                         | 2   |         |
| 41       | J10-23583-01-00 | . BUSH .....                               | 1   |         |
| 42       | 90105-08225-00  | BOLT, WASHER BASED .....                   | 2   |         |
| 43       | 95601-08200-00  | NUT, SELF LOCKING .....                    | 2   |         |
| 44       | 90105-12226-00  | BOLT, WASHER BASED .....                   | 1   |         |
|          | 95-81212-05-00  | UNAVAILABLE IN PRICE BOOK                  | 1   |         |
| 45       | 95601-12200-00  | NUT, SELF-LOCKING .....                    | 1   |         |
|          | 95701-12500-00  | NUT, FLANGE .....                          | 1   |         |
| 46       | 90387-137F6-00  | COLLAR .....                               | 1   |         |
| 47       | 90102-12046-00  | BOLT, WITH HOLE .....                      | 2   |         |
| 48       | 95601-12200-00  | NUT, SELF-LOCKING .....                    | 2   |         |
| 49       | J42-23350-00-00 | SHOCK ABSORBER ASSEMBLY (J10-23350-00) ... | 2   |         |
| 50       | 97313-10050-00  | BOLT, HEXAGON (676) .....                  | 4   |         |
| 51       | 95612-10100-00  | NUT, BIND .....                            | 4   |         |
| 52       | J17-W2511-00-00 | HUB, FRONT .....                           | 2   |         |
| 53       | J17-25118-00-00 | COVER, HUB DUST .....                      | 2   |         |

CONTINUED ON NEXT FRAME ►

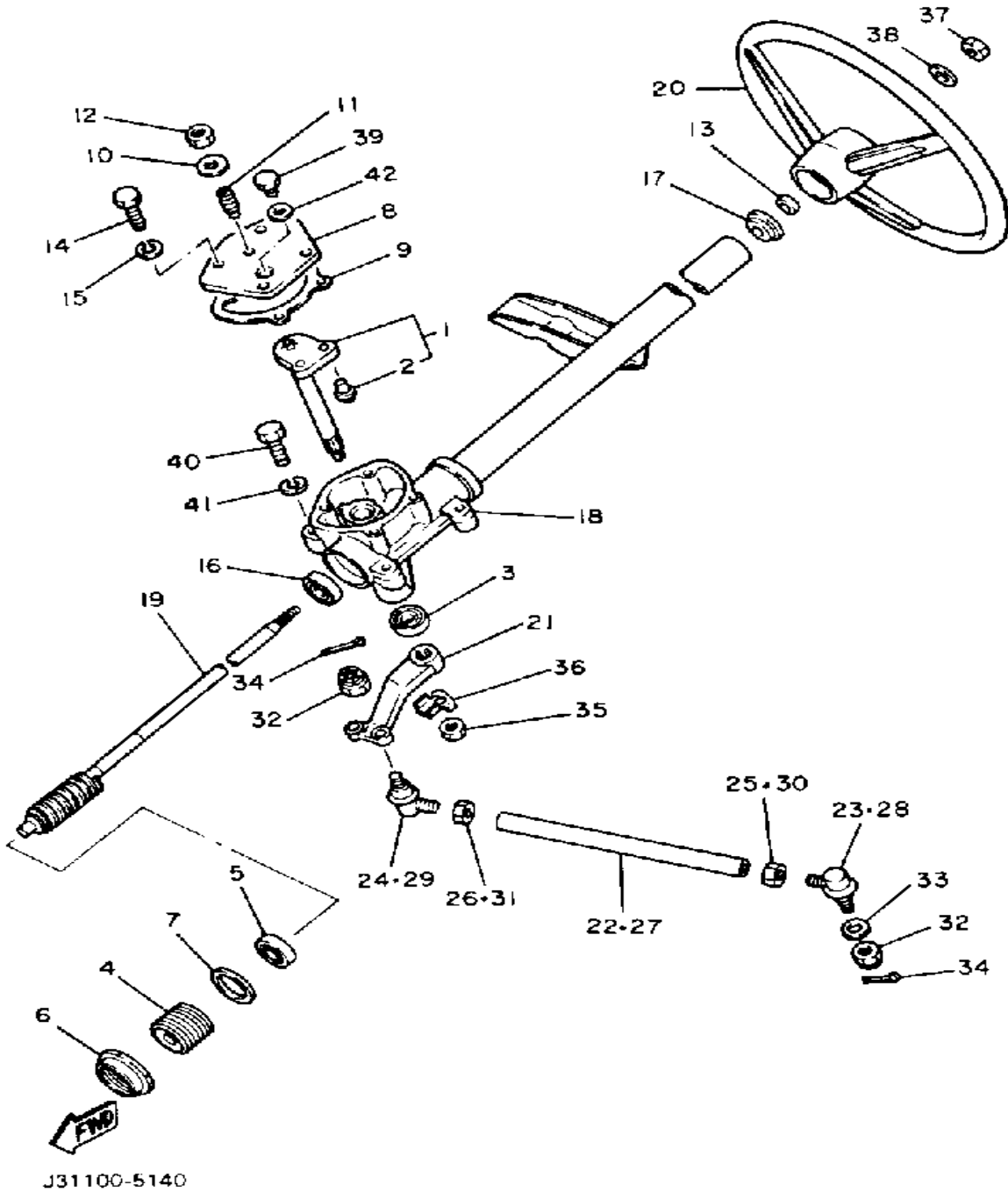
# FRONT SUSPENSION - WHEEL



| Ref. No. | Part Number    | Description                  | Qty | Remarks       |
|----------|----------------|------------------------------|-----|---------------|
| 54       | 93306-00511-00 | BEARING .....                | 2   |               |
| 55       | 93306-20437-00 | BEARING .....                | 2   |               |
| 56       | 95301-14900-00 | NUT, SLOTTED .....           | 2   |               |
| 57       | 90209-14219-00 | WASHER, SPEC'L SHAP ....     | 2   |               |
| 58       | 91401-30030-00 | PIN, COTTER (91401-30025-00) | 2   |               |
| 59       | 91490-25030-00 | PIN, COTTER .....            | 7   |               |
| 60       | *---           | BULB (12V-35/35W) .....      | 2   | LM (SEE NOTE) |
| 61       | 90179-12262-00 | NUT .....                    | 8   |               |
| 62       | 90114-12003-00 | BOLT, RIBBED NECK .....      | 8   |               |

J31100-4130

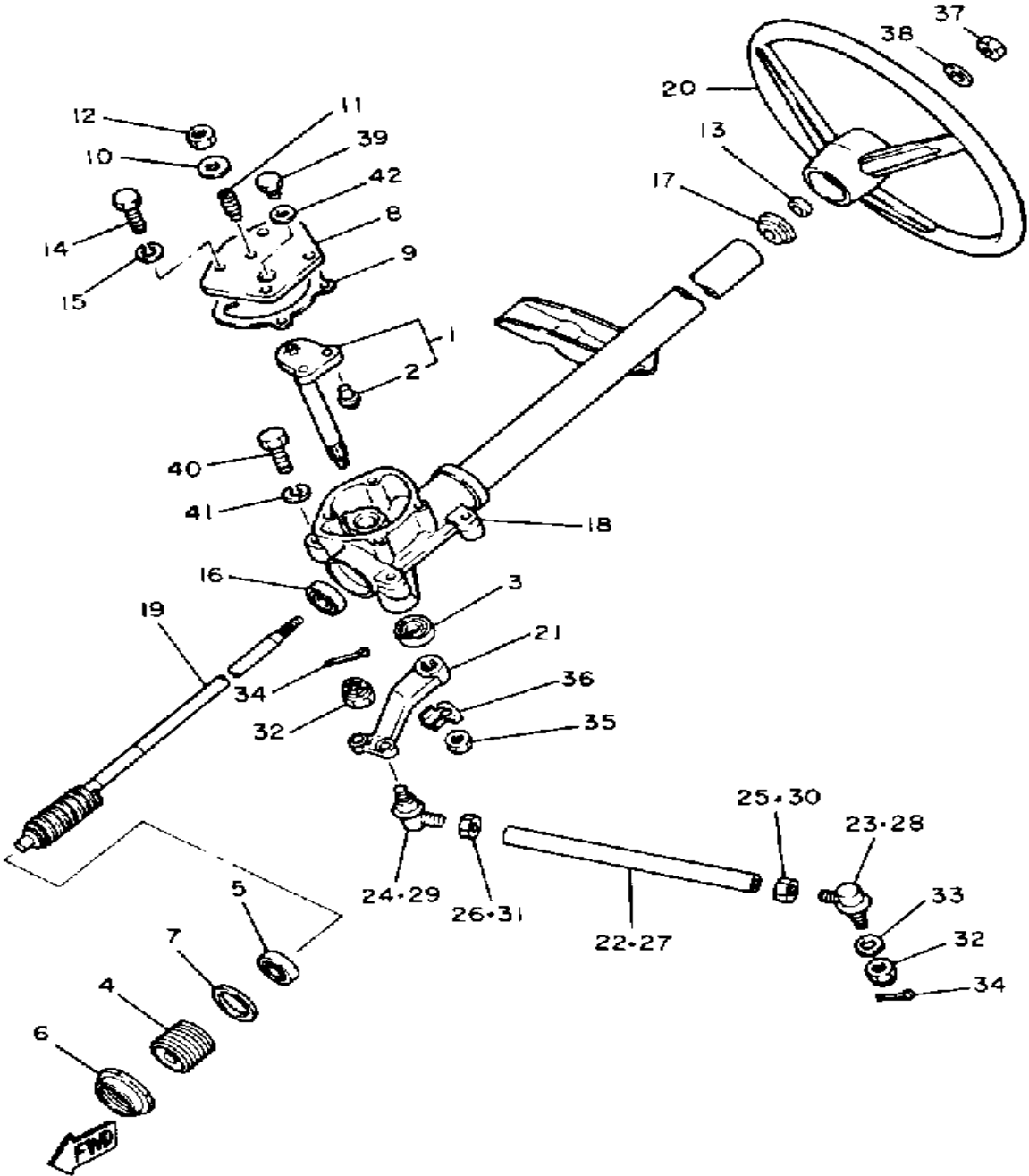
# STEERING



| Ref. No. | Part Number     | Description                    | Qty | Remarks     |
|----------|-----------------|--------------------------------|-----|-------------|
| 1        | J24-23816-01-00 | ARM, PITMAN (J24-23816-00)     | 1   |             |
| 2        | J10-23836-09-00 | . PIN, PITMAN                  | 2   |             |
| 3        | 93102-22087-00  | OIL SEAL                       | 1   |             |
| 4        | J55-F3876-00-00 | BOLT                           | 1   |             |
| 5        | 93332-00010-00  | BEARING                        | 1   |             |
| 6        | J10-23877-00-00 | NUT                            | 1   |             |
| 7        | J10-23444-00-00 | WASHER                         | 1   |             |
| 8        | J10-23818-00-00 | COVER, STEERING                | 1   |             |
| 9        | J10-23462-00-00 | SEAL, STEERING                 | 1   |             |
| 10       | 90201-08087-00  | WASHER, PLATE                  | 1   |             |
| 11       | J10-23459-00-00 | BOLT                           | 1   |             |
| 12       | 90170-08024-00  | NUT, HEX.                      | 1   |             |
| 13       | 93104-15005-00  | OIL SEAL, SO-TYPE              | 1   |             |
| 14       | 97313-08020-00  | BOLT, HEXAGON                  | 4   |             |
| 15       | 92990-08100-00  | WASHER, PLAIN                  | 4   |             |
| 16       | 93332-00010-00  | BEARING                        | 1   |             |
| 17       | J10-23814-00-00 | HOLDER, HANDLE UPR             | 1   |             |
| 18       | J10-23811-01-9E | COLUMN, STEERING               | 1   | IVORY WHITE |
| 19       | J10-23840-00-00 | STEERING SHAFT                 | 1   |             |
| 20       | J55-F3838-00-00 | WHEEL, STEERING (J10-23838-00) | 1   |             |
| 21       | J24-23826-00-00 | ARM, IDLER                     | 1   |             |
| 22       | J10-23831-00-00 | ROD, TIE                       | 1   |             |
| 23       | J10-23841-10-00 | JOINT, UNIVERSAL 1             | 1   |             |
| 24       | J10-23845-10-00 | JOINT, UNIVERSAL 2             | 1   |             |
| 25       | 90170-12054-00  | NUT                            | 1   |             |
| 26       | 90170-12055-00  | NUT                            | 1   |             |
| 27       | J10-23831-00-00 | ROD, TIE                       | 1   |             |
| 28       | J10-23841-10-00 | JOINT, UNIVERSAL 1             | 1   |             |

CONTINUED ON NEXT FRAME ►

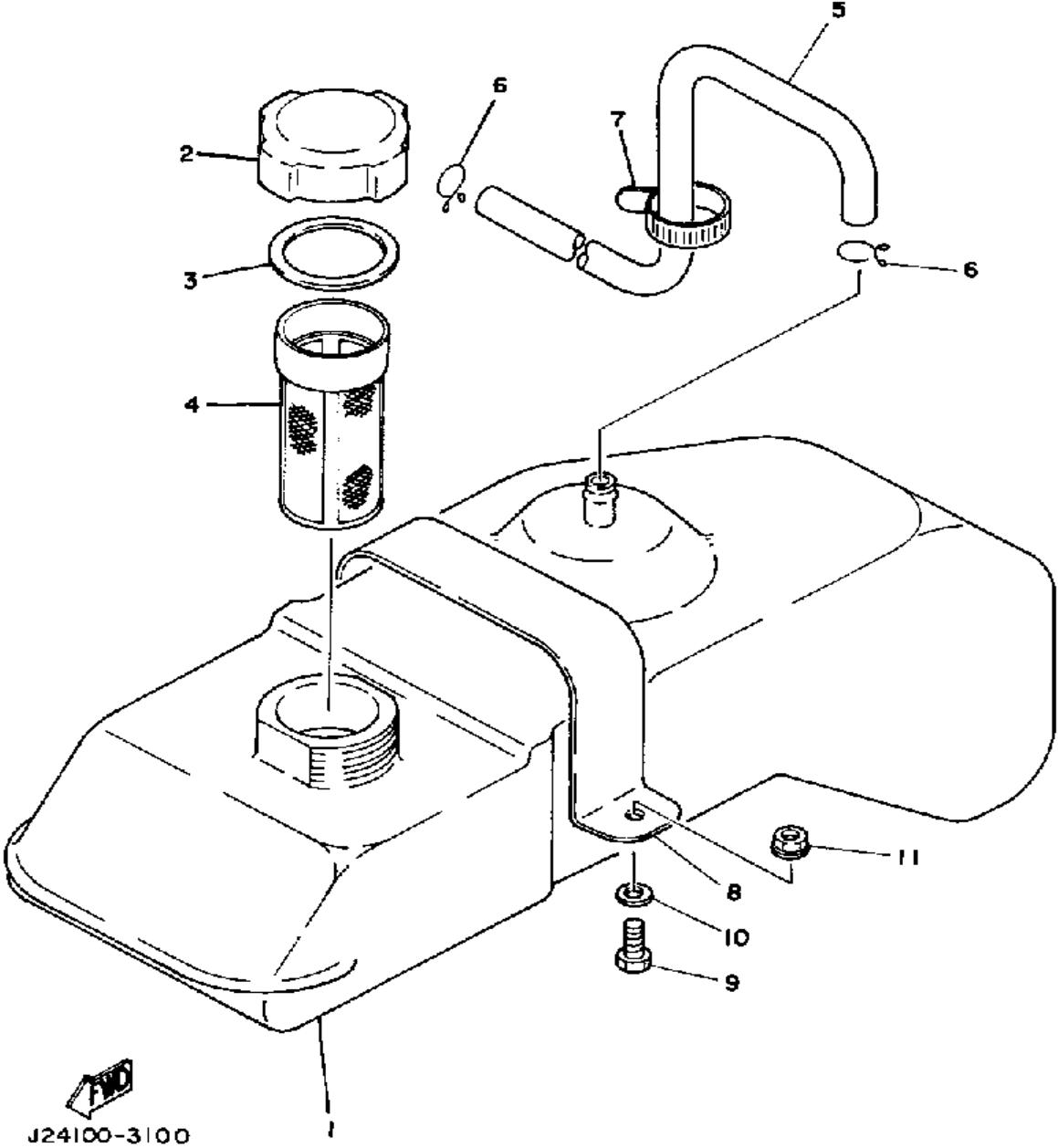
# STEERING



J31100-5140

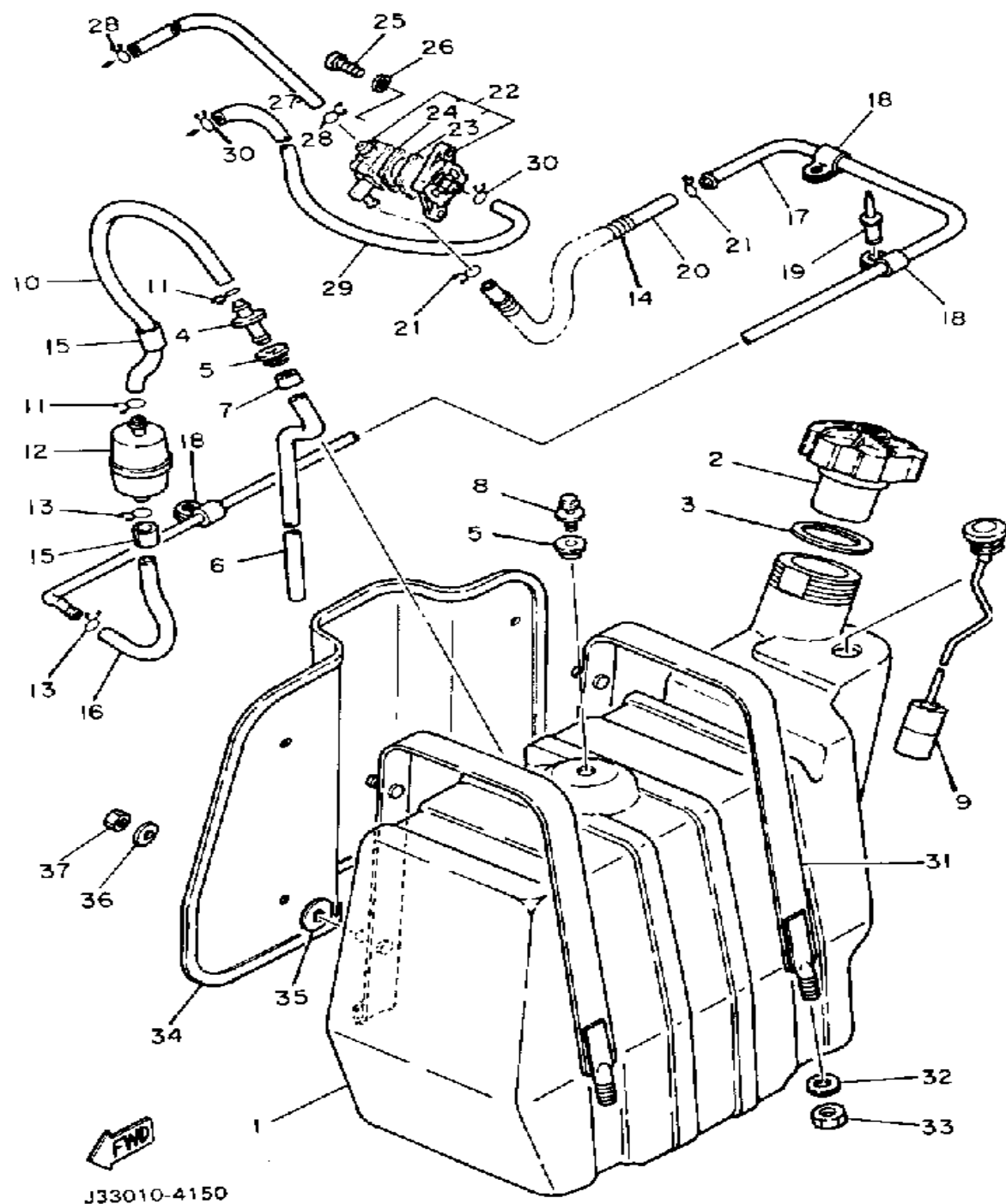
| Ref. No. | Part Number     | Description                  | Qty | Remarks |
|----------|-----------------|------------------------------|-----|---------|
| 29       | J10-23845-10-00 | JOINT, UNIVERSAL 2           | 1   |         |
| 30       | 90170-12054-00  | NUT                          | 1   |         |
| 31       | 90170-12055-00  | NUT                          | 1   |         |
| 32       | 95301-12900-00  | NUT, SLOTTED                 | 4   |         |
| 33       | 92990-12600-00  | WASHER, PLATE (92902-12600)  | 2   |         |
| 34       | 91401-30030-00  | PIN, COTTER (91401-30025-00) | 4   |         |
| 35       | 95701-16300-00  | NUT, FLANGE                  | 1   |         |
| 36       | 90215-16161-00  | WASHER, LOCK                 | 1   |         |
| 37       | 90185-12119-00  | NUT, SELF-LOCKING            | 1   |         |
| 38       | 92990-12200-00  | WASHER, PLAIN                | 1   |         |
| 39       | 90340-14029-00  | PLUG, STRAIGHT SCREW         | 1   |         |
| 40       | 97313-10050-00  | BOLT, HEXAGON (676)          | 4   |         |
| 41       | 92990-10100-00  | WASHER, SPRING               | 4   |         |
| 42       | 90430-14175-00  | GASKET                       | 1   |         |

# OIL TANK



| Ref. No. | Part Number     | Description               | Qty | Remarks |
|----------|-----------------|---------------------------|-----|---------|
| 1        | J17-21751-00-00 | TANK, OIL .....           | 1   |         |
| 2        | 863-21771-00-00 | BODY, CAP .....           | 1   |         |
| 3        | 90430-31003-00  | GASKET .....              | 1   |         |
| 4        | J17-21756-00-00 | NET, FILTER .....         | 1   |         |
| 5        | J10-21745-00-00 | PIPE, OIL TNK BRTHR ..... | 1   |         |
| 6        | 90467-11009-00  | CLIP .....                | 2   |         |
| 7        | 90464-12036-00  | CLAMP .....               | 1   |         |
| 8        | J17-21776-00-00 | BAND, TANK FITTING .....  | 1   |         |
| 9        | 97313-06016-00  | BOLT, HEXAGON .....       | 2   |         |
| 10       | 90201-063J2-00  | WASHER, PLATE .....       | 2   |         |
| 11       | 95601-06200-00  | NUT, U FLANGE .....       | 2   |         |

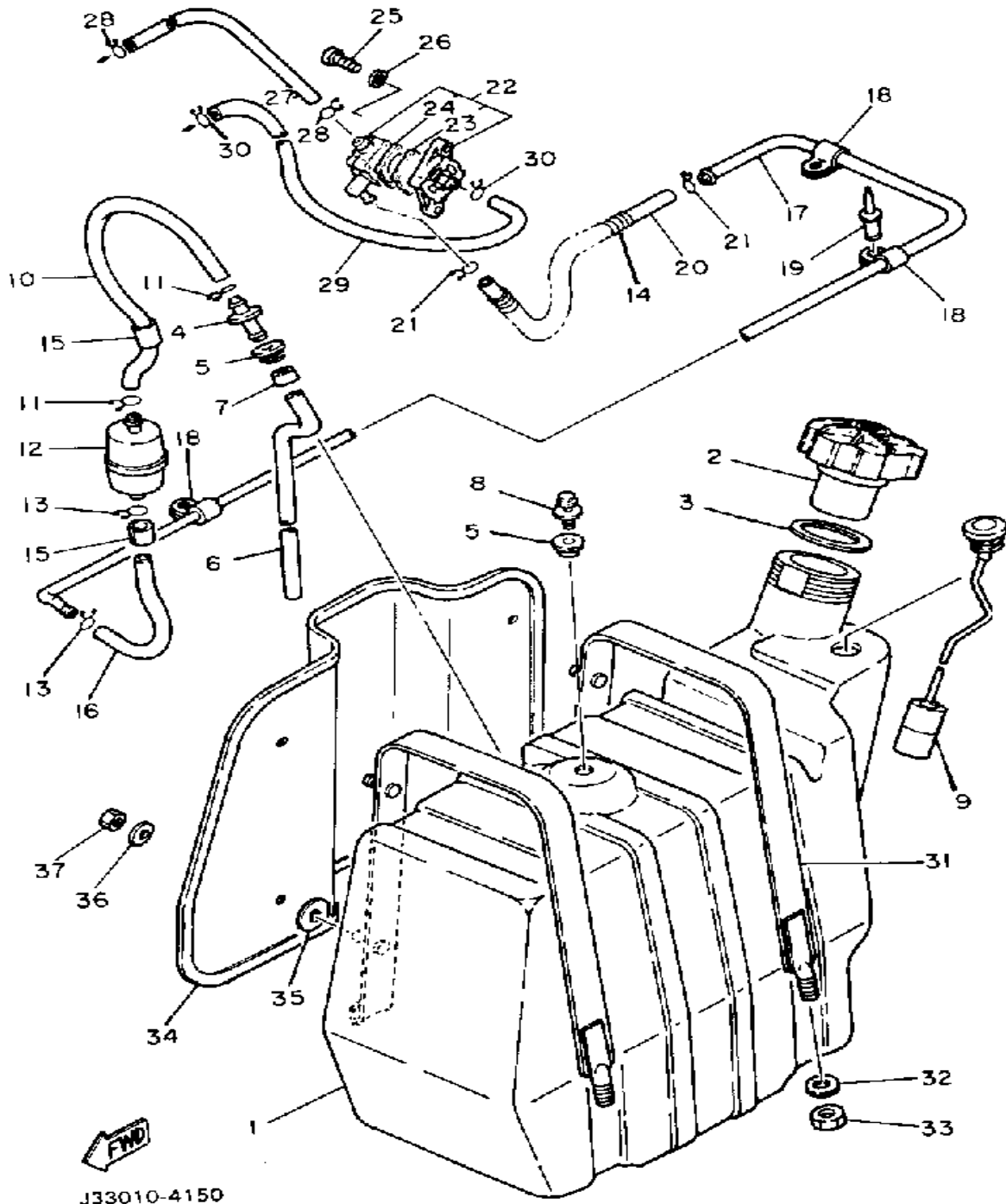
# FUEL TANK



| Ref. No. | Part Number     | Description                            | Qty | Remarks |
|----------|-----------------|--|-----|---------|
| 1        | J17-24111-00-00 | FUEL TANK                              | 1   |         |
| 2        | J24-24620-01-00 | BODY CAP ASSEMBLY                      | 1   |         |
| 3        | J10-24612-00-00 | GASKET, CAP                            | 1   |         |
| 4        | J10-24461-00-00 | PIPE, JOINT                            | 1   |         |
| 5        | J10-21773-00-00 | GROMMET                                | 2   |         |
| 6        | J10-24311-00-00 | PIPE, FUEL 1                           | 1   |         |
| 7        | 90468-04092-00  | CLIP                                   | 1   |         |
| 8        | J24-24460-01-00 | RELEASE VALVE ASSEMBLY                 | 1   |         |
| 9        | J17-85710-01-00 | FUEL LVL GAUGE ASSEMBLY (J17-85710-00) | 1   |         |
| 10       | J10-24312-00-00 | PIPE 2                                 | 1   |         |
| 11       | 90467-11009-00  | CLIP                                   | 2   |         |
| 12       | 809-24560-01-00 | FILTER ASSEMBLY                        | 1   |         |
| 13       | 90467-11009-00  | CLIP                                   | 2   |         |
| 14       | 90501-08486-00  | SPRING, COMPRESSION                    | 1   |         |
| 15       | J10-24366-00-00 | CLAMP, FUEL PIPE 1                     | 2   |         |
| 16       | 90445-11288-00  | HOSE                                   | 1   |         |
| 17       | J10-24313-00-00 | PIPE 3                                 | 1   |         |
| 18       | 90461-04011-00  | CLAMP                                  | 3   |         |
| 19       | 90267-40054-00  | RIVET, BLIND                           | 3   |         |
| 20       | 90445-11491-00  | HOSE                                   | 1   |         |
| 21       | 90467-11009-00  | CLIP                                   | 2   |         |
| 22       | J10-24410-02-00 | FUEL PUMP ASSEMBLY                     | 1   |         |
| 23       | 7H3-24411-00-00 | . DIAPHRAGM                            | 1   |         |
| 24       | 7H3-24434-00-00 | . GASKET                               | 1   |         |
| 25       | 98580-06018-00  | SCREW, PAN HEAD (N15)                  | 2   |         |
| 26       | 92995-06100-00  | WASHER, SPRING (92990-06100-00)        | 2   |         |
| 27       | 90445-09069-00  | HOSE                                   | 1   |         |

CONTINUED ON NEXT FRAME ►

# FUEL TANK

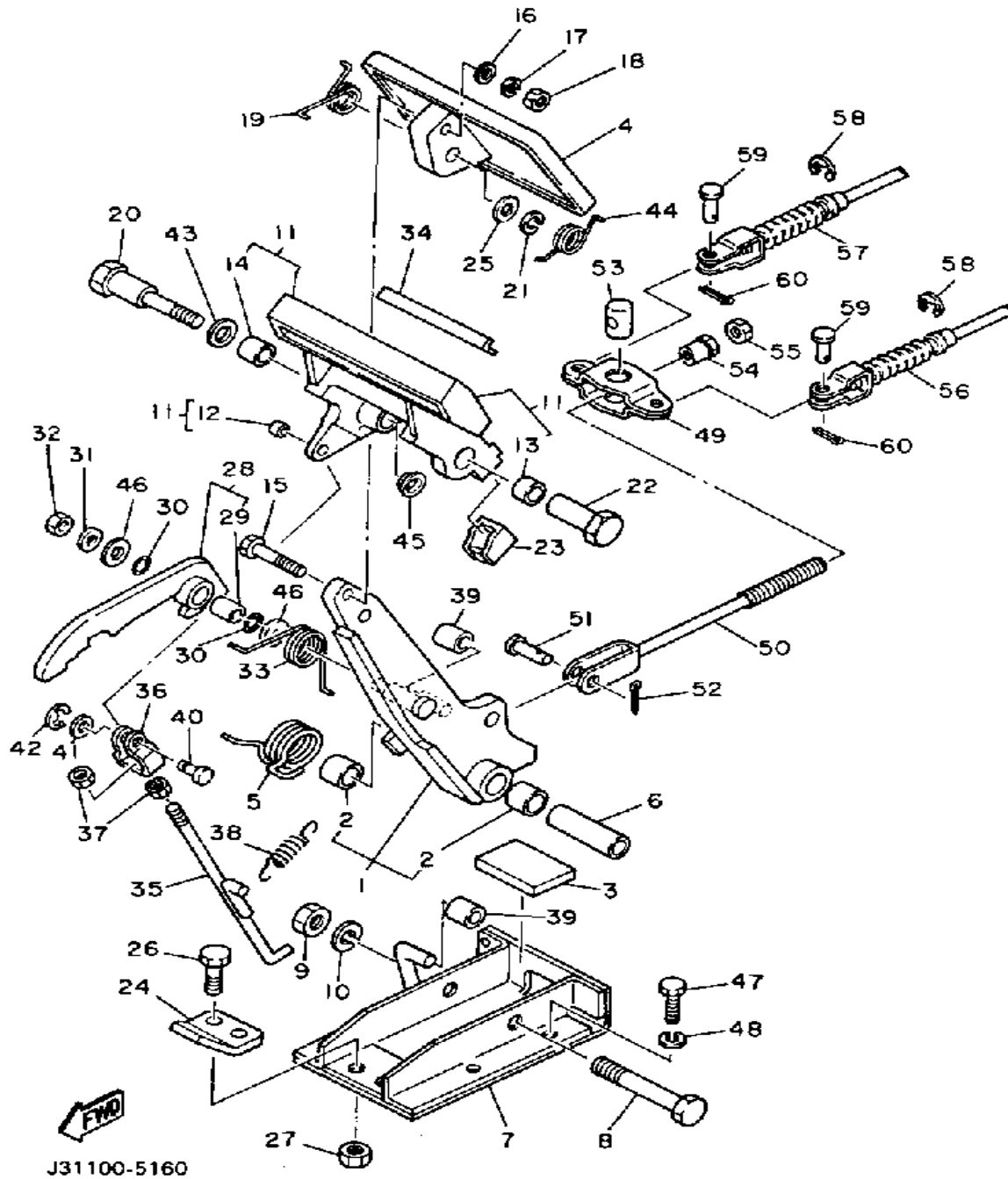


| Ref. No. | Part Number     | Description               | Qty | Remarks |
|----------|-----------------|---------------------------|-----|---------|
| 28       | 90467-08017-00  | CLIP .....                | 2   |         |
| 29       | 90445-10449-00  | HOSE .....                | 1   |         |
| 30       | 90467-09006-00  | CLIP, SCISSOR .....       | 2   |         |
| 31       | J17-24173-00-00 | BAND, TNK FITTING 1 ..... | 2   |         |
| 32       | 90201-08107-00  | WASHER, PLATE .....       | 2   |         |
| 33       | 95611-08100-00  | NUT, U .....              | 2   |         |
| 34       | J17-24129-01-00 | COVER, SIDE 1 .....       | 1   |         |
| 35       | 90202-08111-00  | WASHER, PLATE .....       | 4   |         |
| 36       | 90201-06067-00  | WASHER, PLATE .....       | 4   |         |
| 37       | 95601-06100-00  | NUT, U .....              | 4   |         |

J33010-4150



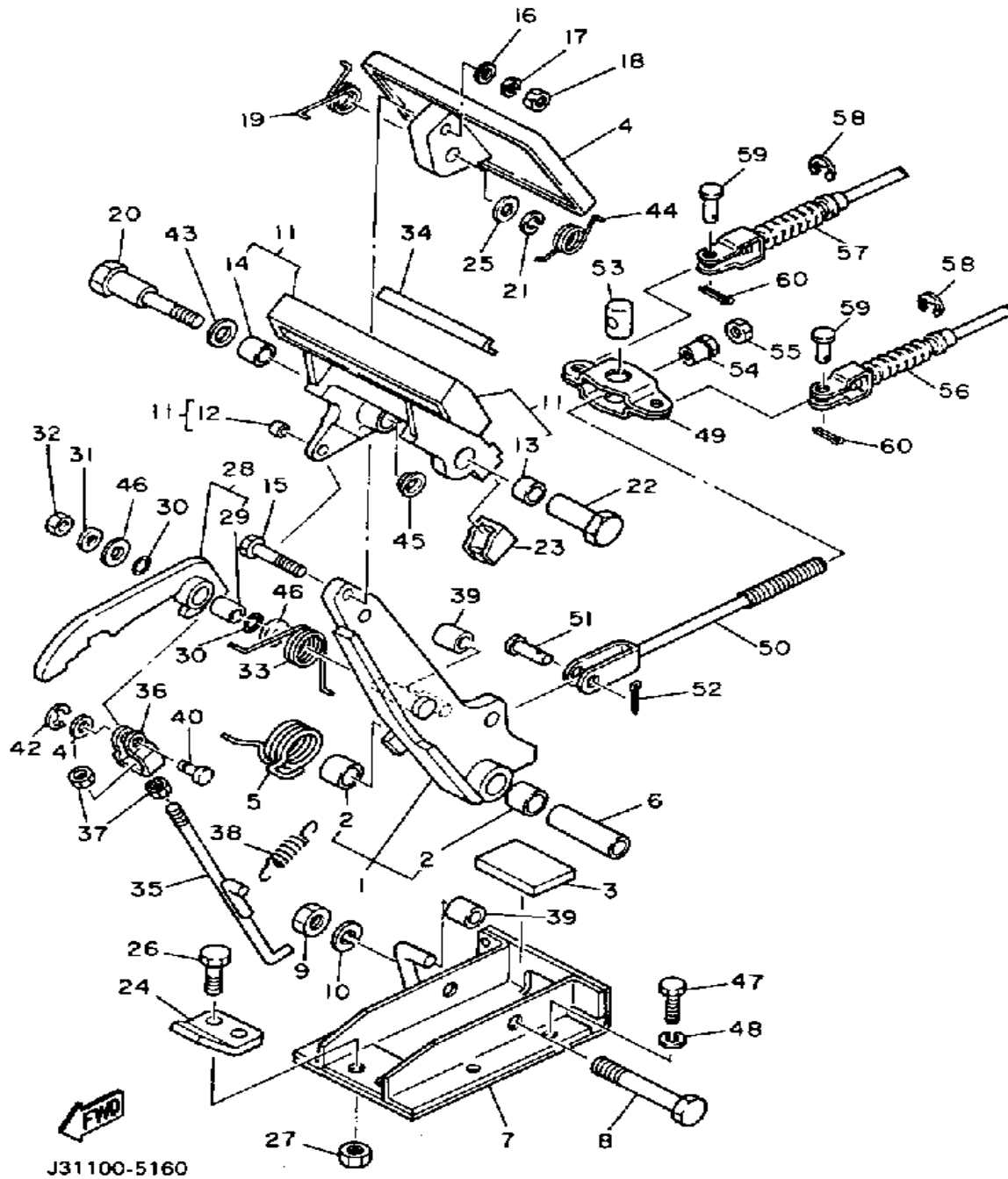
# BRAKE



| Ref. No. | Part Number     | Description                        | Qty | Remarks |
|----------|-----------------|------------------------------------|-----|---------|
| 1        | 92990-10600-00  | . WASHER                           | 1   |         |
|          | 99080-07600-00  | . CIRCLIP                          | 1   |         |
|          | 99999-01757-00  | BRAKE ARM CMLPT (J17-27250-01)     | 1   |         |
|          | J17-27250-02-00 | . BRAKE ARM COMP.                  | 1   |         |
| 2        | 90384-14080-00  | . BUSH, BIMETAL                    | 2   |         |
| 3        | J17-27245-00-00 | PAD, BRAKE PEDAL                   | 1   |         |
| 4        | J10-27211-00-00 | PEDAL, BRAKE                       | 1   |         |
| 5        | 90508-40543-00  | SPRING, TORSION                    | 1   |         |
| 6        | 90387-107F8-00  | COLLAR                             | 1   |         |
| 7        | J17-25654-00-00 | BRACKET, PEDAL                     | 1   |         |
| 8        | 90101-10447-00  | BOLT, HEX.                         | 1   |         |
| 9        | 95601-10100-00  | NUT, U (95602-10100-00)            | 1   |         |
| 10       | 92990-10100-00  | WASHER, SPRING                     | 1   |         |
| 11       | 99999-01799-00  | PARKING PEDAL COMP. (J17-25670-00) | 1   |         |
| 12       | 90384-05163-00  | . BUSH, BIMETAL                    | 1   |         |
| 13       | 90384-12164-00  | . BUSH, BIMETAL                    | 1   |         |
| 14       | 90380-12051-00  | . BUSH, SOLID                      | 1   |         |
| 15       | 90101-06555-00  | BOLT, HEX.                         | 1   |         |
| 16       | 92990-06200-00  | WASHER, PLAIN                      | 1   |         |
| 17       | 92995-06100-00  | WASHER, SPRING (92990-06100-00)    | 1   |         |
| 18       | 95380-06600-00  | NUT (95303-06600)                  | 1   |         |
| 19       | 90508-23542-00  | SPRING, TORSION                    | 1   |         |
| 20       | 90109-08669-00  | BOLT                               | 1   |         |
| 21       | 92990-08100-00  | WASHER, PLAIN                      | 1   |         |
| 22       | 90179-08378-00  | NUT                                | 1   |         |
| 23       | J17-25679-01-00 | DAMPER                             | 1   |         |
| 24       | J17-27246-00-00 | NAIL, BRAKE                        | 1   |         |

CONTINUED ON NEXT FRAME ►

# BRAKE

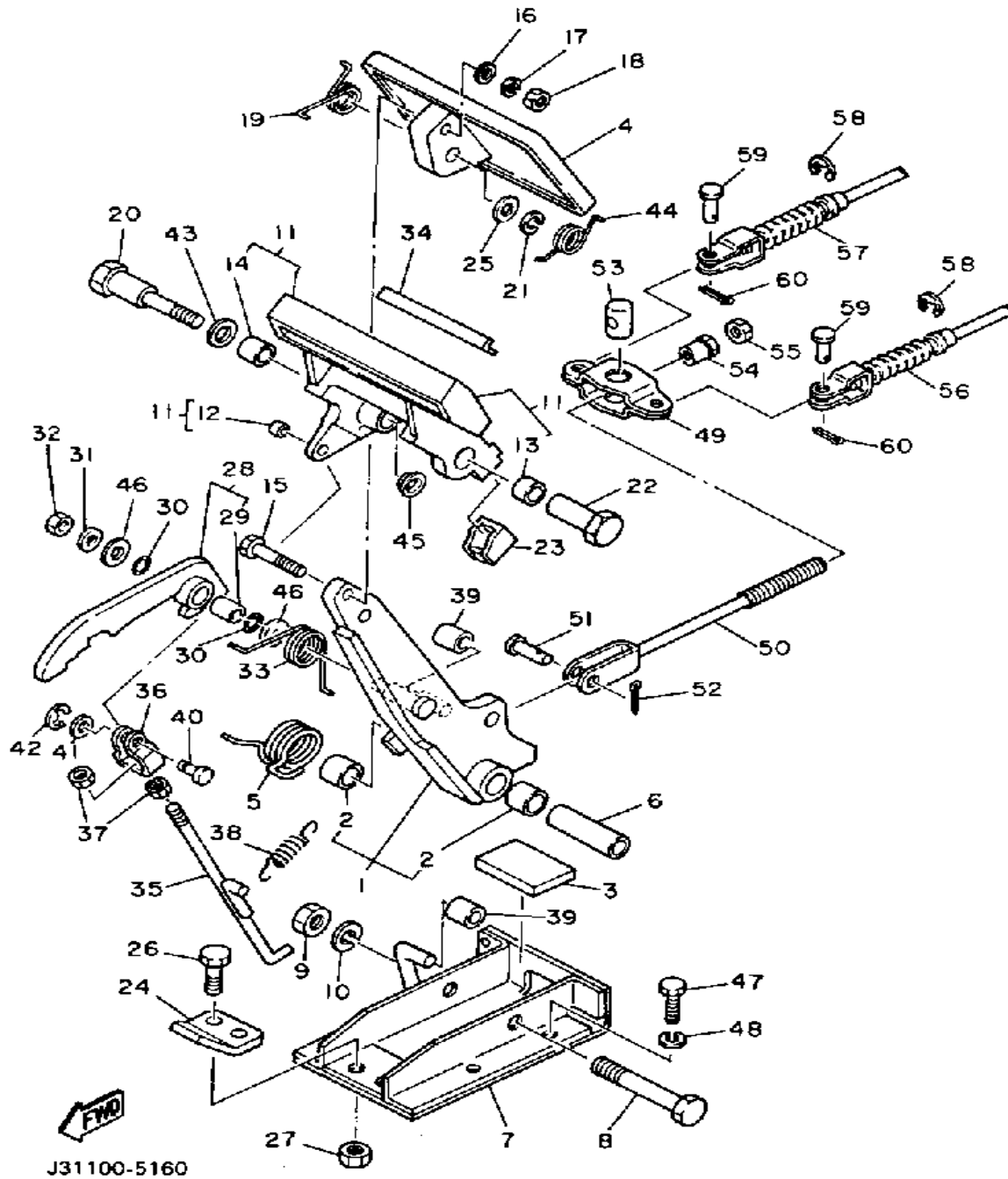


J31100-5160

| Ref. No. | Part Number     | Description                     | Qty | Remarks |
|----------|-----------------|---------------------------------|-----|---------|
| 25       | 92990-08200-00  | WASHER, SPRING (92902-08100)    | 1   |         |
| 26       | 97001-08025-00  | BOLT (1NV)                      | 2   |         |
| 27       | 95611-08100-00  | NUT, U                          | 2   |         |
| 28       | J17-W2561-00-00 | SECTOR, PARKING BRAKE           | 1   |         |
| 29       | 90384-10162-00  | BUSH, BIMETAL                   | 1   |         |
| 30       | J17-27221-00-00 | SEAL, SHAFT                     | 2   |         |
| 31       | 90201-065F3-00  | WASHER, PLATE                   | 1   |         |
| 32       | 95601-06100-00  | NUT, U                          | 1   |         |
| 33       | 90508-14548-00  | SPRING, TORSION                 | 1   |         |
| 34       | J17-25672-01-00 | PAD, PARKING                    | 1   |         |
| 35       | J17-27231-02-00 | ROD, BRAKE                      | 1   |         |
| 36       | J17-27232-00-00 | END, ROD                        | 1   |         |
| 37       | 95380-06700-00  | NUT (95303-06700-00)            | 2   |         |
| 38       | 90506-12277-00  | SPRING, TENSION                 | 1   |         |
| 39       | J17-25673-00-00 | DAMPER, BRAKE                   | 2   |         |
| 40       | J17-27228-00-00 | PIN, LINK JOINT                 | 1   |         |
| 41       | 92901-05600-00  | WASHER, PLATE                   | 1   |         |
| 42       | 99080-05600-00  | CIRCLIP (93430-05027-00)        | 1   |         |
| 43       | 90201-123F2-00  | WASHER, PLAIN                   | 1   |         |
| 44       | 90508-26557-00  | SPRING, TORSION                 | 1   |         |
| 45       | 90380-12105-00  | BUSH, SOLID                     | 1   |         |
| 46       | 90201-104G8-00  | WASHER, PLAIN                   | 2   |         |
| 47       | 97011-06016-00  | BOLT                            | 4   |         |
| 48       | 92995-06100-00  | WASHER, SPRING (92990-06100-00) | 4   |         |
| 49       | J10-25681-00-00 | EQUALIZER, BRAKE                | 1   |         |
| 50       | J20-25685-00-00 | ROD                             | 1   |         |
| 51       | 91701-10022-00  | PIN                             | 1   |         |

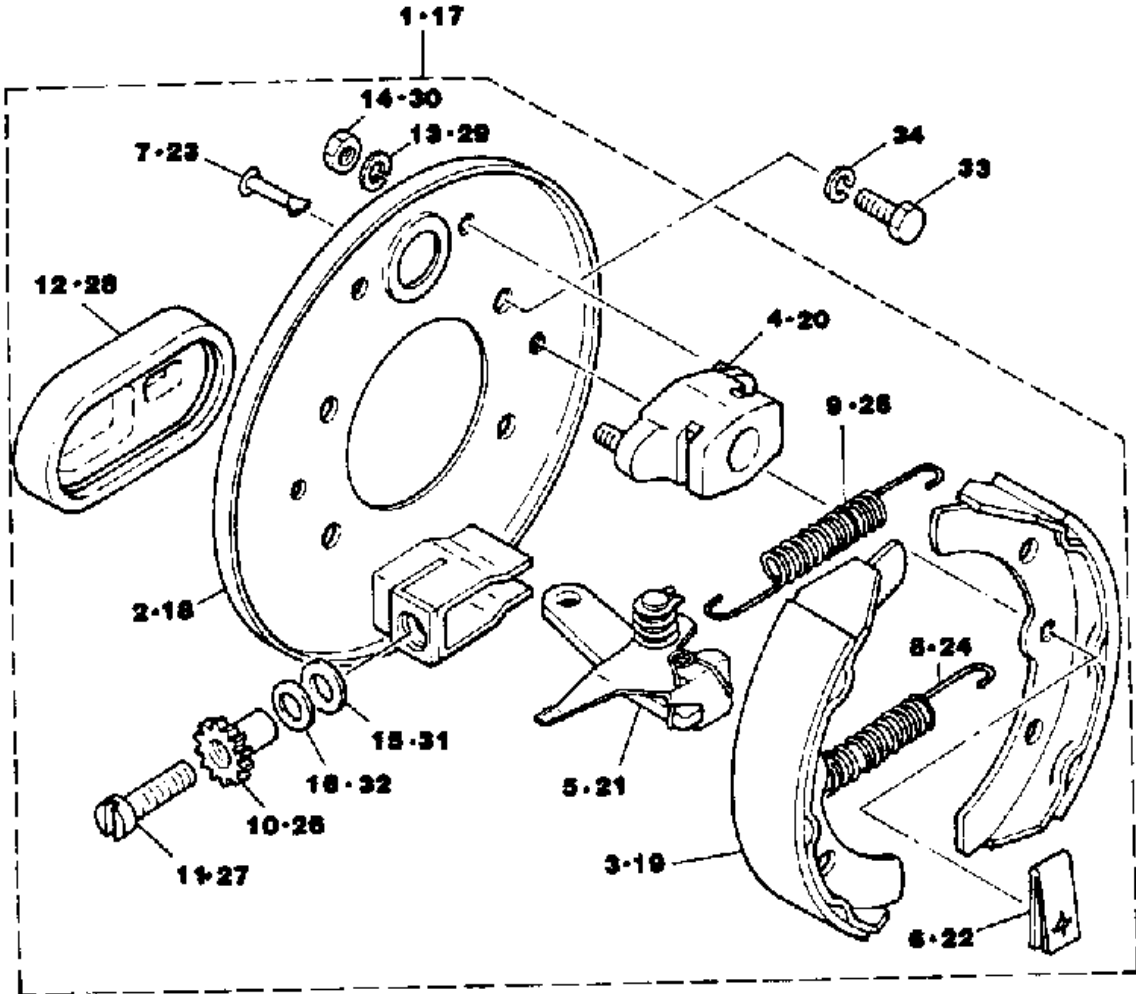
CONTINUED ON NEXT FRAME ►

# BRAKE



| Ref. No. | Part Number     | Description        | Qty | Remarks |
|----------|-----------------|--------------------|-----|---------|
| 52       | 91490-30020-00  | PIN, COTTER .....  | 1   |         |
| 53       | 90249-14129-00  | PIN .....          | 1   |         |
| 54       | 90179-08261-00  | NUT .....          | 1   |         |
| 55       | 95303-08700-00  | NUT .....          | 1   |         |
| 56       | J56-F6341-00-00 | CABLE, BRAKE ..... | 1   |         |
| 57       | J56-F6351-00-00 | CABLE, BRAKE ..... | 1   |         |
| 58       | 99001-09600-00  | CIRCLIP .....      | 4   |         |
| 59       | 91701-08018-00  | PIN .....          | 4   |         |
| 60       | 91490-25020-00  | PIN, COTTER .....  | 4   |         |

# BRAKE 2

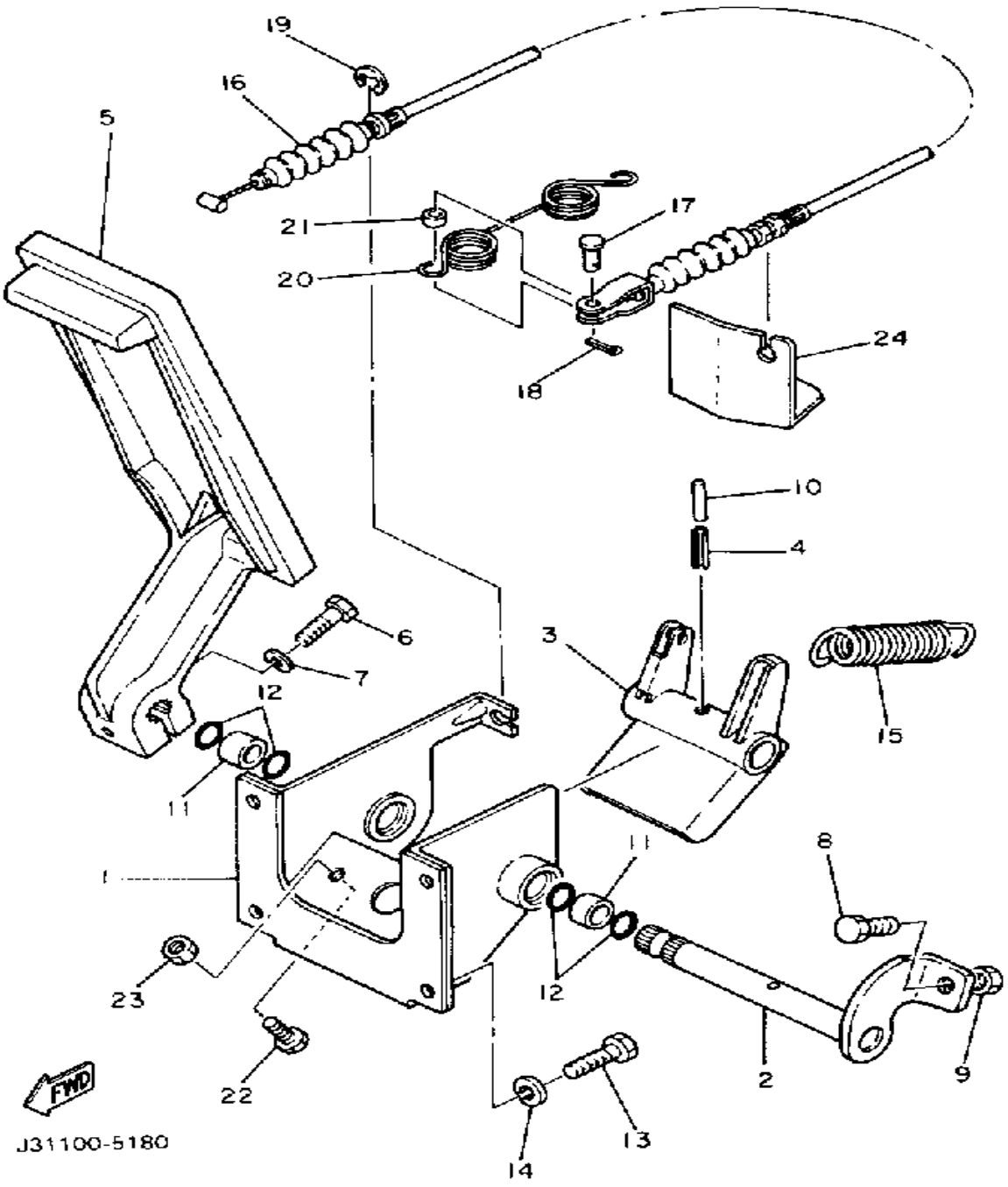


| Ref. No. | Part Number     | Description                                | Qty | Remarks |
|----------|-----------------|--|-----|---------|
| 1        | J17-27280-01-00 | BACKING PLT ASSEMBLY 1 ..                  | 1   |         |
| 2        | J17-27208-00-00 | . BACKING PLATE SUB ASSEMBLY 1 (R.H) ..... | 1   |         |
| 3        | J55-W2536-00-00 | . BRAKE SHOE SET .....                     | 1   |         |
| 4        | J17-27206-00-00 | . ANCHOR BODY COMP. ....                   | 1   |         |
| 5        | J17-27204-01-00 | . LEVER ASSEMBLY 1 .....                   | 1   |         |
| 6        | J10-27281-00-00 | . SPRING, SHOE CLAMP .....                 | 2   |         |
| 7        | J10-27282-00-00 | . PIN, SHOE HOLD DOWN ....                 | 2   |         |
| 8        | 90506-20281-00  | . SPRING, TENSION .....                    | 1   |         |
| 9        | 90506-26191-00  | . SPRING, TENSION .....                    | 1   |         |
| 10       | J17-27238-00-00 | . NUT, ADJUSTING .....                     | 1   |         |
| 11       | 90109-08657-00  | . BOLT .....                               | 1   |         |
| 12       | J10-27286-00-00 | . COVER, DUST .....                        | 1   |         |
| 13       | 92995-06100-00  | . WASHER, SPRING (92990-06100-00) .....    | 2   |         |
| 14       | 95380-06600-00  | . NUT (95303-06600) .....                  | 2   |         |
| 15       | 90201-121H8-00  | . WASHER, PLATE .....                      | 1   |         |
| 16       | 90201-121H9-00  | . WASHER, PLATE .....                      | 1   |         |
| 17       | J17-27290-01-00 | BACKING PLT ASSEMBLY 2 ..                  | 1   |         |



J31100-4170

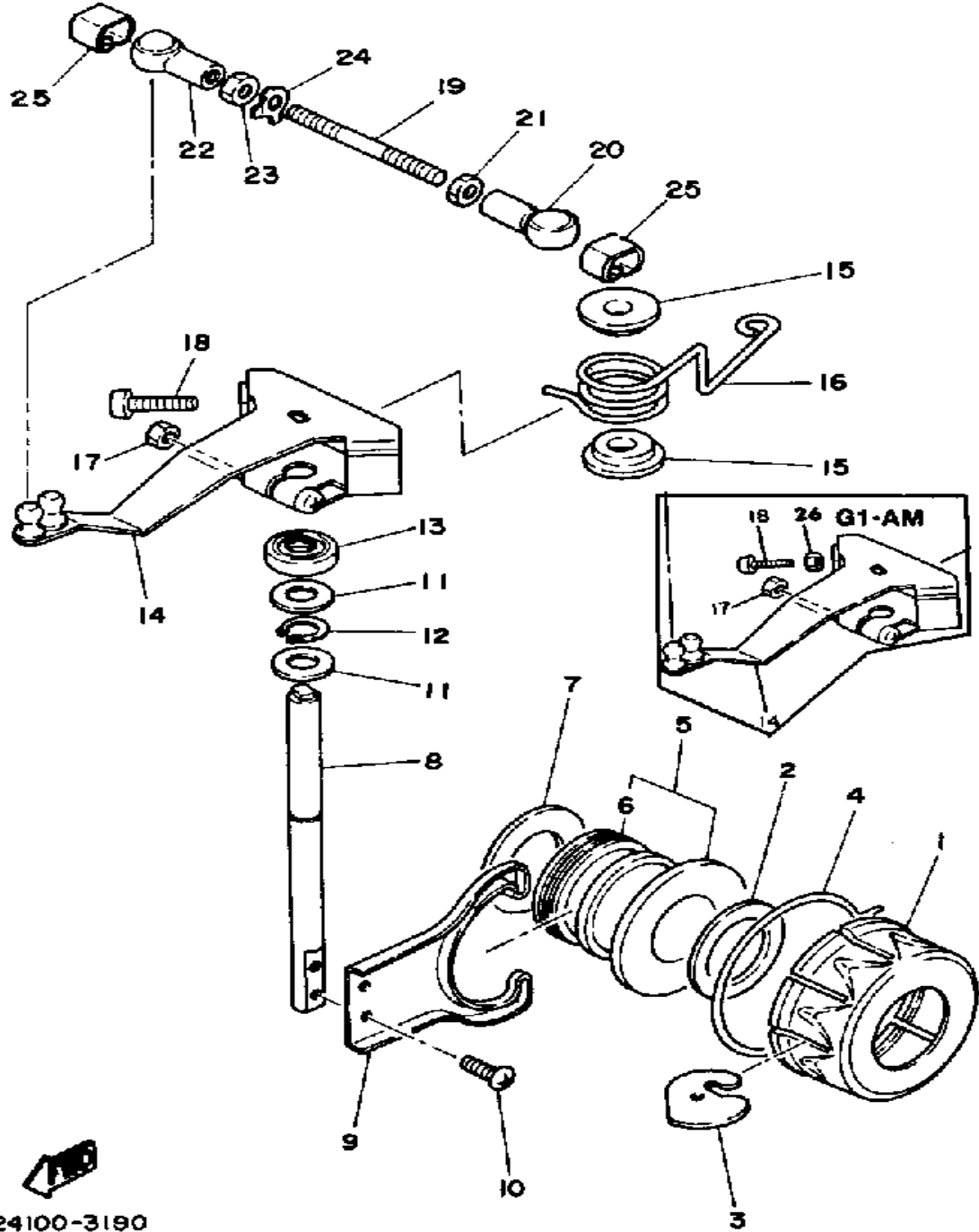
# ACCELERATOR



J31100-5180

| Ref. No. | Part Number     | Description                     | Qty | Remarks |
|----------|-----------------|---------------------------------|-----|---------|
| 1        | J17-27874-00-00 | BRKT, ACCLTR PEDAL              | 1   |         |
| 2        | J17-27853-00-00 | SHAFT, PEDAL 1                  | 1   |         |
| 3        | J17-27872-00-00 | ARM, ACCLTR PEDAL               | 1   |         |
| 4        | 91609-60025-00  | PIN, SPRING                     | 1   |         |
|          | 91609-60028-00  | PIN, SPRING                     | 1   |         |
| 5        | JF3-27871-00-00 | PEDAL, ACCELERATOR              | 1   |         |
| 6        | 97011-06025-00  | BOLT (97001-06025)              | 1   |         |
| 7        | 92995-06100-00  | WASHER, SPRING (92990-06100-00) | 1   |         |
| 8        | 90106-08040-00  | BOLT, RD. HEX                   | 1   |         |
| 9        | 95303-08700-00  | NUT                             | 1   |         |
| 10       | 91609-35028-00  | PIN, SPRING                     | 1   |         |
| 11       | 90384-14080-00  | BUSH, BIMETAL                   | 2   |         |
| 12       | 93210-14104-00  | O-RING                          | 4   |         |
| 13       | 97301-06014-00  | BOLT, HEXAGON                   | 4   |         |
| 14       | 92995-06100-00  | WASHER, SPRING (92990-06100-00) | 4   |         |
| 15       | 90506-26282-00  | SPRING, TENSION                 | 1   |         |
| 16       | J17-26311-00-00 | CABLE, THROTTLE 1               | 1   |         |
| 17       | 91702-05012-00  | PIN                             | 1   |         |
| 18       | 90468-10050-00  | CLIP                            | 1   |         |
| 19       | 99080-07600-00  | CIRCLIP                         | 1   |         |
| 20       | 90508-16460-00  | SPRING, TORSION                 | 1   |         |
| 21       | 90560-05001-00  | SPACER                          | 1   |         |
| 22       | 97011-06025-00  | BOLT (97001-06025)              | 1   |         |
| 23       | 95380-06700-00  | NUT (95303-06700-00)            | 1   |         |
| 24       | J10-27981-00-00 | BRACKET, THROTTLE               | 1   |         |

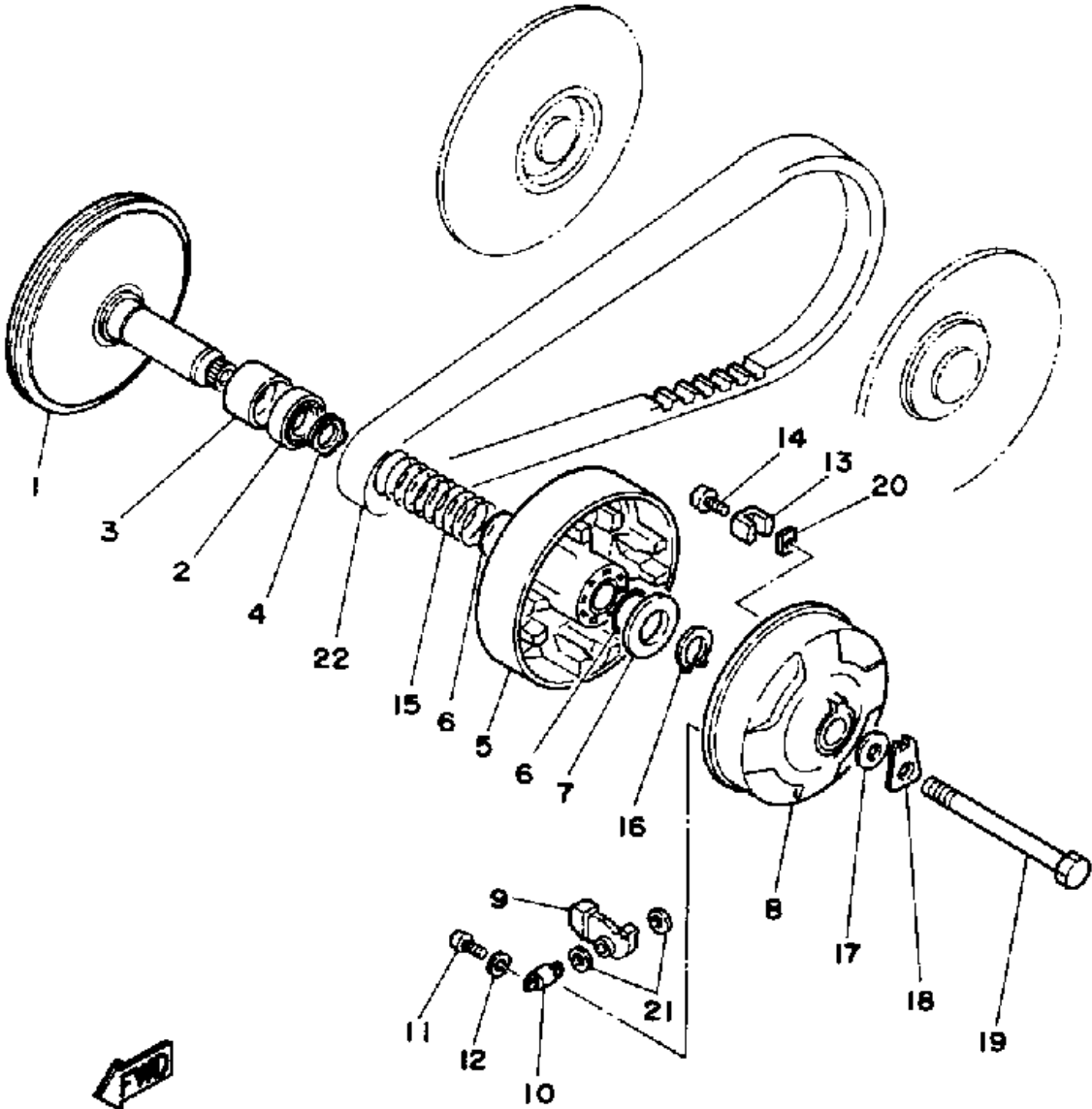
# GOVERNER



| Ref. No. | Part Number     | Description                         | Qty | Remarks |
|----------|-----------------|-------------------------------------|-----|---------|
| 1        | J10-27912-00-00 | RETAINER                            | 1   |         |
| 2        | 90387-21690-00  | COLLAR                              | 1   |         |
| 3        | J10-27913-00-00 | WEIGHT                              | 12  |         |
| 4        | J10-27911-00-00 | HOLDER                              | 1   |         |
| 5        | J10-27927-00-00 | LIFTER                              | 1   |         |
| 6        | 93342-22502-00  | . BEARING, THRUST                   | 1   |         |
| 7        | 90201-20275-00  | WASHER, PLATE                       | 1   |         |
| 8        | J10-27921-01-00 | SHAFT, GOVERNOR                     | 1   |         |
| 9        | J10-27922-00-00 | FORK, GOVERNOR                      | 1   |         |
| 10       | 98580-04008-00  | SCREW, PAN HEAD<br>(98501-04008-00) | 2   |         |
| 11       | 90202-08110-00  | WASHER, PLATE                       | 2   |         |
| 12       | 99009-06600-00  | CIRCLIP                             | 1   |         |
| 13       | 93109-08050-00  | OIL SEAL                            | 1   |         |
| 14       | J10-27951-01-00 | LEVER, SPEED LMTR                   | 1   |         |
| 15       | 90385-08034-00  | BUSH, SPEC'L RUBBER                 | 2   |         |
|          | 90386-08141-00  | BUSH                                | 2   |         |
| 16       | 90508-40398-00  | SPRING, TORSION                     | 1   |         |
| 17       | 95380-06600-00  | NUT (95303-06600)                   | 1   |         |
| 18       | J10-27959-00-00 | SCREW, ADJUSTING                    | 1   |         |
| 19       | J10-14836-00-00 | ROD                                 | 1   |         |
| 20       | J10-14833-01-00 | JOINT                               | 1   |         |
| 21       | 95311-05700-00  | NUT                                 | 1   |         |
| 22       | J10-14864-01-00 | JOINT                               | 1   |         |
| 23       | 90170-05190-00  | NUT, HEXAGON                        | 1   |         |
| 24       | J24-14842-00-00 | PLATE, CON ROD                      | 1   |         |
| 25       | 90468-05112-00  | CLIP                                | 2   |         |
| 26       | 95311-05700-00  | NUT                                 | 1   |         |

J24100-3190

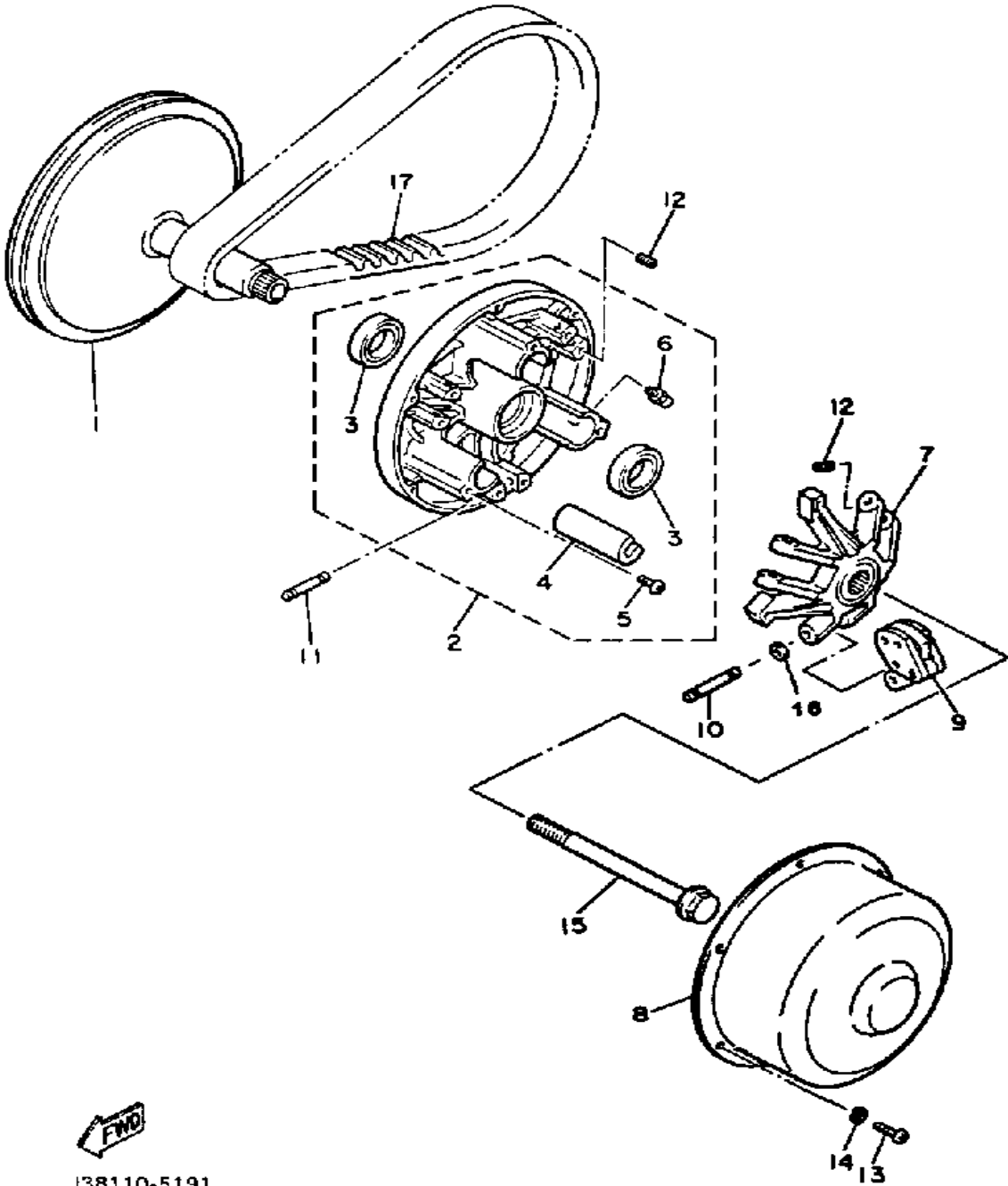
# PRIMARY SHEAVE (G1-AM5)



| Ref. No. | Part Number     | Description                         | Qty | Remarks |
|----------|-----------------|-------------------------------------|-----|---------|
| 1        | J10-46210-00-00 | PRI FIXED SHEAVESHEAVE COMP .....   | 1   |         |
| 2        | 93306-90601-00  | BEARING .....                       | 1   |         |
| 3        | 90387-47686-00  | COLLAR .....                        | 1   |         |
| 4        | J10-46244-00-00 | SEAT, SPRING .....                  | 1   |         |
| 5        | J10-46220-01-00 | PRI SLDG SHV CMLPTSHEAVE COMP ..... | 1   |         |
| 6        | 93210-27458-00  | O-RING .....                        | 2   |         |
| 7        | J10-46223-01-00 | CAM .....                           | 1   |         |
| 8        | J17-46230-00-00 | PRI SHEAVE CAPCAP COMP .            | 1   |         |
| 9        | J10-46232-00-00 | WEIGHT 1 .....                      | 4   |         |
| 10       | J10-46236-00-00 | PIN, WEIGHT .....                   | 4   |         |
| 11       | 98580-05020-00  | SCREW, PAN HEAD .....               | 8   |         |
| 12       | 92990-05100-00  | WASHER, SPRING .....                | 8   |         |
| 13       | J10-46253-01-00 | SLIDER .....                        | 4   |         |
| 14       | 90149-05129-00  | SCREW, SPEC'L SHAPE ....            | 4   |         |
| 15       | 90501-32557-00  | SPRING, COMPRESSION .....           | 1   |         |
| 16       | 99009-28400-00  | CIRCLIP .....                       | 1   |         |
| 17       | 90560-12180-00  | SPACER .....                        | 1   |         |
| 18       | 90215-13146-00  | WASHER, LOCK .....                  | 1   |         |
| 19       | J10-46249-00-00 | BOLT .....                          | 1   |         |
| 20       | J17-46254-00-00 | DAMPER SPACER .....                 | 4   |         |
| 21       | 90202-10129-00  | WASHER, PLATE .....                 | 8   |         |
| 22       | J17-46241-00-00 | BELT .....                          | 1   |         |

J24100-3200

# PRIMARY SHEAVE (G1-AM)

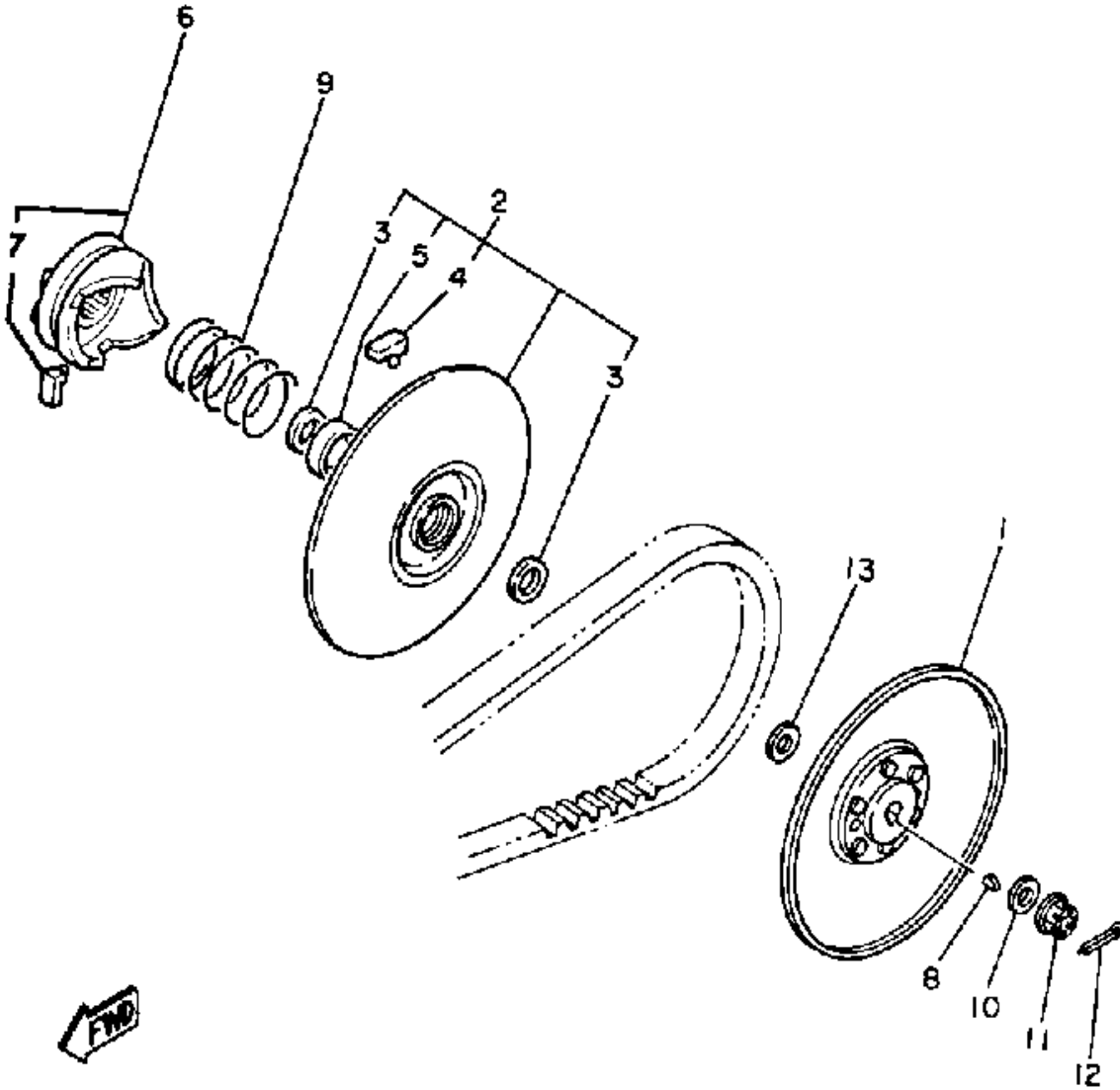


| Ref. No. | Part Number     | Description                      | Qty | Remarks |
|----------|-----------------|----------------------------------|-----|---------|
| 1        | J42-46210-00-00 | PRI FIXED SHEAVESHEAVE COMP      | 1   |         |
| 2        | J38-46220-00-00 | PRIMARY SLIDING SHEAVE COMP.     | 1   |         |
| 3        | 93102-28348-00  | . OIL SEAL                       | 2   |         |
| 4        | J38-46253-00-00 | SLIDER                           | 3   |         |
| 5        | 98901-05008-00  | . SCREW, BIND                    | 3   |         |
| 6        | 93700-06M03-00  | . NIPPLE, GREASE                 | 1   |         |
| 7        | J38-46251-00-00 | SPIDER                           | 1   |         |
| 8        | J38-46231-00-00 | CAP                              | 1   |         |
| 9        | 99999-01830-00  | WGHT LINK KIT-G2A (J38-46205-00) | 3   |         |
| 10       | J38-46236-00-00 | PIN, WEIGHT                      | 3   |         |
| 11       | J38-46237-00-00 | PIN, WEIGHT 2                    | 3   |         |
| 12       | 90113-04050-00  | BOLT, SET                        | 12  |         |
| 13       | 98580-05010-00  | SCREW, PAN HEAD                  | 6   |         |
| 14       | 92990-05100-00  | WASHER, SPRING                   | 6   |         |
| 15       | J38-46249-00-00 | BOLT                             | 1   |         |
| 16       | 90202-07164-00  | WASHER, PLATE                    | 6   |         |
| 17       | J17-46241-00-00 | BELT                             | 1   |         |

FWD  
J38110-5191



# SECONDARY SHEAVE

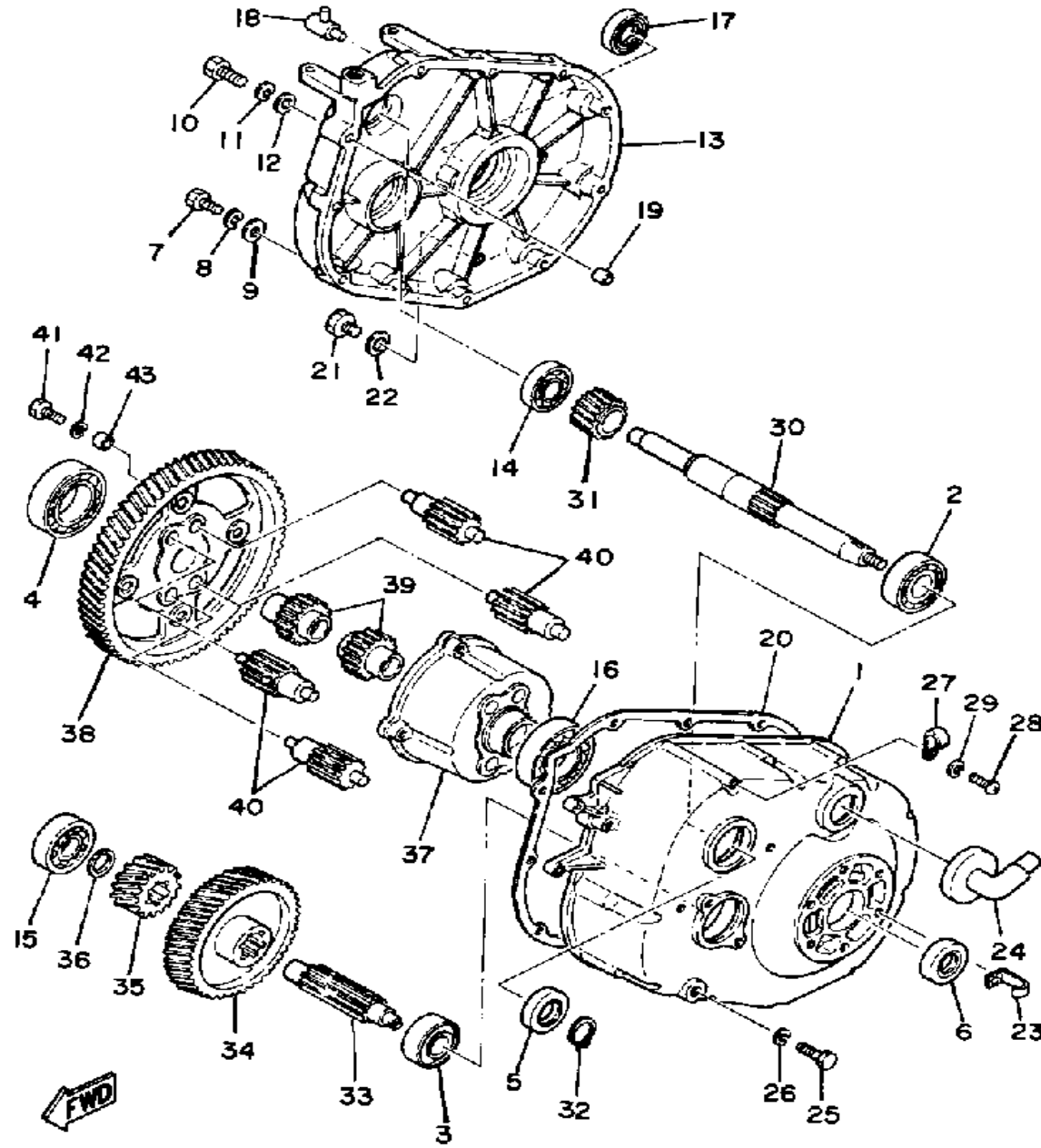


| Ref. No. | Part Number     | Description   | Qty | Remarks |
|----------|-----------------|---|-----|---------|
| 1        | J55-G6260-00-00 | SECONDARY FIXED SHEAVE COMP. ....                   | 1   |         |
| 2        | J17-46270-02-00 | SEC.SLIDING SHEAVESHEAVE COMP. (J17-46270-00) ..... | 1   |         |
| 3        | 93102-20309-00  | . OIL SEAL .....                                    | 2   |         |
| 4        | 801-17688-10-00 | . SHOE, RAMP .....                                  | 3   |         |
| 5        | 90384-20143-00  | . BUSH, BIMETAL FORM FORMED .....                   | 1   |         |
| 6        | J55-G6280-00-00 | SEC SPRNG SEAT CMP (J38-46280-00) .....             | 1   |         |
| 7        | 801-17688-10-00 | . SHOE, RAMP .....                                  | 3   |         |
| 8        | 90280-05022-00  | KEY, WOODRUFF .....                                 | 1   |         |
| 9        | 90501-45600-00  | SPRING, COMPRESSION .....                           | 1   |         |
| 10       | 90201-12588-00  | WASHER, PLATE .....                                 | 1   |         |
| 11       | 90171-12023-00  | NUT, CASTLE .....                                   | 1   |         |
| 12       | 91401-30030-00  | PIN, COTTER (91401-30025-00) .....                  | 1   |         |
| 13       | 90202-20130-00  | WASHER, PLAIN .....                                 | 1   |         |



J31100-5210

# TRANSMISSION 1 (~J31-149550 G1-AM ONLY)

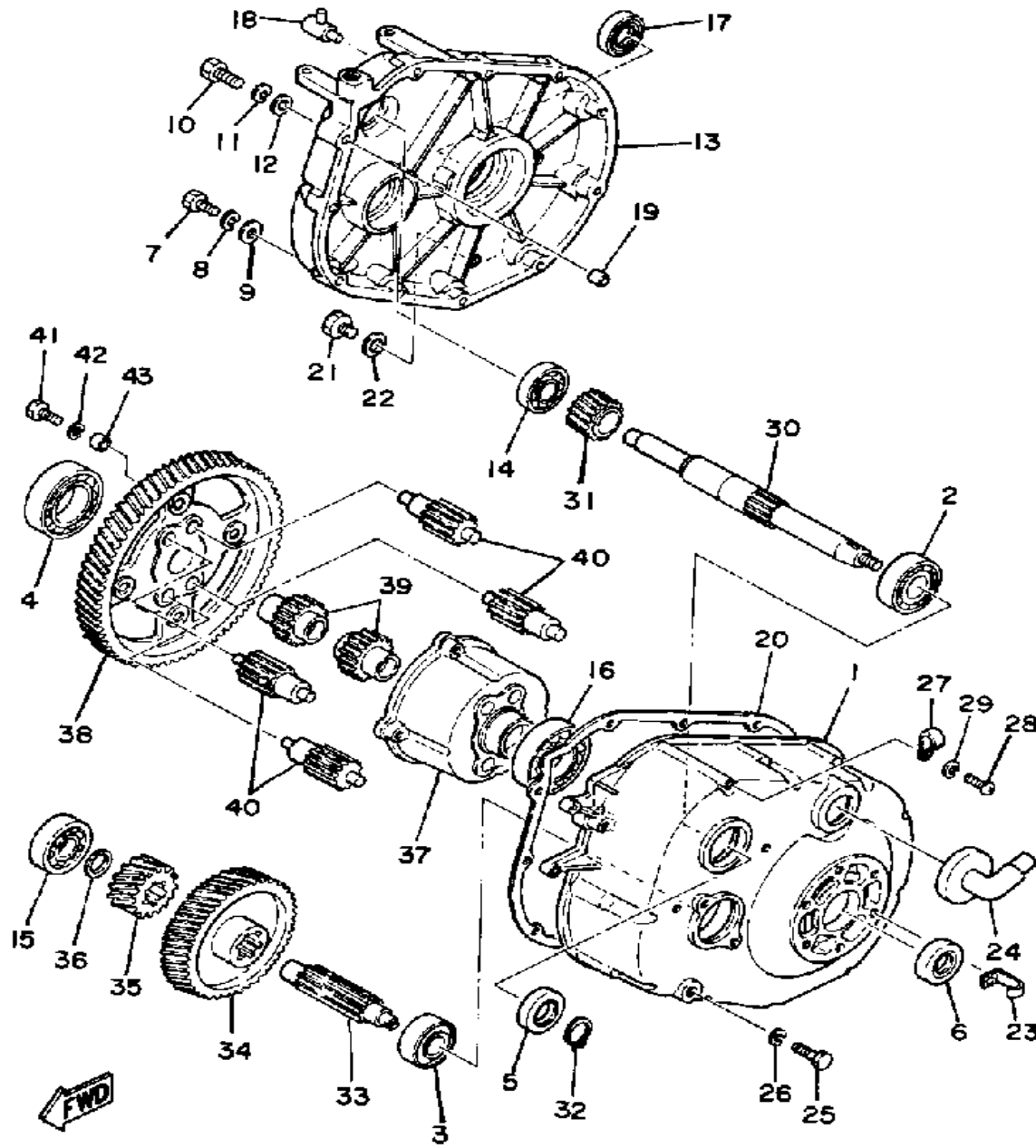


J24100-3220

| Ref. No. | Part Number     | Description                | Qty | Remarks |
|----------|-----------------|----------------------------|-----|---------|
| 1        | J11-46311-00-00 | CASE, TRANS 1 .....        | 1   |         |
| 2        | 93306-20529-00  | BEARING (B6205C4) .....    | 1   |         |
|          | 93306-20541-00  | BEARING (B6205) .....      | 1   |         |
| 3        | 93306-20421-00  | BEARING (B6204) .....      | 1   |         |
| 4        | 93306-00803-00  | BEARING (B6008) .....      | 1   |         |
| 5        | 93102-25017-00  | OIL SEAL, SD-TYPE .....    | 1   |         |
| 6        | 93102-22189-00  | OIL SEAL .....             | 1   |         |
| 7        | 97313-08035-00  | BOLT, HEXAGON .....        | 9   |         |
| 8        | 92990-08100-00  | WASHER, PLAIN .....        | 9   |         |
| 9        | 92901-08600-00  | WASHER, PLATE .....        | 9   |         |
| 10       | 97313-08045-00  | BOLT .....                 | 2   |         |
| 11       | 92990-08100-00  | WASHER, PLAIN .....        | 2   |         |
| 12       | 92901-08600-00  | WASHER, PLATE .....        | 2   |         |
| 13       | J10-46312-00-00 | CASE, TRANS 2 .....        | 1   |         |
| 14       | 93306-20324-00  | BEARING .....              | 1   |         |
| 15       | 93306-20421-00  | BEARING (B6204) .....      | 1   |         |
| 16       | 93306-00803-00  | BEARING (B6008) .....      | 1   |         |
| 17       | 93102-22189-00  | OIL SEAL .....             | 1   |         |
| 18       | 8E4-24461-00-00 | PIPE, JOINT .....          | 1   |         |
| 19       | 99510-12016-00  | PIN, DOWEL .....           | 2   |         |
| 20       | J10-46319-01-00 | GASKET .....               | 1   |         |
| 21       | 90340-14036-00  | PLUG, STRAIGHT SCREW ..... | 2   |         |
| 22       | 90430-14043-00  | GASKET .....               | 2   |         |
| 23       | 90465-06100-00  | CLAMP .....                | 1   |         |
| 24       | 835-47559-00-00 | CAP 2 .....                | 1   |         |
| 25       | 97011-10020-00  | BOLT .....                 | 2   |         |
| 26       | 92990-10100-00  | WASHER, SPRING .....       | 2   |         |
| 27       | 90465-08028-00  | CLAMP .....                | 1   |         |
| 28       | 98580-06010-00  | SCREW, PAN HEAD .....      | 1   |         |

CONTINUED ON NEXT FRAME ►

# TRANSMISSION 1 (~J31-149550 G1-AM ONLY)



J24100-3220

| Ref. No. | Part Number     | Description                        | Qty | Remarks |
|----------|-----------------|------------------------------------|-----|---------|
| 29       | 92995-06100-00  | WASHER, SPRING<br>(92990-06100-00) | 1   |         |
| 30       | J10-46321-00-00 | SHAFT, INPUT                       | 1   |         |
| 31       | J10-46331-02-00 | GEAR, IMPUT 1                      | 1   |         |
| 32       | 93410-25017-00  | CIRCLIP                            | 1   |         |
| 33       | J10-46351-00-00 | SHAFT, COUNTER                     | 1   |         |
| 34       | J10-46361-02-00 | GEAR, COUNTER 1                    | 1   |         |
| 35       | J17-46362-00-00 | GEAR, COUNTER 2                    | 1   |         |
| 36       | 90201-20272-00  | WASHER, PLATE                      | 1   |         |
| 37       | J10-W4641-00-00 | CASE, DIFFERENTIAL                 | 1   |         |
| 38       | J17-W4642-00-00 | GEAR, RING                         | 1   |         |
| 39       | J10-46414-00-00 | GEAR, DIFF SIDE                    | 2   |         |
| 40       | J10-46415-00-00 | PINION, DIFF                       | 4   |         |
| 41       | 97313-08030-00  | BOLT, HEXAGON                      | 4   |         |
| 42       | 92990-08100-00  | WASHER, PLAIN                      | 4   |         |
| 43       | 99510-10114-00  | PIN, DOWEL                         | 2   |         |

# TRANSMISSION 1 (J31-149551 ~ G1-AM ONI

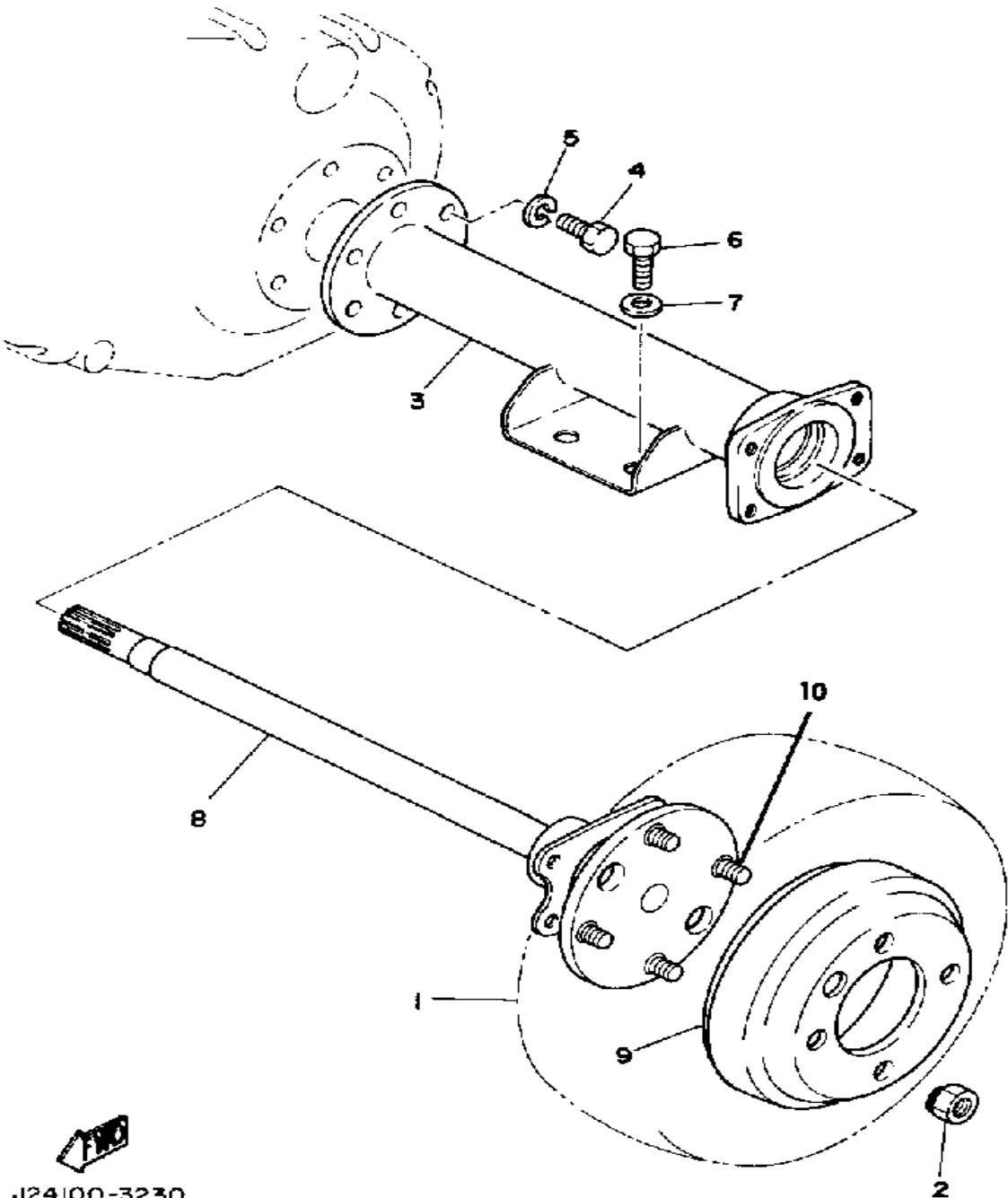
| Ref. No. | Part Number     | Description                              | Qty | Remarks |
|----------|-----------------|--|-----|---------|
| 1        | J11-46311-00-00 | CASE, TRANS 1 .....                      | 1   |         |
| 2        | 93306-20541-00  | BEARING (B6205) .....                    | 1   |         |
| 3        | 93306-20421-00  | BEARING (B6204) .....                    | 1   |         |
| 4        | 93306-00803-00  | BEARING (B6008) .....                    | 1   |         |
| 5        | 93102-25017-00  | OIL SEAL, SD-TYPE .....                  | 1   |         |
| 6        | 93102-22189-00  | OIL SEAL .....                           | 1   |         |
| 7        | 97313-08035-00  | BOLT, HEXAGON .....                      | 9   |         |
| 8        | 92990-08100-00  | WASHER, PLAIN .....                      | 9   |         |
| 9        | 92901-08600-00  | WASHER, PLATE .....                      | 9   |         |
| 10       | 97313-08045-00  | BOLT .....                               | 2   |         |
| 11       | 92990-08100-00  | WASHER, PLAIN .....                      | 2   |         |
| 12       | 92901-08600-00  | WASHER, PLATE .....                      | 2   |         |
| 13       | J10-46312-00-00 | CASE, TRANS 2 .....                      | 1   |         |
| 14       | 93306-20324-00  | BEARING .....                            | 1   |         |
| 15       | 93306-20421-00  | BEARING (B6204) .....                    | 1   |         |
| 16       | 93306-00803-00  | BEARING (B6008) .....                    | 1   |         |
| 17       | 93102-22189-00  | OIL SEAL .....                           | 1   |         |
| 18       | 8E4-24461-00-00 | PIPE, JOINT .....                        | 1   |         |
| 19       | 99510-12016-00  | PIN, DOWEL .....                         | 2   |         |
| 20       | J10-46319-01-00 | GASKET .....                             | 1   |         |
| 21       | 90340-14036-00  | PLUG, STRAIGHT SCREW ....                | 2   |         |
| 22       | 90430-14043-00  | GASKET .....                             | 2   |         |
| 23       | 90465-06100-00  | CLAMP .....                              | 1   |         |
| 24       | 835-47559-00-00 | CAP 2 .....                              | 1   |         |
| 25       | 97011-10020-00  | BOLT .....                               | 2   |         |
| 26       | 92990-10100-00  | WASHER, SPRING .....                     | 2   |         |
| 27       | 90465-08028-00  | CLAMP .....                              | 1   |         |
| 28       | 98580-06010-00  | SCREW, PAN HEAD .....                    | 1   |         |
| 29       | 92995-06100-00  | WASHER, SPRING<br>(92990-06100-00) ..... | 1   |         |

CONTINUED ON NEXT FRAME ➤

# TRANSMISSION 1 (J31-149551 ~ G1-AM ONI

| Ref. No. | Part Number     | Description                | Qty | Remarks |
|----------|-----------------|----------------------------|-----|---------|
| 30       | J10-46321-00-00 | SHAFT, INPUT .....         | 1   |         |
| 31       | J10-46331-02-00 | GEAR, IMPUT 1 .....        | 1   |         |
| 32       | 93410-25017-00  | CIRCLIP .....              | 1   |         |
| 33       | J10-46351-00-00 | SHAFT, COUNTER .....       | 1   |         |
| 34       | J10-46361-02-00 | GEAR, COUNTER 1 .....      | 1   |         |
| 35       | J17-46362-00-00 | GEAR, COUNTER 2 .....      | 1   |         |
| 36       | 90201-20272-00  | WASHER, PLATE .....        | 1   |         |
| 37       | J38-46411-01-00 | CASE, DIFFERENTIAL .....   | 1   |         |
| 38       | J41-46421-00-00 | GEAR, RING .....           | 1   |         |
| 39       | J38-46414-00-00 | GEAR, DIFFERENTIAL SIDE .. | 2   |         |
| 40       | J38-46415-00-00 | PINION, DIFFERENTIAL ..... | 2   |         |
| 41       | 90105-08390-00  | BOLT, WASHER BASED .....   | 4   |         |
| 42       | 99510-10114-00  | PIN, DOWEL .....           | 2   |         |
| 43       | J38-46417-02-00 | PIN, DIFFERENTIAL .....    | 1   |         |

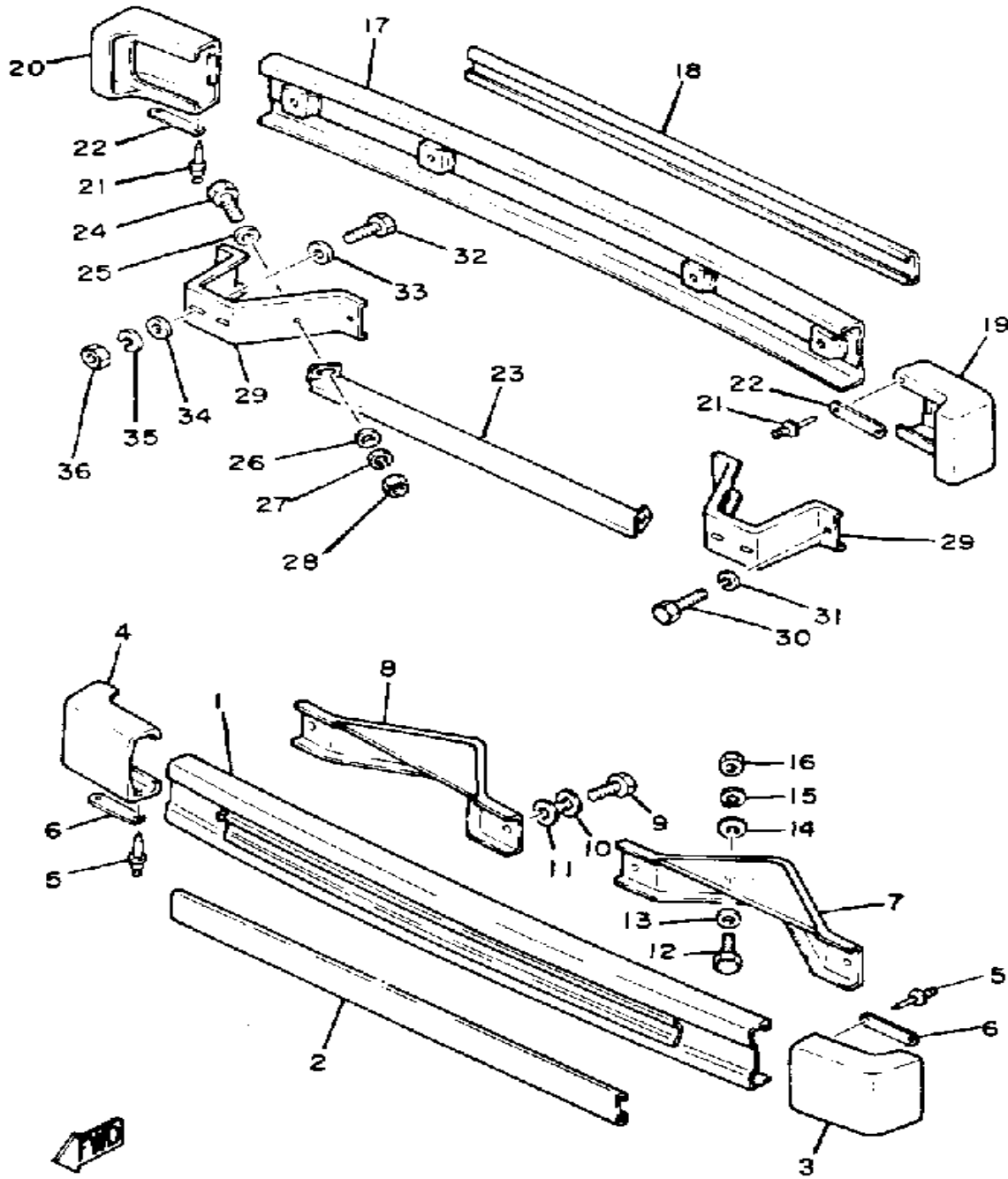
# REAR AXLE - WHEEL



| Ref. No. | Part Number     | Description          | Qty | Remarks       |
|----------|-----------------|----------------------|-----|---------------|
| 1        | *---            | BULB (12V-35/35W)    | 2   | LM (SEE NOTE) |
| 2        | 90179-12262-00  | NUT                  | 8   |               |
| 3        | J10-46540-00-00 | R.AXLE HOUSING 1COMP | 2   |               |
| 4        | 97013-08025-00  | BOLT                 | 12  |               |
| 5        | 92990-08100-00  | WASHER, PLAIN        | 12  |               |
| 6        | 97011-10020-00  | BOLT                 | 8   |               |
| 7        | 92990-10100-00  | WASHER, SPRING       | 8   |               |
| 8        | J17-46510-01-00 | REAR AXLE SHAFT 1    | 2   |               |
| 9        | J55-G6521-00-00 | DRUM                 | 2   |               |
| 10       | 90114-12004-00  | BOLT, RIBBED NECK    | 8   |               |

J24100-3230

# BUMBER

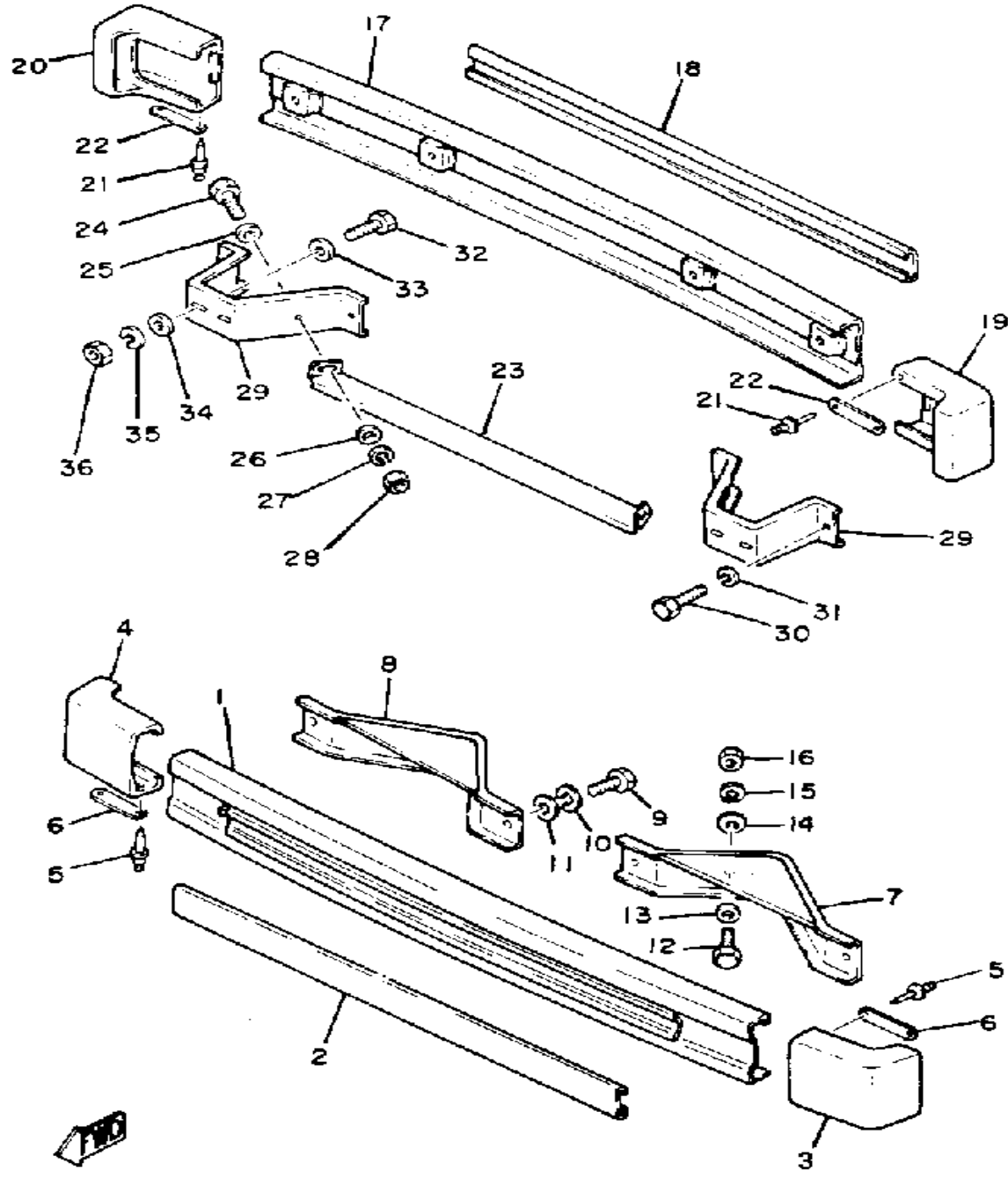


J24100-3240

| Ref. No. | Part Number     | Description                          | Qty | Remarks |
|----------|-----------------|--------------------------------------|-----|---------|
| 1        | J17-78106-00-00 | BUMPER SB/ASSEMBLY, FRT              | 1   |         |
| 2        | J17-78162-00-00 | PAD, FRONT BUMPER                    | 1   |         |
| 3        | J10-78167-01-00 | BUMPER, RUBBER 1                     | 1   |         |
| 4        | J10-78168-01-00 | BUMPER, RUBBER 2                     | 1   |         |
| 5        | 90267-40077-00  | RIVET, BLIND                         | 8   |         |
| 6        | J17-77525-00-00 | WASHER 1                             | 4   |         |
| 7        | J42-78164-00-00 | STAY, FRT BUMPER 1<br>(J17-78165-00) | 1   |         |
| 8        | J42-78164-00-00 | STAY, FRT BUMPER 1<br>(J17-78165-00) | 1   |         |
| 9        | 97313-08016-00  | BOLT, HEXAGON                        | 4   |         |
| 10       | 92990-08100-00  | WASHER, PLAIN                        | 4   |         |
| 11       | 92990-08600-00  | WASHER, PLATE                        | 4   |         |
| 12       | 97013-08025-00  | BOLT                                 | 4   |         |
| 13       | 92990-08600-00  | WASHER, PLATE                        | 4   |         |
| 14       | 90201-085E6-00  | WASHER PLATE (156-24186-00)          | 4   |         |
| 15       | 92990-08100-00  | WASHER, PLAIN                        | 4   |         |
| 16       | 95333-08600-00  | NUT (6L2)                            | 4   |         |
| 17       | J17-78107-00-00 | BUMPER SB/ASSEMBLY, RR               | 1   |         |
| 18       | J17-78162-00-00 | PAD, FRONT BUMPER                    | 1   |         |
| 19       | J10-78167-01-00 | BUMPER, RUBBER 1                     | 1   |         |
| 20       | J10-78168-01-00 | BUMPER, RUBBER 2                     | 1   |         |
| 21       | 90267-40077-00  | RIVET, BLIND                         | 8   |         |
| 22       | J17-77525-00-00 | WASHER 1                             | 4   |         |
| 23       | J10-78179-00-00 | PLATE, EXTENSION                     | 1   |         |
| 24       | 97011-08016-00  | BOLT                                 | 2   |         |
| 25       | 92990-08600-00  | WASHER, PLATE                        | 2   |         |
| 26       | 92990-08200-00  | WASHER, SPRING<br>(92902-08100)      | 2   |         |
| 27       | 92990-08100-00  | WASHER, PLAIN                        | 2   |         |

CONTINUED ON NEXT FRAME ►

# BUMBER

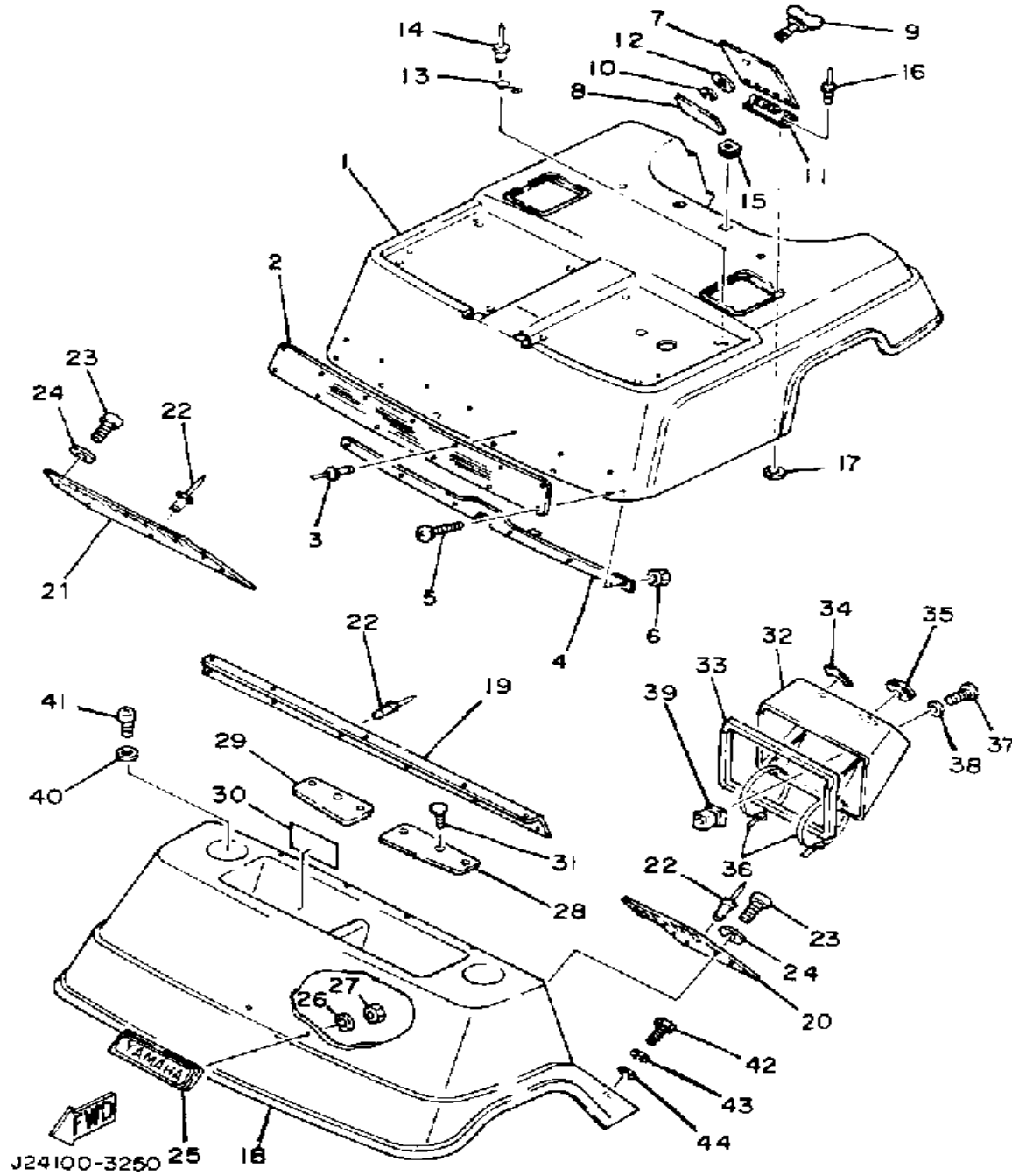


J24100-3240

| Ref. No. | Part Number     | Description                            | Qty | Remarks |
|----------|-----------------|--|-----|---------|
| 28       | 95303-08800-00  | NUT (CROWN) .....                      | 2   |         |
| 29       | J42-78174-00-00 | STAY, REAR BUMPER (J10-78174-01) ..... | 2   |         |
| 30       | 97313-08016-00  | BOLT, HEXAGON .....                    | 4   |         |
| 31       | 92990-08100-00  | WASHER, PLAIN .....                    | 4   |         |
| 32       | 97313-08020-00  | BOLT, HEXAGON .....                    | 4   |         |
| 33       | 92990-08600-00  | WASHER, PLATE .....                    | 4   |         |
| 34       | 92990-08200-00  | WASHER, SPRING (92902-08100) .....     | 4   |         |
| 35       | 92990-08100-00  | WASHER, PLAIN .....                    | 4   |         |
| 36       | 95333-08600-00  | NUT (6L2) .....                        | 4   |         |



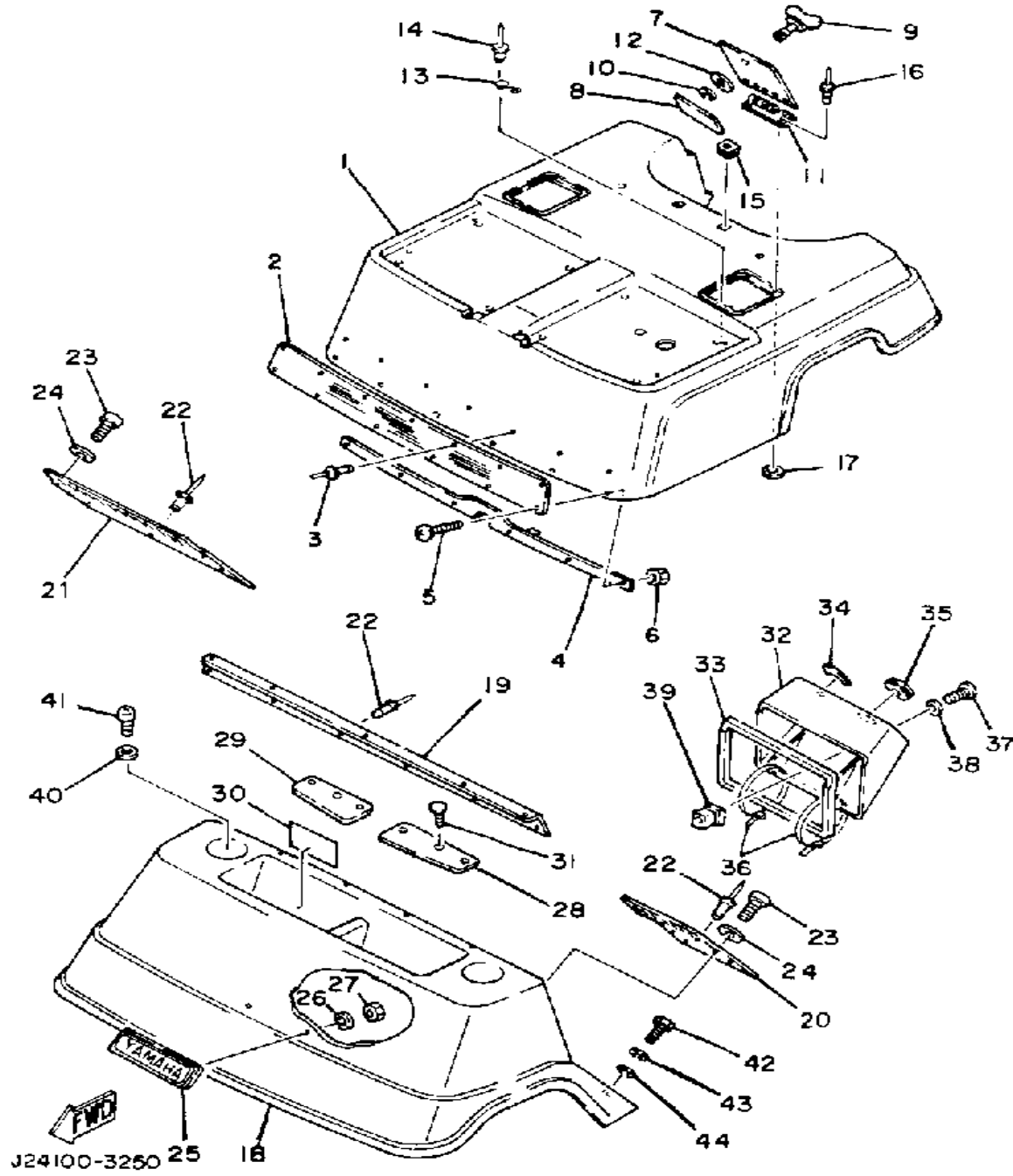
# BODY



| Ref. No. | Part Number     | Description       | Qty | Remarks |
|----------|-----------------|-------------------|-----|---------|
| 1        | J31-W7811-10-00 | PANEL, BODY SHELL | 1   |         |
| 2        | J10-78119-00-00 | PLATE 3           | 1   |         |
| 3        | 90267-40075-00  | RIVET, BLIND      | 7   |         |
| 4        | J17-78121-00-00 | REINFORCEMENT 1   | 1   |         |
| 5        | 98980-06016-00  | SCREW, BIND       | 6   |         |
| 6        | 95601-06200-00  | NUT, U FLANGE     | 6   |         |
| 7        | J17-78272-00-00 | COVER, FUEL INLET | 1   |         |
| 8        | J24-77764-00-00 | LABEL, WARNING 4  | 1   |         |
| 9        | J10-78238-01-00 | FASTENER, UPPER   | 1   |         |
| 10       | 99009-06600-00  | CIRCLIP           | 1   |         |
| 11       | J17-78275-00-00 | HINGE, FUEL INLET | 1   |         |
| 12       | 90201-08100-00  | WASHER, PLATE     | 1   |         |
| 13       | J10-78239-00-00 | FASTENER, LOWER   | 1   |         |
| 14       | 90267-32019-00  | RIVET, BLIND      | 2   |         |
| 15       | 90480-35242-00  | GROMMET           | 2   |         |
| 16       | 90267-40075-00  | RIVET, BLIND      | 2   |         |
| 17       | 90201-044H9-00  | WASHER, PLAIN     | 2   |         |
| 18       | J17-78115-90-00 | COWL, FRONT       | 1   |         |
| 19       | J17-77165-00-00 | TRIM 1            | 1   |         |
| 20       | J17-78232-00-00 | MAT, MAIN FLOOR 2 | 1   |         |
| 21       | J17-78233-00-00 | MAT, MAIN FLOOR 3 | 1   |         |
| 22       | 90267-63047-00  | RIVET, BLIND      | 24  |         |
| 23       | 90157-08028-00  | SCREW, PAN HEAD   | 2   |         |
| 24       | 90202-08134-00  | WASHER, plate     | 2   |         |
| 25       | J10-78291-00-00 | EMBLEM 1          | 1   |         |
| 26       | 92990-05200-00  | WASHER, PLAIN     | 2   |         |
| 27       | 95701-05300-00  | NUT, NYLON        | 2   |         |
| 28       | J17-77151-00-00 | PAD 1             | 1   |         |
| 29       | J17-77152-00-00 | PAD 2             | 1   |         |

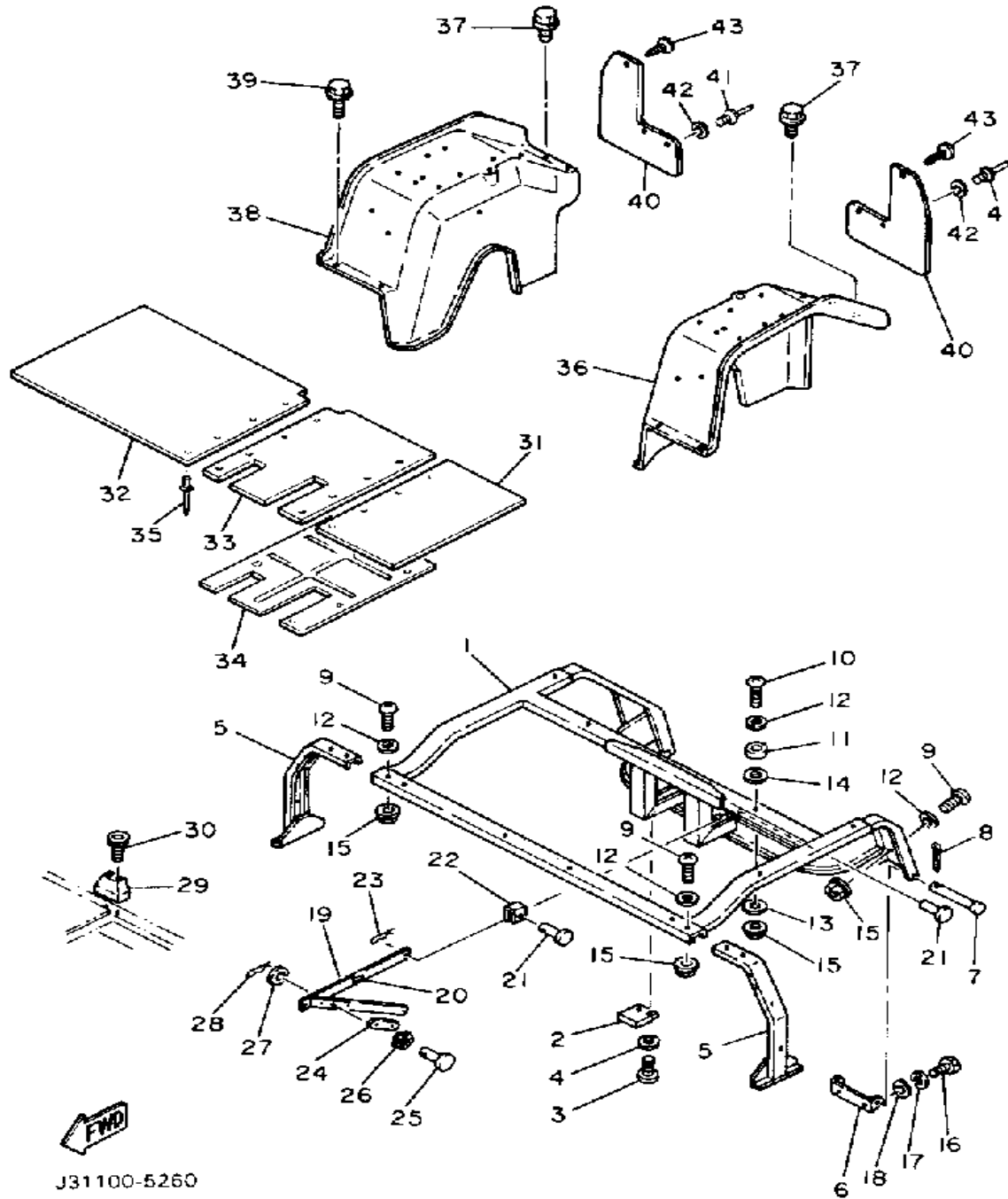
CONTINUED ON NEXT FRAME ►

# BODY



| Ref. No. | Part Number     | Description                           | Qty | Remarks |
|----------|-----------------|---------------------------------------|-----|---------|
| 30       | J10-77768-00-00 | LABEL, WARNING .....                  | 1   |         |
| 31       | 90269-06028-00  | RIVET .....                           | 2   |         |
| 32       | J10-77711-00-00 | PANEL, INSTRUMENT .....               | 1   |         |
| 33       | J10-78245-00-00 | SEAL 1 .....                          | 1   |         |
| 34       | J10-77741-00-00 | INDICATOR 1 .....                     | 1   |         |
| 35       | 90480-48243-00  | GROMMET .....                         | 1   |         |
| 36       | 80L-26397-00-00 | BAND .....                            | 2   |         |
| 37       | 97780-50130-00  | SCREW, TAPPING .....                  | 2   |         |
| 38       | 90201-05036-00  | WASHER, PLATE .....                   | 2   |         |
| 39       | 90480-07241-00  | GROMMET .....                         | 2   |         |
| 40       | 90201-08310-00  | WASHER, PLATE .....                   | 2   |         |
| 41       | 98980-08025-00  | SCREW, BIND .....                     | 2   |         |
| 42       | 97023-06020-00  | BOLT (3XF) (97302-06020) ....         | 3   |         |
| 43       | 92995-06100-00  | WASHER, SPRING (92990-06100-00) ..... | 3   |         |
| 44       | 90201-06075-00  | WASHER, PLATE .....                   | 3   |         |

# BODY FITTING

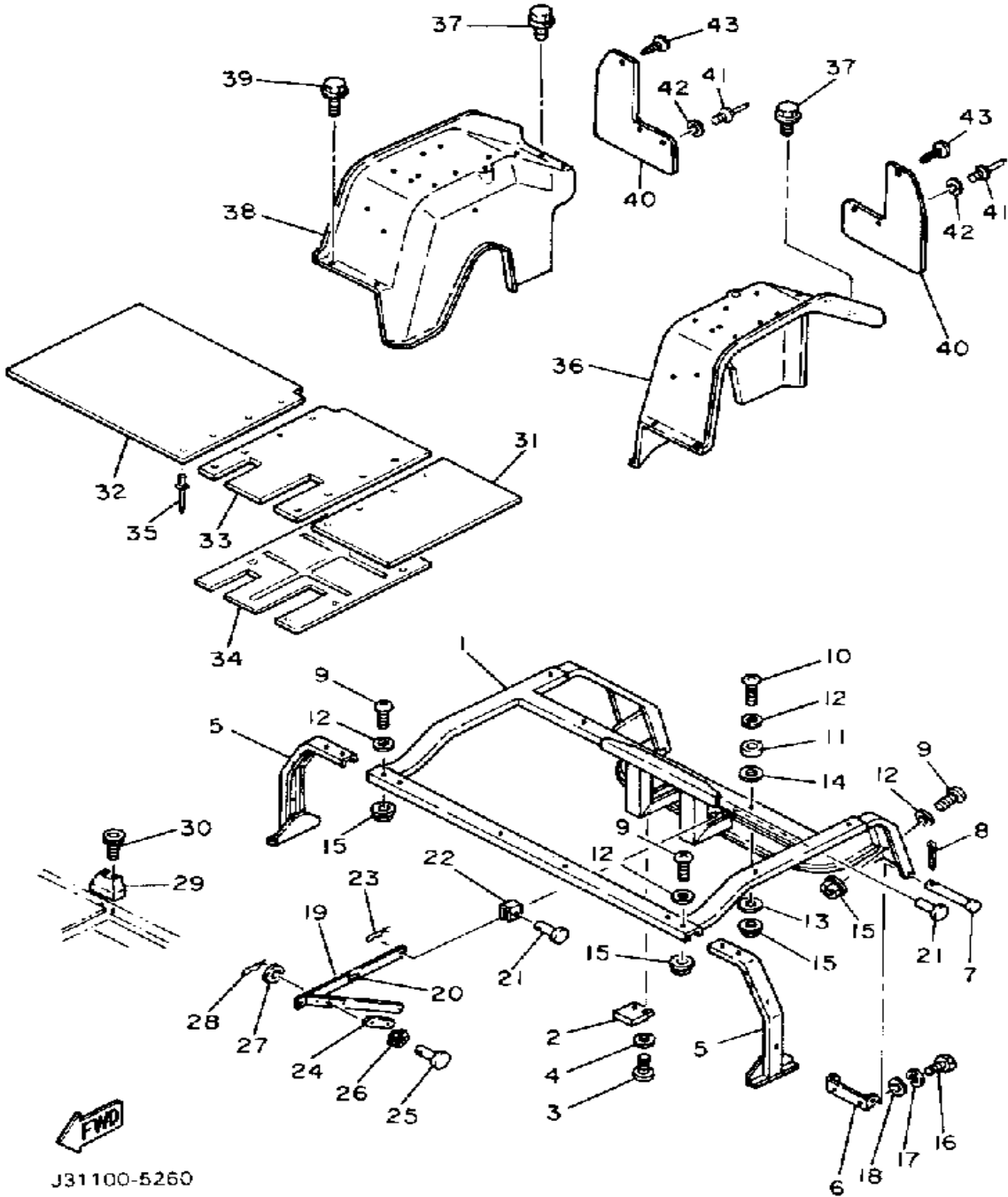


J31100-5260

| Ref. No. | Part Number     | Description        | Qty | Remarks |
|----------|-----------------|--------------------|-----|---------|
| 1        | J31-77145-00-00 | HINGE 1            | 1   |         |
| 2        | J17-78221-00-00 | SHEET, BODY MNTG 1 | 2   |         |
| 3        | 98501-05018-00  | SCREW, PAN HEAD    | 4   |         |
| 4        | 92901-05600-00  | WASHER, PLATE      | 4   |         |
| 5        | J31-78123-00-00 | REINFORCEMENT 3    | 2   |         |
| 6        | J10-77146-00-00 | HINGE 2            | 2   |         |
| 7        | 91701-08118-00  | PIN, CLEVIS        | 2   |         |
| 8        | 91401-25020-00  | PIN, COTTER        | 2   |         |
| 9        | 98980-06020-00  | SCREW, BIND        | 8   |         |
| 10       | 98980-06025-00  | SCREW, BIND        | 2   |         |
| 11       | 90202-08085-00  | WASHER, PLATE      | 2   |         |
| 12       | 90201-06697-00  | WASHER, PLATE      | 8   |         |
| 13       | 90201-06697-00  | WASHER, PLATE      | 2   |         |
| 14       | 90201-08730-00  | WASHER, PLATE      | 2   |         |
| 15       | 95601-06200-00  | NUT, U FLANGE      | 10  |         |
| 16       | 97313-08020-00  | BOLT, HEXAGON      | 4   |         |
| 17       | 92990-08100-00  | WASHER, PLAIN      | 4   |         |
| 18       | 92990-08600-00  | WASHER, PLATE      | 4   |         |
| 19       | J10-77125-00-00 | STAY 1             | 1   |         |
| 20       | J10-77766-00-00 | LABEL, WARNING 6   | 1   |         |
| 21       | 91701-08020-00  | PIN, CLEVIS        | 2   |         |
| 22       | J17-7712F-00-00 | STAY 1             | 2   |         |
| 23       | 90468-23108-00  | CLIP               | 2   |         |
| 24       | J10-77188-00-00 | STOPPER            | 1   |         |
| 25       | 91701-06012-00  | PIN, CLEVIS        | 1   |         |
| 26       | 90206-06090-00  | WASHER, WAVE       | 1   |         |
| 27       | 92990-06200-00  | WASHER, PLAIN      | 2   |         |
| 28       | 90468-10050-00  | CLIP               | 1   |         |
| 29       | J17-78156-00-00 | STOPPER, LOCK      | 1   |         |

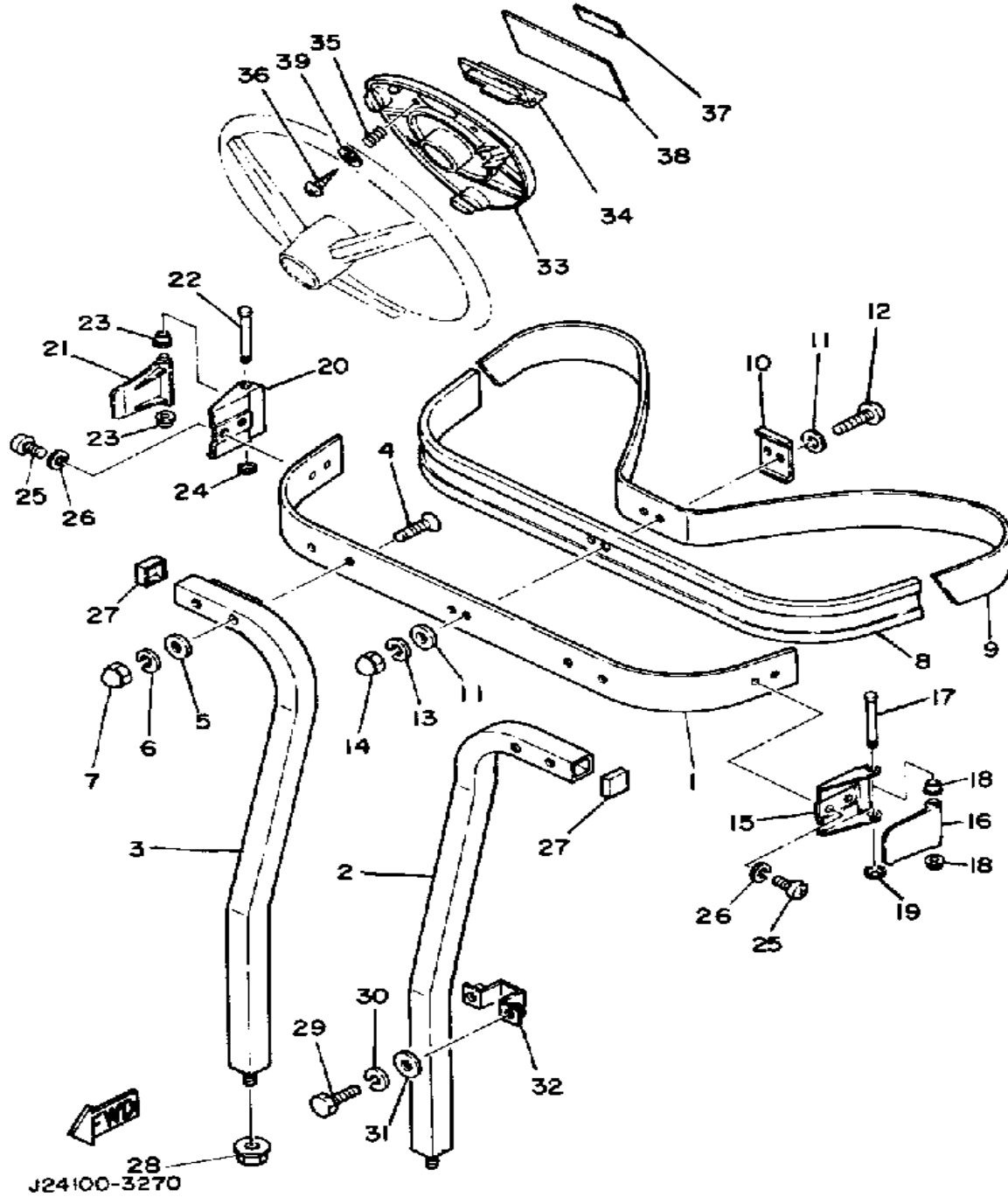
CONTINUED ON NEXT FRAME ►

# BODY FITTING



| Ref. No. | Part Number     | Description        | Qty | Remarks |
|----------|-----------------|--------------------|-----|---------|
| 30       | 91316-06035-00  | BOLT               | 2   |         |
| 31       | J31-78231-00-00 | MAT, MAIN FLOOR 1  | 1   |         |
| 32       | J31-78234-00-00 | MAT, MAIN FLOOR 4  | 1   |         |
| 33       | J31-78235-00-00 | SHEET, MAIN FLOOR  | 1   |         |
| 34       | J31-78271-00-00 | SERVICE LID, PEDAL | 1   |         |
| 35       | 90267-48086-00  | RIVET, BLIND       | 16  |         |
| 36       | J24-78191-00-00 | PANEL, RR FENDER 1 | 1   |         |
| 37       | 90119-06029-00  | BOLT, WITH WASHER  | 4   |         |
| 38       | J24-78192-00-00 | PANEL, RR FENDER 2 | 1   |         |
| 39       | 90119-06029-00  | BOLT, WITH WASHER  | 4   |         |
| 40       | J24-78199-00-00 | FLAP, REAR 2       | 2   |         |
| 41       | 90267-40075-00  | RIVET, BLIND       | 4   |         |
| 42       | 90201-05034-00  | WASHER, PLATE      | 4   |         |
| 43       | 90269-06028-00  | RIVET              | 2   |         |

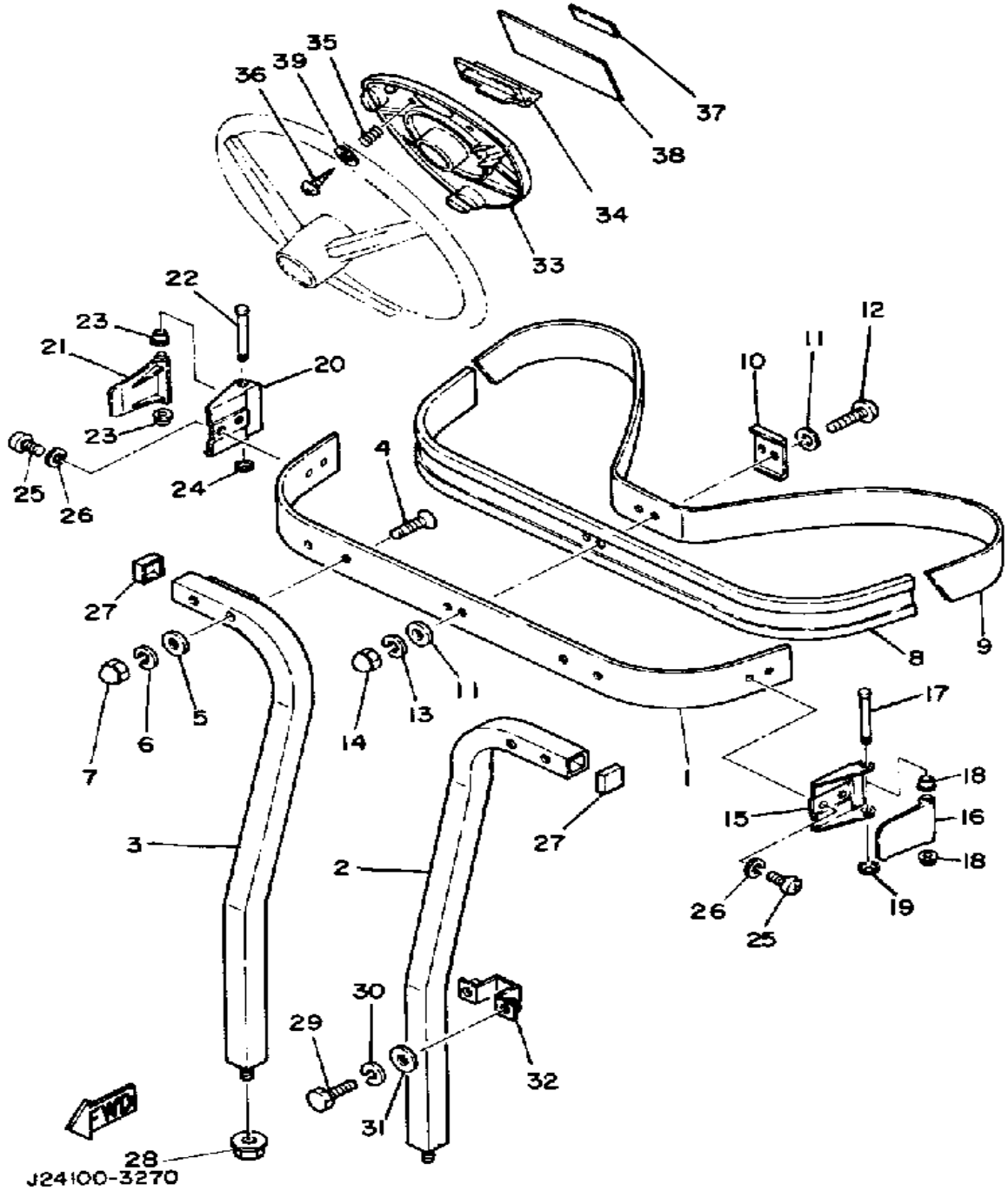
# CARRIER



| Ref. No. | Part Number     | Description                             | Qty | Remarks     |
|----------|-----------------|---|-----|-------------|
| 1        | J42-78351-00-00 | SUPPORT, BAG UPPER<br>(J10-78351-00-9E) | 1   | IVORY WHITE |
| 2        | J10-78352-00-00 | SUPPORT, BAG LWR 1<br>(J10-78352-00-9E) | 1   | IVORY WHITE |
| 3        | J10-78353-00-00 | SUPPORT, BAG LWR 2<br>(J10-78353-00-9E) | 1   | IVORY WHITE |
| 4        | 98701-08045-00  | SCREW, FLAT HEAD<br>(92701-08045)       | 4   |             |
| 5        | 90202-08022-00  | WASHER, PLATE                           | 4   |             |
| 6        | 92990-08100-00  | WASHER, PLAIN                           | 4   |             |
| 7        | 95380-08800-00  | NUT, CROWN                              | 4   |             |
| 8        | J10-78356-00-00 | PAD, BAG SUPPORT                        | 1   |             |
| 9        | J10-78355-00-00 | BAND                                    | 1   |             |
| 10       | J10-78367-00-00 | PLATE, ANCHOR                           | 1   |             |
| 11       | 92990-06200-00  | WASHER, PLAIN                           | 4   |             |
| 12       | 98-98006-10-60  | UNAVAILABLE IN PRICE BOOK               | 2   |             |
| 13       | 92995-06100-00  | WASHER, SPRING<br>(92990-06100-00)      | 2   |             |
| 14       | 95380-06800-00  | NUT                                     | 2   |             |
| 15       | J17-78157-01-00 | BASE, LOCK                              | 1   |             |
| 16       | J17-78368-01-00 | LEVER, LOCK                             | 1   |             |
| 17       | J17-78369-00-00 | PIN, LEVER                              | 1   |             |
| 18       | 90386-06108-00  | BUSH                                    | 2   |             |
| 19       | 99080-05600-00  | CIRCLIP (93430-05027-00)                | 1   |             |
| 20       | J17-78157-01-00 | BASE, LOCK                              | 1   |             |
| 21       | J17-78368-01-00 | LEVER, LOCK                             | 1   |             |
| 22       | J17-78369-00-00 | PIN, LEVER                              | 1   |             |
| 23       | 90386-06108-00  | BUSH                                    | 2   |             |
| 24       | 99080-05600-00  | CIRCLIP (93430-05027-00)                | 1   |             |
| 25       | 98580-06010-00  | SCREW, PAN HEAD                         | 4   |             |

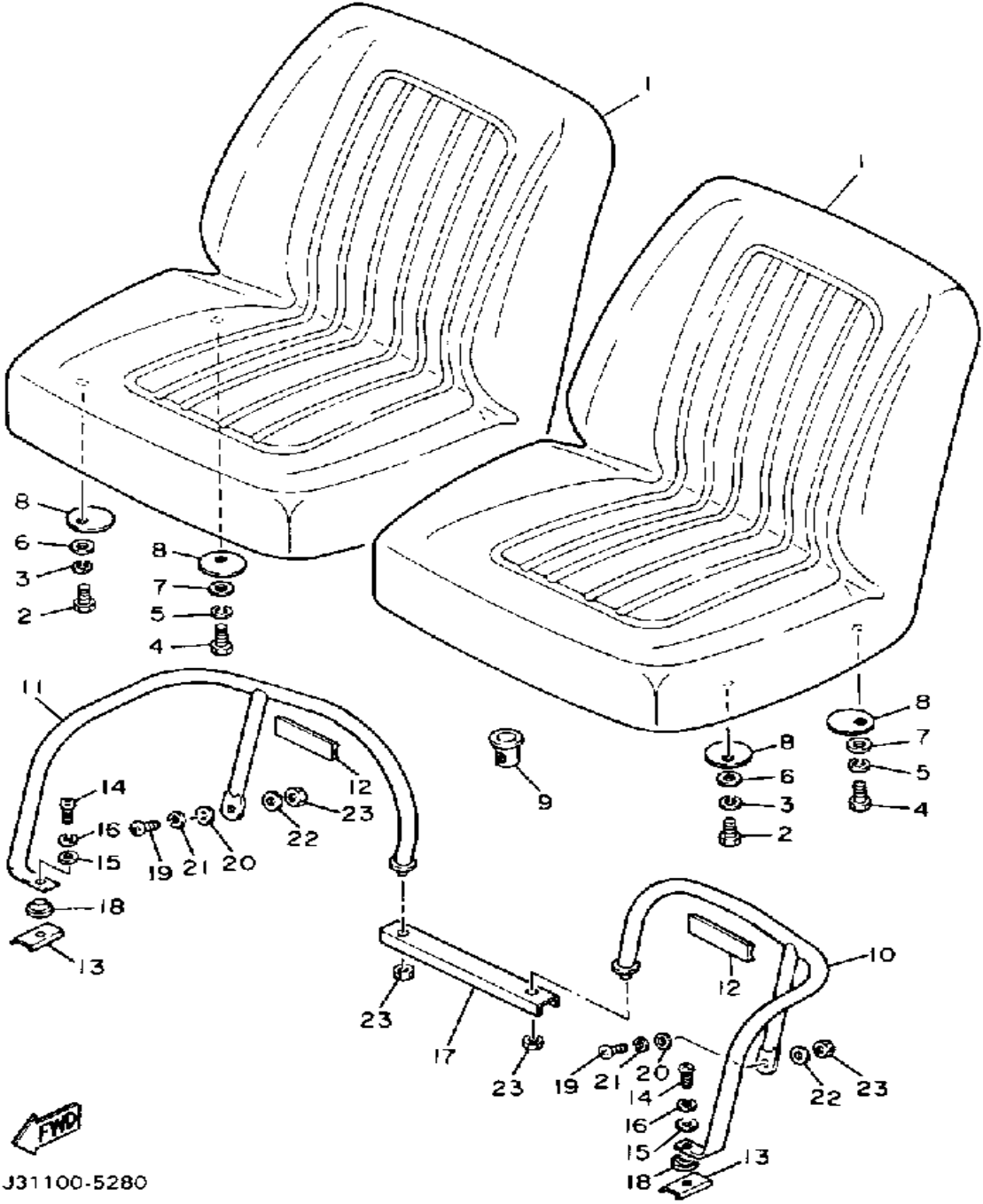
CONTINUED ON NEXT FRAME ►

# CARRIER



| Ref. No. | Part Number     | Description                     | Qty | Remarks |
|----------|-----------------|---------------------------------|-----|---------|
| 26       | 92995-06100-00  | WASHER, SPRING (92990-06100-00) | 4   |         |
| 27       | J10-78139-00-00 | CAP, END                        | 2   |         |
| 28       | 95601-10200-00  | NUT, SELF-LOCKING               | 2   |         |
| 29       | 97313-06065-00  | BOLT, HEXAGON                   | 4   |         |
| 30       | 92995-06100-00  | WASHER, SPRING (92990-06100-00) | 4   |         |
| 31       | 92990-06600-00  | WASHER, PLATE                   | 4   |         |
| 32       | J10-78366-01-00 | CLAMP, SUPPORT                  | 2   |         |
| 33       | J10-78357-01-00 | HOLDER 1                        | 1   |         |
| 34       | J10-78358-00-00 | HOLDER 2                        | 1   |         |
| 35       | 90502-10013-00  | SPRING, CONICAL                 | 2   |         |
| 36       | 97780-50125-00  | SCREW, TAPPING                  | 2   |         |
| 37       | J10-78292-00-00 | EMBLEM 2                        | 1   |         |
| 38       | J10-77762-01-00 | LABEL, WARNING 2                | 1   |         |
| 39       | 92901-05600-00  | WASHER, PLATE                   | 2   |         |

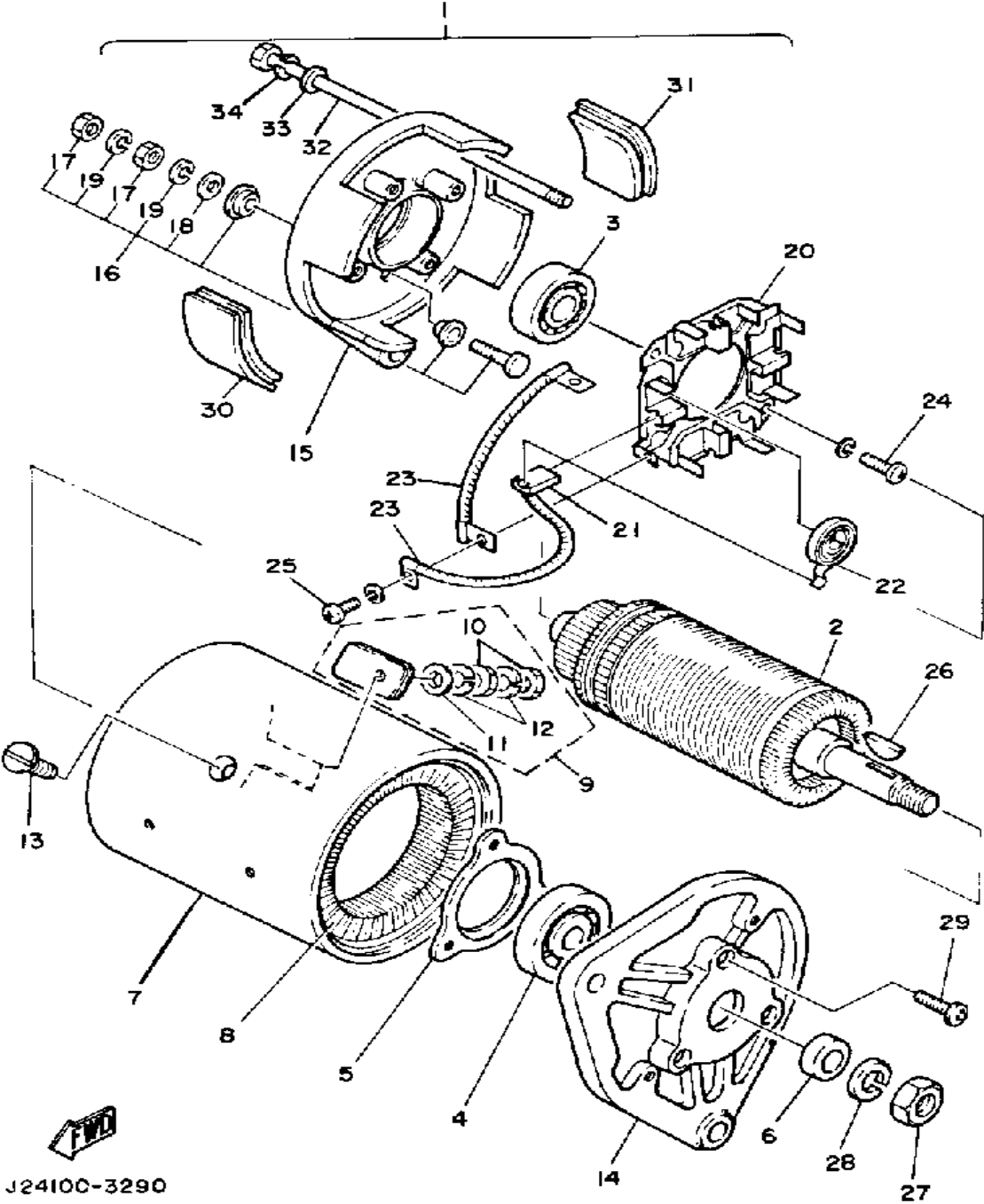
# SEAT



J31100-5280

| Ref. No. | Part Number     | Description                           | Qty | Remarks |
|----------|-----------------|---------------------------------------|-----|---------|
| 1        | J36-78401-90-00 | SEAT SB/ASSEMBLY, CSHN (J24-78401-01) | 2   |         |
| 2        | 97001-08025-00  | BOLT (1NV)                            | 4   |         |
| 3        | 92990-08100-00  | WASHER, PLAIN                         | 4   |         |
| 4        | 97313-08030-00  | BOLT, HEXAGON                         | 4   |         |
| 5        | 92990-08100-00  | WASHER, PLAIN                         | 4   |         |
| 6        | 90201-08310-00  | WASHER, PLATE                         | 4   |         |
| 7        | 90201-087F0-00  | WASHER, PLATE                         | 4   |         |
| 8        | J10-78439-00-00 | WASHER, SEAT                          | 8   |         |
| 9        | 90480-35346-00  | GROMMET                               | 2   |         |
| 10       | J24-78361-00-00 | ARM REST 1                            | 1   |         |
| 11       | J24-78362-00-00 | ARM REST 2                            | 1   |         |
| 12       | J24-78348-00-00 | SPACER, ARM REST                      | 2   |         |
| 13       | J24-78347-00-00 | SPACER, ARMREST                       | 2   |         |
| 14       | 98502-08030-00  | SCREW, PAN HEAD (92502-08030)         | 2   |         |
| 15       | 92990-08600-00  | WASHER, PLATE                         | 2   |         |
| 16       | 92990-08100-00  | WASHER, PLAIN                         | 2   |         |
| 17       | J24-78346-00-00 | SUPPORT ARM REST                      | 1   |         |
| 18       | J24-78345-00-00 | WASHER, ARM REST                      | 2   |         |
| 19       | 98501-08025-00  | SCREW, PAN HEAD                       | 2   |         |
| 20       | 92990-08600-00  | WASHER, PLATE                         | 2   |         |
| 21       | 92990-08100-00  | WASHER, PLAIN                         | 2   |         |
| 22       | 90201-08310-00  | WASHER, PLATE                         | 2   |         |
| 23       | 95611-08100-00  | NUT, U                                | 4   |         |

# STARTING MOTOR



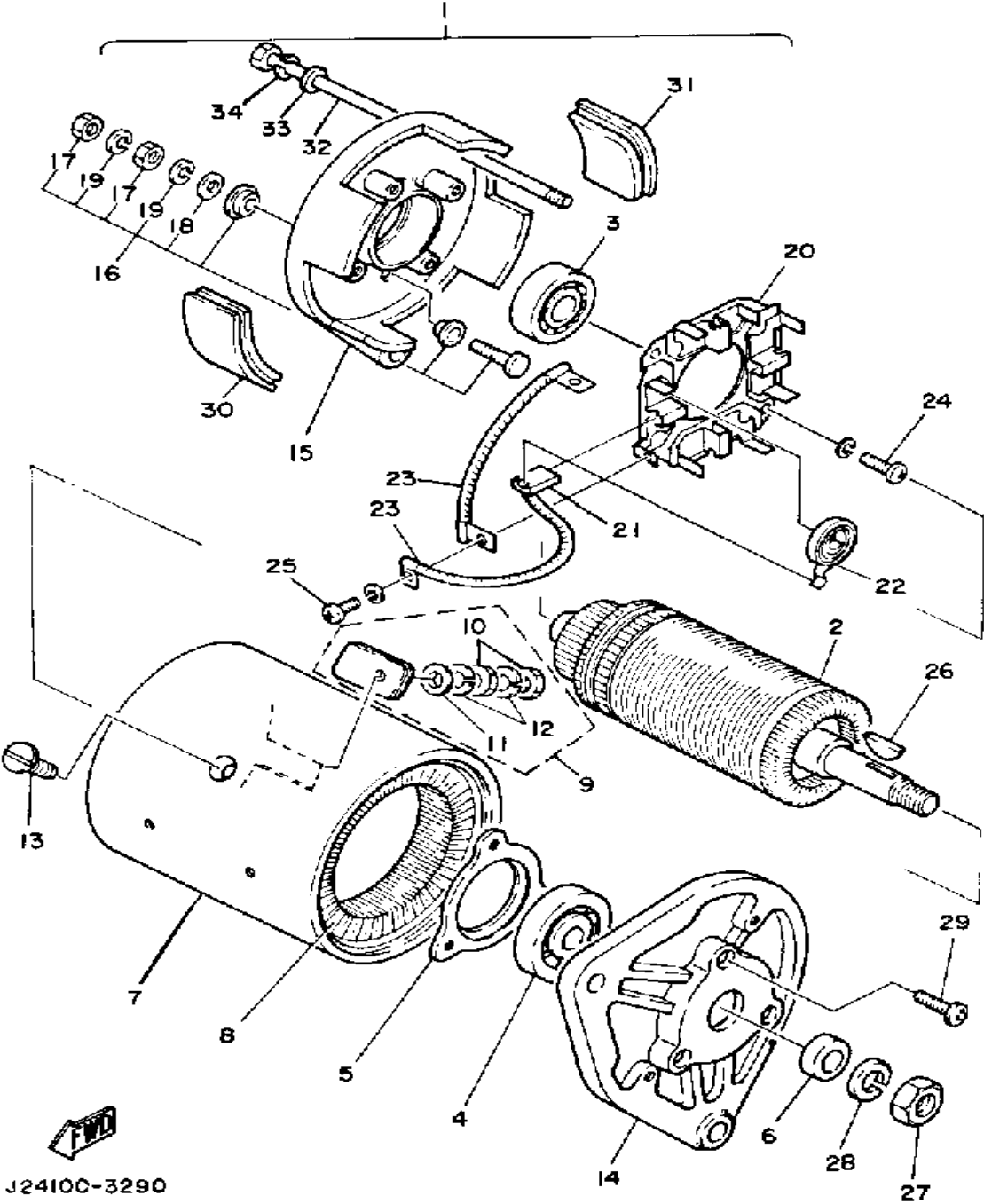
J24100-3290

| Ref. No. | Part Number     | Description                       | Qty | Remarks |
|----------|-----------------|-----------------------------------|-----|---------|
| 1        | J10-81100-10-00 | STARTER GEN ASSEMBLY ASSY         | 1   |         |
| 2        | J10-81150-10-00 | . ARMATURE ASSEMBLY               | 1   |         |
| 3        | J10-81157-10-00 | . BEARING 1 (6202 SD)             | 1   |         |
| 4        | J10-81158-10-00 | . BEARING 2 (6203 SD)             | 1   |         |
| 5        | J10-81159-10-00 | . HOLDER, BEARING                 | 1   |         |
| 6        | J10-81175-10-00 | . STOPPER 1                       | 1   |         |
| 7        | J10-81110-10-00 | . STATOR ASSEMBLY                 | 1   |         |
| 8        | J10-81160-10-00 | . FIELD COIL ASSEMBLY             | 1   |         |
| 9        | J10-81148-10-00 | . SCREW                           | 2   |         |
| 10       | 95380-06600-00  | . NUT (95303-06600)               | 4   |         |
| 11       | 90201-061A5-00  | . WASHER, PLATE                   | 2   |         |
| 12       | 92995-06100-00  | . WASHER, SPRING (92990-06100-00) | 4   |         |
| 13       | J10-81146-10-00 | . SCREW                           | 4   |         |
| 14       | J10-81165-10-00 | . BRKT, STARTER GEN 1 GENERATOR 1 | 1   |         |
| 15       | J10-81166-10-00 | . BRACKET, STARTER GENERATOR      | 1   |         |
| 16       | J10-81147-10-00 | . SCREW                           | 2   |         |
| 17       | 95380-06600-00  | . NUT (95303-06600)               | 4   |         |
| 18       | 90201-061A5-00  | . WASHER, PLATE                   | 2   |         |
| 19       | 92995-06100-00  | . WASHER, SPRING (92990-06100-00) | 4   |         |
| 20       | J10-81119-10-00 | . BRUSH HOLDER ASSEMBLY           | 1   |         |
| 21       | J10-81111-10-00 | . BRUSH                           | 4   |         |
| 22       | J10-81113-10-00 | . SPRING, BRUSH                   | 4   |         |
| 23       | J10-81115-10-00 | . WIRE, LEAD                      | 2   |         |
| 24       | 98580-05016-00  | . SCREW, PAN HEAD                 | 2   |         |
| 25       | 98580-04010-00  | . SCREW, PAN HEAD                 | 4   |         |

CONTINUED ON NEXT FRAME ➤

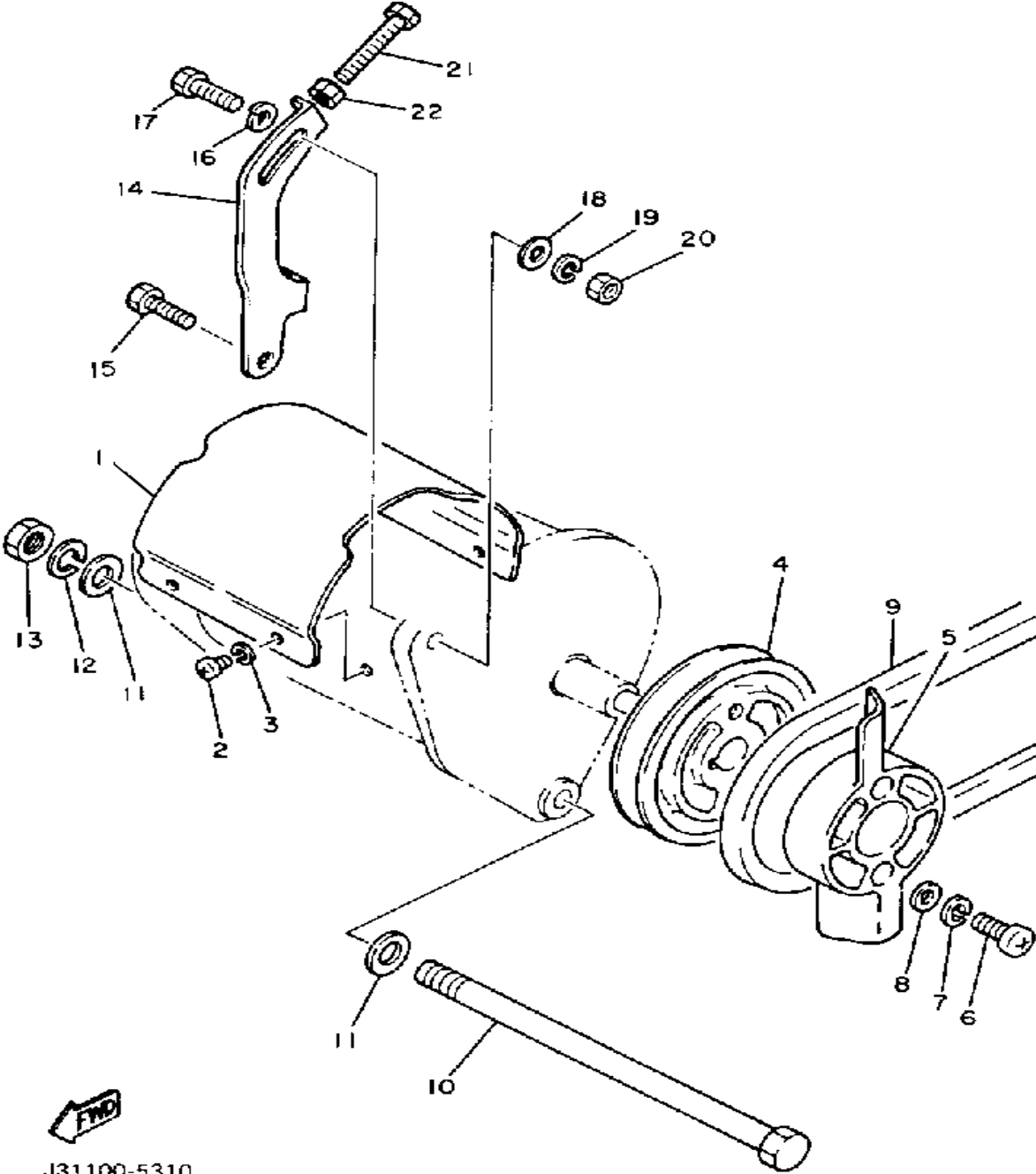


# STARTING MOTOR



| Ref. No. | Part Number     | Description                             | Qty | Remarks |
|----------|-----------------|---|-----|---------|
| 26       | J38-81163-10-00 | . KEY .....                             | 1   |         |
| 27       | 95301-14700-00  | . NUT .....                             | 1   |         |
| 28       | 92901-14100-00  | . WASHER, SPRING .....                  | 1   |         |
| 29       | 98501-05018-00  | . SCREW, PAN HEAD .....                 | 3   |         |
| 30       | J10-81129-10-00 | . COVER, BRUSH .....                    | 3   |         |
| 31       | J10-81129-10-00 | . COVER, BRUSH .....                    | 1   |         |
| 32       | J10-81145-10-00 | . SCREW .....                           | 2   |         |
| 33       | 90201-061A5-00  | . WASHER, PLATE .....                   | 2   |         |
| 34       | 92995-06100-00  | . WASHER, SPRING (92990-06100-00) ..... | 2   |         |

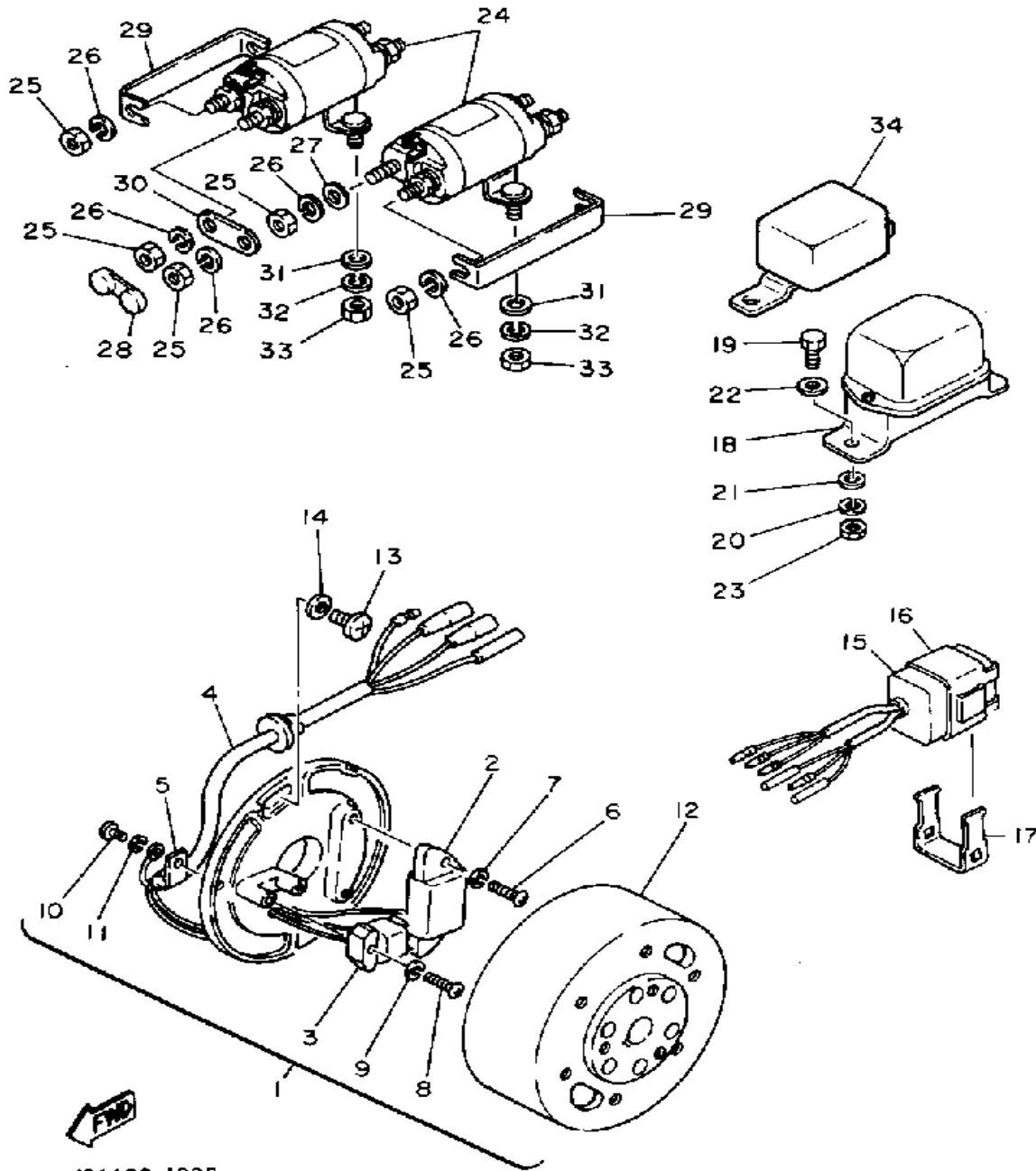
# STARTER PULLEY



J31100-5310

| Ref. No. | Part Number     | Description                      | Qty | Remarks |
|----------|-----------------|----------------------------------|-----|---------|
| 1        | J17-87183-00-00 | INSULATOR, GEN                   | 1   |         |
| 2        | 98580-05010-00  | SCREW, PAN HEAD                  | 4   |         |
| 3        | 92990-05100-00  | WASHER, SPRING                   | 4   |         |
| 4        | J10-81161-01-00 | PULLEY                           | 1   |         |
| 5        | J10-87172-00-00 | FAN, GENERATOR                   | 1   |         |
| 6        | 98511-06025-00  | SCREW PAN HEAD                   | 2   |         |
| 7        | 92995-06100-00  | WASHER, SPRING (92990-06100-00)  | 2   |         |
| 8        | 92990-06600-00  | WASHER, PLATE                    | 2   |         |
| 9        | J10-81173-00-XX | BELT                             | 1   |         |
| 10       | 90101-12545-00  | BOLT                             | 1   |         |
| 11       | 92990-12600-00  | WASHER, PLATE (92902-12600)      | 2   |         |
| 12       | 92901-12100-00  | WASHER, SPRING                   | 1   |         |
| 13       | 95303-12600-00  | NUT                              | 1   |         |
| 14       | J17-81170-00-00 | TENSIONER ASSEMBLY (92902-08100) | 1   |         |
| 17       | 90109-08653-00  | BOLT                             | 1   |         |
| 18       | 92990-08600-00  | WASHER, PLATE                    | 1   |         |
| 19       | 92990-08100-00  | WASHER, PLAIN                    | 1   |         |
| 20       | 95333-08600-00  | NUT (6L2)                        | 1   |         |
| 21       | 90101-06410-00  | BOLT                             | 1   |         |
| 22       | 95380-06700-00  | NUT (95303-06700-00)             | 1   |         |

# MAGNETO

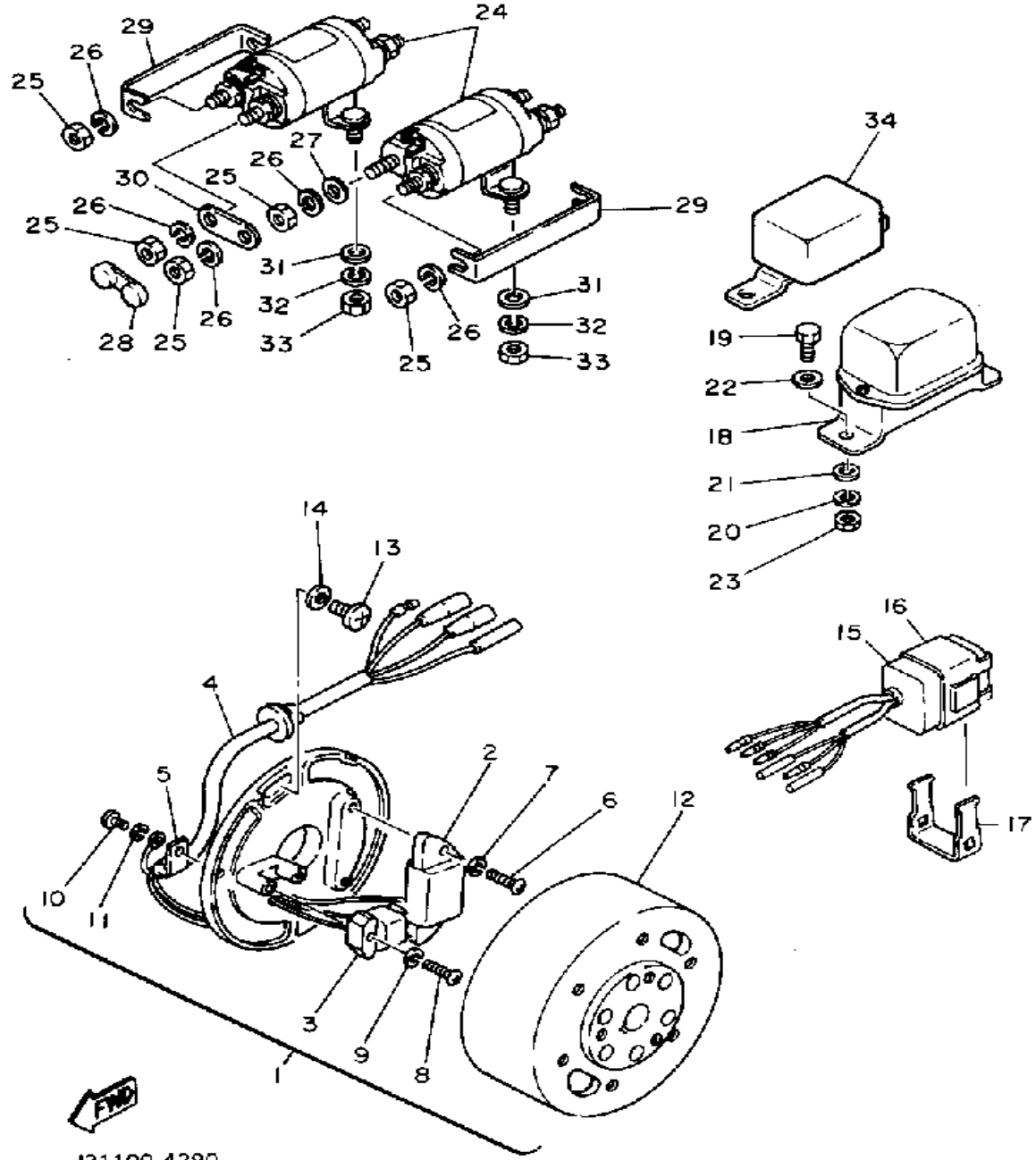


J31100-4290

| Ref. No. | Part Number     | Description                                 | Qty | Remarks |
|----------|-----------------|---|-----|---------|
| 1        | J10-85500-20-00 | CDI MAGNETO ASSEMBLY ...                    | 1   |         |
| 2        | 8G8-85511-20-00 | . COIL SOURCE 1 .....                       | 1   |         |
| 3        | J10-85580-20-00 | . COIL, PULSER .....                        | 1   |         |
| 4        | J10-85515-20-00 | . LEAD WIRE ASSEMBLY ....                   | 1   |         |
| 5        | 104-81328-20-00 | . CLAMP .....                               | 2   |         |
| 6        | 98580-05020-00  | . SCREW, PAN HEAD .....                     | 2   |         |
| 7        | 92990-05100-00  | . WASHER, SPRING .....                      | 2   |         |
| 8        | 98511-04020-00  | . SCREW, PAN HEAD .....                     | 2   |         |
| 9        | 92901-04600-00  | . WASHER .....                              | 2   |         |
| 10       | 98580-04008-00  | . SCREW, PAN HEAD<br>(98501-04008-00) ..... | 1   |         |
| 11       | 92901-04600-00  | . WASHER .....                              | 1   |         |
| 12       | J10-85550-20-00 | . ROTOR ASSEMBLY .....                      | 1   |         |
| 13       | 98980-06016-00  | SCREW, BIND .....                           | 2   |         |
| 14       | 90201-06043-00  | WASHER, PLATE .....                         | 2   |         |
| 15       | J10-85540-20-00 | CDI UNIT ASSEMBLY .....                     | 1   |         |
| 16       | 2A7-85546-00-00 | BAND .....                                  | 1   |         |
| 17       | 82M-21245-00-00 | BOX .....                                   | 1   |         |
| 18       | J10-81910-10-00 | VOLTAGE REG<br>ASSEMBLY ASS'Y .....         | 1   |         |
| 19       | 97313-06016-00  | BOLT, HEXAGON .....                         | 2   |         |
| 20       | 92995-06100-00  | WASHER, SPRING<br>(92990-06100-00) .....    | 2   |         |
| 21       | 90201-061A5-00  | WASHER, PLATE .....                         | 2   |         |
| 22       | 90201-06043-00  | WASHER, PLATE .....                         | 2   |         |
| 23       | 95380-06600-00  | NUT (95303-06600) .....                     | 2   |         |
| 24       | J17-81950-01-00 | RELAY ASSEMBLY .....                        | 2   |         |
| 25       | 95303-08700-00  | . NUT .....                                 | 8   |         |
| 26       | 92990-08100-00  | . WASHER, PLAIN .....                       | 8   |         |
| 27       | 92901-08600-00  | . WASHER, PLATE .....                       | 4   |         |

CONTINUED ON NEXT FRAME ►

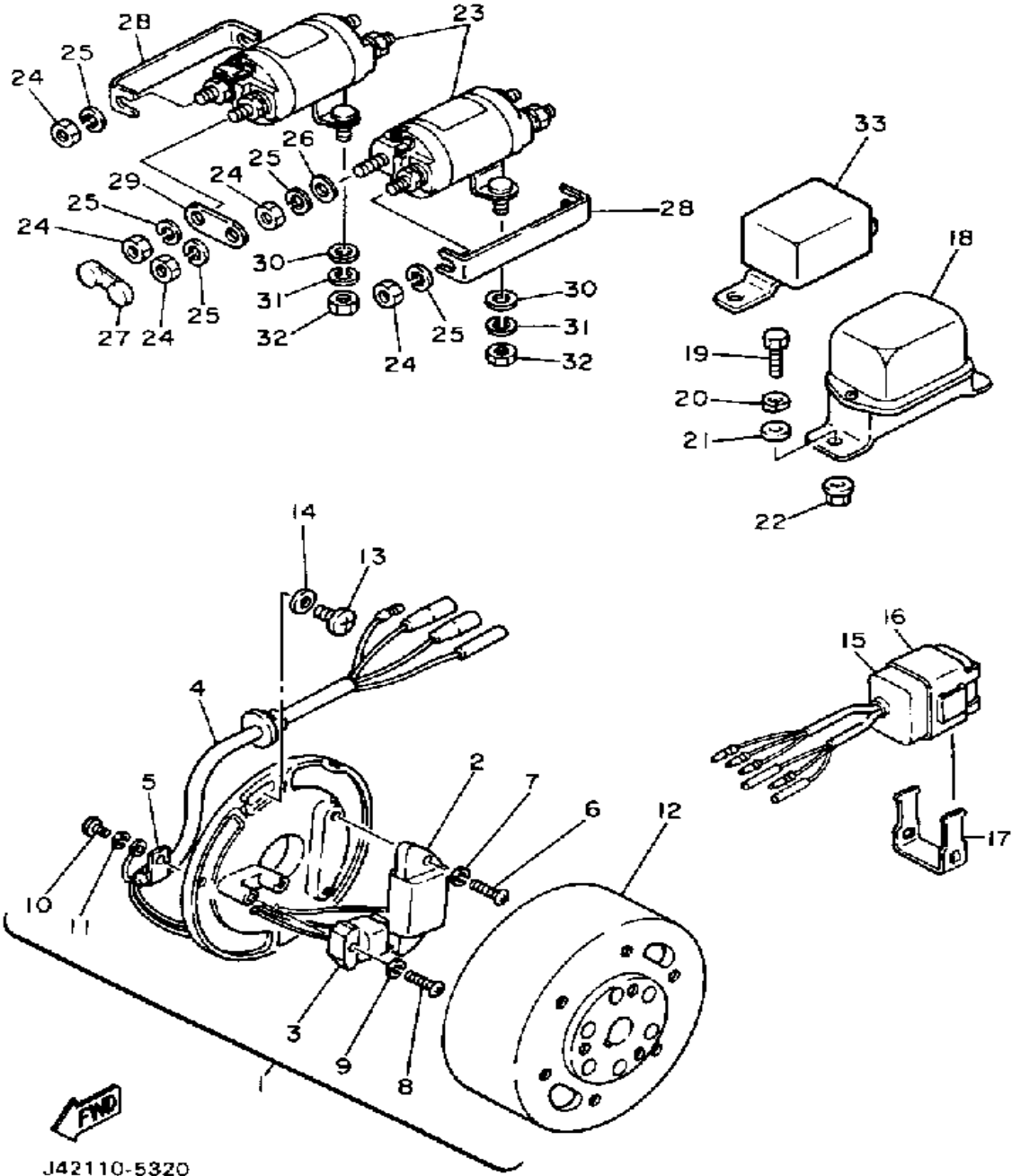
# MAGNETO



| Ref. No. | Part Number     | Description                        | Qty | Remarks |
|----------|-----------------|------------------------------------|-----|---------|
| 28       | J24-82532-00-00 | CAP .....                          | 4   |         |
| 29       | J17-86126-00-00 | PLATE, CONNECTING 1 .....          | 2   |         |
| 30       | J17-86127-00-00 | PLATE, CONNECTING 2 .....          | 2   |         |
| 31       | 92990-08200-00  | WASHER, SPRING (92902-08100) ..... | 4   |         |
| 32       | 92990-08100-00  | WASHER, PLAIN .....                | 4   |         |
| 33       | 95333-08600-00  | NUT (6L2) .....                    | 4   |         |
| 34       | J27-81950-01-00 | RELAY ASSEMBLY. ....               | 1   |         |

J31100-4290

# MAGNETO (G1-AM)

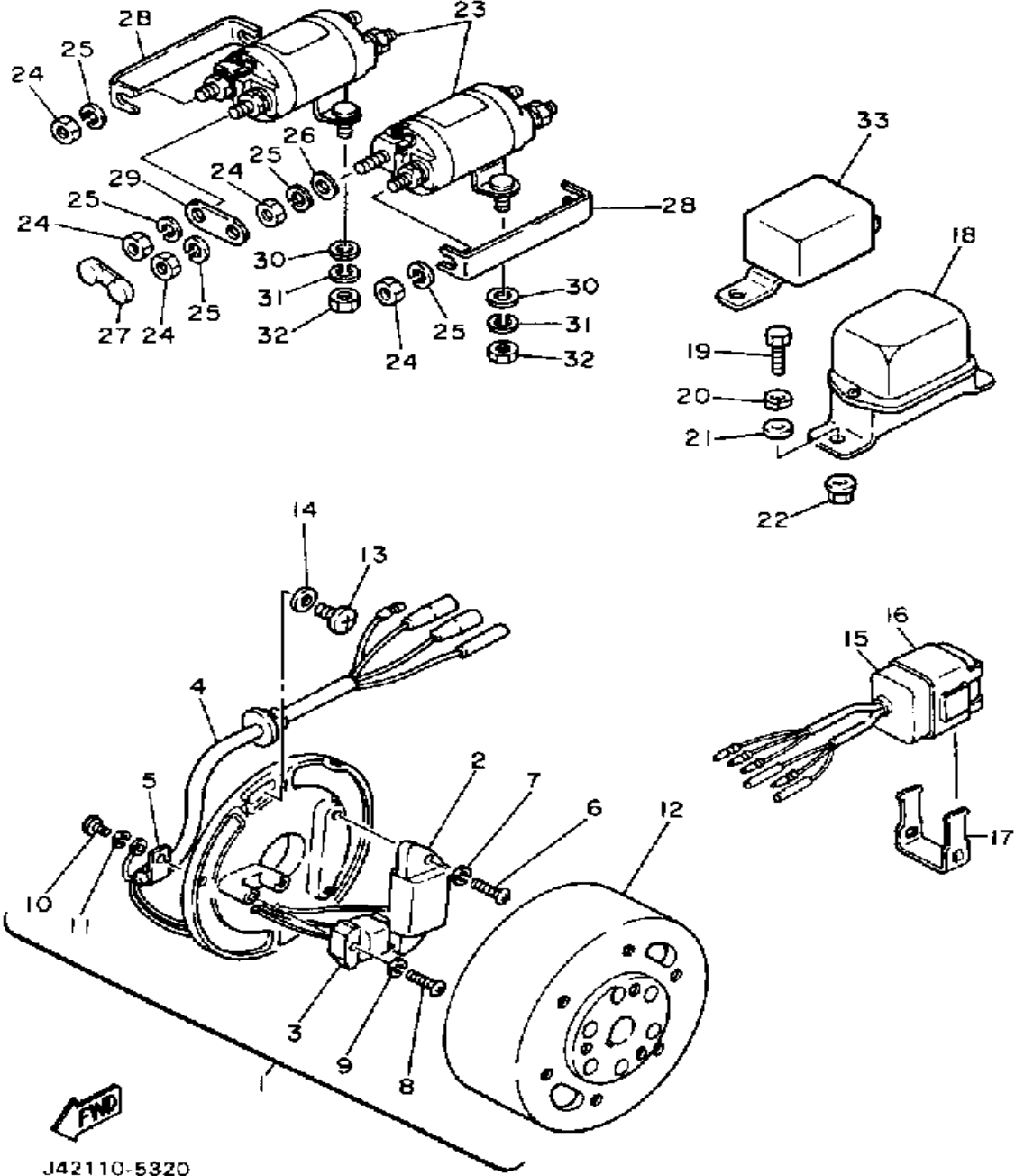


| Ref. No. | Part Number     | Description                                 | Qty | Remarks |
|----------|-----------------|---|-----|---------|
| 1        | J10-85500-20-00 | CDI MAGNETO ASSEMBLY ...                    | 1   |         |
| 2        | 8G8-85511-20-00 | . COIL SOURCE 1 .....                       | 1   |         |
| 3        | J10-85580-20-00 | . COIL, PULSER .....                        | 1   |         |
| 4        | J10-85515-20-00 | . LEAD WIRE ASSEMBLY ....                   | 1   |         |
| 5        | 104-81328-20-00 | . CLAMP .....                               | 2   |         |
| 6        | 98580-05020-00  | . SCREW, PAN HEAD .....                     | 2   |         |
| 7        | 92990-05100-00  | . WASHER, SPRING .....                      | 2   |         |
| 8        | 98511-04020-00  | . SCREW, PAN HEAD .....                     | 2   |         |
| 9        | 92901-04600-00  | . WASHER .....                              | 2   |         |
| 10       | 98580-04008-00  | . SCREW, PAN HEAD<br>(98501-04008-00) ..... | 1   |         |
| 11       | 92901-04600-00  | . WASHER .....                              | 1   |         |
| 12       | J10-85550-20-00 | . ROTOR ASSEMBLY .....                      | 1   |         |
| 13       | 98980-06016-00  | SCREW, BIND .....                           | 2   |         |
| 14       | 90201-06043-00  | WASHER, PLATE .....                         | 2   |         |
| 15       | J10-85540-20-00 | CDI UNIT ASSEMBLY .....                     | 1   |         |
| 16       | 2A7-85546-00-00 | BAND .....                                  | 1   |         |
| 17       | 82M-21245-00-00 | BOX .....                                   | 1   |         |
| 18       | J10-81910-10-00 | VOLTAGE REG<br>ASSEMBLY ASS'Y .....         | 1   |         |
| 19       | 97313-06016-00  | BOLT, HEXAGON .....                         | 2   |         |
| 20       | 92995-06100-00  | WASHER, SPRING<br>(92990-06100-00) .....    | 2   |         |
| 21       | 92990-06600-00  | WASHER, PLATE .....                         | 2   |         |
| 22       | 95702-06600-00  | NUT, FLANGE .....                           | 2   |         |
| 23       | J17-81950-01-00 | RELAY ASSEMBLY .....                        | 2   |         |
| 24       | 95303-08700-00  | . NUT .....                                 | 8   |         |
| 25       | 92990-08100-00  | . WASHER, PLAIN .....                       | 8   |         |
| 26       | 92990-08600-00  | . WASHER, PLATE .....                       | 4   |         |
| 27       | J24-82532-00-00 | CAP .....                                   | 4   |         |

J42110-5320

CONTINUED ON NEXT FRAME ►

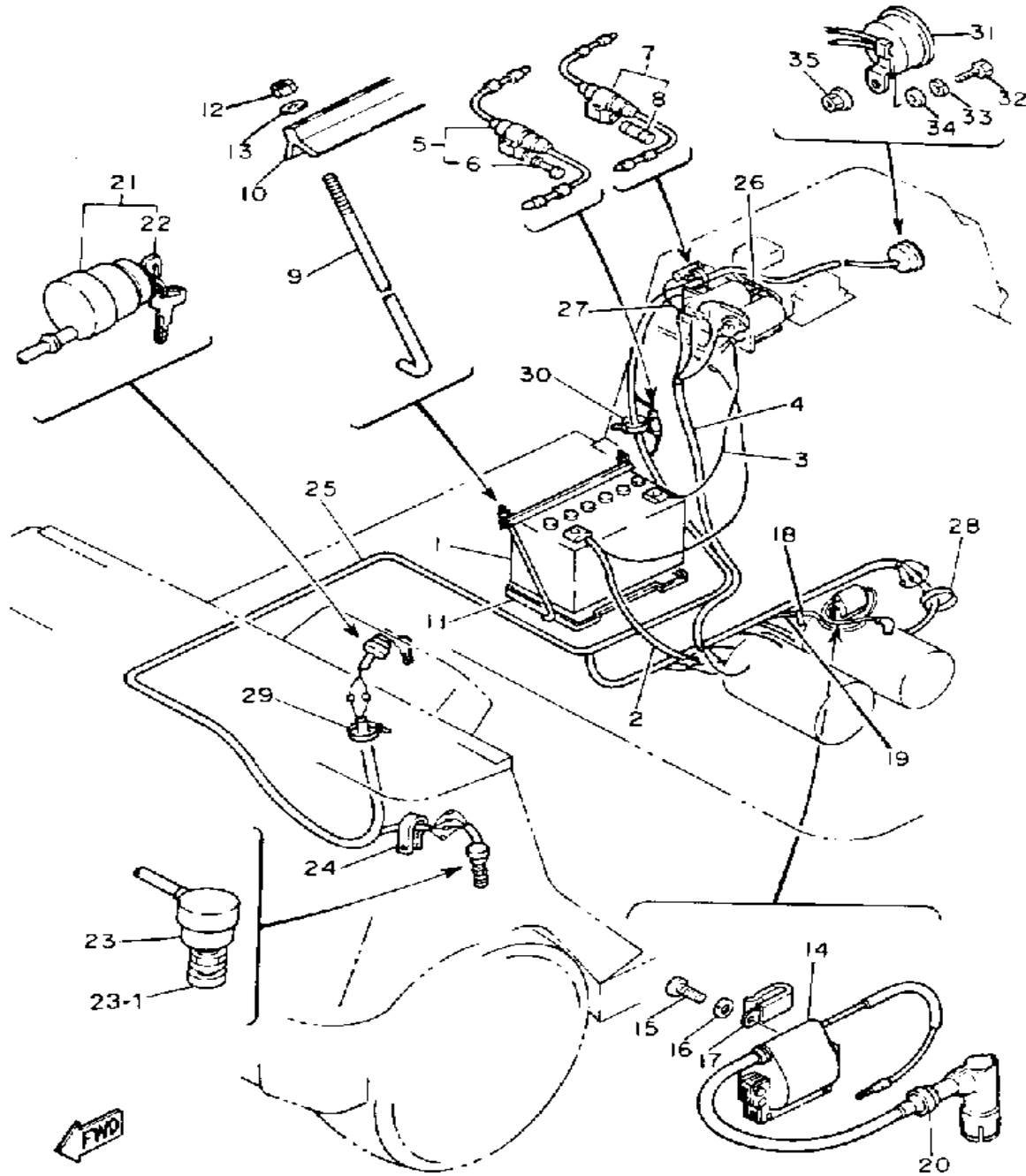
# MAGNETO (G1-AM)



| Ref. No. | Part Number     | Description                  | Qty | Remarks |
|----------|-----------------|------------------------------|-----|---------|
| 28       | J17-86126-00-00 | PLATE, CONNECTING 1          | 2   |         |
| 29       | J17-86127-00-00 | PLATE, CONNECTING 2          | 2   |         |
| 30       | 92990-08200-00  | WASHER, SPRING (92902-08100) | 4   |         |
| 31       | 92990-08100-00  | WASHER, PLAIN                | 4   |         |
| 32       | 95333-08600-00  | NUT (6L2)                    | 4   |         |
| 33       | J27-81950-01-00 | RELAY ASSEMBLY.              | 1   |         |

J42110-5320

# ELECTRICAL 1 (G1-AM5)

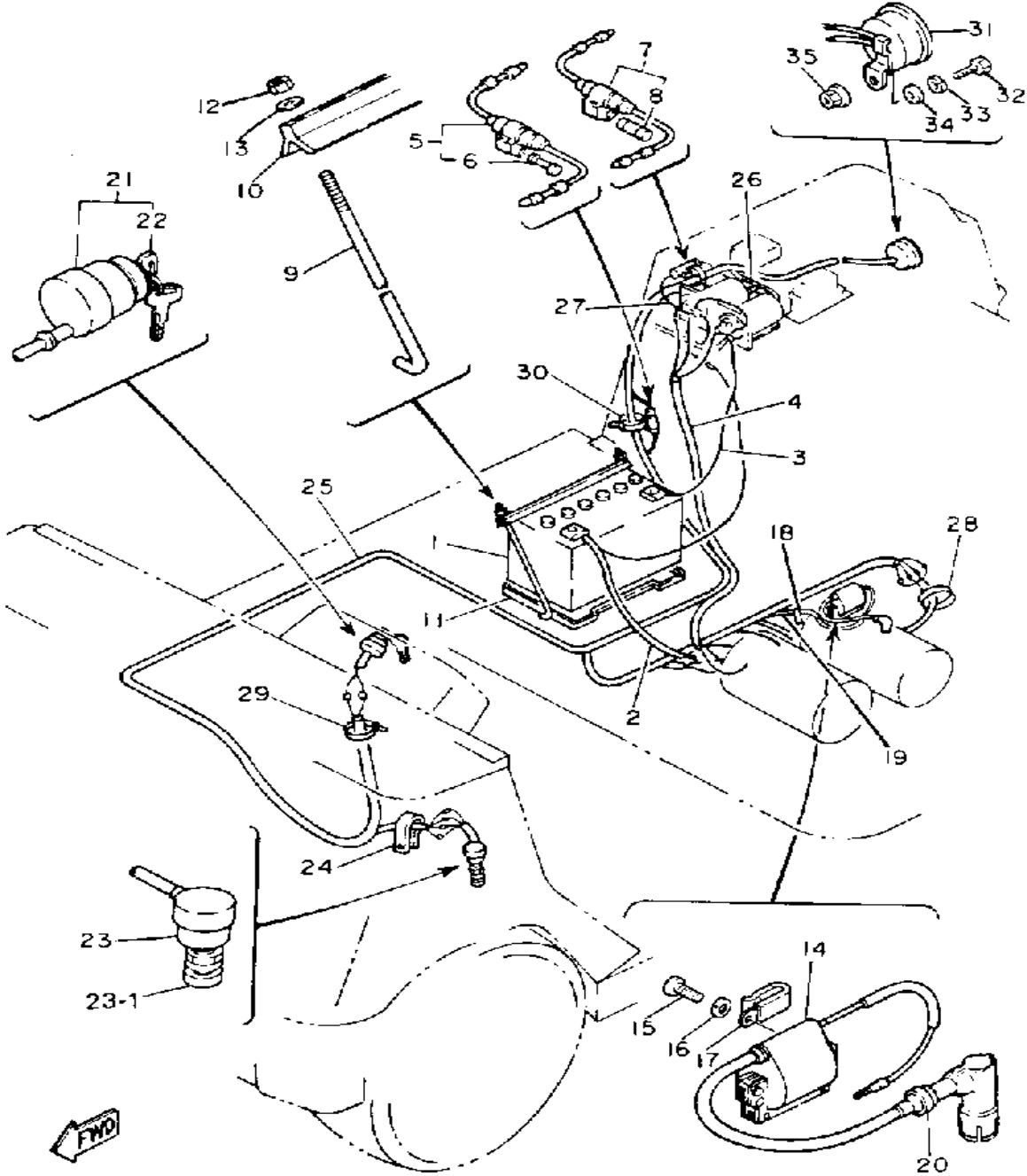


J31100-6320

| Ref. No. | Part Number     | Description                              | Qty | Remarks            |
|----------|-----------------|--|-----|--------------------|
| 1        | *---            | BULB (12V-35/35W) .....                  | 1   | LM (SEE NOTE)      |
| 2        | J10-82115-00-00 | WIRE, PLUS LEAD .....                    | 1   |                    |
| 3        | J17-82116-00-00 | WIRE, MINUS LEAD .....                   | 1   |                    |
| 4        | J17-82105-00-00 | WIRE HARNESS .....                       | 1   |                    |
| 5        | 1E6-82150-00-00 | FUSE HOLDER ASSEMBLY ...                 | 1   |                    |
| 6        | 1E6-82151-00-00 | . FUSE (10 A) .....                      | 2   |                    |
| 7        | 1E6-82150-00-00 | FUSE HOLDER ASSEMBLY ...                 | 1   |                    |
| 8        | 1E6-82151-00-00 | . FUSE (10 A) .....                      | 2   |                    |
| 9        | J17-82133-00-00 | SCREW, FITTING .....                     | 2   |                    |
| 10       | J55-H2136-00-00 | PLATE, BATT FITTING (J17-82136-00) ..... | 1   |                    |
| 11       | J55-H2122-00-00 | SEAT, BATTERY .....                      | 1   |                    |
| 12       | 95701-06300-00  | NUT, NYLON .....                         | 2   |                    |
| 13       | 92990-06200-00  | WASHER, PLAIN .....                      | 2   |                    |
| 14       | 5G4-82310-40-00 | IGNITION COIL ASSEMBLY ...               | 1   |                    |
| 15       | 98511-06025-00  | SCREW PAN HEAD .....                     | 2   |                    |
| 16       | 92995-06100-00  | WASHER, SPRING (92990-06100-00) .....    | 2   |                    |
| 17       | 90465-06038-00  | CLAMP .....                              | 1   |                    |
| 18       | 90464-12036-00  | CLAMP .....                              | 1   |                    |
| 19       | 87D-82318-00-00 | WIRE, SUB-LEAD .....                     | 1   |                    |
| 20       | 512-82370-10-00 | PLUG CAP ASSEMBLY .....                  | 1   | W/NOISE SUPPRESSOR |
| 21       | J17-82508-20-00 | MAIN SWITCH ASSEMBLY ...                 | 1   |                    |
| 22       | J17-82511-20-00 | . KEY, MAIN SWITCH .....                 | 2   |                    |
| 23       | J17-82550-01-00 | STOP SWITCH ASSEMBLY ...                 | 1   |                    |
| 24       | 90465-06038-00  | CLAMP .....                              | 1   |                    |
| 25       | J27-82590-20-00 | WIRE HARNESS ASSEMBLY ..                 | 1   |                    |
| 26       | J17-86177-00-00 | WIRE, LEAD 7 .....                       | 1   |                    |
| 27       | J42-82318-00-00 | WIRE, SUB-LEAD .....                     | 1   |                    |

CONTINUED ON NEXT FRAME ►

# ELECTRICAL 1 (G1-AM5)

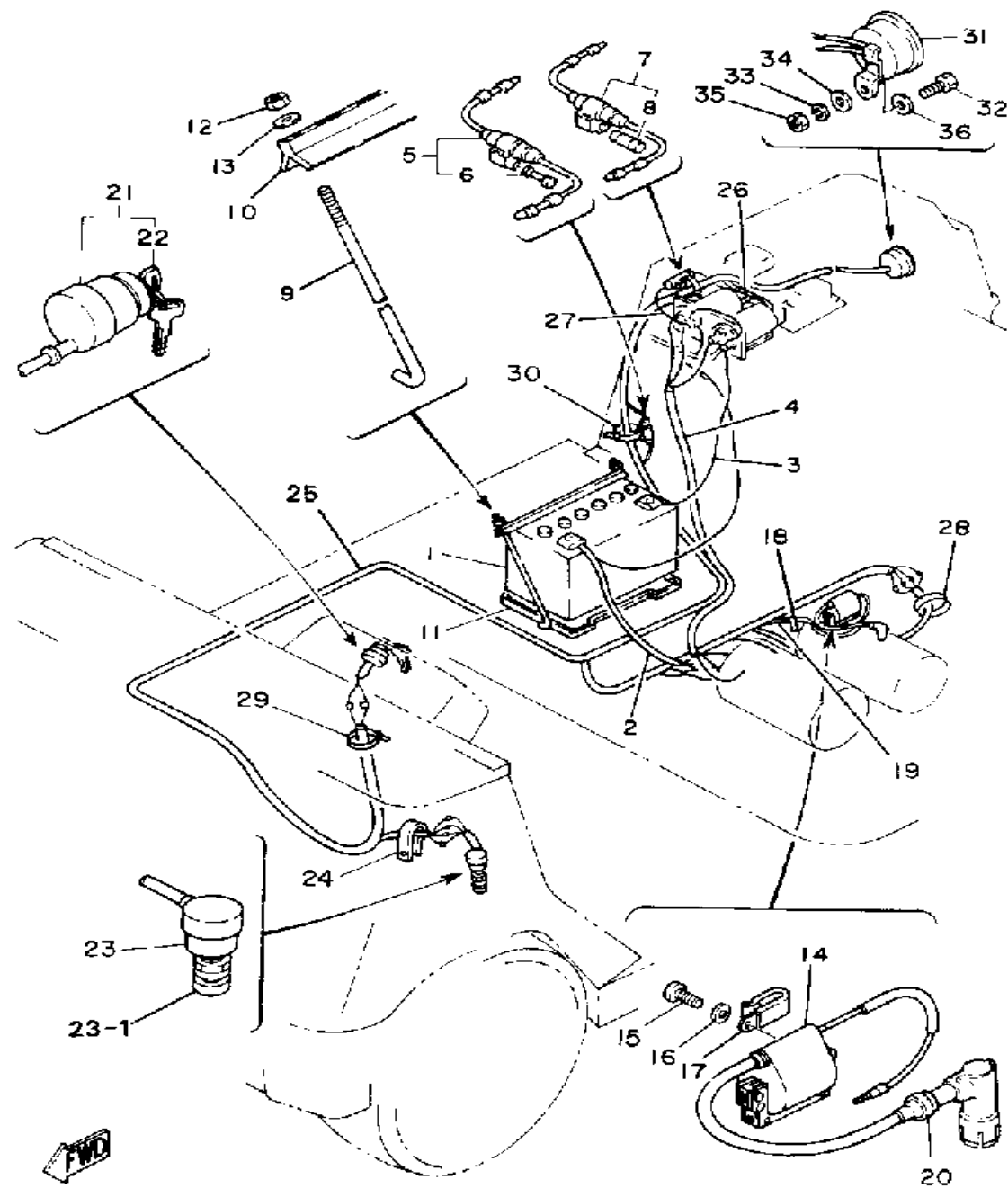


J31100-6320

| Ref. No. | Part Number     | Description                              | Qty | Remarks |
|----------|-----------------|--|-----|---------|
| 28       | 437-83936-01-00 | BAND, SWITCH CORD .....                  | 1   |         |
| 29       | 25G-83936-01-00 | BAND, SWITCH CORD .....                  | 1   |         |
| 30       | 90464-12036-00  | CLAMP .....                              | 4   |         |
| 31       | J10-83383-02-00 | BUZZER .....                             | 1   |         |
| 32       | 97313-06016-00  | BOLT, HEXAGON .....                      | 1   |         |
| 33       | 92995-06100-00  | WASHER, SPRING<br>(92990-06100-00) ..... | 1   |         |
| 34       | 90201-061A5-00  | WASHER, PLATE .....                      | 1   |         |
| 35       | 95380-06600-00  | NUT (95303-06600) .....                  | 1   |         |
| 36       | 90201-06043-00  | WASHER, PLATE .....                      | 1   |         |
| 23-1     | JF2-82532-00-00 | . CAP, RUBBER .....                      | 1   |         |



# ELECTRICAL 1 (G1-AM)

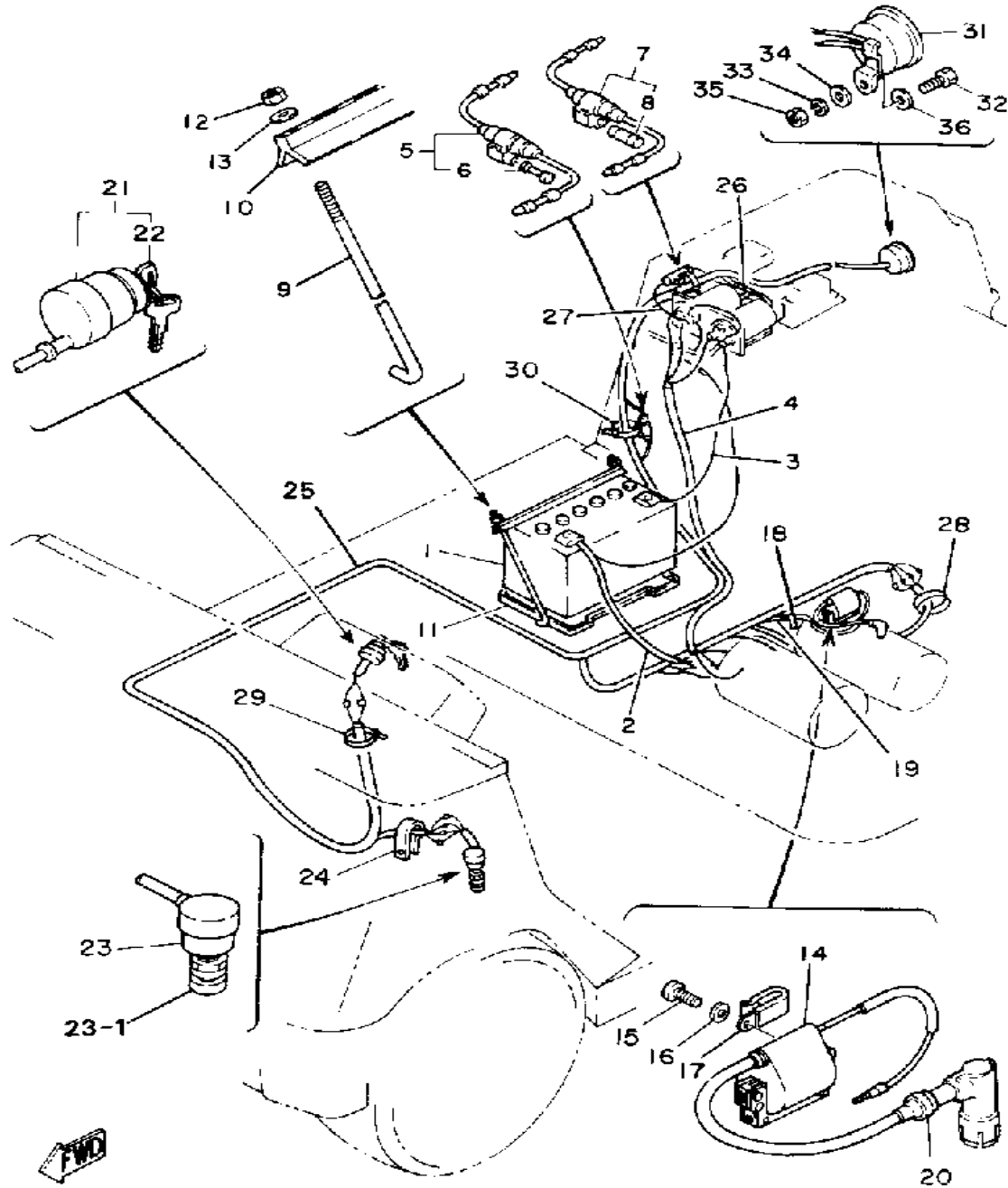


J24100-3320

| Ref. No. | Part Number     | Description                                 | Qty | Remarks               |
|----------|-----------------|---|-----|-----------------------|
| 1        | *---            | BULB (12V-35/35W) .....                     | 1   | LM (SEE NOTE)         |
| 2        | J10-82115-00-00 | WIRE, PLUS LEAD .....                       | 1   |                       |
| 3        | J17-82116-00-00 | WIRE, MINUS LEAD .....                      | 1   |                       |
| 4        | J17-82105-00-00 | WIRE HARNESS .....                          | 1   |                       |
| 5        | 1E6-82150-00-00 | FUSE HOLDER ASSEMBLY ...                    | 1   |                       |
| 6        | 1E6-82151-00-00 | . FUSE (10 A) .....                         | 2   |                       |
| 7        | 1E6-82150-00-00 | FUSE HOLDER ASSEMBLY ...                    | 1   |                       |
| 8        | 1E6-82151-00-00 | . FUSE (10 A) .....                         | 2   |                       |
| 9        | J17-82133-00-00 | SCREW, FITTING .....                        | 2   |                       |
| 10       | J55-H2136-00-00 | PLATE, BATT FITTING<br>(J17-82136-00) ..... | 1   |                       |
| 11       | J55-H2122-00-00 | SEAT, BATTERY .....                         | 1   |                       |
| 12       | 95701-06300-00  | NUT, NYLON .....                            | 2   |                       |
| 13       | 92990-06200-00  | WASHER, PLAIN .....                         | 2   |                       |
| 14       | 5G4-82310-40-00 | IGNITION COIL ASSEMBLY ...                  | 1   |                       |
| 15       | 98511-06025-00  | SCREW PAN HEAD .....                        | 2   |                       |
| 16       | 92995-06100-00  | WASHER, SPRING<br>(92990-06100-00) .....    | 2   |                       |
| 17       | 90465-06038-00  | CLAMP .....                                 | 1   |                       |
| 18       | 90464-12036-00  | CLAMP .....                                 | 1   |                       |
| 19       | 87D-82318-00-00 | WIRE, SUB-LEAD .....                        | 1   |                       |
| 20       | 512-82370-10-00 | PLUG CAP ASSEMBLY .....                     | 1   | W/NOISE<br>SUPPRESSOR |
| 21       | J17-82508-20-00 | MAIN SWITCH ASSEMBLY ...                    | 1   |                       |
| 22       | J17-82511-20-00 | . KEY, MAIN SWITCH .....                    | 2   |                       |
| 23       | J17-82550-01-00 | STOP SWITCH ASSEMBLY ...                    | 1   |                       |
| 24       | 90465-06038-00  | CLAMP .....                                 | 1   |                       |
| 25       | J27-82590-20-00 | WIRE HARNESS ASSEMBLY ..                    | 1   |                       |
| 26       | J17-86177-00-00 | WIRE, LEAD 7 .....                          | 1   |                       |
| 27       | J42-82318-00-00 | WIRE, SUB-LEAD .....                        | 1   |                       |

CONTINUED ON NEXT FRAME ►

# ELECTRICAL 1 (G1-AM)



| Ref. No. | Part Number     | Description                              | Qty | Remarks |
|----------|-----------------|--|-----|---------|
| 28       | 437-83936-01-00 | BAND, SWITCH CORD .....                  | 1   |         |
| 29       | 25G-83936-01-00 | BAND, SWITCH CORD .....                  | 1   |         |
| 30       | 90464-12036-00  | CLAMP .....                              | 4   |         |
| 31       | J10-83383-02-00 | BUZZER .....                             | 1   |         |
| 32       | 97313-06016-00  | BOLT, HEXAGON .....                      | 1   |         |
| 33       | 92995-06100-00  | WASHER, SPRING<br>(92990-06100-00) ..... | 1   |         |
| 34       | 92990-06600-00  | WASHER, PLATE .....                      | 1   |         |
| 35       | 95702-06600-00  | NUT, FLANGE .....                        | 1   |         |
| 23-1     | JF2-82532-00-00 | . CAP, RUBBER .....                      | 1   |         |

J24100-3320