



YAMAHA

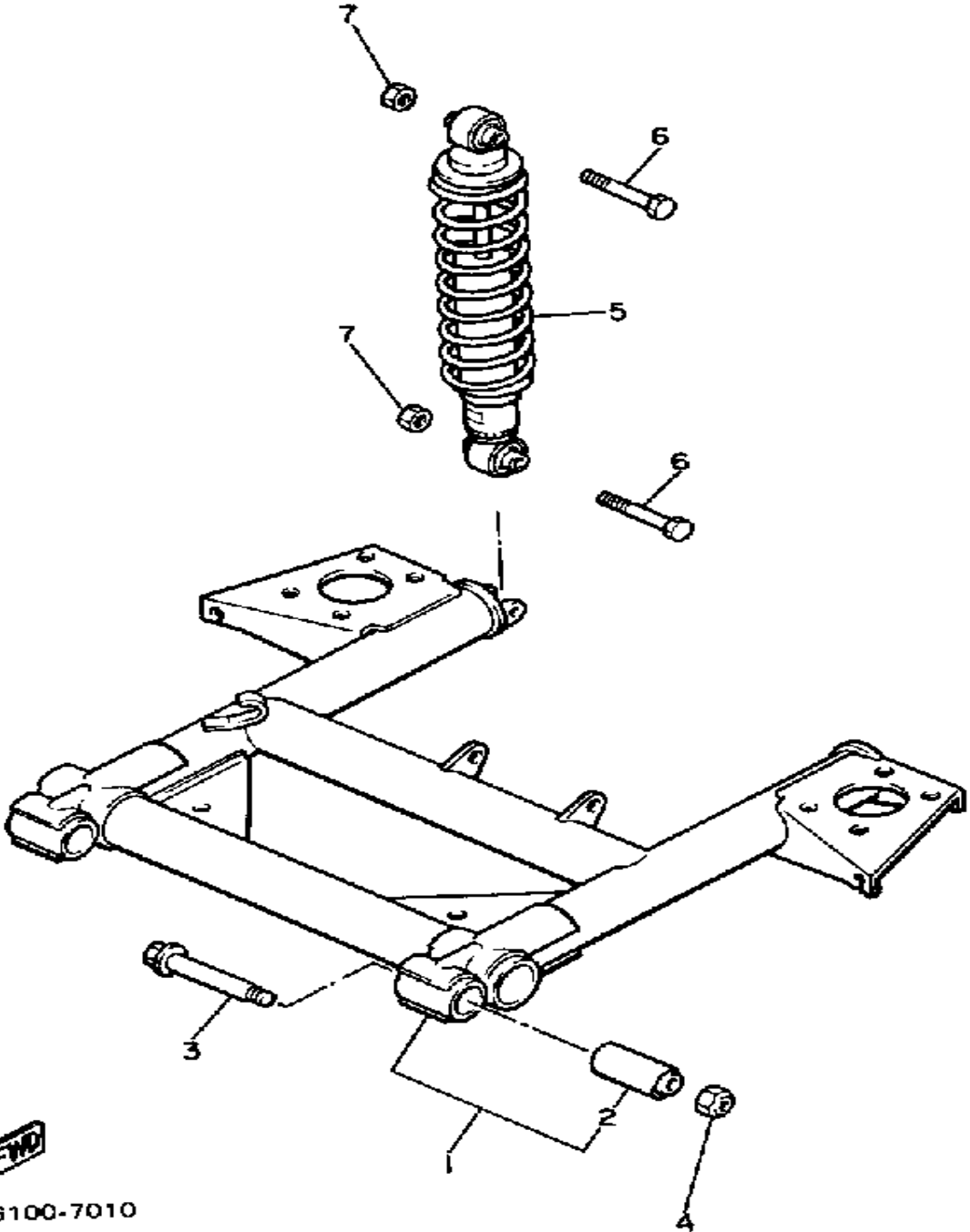
GENUINE

PARTS CATALOGUE

GOLF CAR

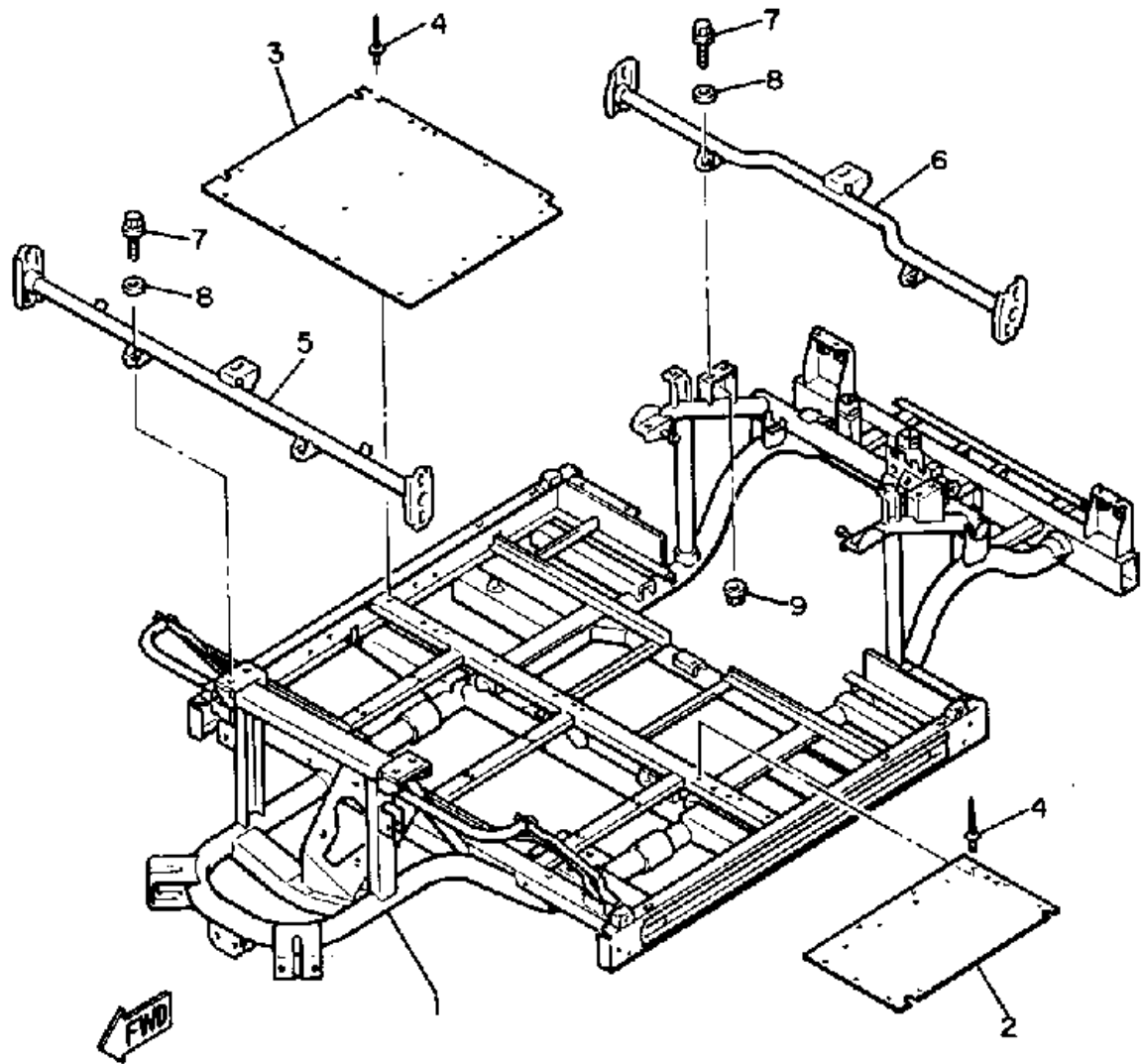
REAR SHOCKS

Ref. No.	Part Number	Description	Qty	Remarks
1	J46-Y2210-00-00	REAR ARM COMP.	1	
2	J10-22123-00-00	. BUSH 1	2	
3	90105-10359-00	BOLT, WASHER BASED	2	
4	90185-10115-00	NUT, SELF-LOCKING	2	
5	J46-22210-00-00	SHOCK ABSORBER ASS'Y, rear (J42-22210-00-00)	2	
6	97012-10050-00	BOLT (97002-10050-00)	4	
7	95601-10100-00	NUT, U (95602-10100-00)	4	



FWD
J46100-7010

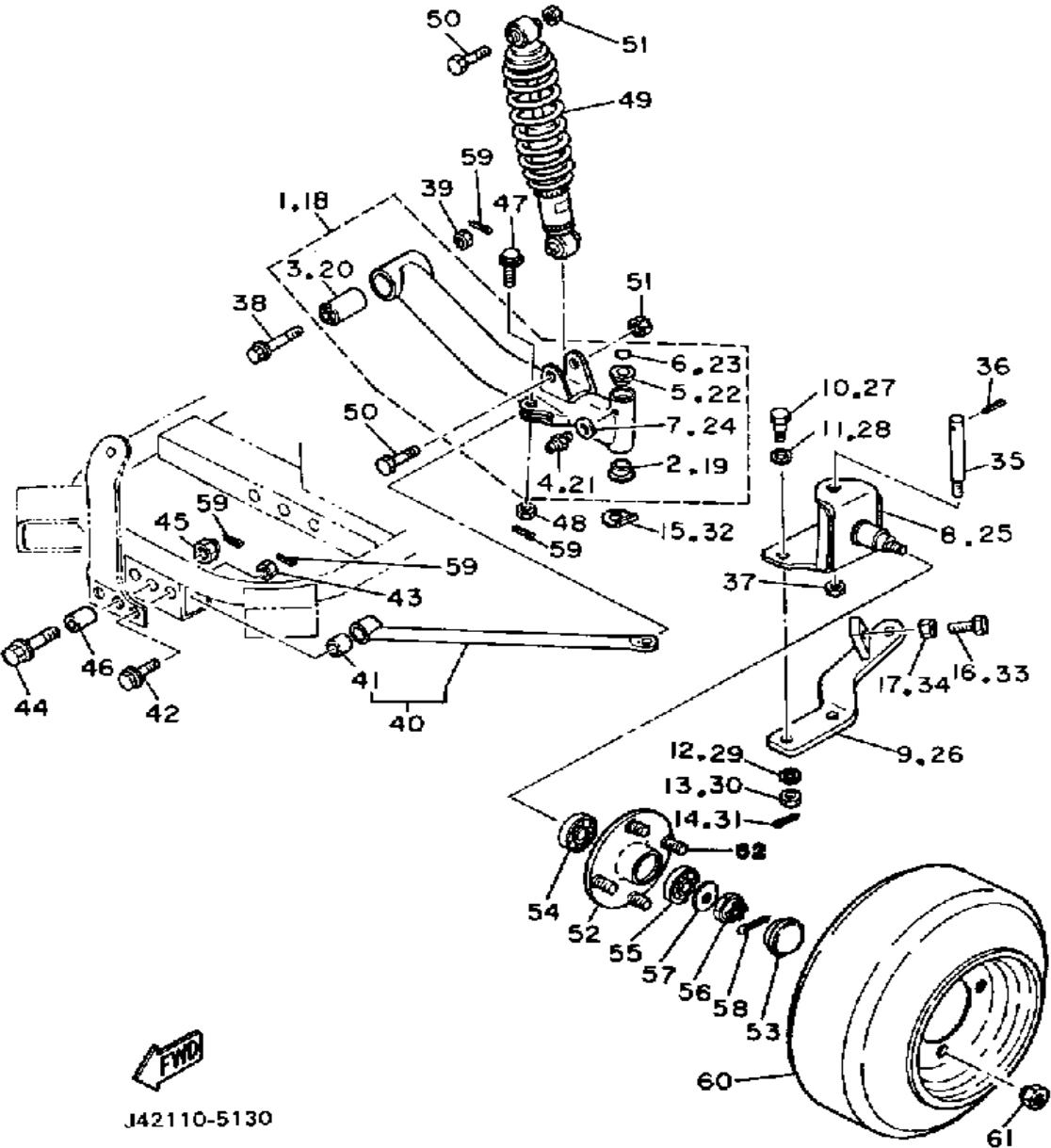
FRAME



Ref. No.	Part Number	Description	Qty	Remarks
1	(J46-22501-00-00)	FRAME	1	
2	J42-22571-00-00	PANEL 1	1	
3	J42-22572-00-00	PANEL 2	1	
4	90267-40054-00	RIVET, BLIND	18	
5	J42-2254J-01-00	SUPPORT, side panel	1	
6	J42-2254K-00-00	SUPPORT, side panel 2	1	
7	95821-08020-00	BOLT, FLANGE (95801-08020) .	8	
8	90201-084K3-00	WASHER, PLATE	8	
9	95701-08500-00	NUT, FLANGE	4	

J46100-7020

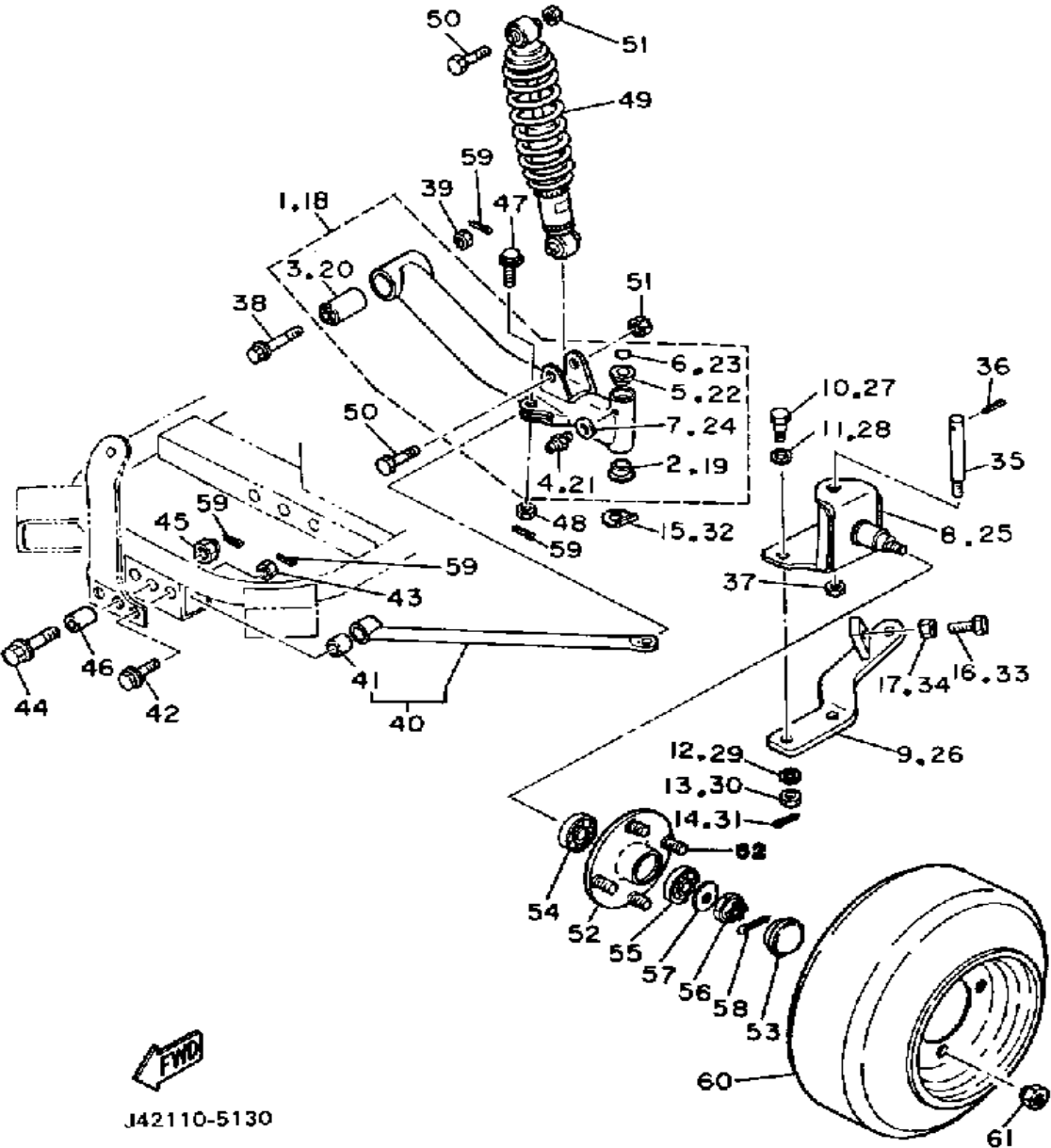
FRONT SUSPENSION - WHEEL



Ref. No.	Part Number	Description	Qty	Remarks
1	J42-W2351-00-00	FRONT LOWER ARM LHCOMP. (L.H)	1	
2	90381-15032-00	. BUSH, SOLID	1	
3	J10-23526-00-00	. BUSH	1	
4	93700-06M03-00	. NIPPLE, GREASE	1	
5	90381-15040-00	. BUSH, SOLID	1	
6	93210-15566-00	. O-RING	1	
7	90201-067F9-00	. WASHER, PLATE	1	
8	J17-23510-00-00	KNUCKLE, STEERING 1	1	
9	J11-23512-00-00	ARM, KNUCKLE 1	1	
10	90109-10643-00	BOLT	2	
11	90201-121F0-00	WASHER, PLATE	2	
12	90201-105F2-00	WASHER, PLATE	2	
13	90171-10035-00	NUT, CASTLE	2	
14	91490-25030-00	PIN, COTTER	2	
15	90214-16027-00	WASHER, CLAW	1	
16	97313-08030-00	BOLT, HEXAGON	1	
17	95303-08700-00	NUT	1	
18	J42-W2352-00-00	FRONT LOWER ARM RHCOMP (R.H)	1	
19	90381-15032-00	. BUSH, SOLID	1	
20	J10-23526-00-00	. BUSH	1	
21	93700-06M03-00	. NIPPLE, GREASE	1	
22	90381-15040-00	. BUSH, SOLID	1	
23	93210-15566-00	. O-RING	1	
24	90201-067F9-00	. WASHER, PLATE	1	
25	J17-23510-00-00	KNUCKLE, STEERING 1	1	
26	J11-23522-00-00	ARM, KNUCKLE 2	1	
27	90109-10643-00	BOLT	2	

CONTINUED ON NEXT FRAME ►

FRONT SUSPENSION - WHEEL

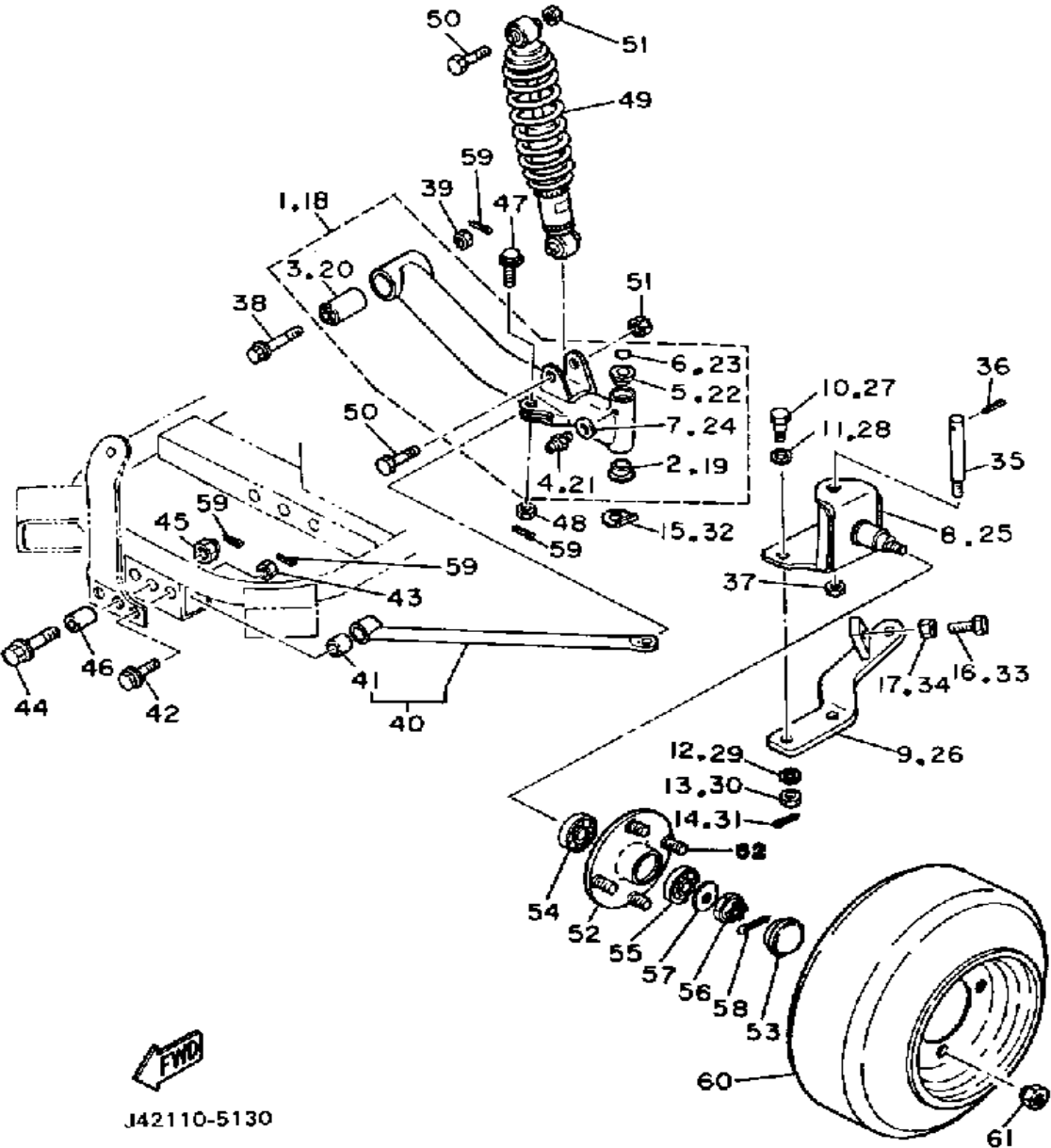


J42110-5130

Ref. No.	Part Number	Description	Qty	Remarks
28	90201-121F0-00	WASHER, PLATE	2	
29	90201-105F2-00	WASHER, PLATE	2	
30	90171-10035-00	NUT, CASTLE	2	
31	91490-25030-00	PIN, COTTER	2	
32	90214-16027-00	WASHER, CLAW	1	
33	97313-08030-00	BOLT, HEXAGON	1	
34	95303-08700-00	NUT	1	
35	J10-23516-02-00	KING PIN, STRG KNKL	2	
36	91401-30030-00	PIN, COTTER	2	
37	95712-12300-00	2	2	
38	90105-10224-00	BOLT, WASHER BASED	2	
39	95601-10200-00	NUT, SELF-LOCKING	2	
40	J17-W2355-00-00	ROD, TENSION	2	
41	J10-23583-01-00	. BUSH	1	
42	90105-08225-00	BOLT, WASHER BASED	2	
43	95601-08200-00	NUT, U	2	
44	95812-12050-00	BOLT, flange	1	
45	95701-12500-00	NUT, FLANGE	1	
46	90387-137F6-00	COLLAR	1	
47	90102-12046-00	BOLT, WITH HOLE	2	
48	95601-12200-00	NUT, SELF-LOCKING	2	
49	J46-23350-00-00	SHOCK ABSORBER ASSEMBLY	2	
50	(97022-10050-00)	BOLT (83L)	4	
51	95612-10100-00	NUT, BIND	4	
52	J17-W2511-00-00	HUB, FRONT	2	
53	J17-25118-00-00	COVER, HUB DUST	2	
54	93306-00511-00	BEARING	2	
55	93306-20437-00	BEARING	2	

CONTINUED ON NEXT FRAME ►

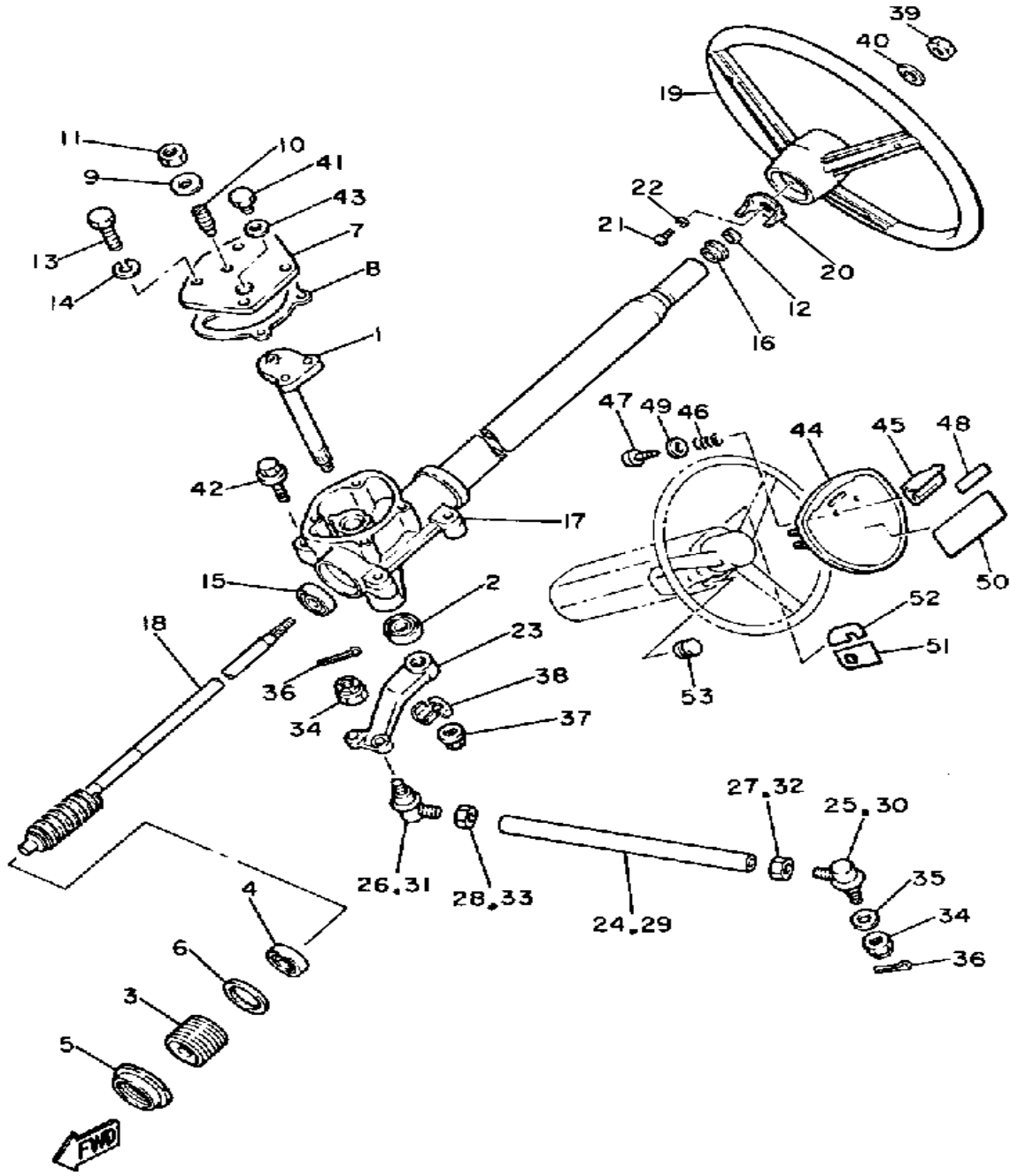
FRONT SUSPENSION - WHEEL



J42110-5130

Ref. No.	Part Number	Description	Qty	Remarks
56	95301-14900-00	NUT, SLOTTED	2	
57	90209-14219-00	WASHER, SPEC'L SHAP	2	
58	91401-30030-00	PIN, COTTER	2	
59	91490-25030-00	PIN, COTTER	6	
60	*---	FRONT WHEEL ASSEMBLY ..	2	SEE NOTE
61	90179-12262-00	NUT	8	
62	90114-12004-00	BOLT, RIBBED NECK	8	

STEERING

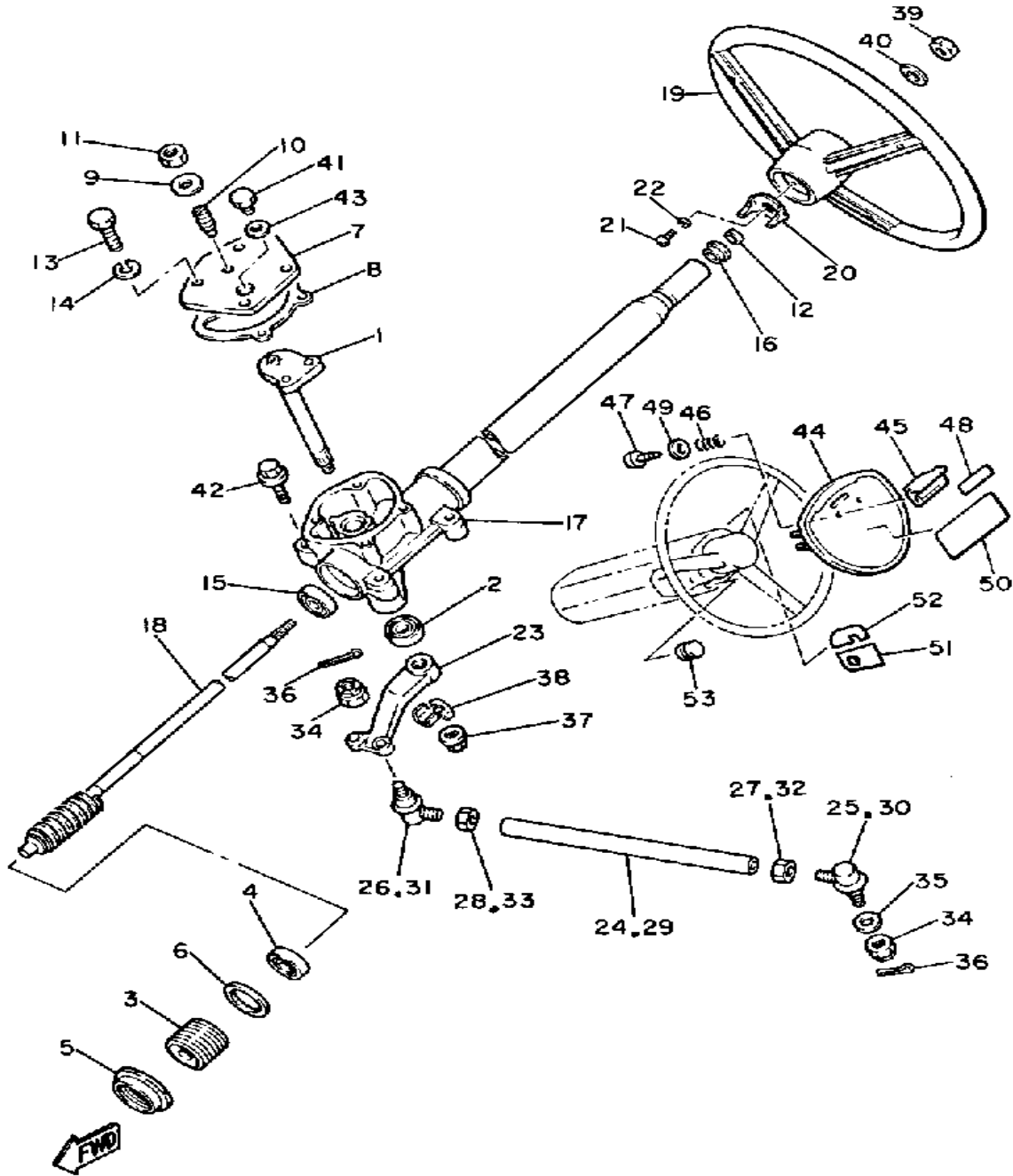


J46100-7040

Ref. No.	Part Number	Description	Qty	Remarks
1	J24-23816-01-00	ARM, PITMAN (J24-23816-00)	1	
2	93102-22087-00	OIL SEAL	1	
3	J55-F3876-00-00	BOLT	1	
4	93332-00010-00	BEARING	1	
5	J10-23877-00-00	NUT	1	
6	J10-23444-00-00	WASHER	1	
7	J10-23818-00-00	COVER, STEERING	1	
8	J10-23462-00-00	SEAL, STEERING	1	
9	90201-08087-00	WASHER, PLATE	1	
10	J10-23459-00-00	BOLT	1	
11	90170-08024-00	NUT, HEX.	1	
12	93104-15005-00	OIL SEAL, SO-TYPE	1	
13	97313-08020-00	BOLT, HEXAGON	4	
14	92990-08100-00	WASHER, SPRING	4	
15	93332-00010-00	BEARING	1	
16	J42-23814-00-00	HOLDER, handle upper	1	
17	J42-23811-00-00	COLUMN, steering	1	
18	J10-23840-00-00	STEERING SHAFT	1	
19	J50-F3838-00-00	WHEEL, STEERING	1	
20	J42-23839-00-00	PIN, CANCEL	1	
21	98580-04008-00	SCREW, PAN HEAD	3	
22	92901-04100-00	WASHER, SPRING	3	
23	J24-23826-00-00	ARM, IDLER	1	
24	J10-23831-00-00	ROD, TIE	1	
25	J10-23841-10-00	JOINT, UNIVERSAL 1	1	
26	J10-23845-10-00	JOINT, UNIVERSAL 2	1	
27	90170-12054-00	NUT	1	
28	90170-12055-00	NUT	1	
29	J10-23831-00-00	ROD, TIE	1	

CONTINUED ON NEXT FRAME ►

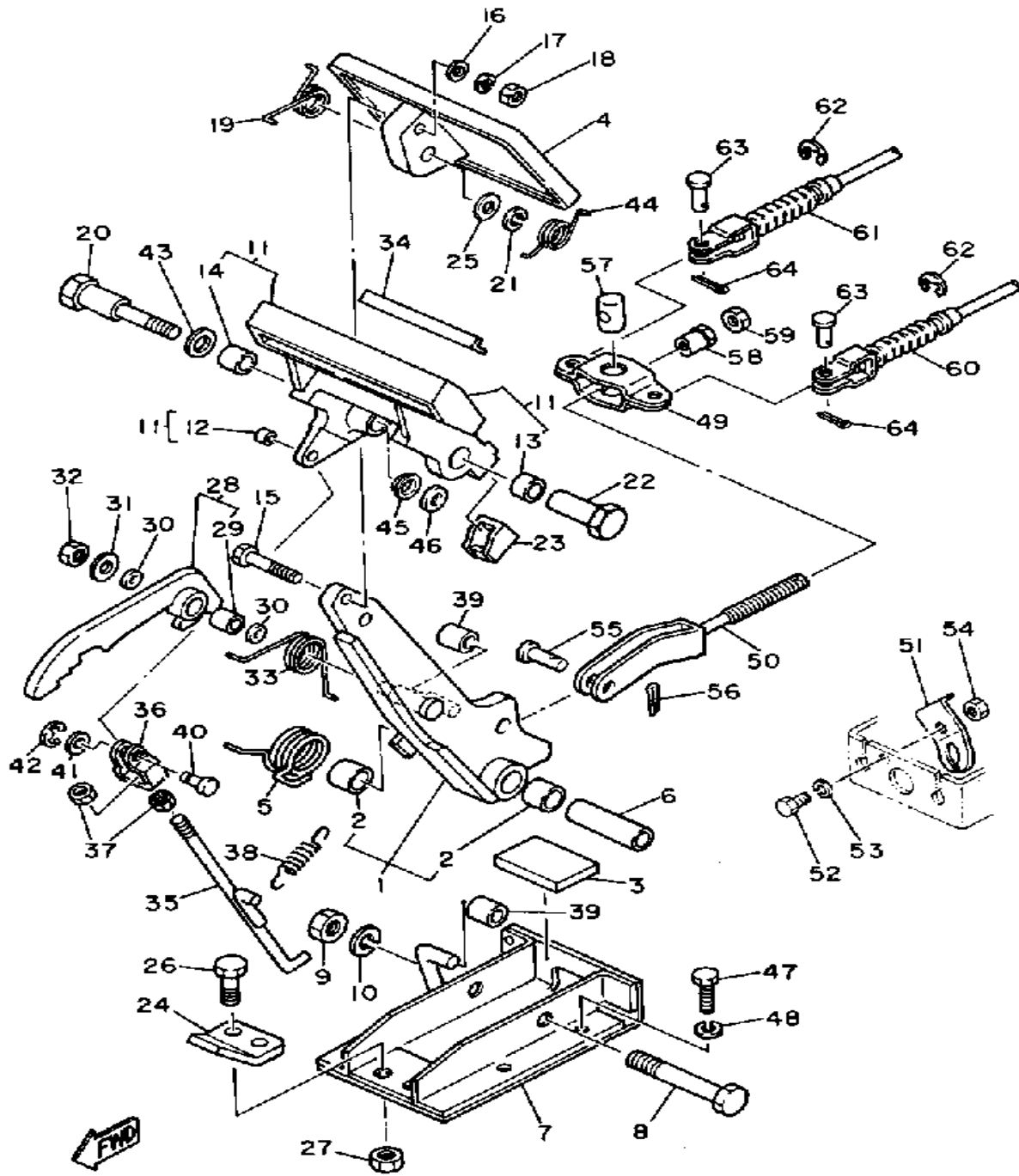
STEERING



J46100-7040

Ref. No.	Part Number	Description	Qty	Remarks
30	J10-23841-10-00	JOINT, UNIVERSAL 1	1	
31	J10-23845-10-00	JOINT, UNIVERSAL 2	1	
32	90170-12054-00	NUT	1	
33	90170-12055-00	NUT	1	
34	95301-12900-00	NUT, SLOTTED	4	
35	92990-12600-00	WASHER, PLATE	2	
36	91401-30030-00	PIN, COTTER	4	
37	95701-16300-00	NUT, FLANGE	1	
38	90215-16161-00	WASHER, LOCK	1	
39	90185-12119-00	NUT, SELF-LOCKING	1	
40	92990-12200-00	WASHER, PLAIN	1	
41	90340-14115-00	PLUG, STRAIGHT SCRW	1	
42	95811-10050-00	BOLT, FLANGE (95812-10050-00)	4	
43	90430-14043-00	GASKET	1	
44	J50-K8357-00-00	HOLDER 1	1	
45	J50-K8358-00-00	HOLDER 2	1	
46	90502-10013-00	SPRING, CONICAL	2	
47	97780-50125-00	SCREW, TAPPING	2	
48	J10-78292-00-00	EMBLEM 2	1	
49	92901-05600-00	WASHER, PLATE	2	
50	(J46-77762-00-00)	LABEL, WARNING 2	1	
51	J42-77741-00-00	INDICATOR 1	1	
52	J42-77742-00-00	INDICATOR 2	1	
53	90338-11125-00	PLUG	1	

BRAKE

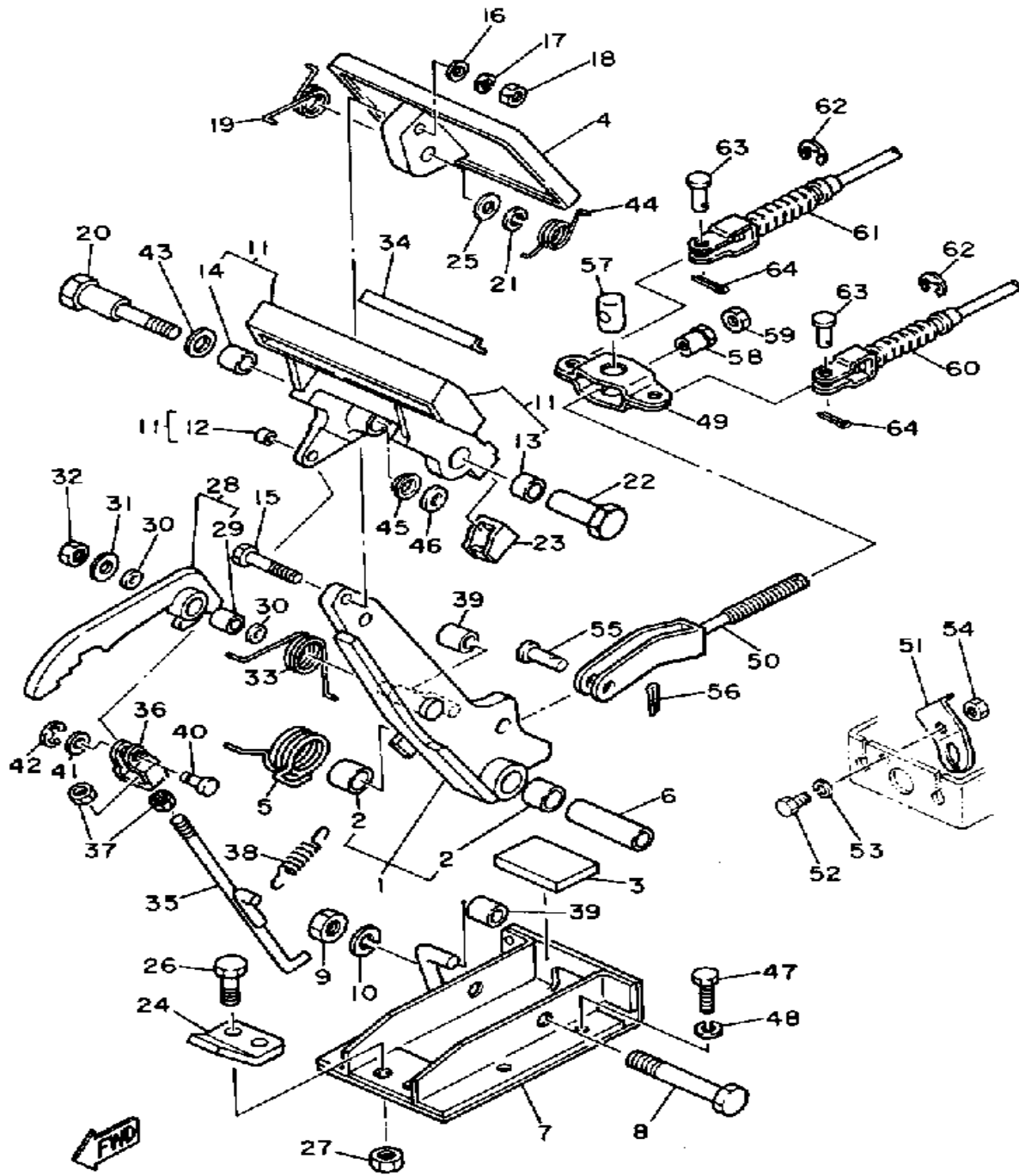


J46100-7050

Ref. No.	Part Number	Description	Qty	Remarks
1	J46-27250-00-00	BRAKE ARM CMPLT	1	
2	90384-14080-00	. BUSH, BIMETAL	2	
3	J17-27245-00-00	PAD, BRAKE PEDAL	1	
4	J10-27211-00-00	PEDAL, BRAKE	1	
5	90508-40543-00	SPRING, TORSION	1	
6	90387-107F8-00	COLLAR	1	
7	J17-25654-00-00	BRACKET, PEDAL	1	
8	90101-10447-00	BOLT, HEX.	1	
9	95601-10100-00	NUT, U (95602-10100-00)	1	
10	92990-10100-00	WASHER, SPRING	1	
11	99999-01799-00	PARKING PEDAL COMP. (J17-25670-00)	1	
12	90384-05163-00	. BUSH, BIMETAL	1	
13	90384-12164-00	. BUSH, BIMETAL	1	
14	90380-12051-00	. BUSH, SOLID	1	
15	90101-06555-00	BOLT, HEX.	1	
16	92990-06200-00	WASHER, PLAIN	1	
17	92995-06100-00	WASHER, SPRING	1	
18	95380-06600-00	NUT	1	
19	90508-23542-00	SPRING, TORSION	1	
20	90109-08669-00	BOLT	1	
21	92990-08100-00	WASHER, SPRING	1	
22	90179-08378-00	NUT	1	
23	J17-25679-01-00	DAMPER	1	
24	J17-27246-00-00	NAIL, BRAKE	1	
25	92990-08200-00	WASHER, PLAIN	1	
26	97001-08025-00	BOLT (1NV)	2	
27	95611-08100-00	NUT, U	2	
28	J17-W2561-00-00	SECTOR, PARKING BRAKE	1	

CONTINUED ON NEXT FRAME ►

BRAKE

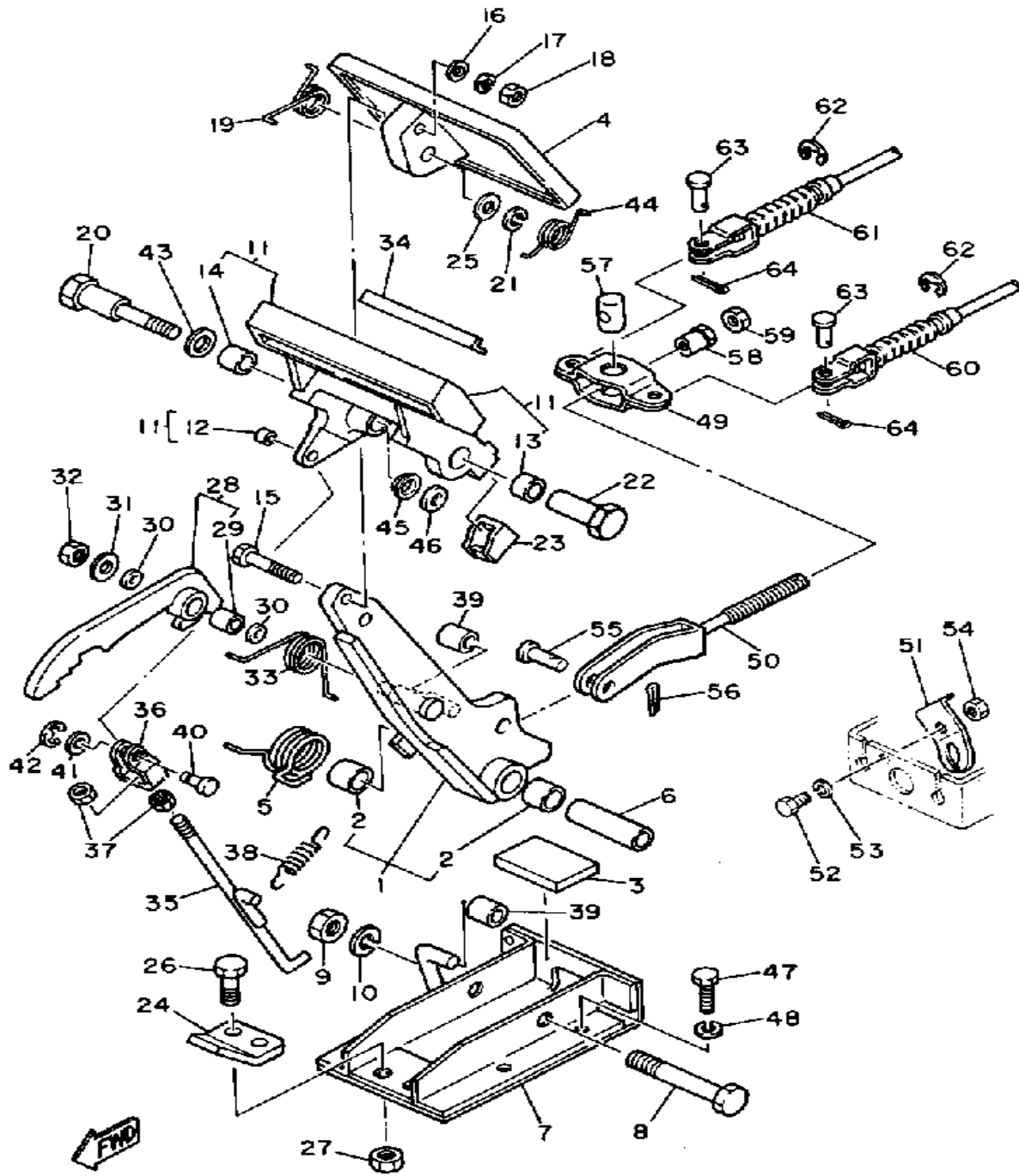


J46100-7050

Ref. No.	Part Number	Description	Qty	Remarks
29	90384-10162-00	. BUSH, BIMETAL	1	
30	J17-27221-00-00	SEAL, SHAFT	2	
31	90201-065F3-00	WASHER, PLATE	1	
32	95601-06100-00	NUT, U	1	
33	90508-14548-00	SPRING, TORSION	1	
34	J17-25672-01-00	PAD, PARKING	1	
35	J17-27231-02-00	ROD, BRAKE	1	
36	J17-27232-00-00	END, ROD	1	
37	95380-06700-00	NUT	2	
38	90506-12277-00	SPRING, TENSION	1	
39	J17-25673-00-00	DAMPER, BRAKE	2	
40	J17-27228-00-00	PIN, LINK JOINT	1	
41	92901-05600-00	WASHER, PLATE	1	
42	99080-04600-00	CIRCLIP (E)	1	
43	90201-123F2-00	WASHER, PLAIN	1	
44	90508-26557-00	SPRING, TORSION	1	
45	90380-12105-00	BUSH, SOLID	1	
46	90201-104G8-00	WASHER, PLAIN	2	
47	97313-06016-00	BOLT, HEXAGON	4	
48	92995-06100-00	WASHER, SPRING	4	
49	J10-25681-00-00	EQUALIZER, BRAKE	1	
50	(J46-25685-00-00)	ROD	1	
51	J13-25656-00-00	BRKT, STOP LT SWCHSTOP LIGHT SWITCH	1	
52	97313-06016-00	BOLT, HEXAGON	1	
53	92995-06100-00	WASHER, SPRING	1	
54	95380-06600-00	NUT	1	
55	91701-10022-00	PIN	1	
56	91490-30020-00	PIN, COTTER	1	

CONTINUED ON NEXT FRAME ►

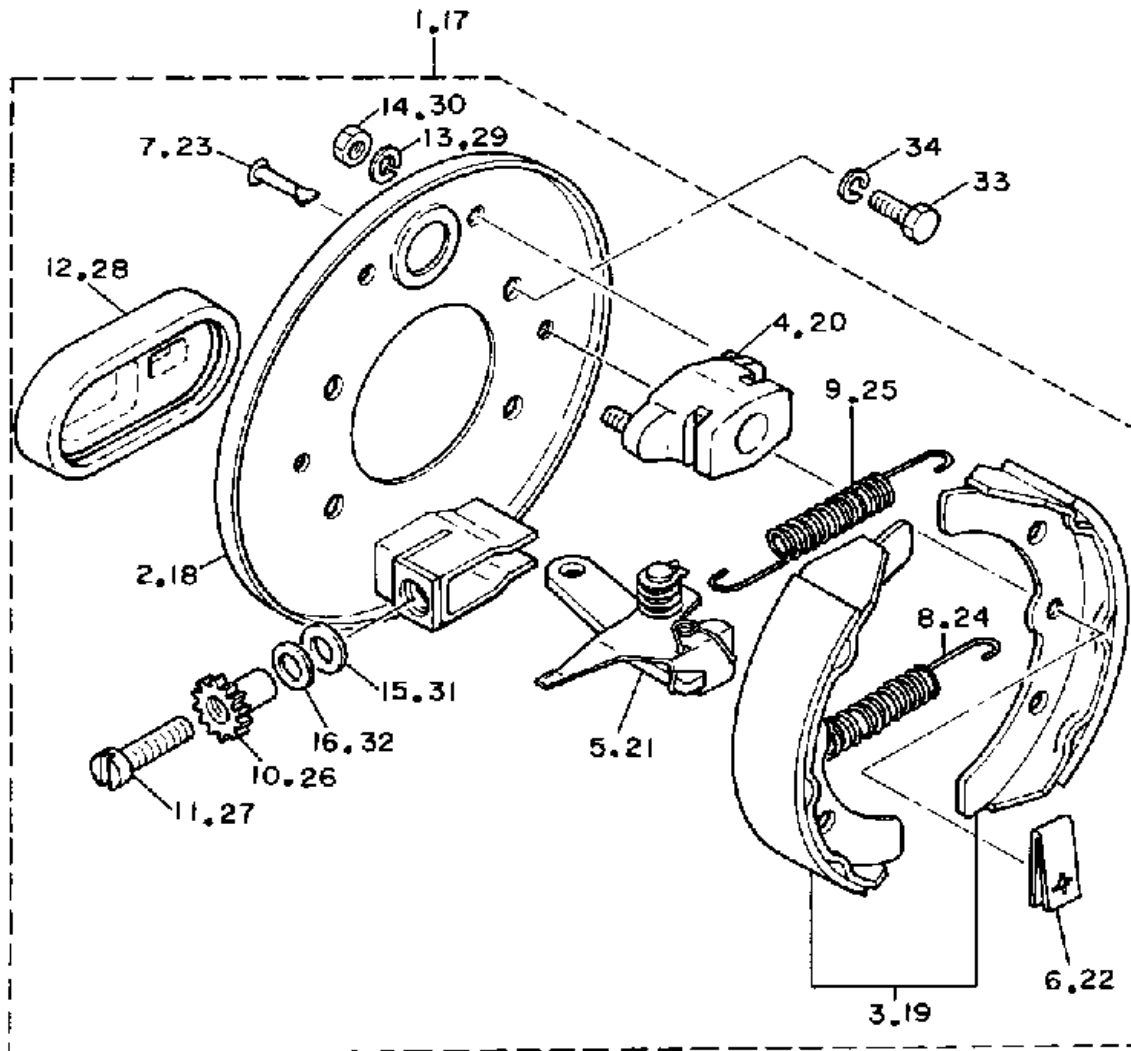
BRAKE



J46100-7050

Ref. No.	Part Number	Description	Qty	Remarks
57	90249-14129-00	PIN	1	
58	90179-08261-00	NUT	1	
59	95303-08700-00	NUT	1	
60	J56-F6341-00-00	CABLE, BRAKE	1	
61	J56-F6351-00-00	CABLE, BRAKE	1	
62	99001-09600-00	CIRCLIP	4	
63	91701-08018-00	PIN	4	
64	91490-25020-00	PIN, COTTER	4	

BRAKE 2

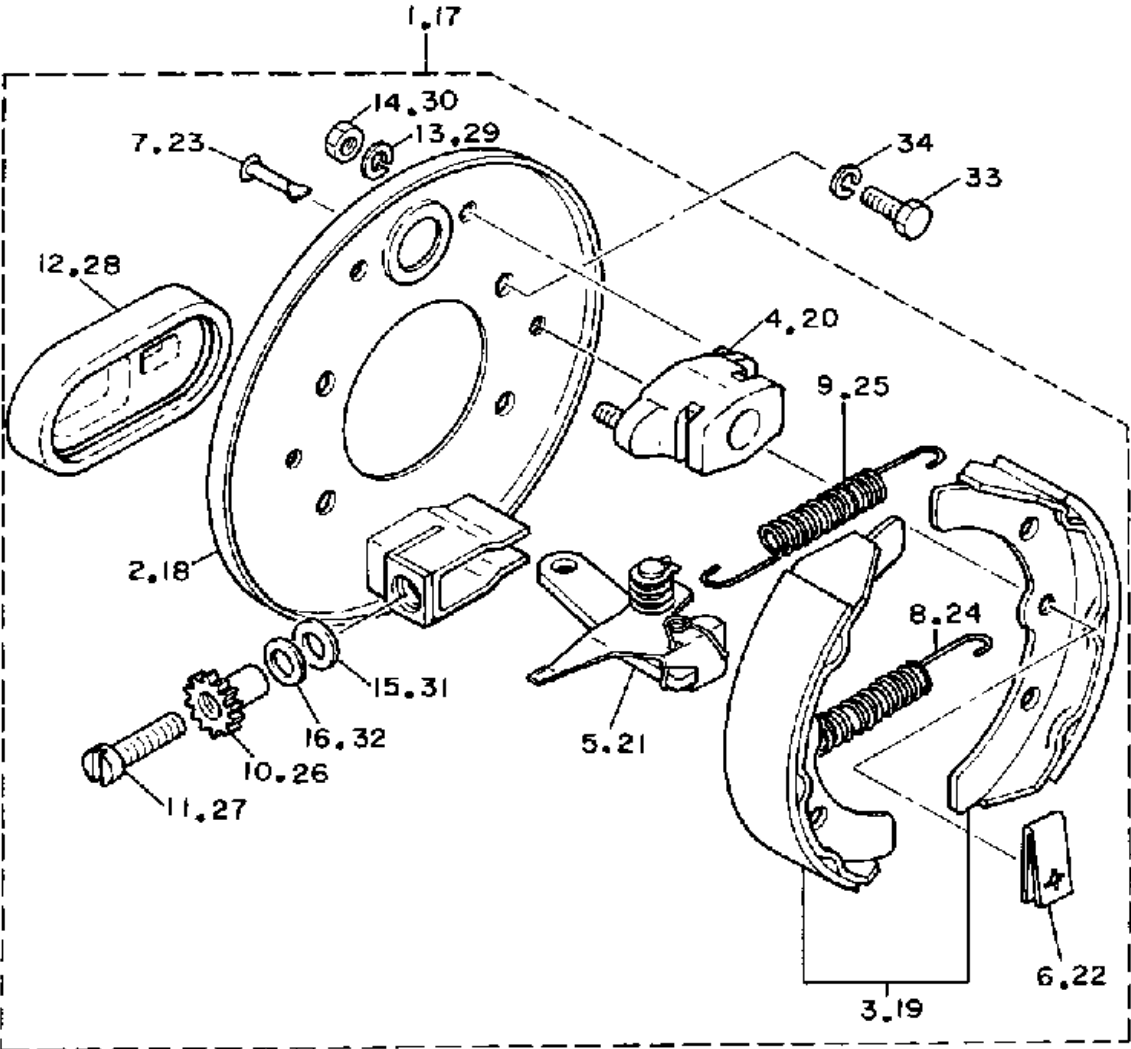


J46100-7060

Ref. No.	Part Number	Description	Qty	Remarks
1	J17-27280-01-00	BACKING PLT ASSEMBLY 1 ..	1	
2	J17-27208-00-00	. BACKING PLATE SUB ASSEMBLY 1 (R.H)	1	
3	J55-W2536-00-00	. BRAKE SHOE SET	1	
4	J17-27206-00-00	. ANCHOR BODY COMP.	1	
5	J17-27204-01-00	. LEVER ASSEMBLY 1	1	
6	J10-27281-00-00	. SPRING, SHOE CLAMP	2	
7	J10-27282-00-00	. PIN, SHOE HOLD DOWN	2	
8	90506-20281-00	. SPRING, TENSION	1	
9	90506-26191-00	. SPRING, TENSION	1	
10	J17-27238-00-00	. NUT, ADJUSTING	1	
11	90109-08657-00	. BOLT	1	
12	J10-27286-00-00	. COVER, DUST	1	
13	92995-06100-00	. WASHER, SPRING	2	
14	95380-06600-00	. NUT	2	
15	90201-121H8-00	. WASHER, PLATE	1	
16	90201-121H9-00	. WASHER, PLATE	1	
17	J17-27290-01-00	BACKING PLT ASSEMBLY 2 ..	1	
18	J17-27209-00-00	. BACKING PLATE SUB ASSEMBLY 2 (L.H)	1	
19	J55-W2536-00-00	. BRAKE SHOE SET	1	
20	J17-27206-00-00	. ANCHOR BODY COMP.	1	
21	J17-27205-01-00	. LEVER ASSEMBLY 2	1	
22	J10-27281-00-00	. SPRING, SHOE CLAMP	2	
23	J10-27282-00-00	. PIN, SHOE HOLD DOWN	2	
24	90506-20281-00	. SPRING, TENSION	1	
25	90506-26191-00	. SPRING, TENSION	1	
26	J17-27258-00-00	. NUT, ADJUSTING	1	
27	90109-08659-00	. BOLT	1	

CONTINUED ON NEXT FRAME ►

BRAKE 2

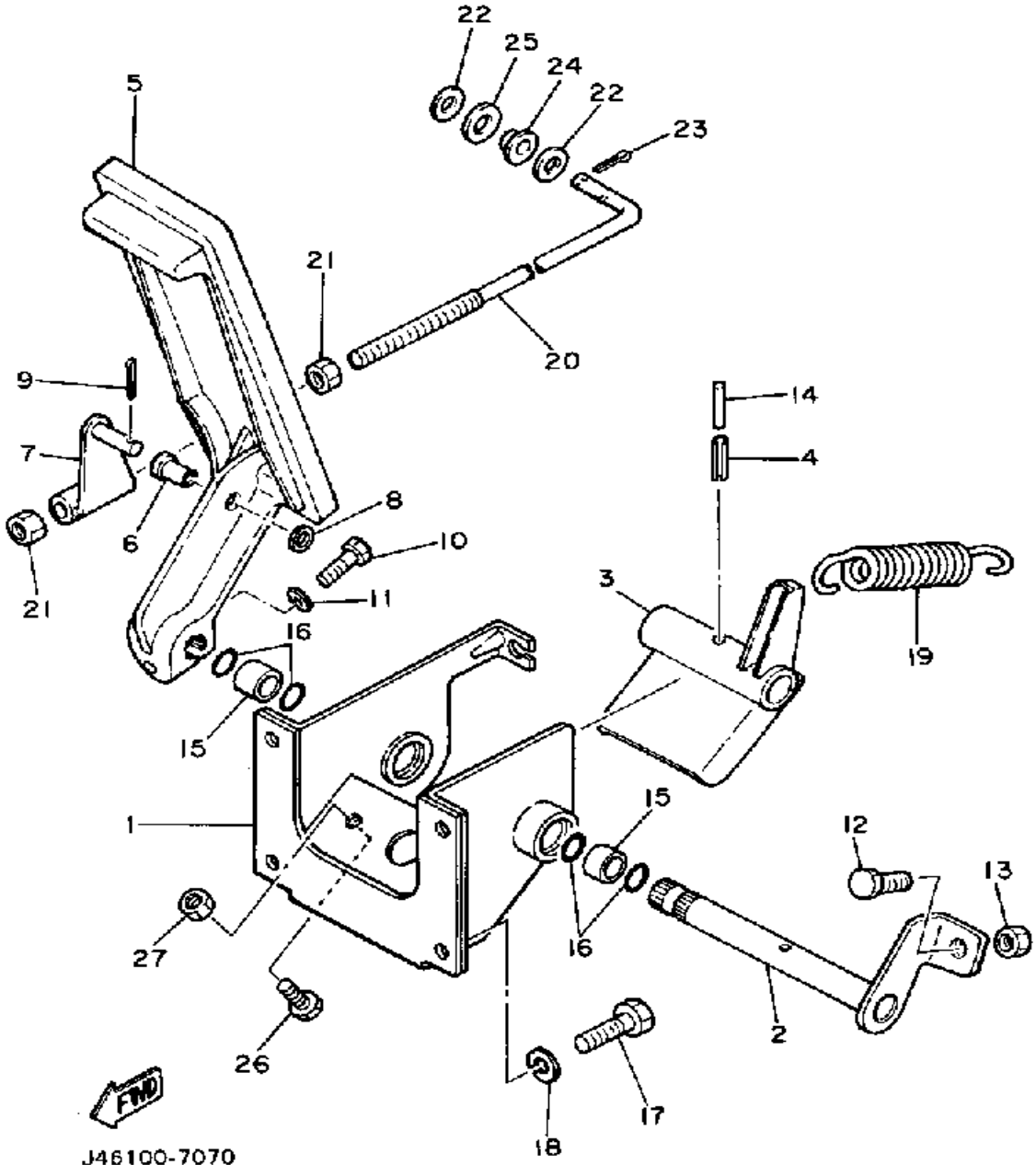


Ref. No.	Part Number	Description	Qty	Remarks
28	J10-27286-00-00	. COVER, DUST	1	
29	92995-06100-00	. WASHER, SPRING	2	
30	95380-06600-00	. NUT	2	
31	90201-121H8-00	. WASHER, PLATE	1	
32	90201-121H9-00	. WASHER, PLATE	1	
33	97011-08016-00	BOLT	8	
34	92990-08100-00	WASHER, SPRING	8	



J46100-7060

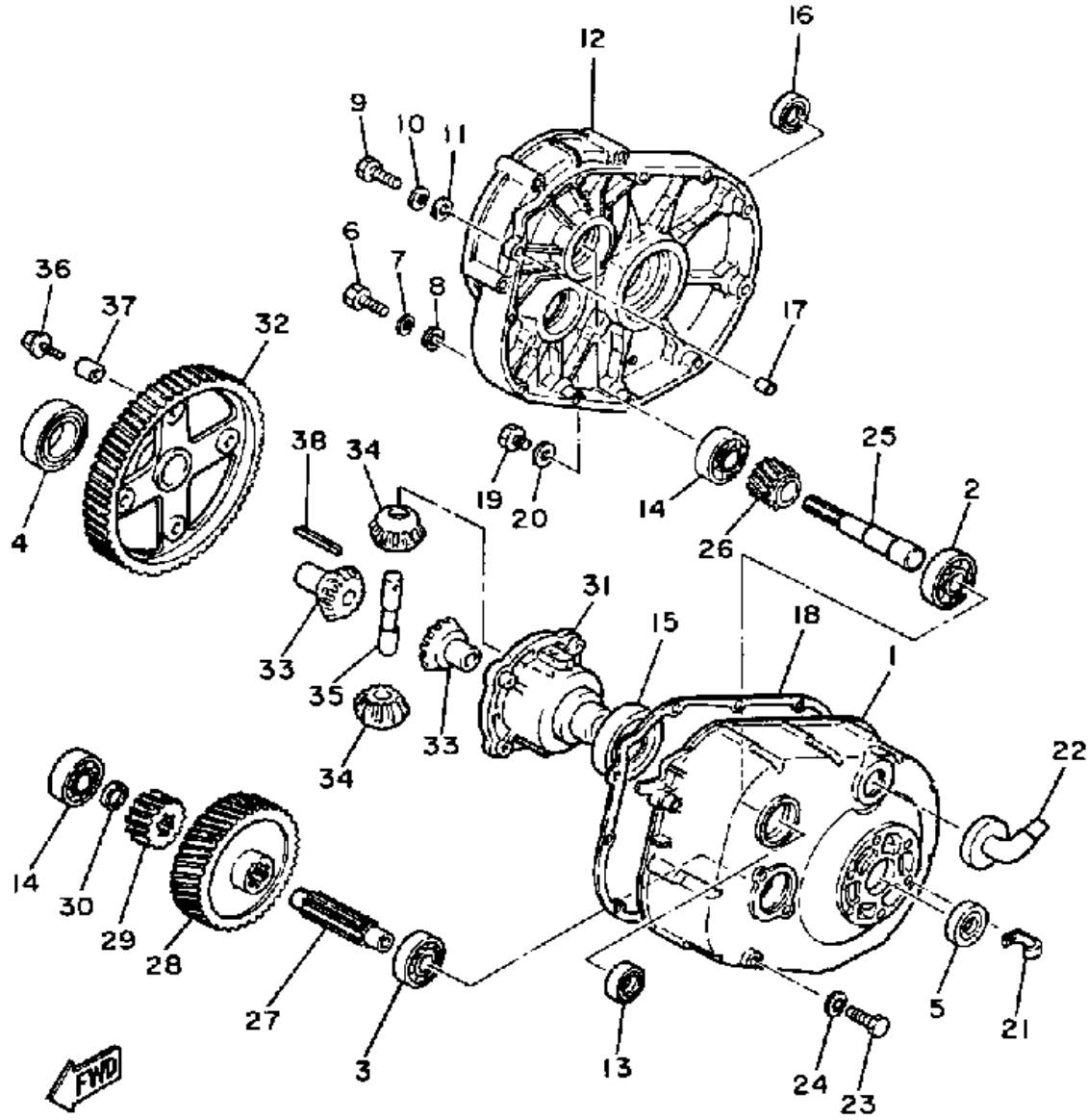
ACCELERATOR



J46100-7070

Ref. No.	Part Number	Description	Qty	Remarks
1	J17-27874-00-00	BRKT, ACCLTR PEDAL	1	
2	J17-27853-00-00	SHAFT, PEDAL 1	1	
3	J22-27872-00-00	ARM, ACCELERATOR	1	
4	91609-60028-00	PIN, SPRING	1	
5	JF3-27871-00-00	PEDAL, ACCELERATOR	1	
6	90381-06033-00	BUSH, SOLID	1	
7	J14-27815-00-00	LEVER, CRANK	1	
8	92990-06600-00	WASHER, PLATE	1	
9	91490-20020-00	PIN, COTTER	1	
10	97011-06025-00	BOLT (97001-06025)	1	
11	92995-06100-00	WASHER, SPRING	1	
12	90106-08040-00	BOLT, RD. HEX	1	
13	95303-08700-00	NUT	1	
14	91609-35028-00	PIN, SPRING	1	
15	90384-14080-00	BUSH, BIMETAL	2	
16	93210-14104-00	O-RING	4	
17	97313-06014-00	BOLT, HEXAGON	4	
18	92995-06100-00	WASHER, SPRING	4	
19	90506-29283-00	SPRING, TENSION	1	
20	J14-27241-00-00	ROD, JOINT	1	
21	95303-08700-00	NUT	2	
22	90201-07077-00	WASHER, PLAT	2	
23	91401-25020-00	PIN, COTTER	1	
24	90386-07100-00	BUSH	1	
25	90202-10116-00	WASHER, PLATE	1	
26	97011-06025-00	BOLT (97001-06025)	1	
27	95380-06700-00	NUT	1	

TRANSMISSION 1

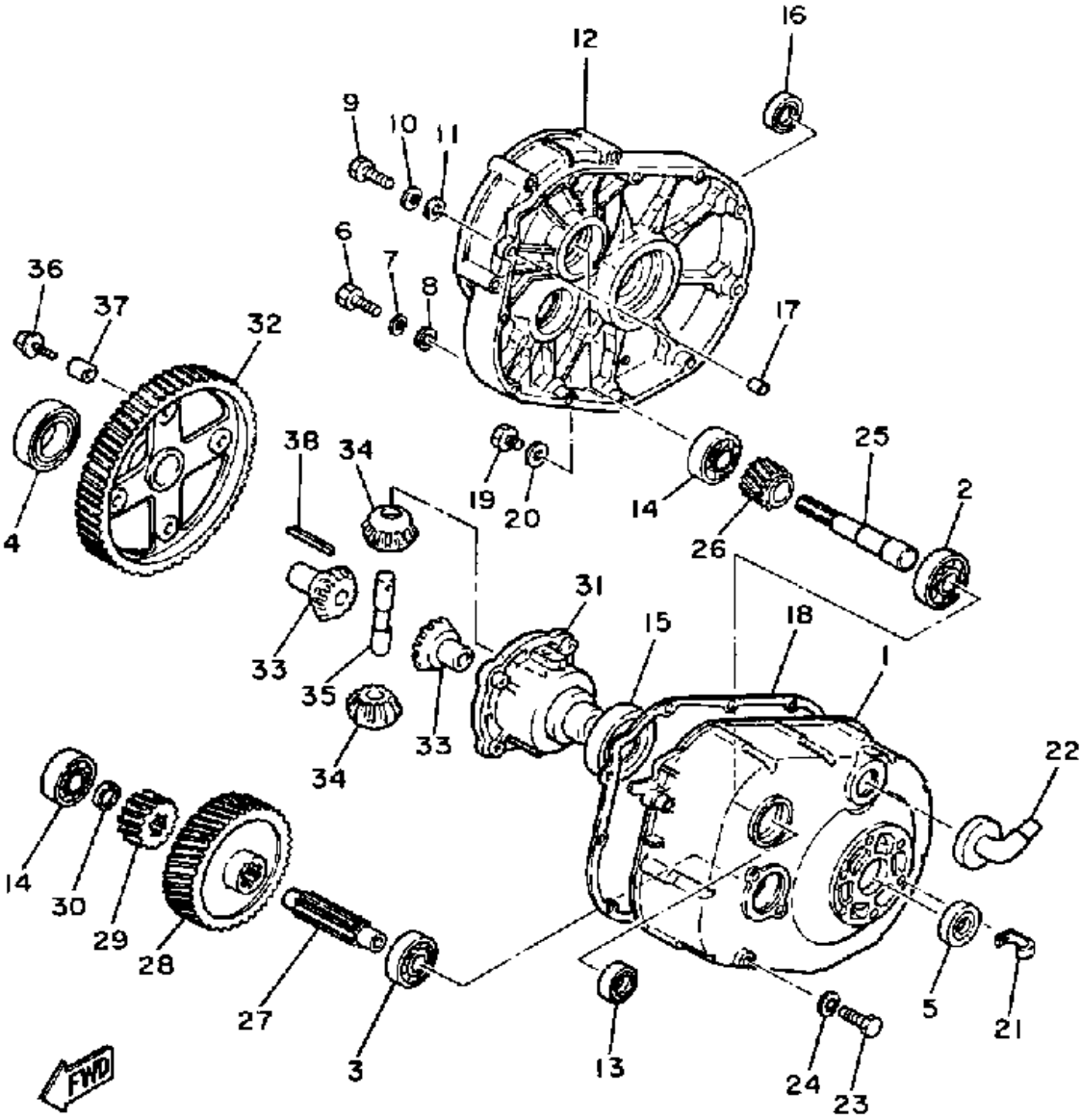


J41100-6080

Ref. No.	Part Number	Description	Qty	Remarks
1	J14-46311-00-00	CASE, TRANSMISSION 1	1	
2	93306-20541-00	BEARING (B6205)	1	
3	93306-20421-00	BEARING	1	
4	93306-00803-00	BEARING (B6008)	1	
5	93102-22189-00	OIL SEAL	1	
6	97313-08035-00	BOLT, HEXAGON	9	
7	92990-08100-00	WASHER, SPRING	9	
8	92901-08600-00	WASHER	9	
9	97313-08045-00	BOLT	2	
10	92990-08100-00	WASHER, SPRING	2	
11	92901-08600-00	WASHER	2	
12	J14-46312-02-00	CASE, TRANSMISSION 2	1	
13	93102-20143-00	OIL SEAL	1	
14	93306-20421-00	BEARING	2	
15	93306-00803-00	BEARING (B6008)	1	
16	93102-22189-00	OIL SEAL	1	
17	99510-12016-00	PIN, DOWEL	2	
18	J10-46319-00-00	GASKET	1	
19	90340-14036-00	PLUG, STRAIGHT SCRW	2	
20	90430-14043-00	GASKET	2	
21	90465-06100-00	CLAMP	1	
22	835-47559-00-00	CAP 2	1	
23	97011-10020-00	BOLT	2	
24	92990-10100-00	WASHER, SPRING	2	
25	J14-46321-01-00	SHAFT, INPUT	1	
26	J10-46331-02-00	GEAR, IMPUT 1	1	
27	J10-46351-00-00	SHAFT, COUNTER	1	
28	J10-46361-02-00	GEAR, COUNTER 1	1	
29	J17-46362-00-00	GEAR, COUNTER 2	1	

CONTINUED ON NEXT FRAME ➤

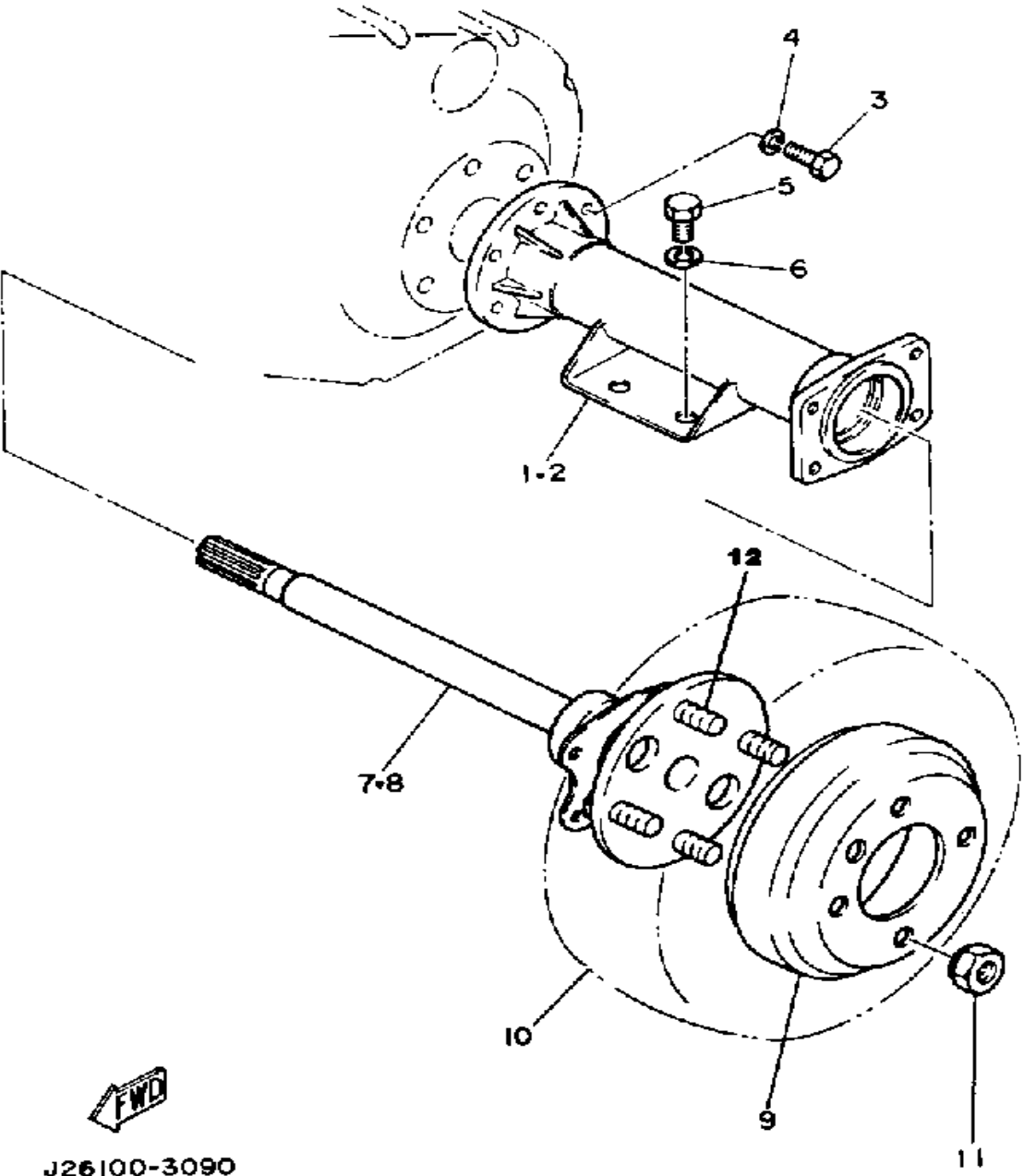
TRANSMISSION 1



J41100-6080

Ref. No.	Part Number	Description	Qty	Remarks
30	90201-20272-00	WASHER, PLATE	1	
31	J38-46411-01-00	CASE, DIFFERENTIAL	1	
32	J41-46421-00-00	GEAR, RING	1	
33	J38-46414-00-00	GEAR, DIFFERENTIAL SIDE ..	2	
34	J38-46415-00-00	PINION, DIFFERENTIAL	2	
35	J38-46417-02-00	PIN, DIFFERENTIAL	1	
36	90105-08390-00	BOLT, WASHER BASED	4	
37	91812-16001-00	PIN, DOWEL	2	
38	91609-40040-00	PIN, SPRING	1	

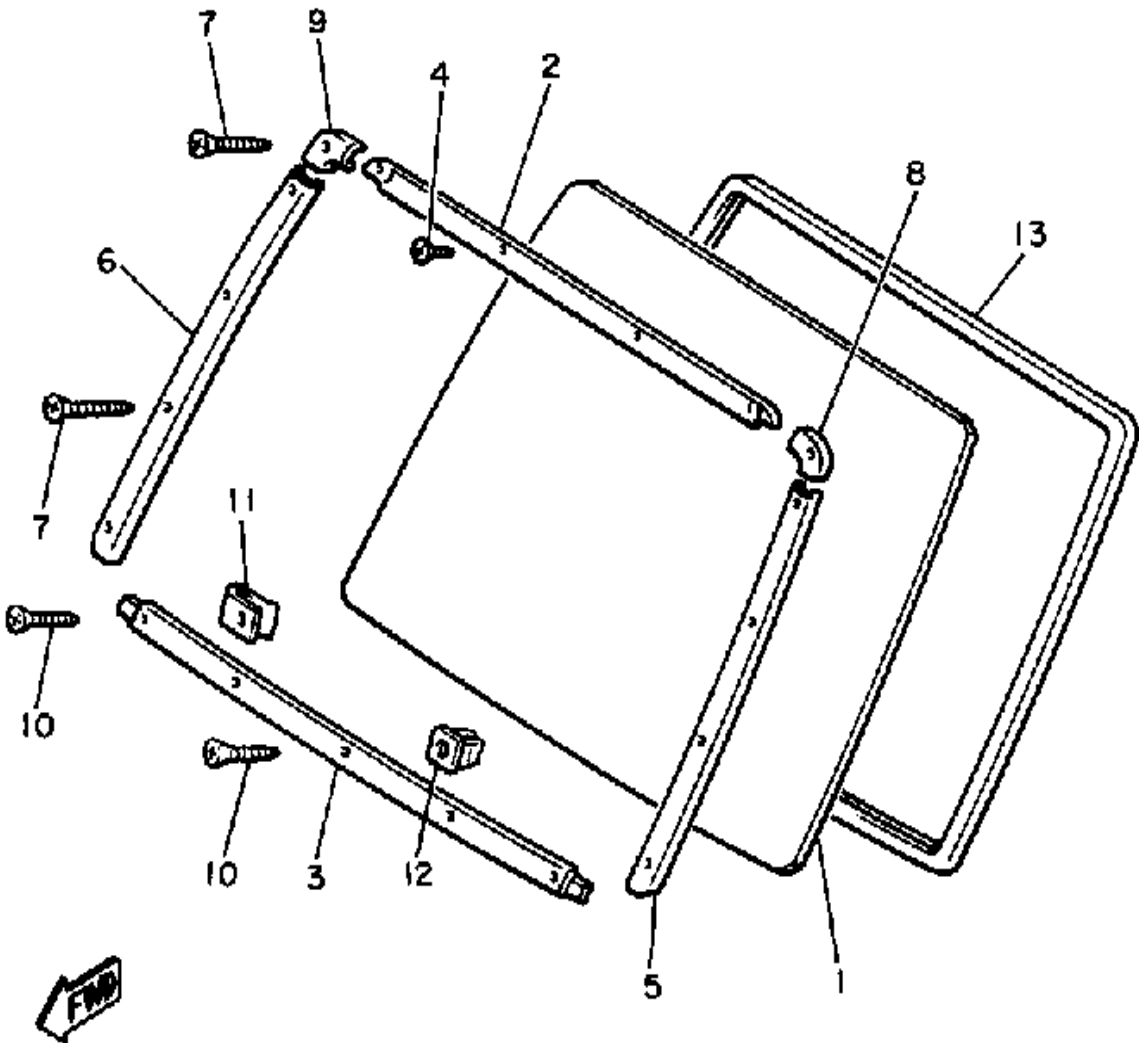
REAR AXLE - WHEEL



Ref. No.	Part Number	Description	Qty	Remarks
1	J14-46540-00-00	R.AXLE HOUSING 1	1	
2	J14-46550-00-00	R.AXLE HOUSING 2	1	
3	97312-08025-00	BOLT (97012-08025)	12	
4	92990-08100-00	WASHER, SPRING	12	
5	97011-10020-00	BOLT	8	
6	92990-10100-00	WASHER, SPRING	8	
7	J22-46510-01-00	REAR AXLE SHAFT 1 (J14-46510-01)	1	
8	J22-46520-01-00	REAR AXLE SHAFT 2 (J14-46520-01)	1	
9	J55-G6521-00-00	DRUM	2	
10	*---	FRONT WHEEL ASSEMBLY ..	2	SEE NOTE
11	90179-12262-00	NUT	8	
12	90114-12004-00	BOLT, RIBBED NECK	8	

FWD
J26100-3090

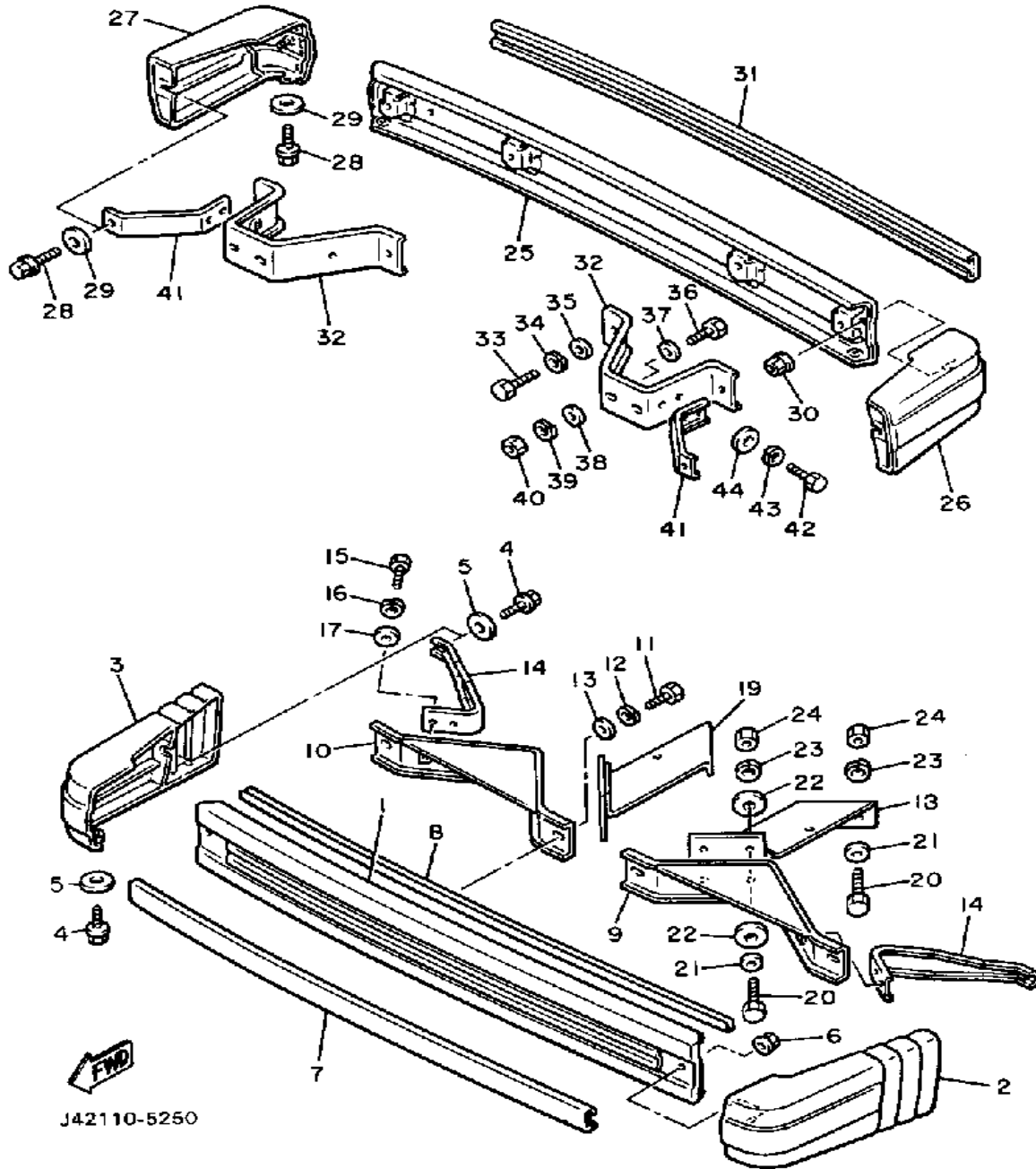
WINSHEILD



J42110-5240

Ref. No.	Part Number	Description	Qty	Remarks
1	J42-77211-00-00	WINDSHIELD	1	
2	J42-77213-00-00	TRIM, upper	1	
3	J42-77226-00-00	TRIM 6	1	
4	97706-40716-00	SCREW, tapping	2	
5	J42-77214-00-00	TRIM, lower	1	
6	J42-77215-00-00	TRIM 3	1	
7	97706-40330-00	SCREW, tapping	12	
8	J42-77216-00-00	TRIM 4	1	
9	J42-77225-00-00	TRIM 5	1	
10	(97706-40725-00)	SCREW, TAPPING	5	
11	90183-04056-00	NUT, spring	2	
12	(90480-07449-00)	GROMMET	3	
13	J42-77227-01-00	PACKING, windshield	1	

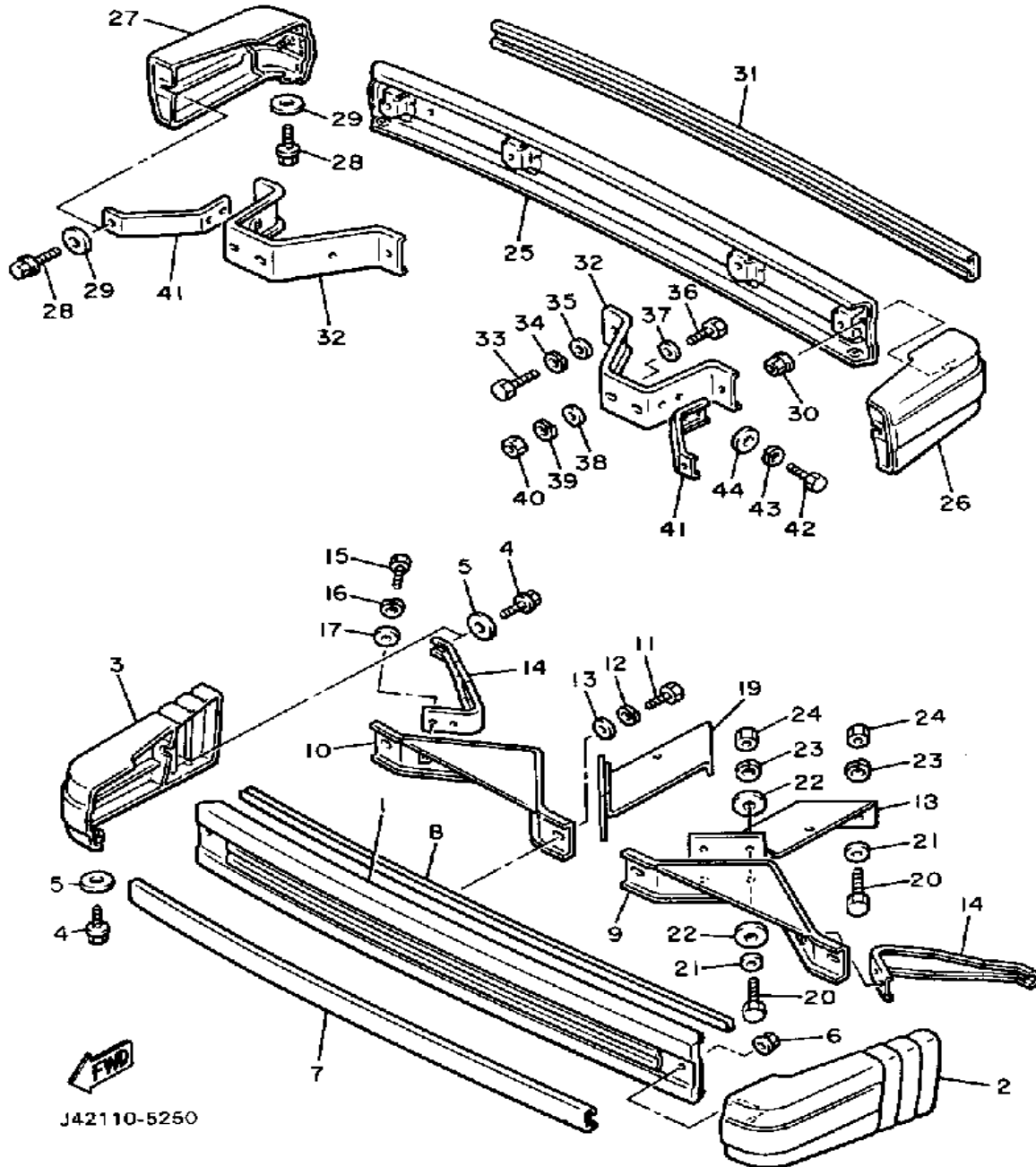
BUMPER



Ref. No.	Part Number	Description	Qty	Remarks
1	J42-78106-00-00	BUMPER SUB-ASS'Y, front	1	
2	J42-77505-00-00	BUMPER RUBBER COMP. 1	1	
3	J42-77506-00-00	BUMPER RUBBER COMP. 2	1	
4	95816-06016-00	BOLT, FLANGE	4	
5	90201-060A3-00	WASHER, PLATE	4	
6	95701-06500-00	NUT, FLANGE	2	
7	J42-78162-00-00	PAD, front bumper	1	
8	J42-77588-00-00	DAMPER	1	
9	J42-78164-00-00	STAY, FRT BUMPER 1 (J17-78165-00)	1	
10	J42-78165-00-00	STAY, FRT BUMPER 2 (J17-78165-00)	1	
11	97011-08016-00	BOLT	4	
12	92990-08100-00	WASHER, SPRING	4	
13	92990-08600-00	WASHER, PLATE	4	
14	J42-77535-00-00	STAY 1	2	
15	97313-06016-00	BOLT, HEXAGON	4	
16	92995-06100-00	WASHER, SPRING	4	
17	90201-065F3-00	WASHER, PLATE	4	
18	95816-06016-00	BOLT, FLANGE	4	
19	J42-78176-00-00	STAY, front bumper 3	1	
19	J42-78177-00-00	STAY, front bumper 4	1	
20	97312-08025-00	BOLT (97012-08025)	8	
21	92990-08600-00	WASHER, PLATE	8	
22	90201-085E6-00	WASHER PLATE	8	
23	92990-08100-00	WASHER, SPRING	8	
24	95333-08600-00	NUT	8	
25	J42-78107-00-00	BUMPER SUB-ASS'Y, rear	1	
26	J42-77507-00-00	BUMPER RUBBER COMP. 3	1	

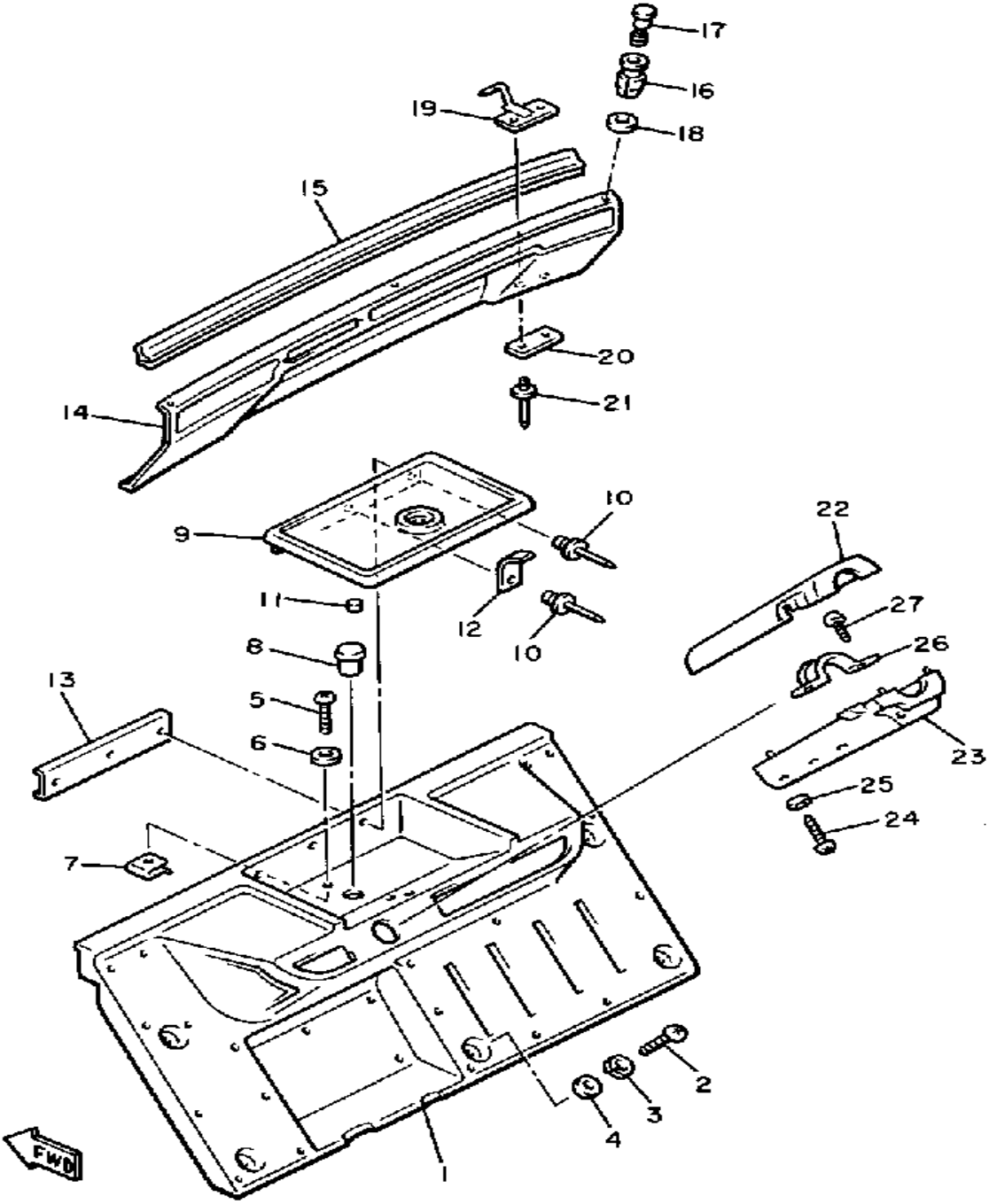
CONTINUED ON NEXT FRAME ►

BUMPER



Ref. No.	Part Number	Description	Qty	Remarks
27	J42-77508-00-00	BUMPER RUBBER COMP. 4	1	
29	90201-060A3-00	WASHER, PLATE	4	
30	95701-06500-00	NUT, FLANGE	2	
31	J42-78162-00-00	PAD, front bumper	1	
32	J42-78174-00-00	STAY, REAR BUMPER (J10-78174-01)	2	
33	97011-08016-00	BOLT	4	
34	92990-08100-00	WASHER, SPRING	4	
35	92990-08600-00	WASHER, PLATE	4	
36	97312-08025-00	BOLT (97012-08025)	4	
37	92990-08600-00	WASHER, PLATE	4	
38	90201-085E6-00	WASHER PLATE	4	
39	92990-08100-00	WASHER, SPRING	4	
40	95333-08600-00	NUT	4	
41	J42-77536-00-00	STAY 2	2	
42	97313-06016-00	BOLT, HEXAGON	4	
43	92995-06100-00	WASHER, SPRING	4	
44	90201-065F3-00	WASHER, PLATE	4	

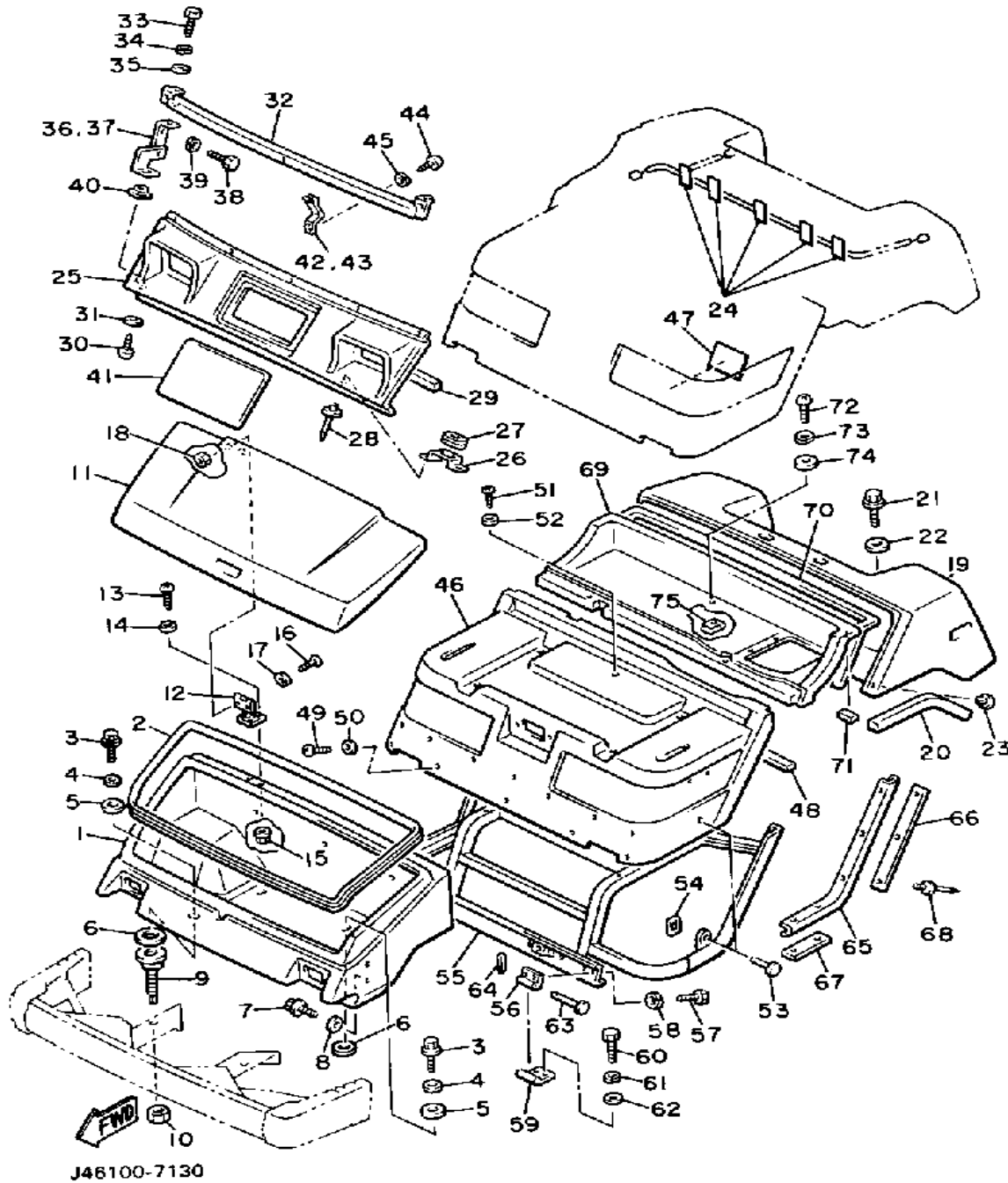
INSTRUMENT PANEL



J42110-5260

Ref. No.	Part Number	Description	Qty	Remarks
1	J42-77711-01-00	PANEL, instrument	1	
2	98503-06014-00	SCREW, PAN HEAD (92502-06016)	5	
3	92995-06100-00	WASHER, SPRING	5	
4	90201-06697-00	WASHER, PLATE	5	
5	98980-06016-00	SCREW, BINDING	1	
6	90201-06697-00	WASHER, PLATE	1	
7	90183-06028-00	NUT, SPRING	1	
8	90338-24112-00	PLUG, SPEC'L SHAPE	1	
9	J42-77736-00-00	LID, glove box	1	
10	90267-48086-00	RIVET, BLIND	3	
11	(J42-77739-00-00)	DAMPER, LID	2	
12	J42-78288-00-00	SPRING, lid	1	
13	(J42-7812E-00-00)	SUPP, UPPER COWL LH	1	
14	J42-77251-01-00	COVER, headlight	1	
15	J42-78248-00-00	SEAL 4	1	
16	4X7-24742-00-00	GROMMET (J42-24742-00-00)	3	
17	5K7-28188-00-00	PLUNGER (J42-28188-00-00)	3	
18	90202-07127-00	WASHER, plate	3	
19	J42-77724-00-00	BRACKET 4	2	
20	J42-77728-00-00	WASHER	2	
21	90267-40075-00	RIVET, BLIND	4	
22	J50-K7732-00-00	COVER, STEER SHFT 1	1	
23	J50-K7733-00-00	COVER, STEER SHFT 2	1	
24	97702-50540-00	SCREW, TAPPING	4	
25	92901-05600-00	WASHER, PLATE	4	
26	(J42-77734-00-00)	BRACKET, STEER.COV.	2	
27	97780-50120-00	SCREW, TAPPING	4	

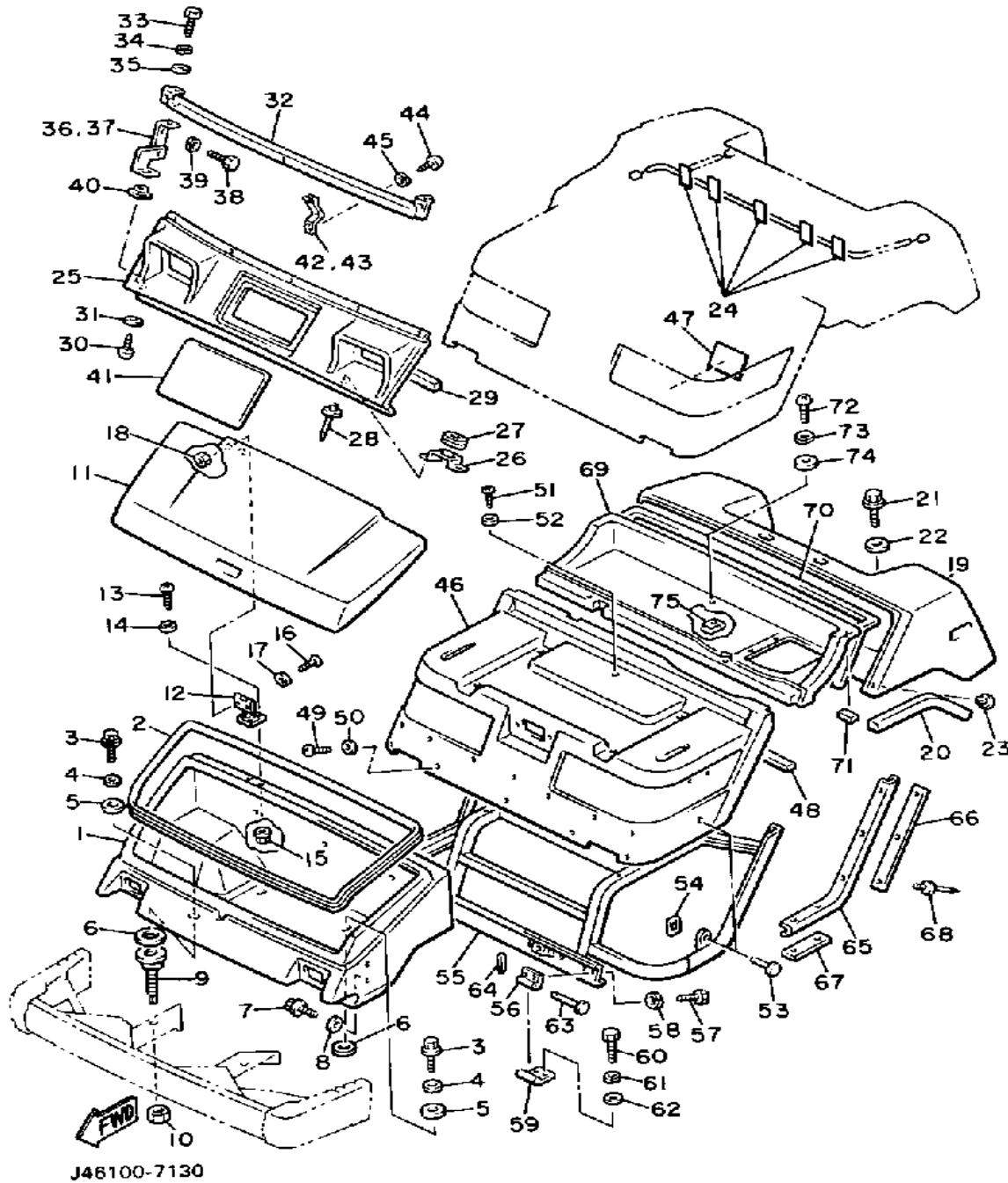
BODY



Ref. No.	Part Number	Description	Qty	Remarks
1	J42-7810A-00-00	FRONT COMP	1	
2	J42-7815G-00-00	SEAL, front storage	1	
3	95811-08030-00	BOLT, FLANGE	4	
4	90201-084K7-00	WASHER, PLATE	4	
5	90202-09167-00	WASHER, plate	4	
6	90202-09169-00	WASHER, plate	4	
7	90119-06063-00	BOLT, WITH WASHER	4	
8	90201-06074-00	WASHER, PLATE	4	
9	J42-77519-00-00	BOLT	2	
10	95301-14700-00	NUT	2	
11	J42-7810E-01-00	FRONT STORAGE LID COMP (J42-7810E-00)	1	
12	J42-78153-00-00	HINGE, front lid	2	
13	98511-04025-00	SCREW, PAN HEAD	8	
14	92990-04200-00	WASHER, PLAIN	8	
15	95701-04300-00	NUT, flange	8	
16	98701-05016-00	SCREW, FLAT HEAD	4	
17	92990-05200-00	WASHER, PLAIN	4	
18	95701-05300-00	NUT, NYLON	4	
19	J42-7810H-01-00	REAR BODY COMP (J42-7810H-00)	1	
20	J42-7814E-00-00	SEAL, body side 1	2	
21	95821-08020-00	BOLT, FLANGE (95801-08020)	4	
22	90201-084K7-00	WASHER, PLATE	4	
23	90269-06046-00	RIVET	2	
24	(J42-7717E-00-00)	TAPE 1	5	
25	J42-7811J-00-00	BASE, headlight	1	
26	J42-77723-01-00	BRACKET 3	2	
27	90480-22084-00	GROMMET	2	

CONTINUED ON NEXT FRAME ►

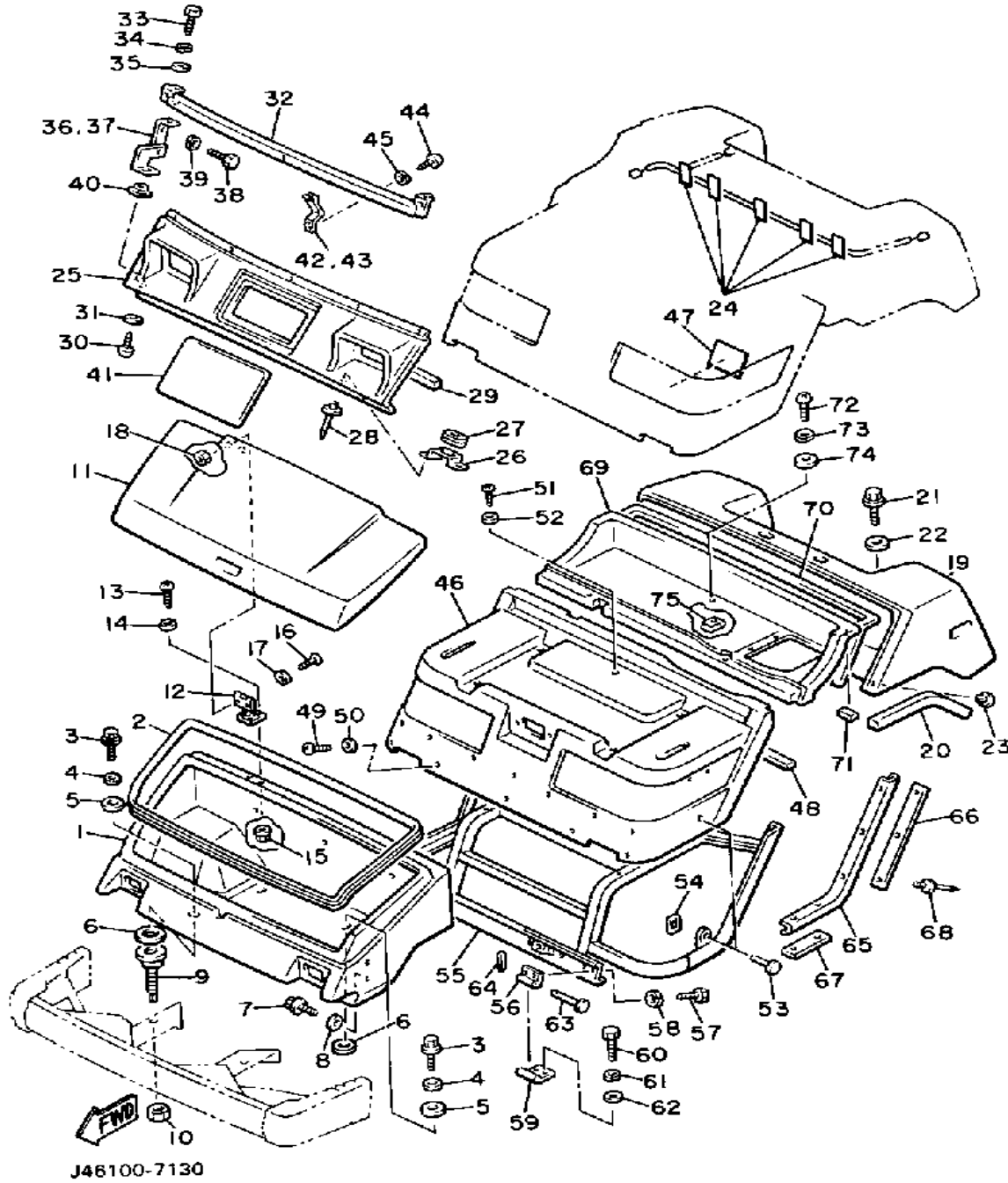
BODY



Ref. No.	Part Number	Description	Qty	Remarks
28	90267-40075-00	RIVET, BLIND	4	
29	J42-78247-01-00	SEAL 3	1	
30	97706-50125-00	SCREW, tapping	2	
31	90201-05033-00	WASHER, PLATE	2	
32	J42-78122-01-00	REINFORCEMENT 2	1	
33	97313-06016-00	BOLT, HEXAGON	2	
34	92995-06100-00	WASHER, SPRING	2	
35	90201-06074-00	WASHER, PLATE	2	
36	J42-77721-01-00	BRACKET 1	1	
37	J42-77722-01-00	BRACKET 2	1	
38	97313-08020-00	BOLT, HEXAGON	4	
39	92990-08100-00	WASHER, SPRING	4	
40	90480-07241-00	GROMMET	2	
41	J42-7813H-00-00	COVER, ventilator	1	
42	J42-7813M-01-00	HINGE, VENTILATOR 1 (L.H)	1	
43	J42-7813N-01-00	HINGE, VENTILATOR 2 (R.H)	1	
44	97780-50612-00	SCREW, TAPPING	4	
45	92990-05100-00	WASHER, SPRING	4	
46	J46-78141-00-00	PANEL, INTERM.BODYINTERMEDIATE BODY	1	
47	(J46-77765-00-00)	LABEL, WARNING 5	1	
48	J42-7814A-01-00	SEAL, body upper	1	
49	98980-06025-00	SCREW, BIND	2	
50	90201-06697-00	WASHER, PLATE	2	
51	97780-50612-00	SCREW, TAPPING	1	
52	90201-05556-00	WASHER, PLATE	1	
53	90338-06184-00	PLUG	2	
54	90183-06011-00	NUT, SPRING	2	

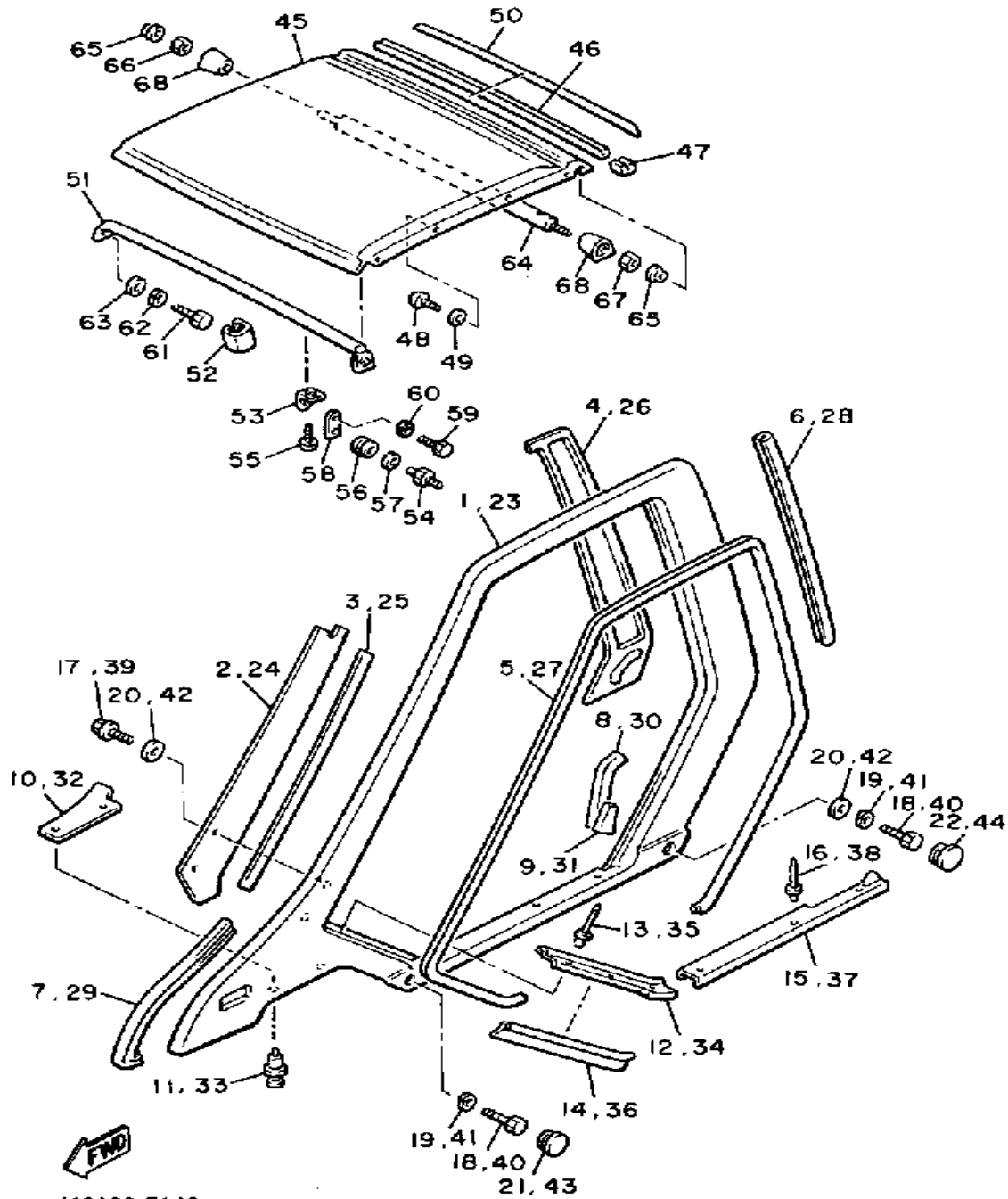
CONTINUED ON NEXT FRAME ►

BODY



Ref. No.	Part Number	Description	Qty	Remarks
55	J46-78121-00-00	REINFORCEMENT 1	1	
56	J55-K8143-00-00	HINGE, INTERMEDIATE BODY 1	2	
57	97013-06012-00	BOLT	4	
58	92995-06100-00	WASHER, SPRING	4	
59	J55-K8144-00-00	HINGE, INTERMEDIATE BODY 2	2	
60	97011-06025-00	BOLT (97001-06025)	4	
61	92995-06100-00	WASHER, SPRING	4	
62	92990-06600-00	WASHER, PLATE	4	
63	91790-06125-00	PIN, CLEVIS	2	
64	91490-20015-00	PIN, COTTER	2	
65	J42-7814V-01-00	SEAL, body side 6	2	
66	J42-7815A-00-00	PLATE, seal support 1	2	
67	J42-7815E-00-00	PLATE, seal support 2	2	
68	90267-32108-00	RIVET, blind	10	
69	J42-7810L-01-00	INSPECTION, lid	1	
70	J42-78159-00-00	SEAL, inspection lid	1	
71	J46-78316-00-00	DAMPER	2	
72	98580-06016-00	SCREW, PAN HEAD	3	
73	92995-06100-00	WASHER, SPRING	3	
74	90201-06697-00	WASHER, PLATE	3	
75	90183-06028-00	NUT, SPRING	1	

BODY 2

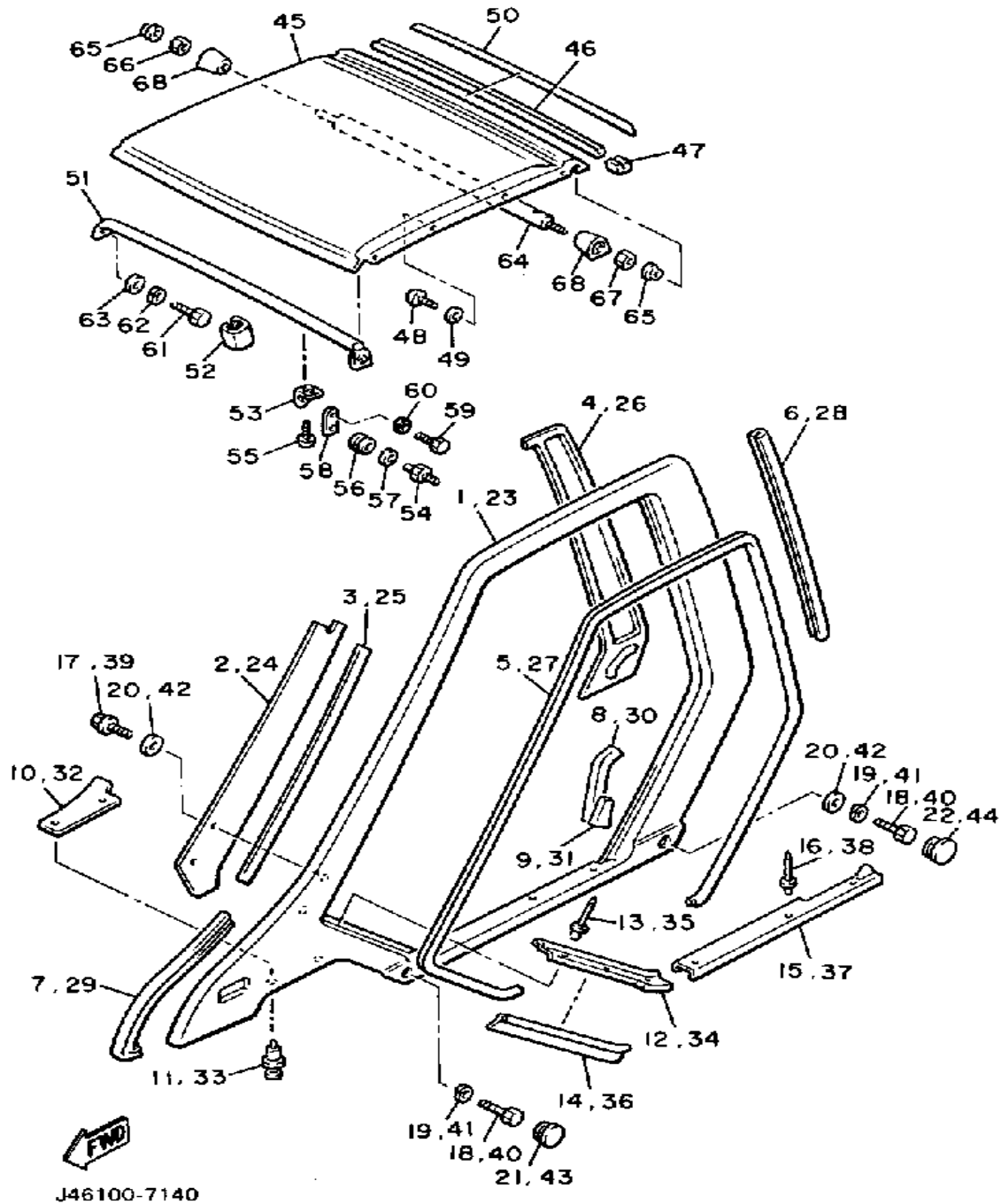


J46100-7140

Ref. No.	Part Number	Description	Qty	Remarks
1	J42-7810F-00-00	SIDE PANEL COMP. (L.H)	1	
2	J42-7817A-00-00	COVER, front pillar (L.H)	1	
3	J42-7717F-00-00	TAPE 2	1	
4	J42-7817F-00-00	COVER, rear pillar (L.H)	1	
5	J42-7817H-00-00	TRIM, side panel 1	1	
6	J42-7817J-00-00	TRIM, side panel 2	1	
7	J42-7817K-00-00	TRIM, side panel 3	1	
8	J42-7814F-00-00	SEAL, body side 2	1	
9	J42-7814R-00-00	SEAL, body side (L.H)	1	
10	J42-7818J-00-00	FLAP, side panel	1	
11	90269-07048-00	RIVET	2	
12	J42-7811L-00-00	TRIM, cowl side (L.H)	1	
13	90267-48051-00	RIVET, BLIND	3	
14	J42-7814T-01-00	SEAL, body side 4	1	
15	J42-78249-01-00	TRIM, floor	1	
16	90267-48051-00	RIVET, BLIND	3	
17	95821-08020-00	BOLT, FLANGE (95801-08020)	4	
18	97313-08020-00	BOLT, HEXAGON	2	
19	92990-08100-00	WASHER, SPRING	2	
20	90201-084K3-00	WASHER, PLATE	5	
21	90338-24177-00	PLUG	1	
22	90338-40178-00	PLUG	1	
23	J42-7810G-00-00	SIDE PANEL COMP. (R.H)	1	
24	J42-7817E-00-00	COVER, front pillar (R.H)	1	
25	J42-7717F-00-00	TAPE 2	1	
26	J42-7817G-00-00	COVER, rear pillar (R.H)	1	
27	J42-7817H-00-00	TRIM, side panel 1	1	
28	J42-7817J-00-00	TRIM, side panel 2	1	
29	J42-7817K-00-00	TRIM, side panel 3	1	

CONTINUED ON NEXT FRAME ➤

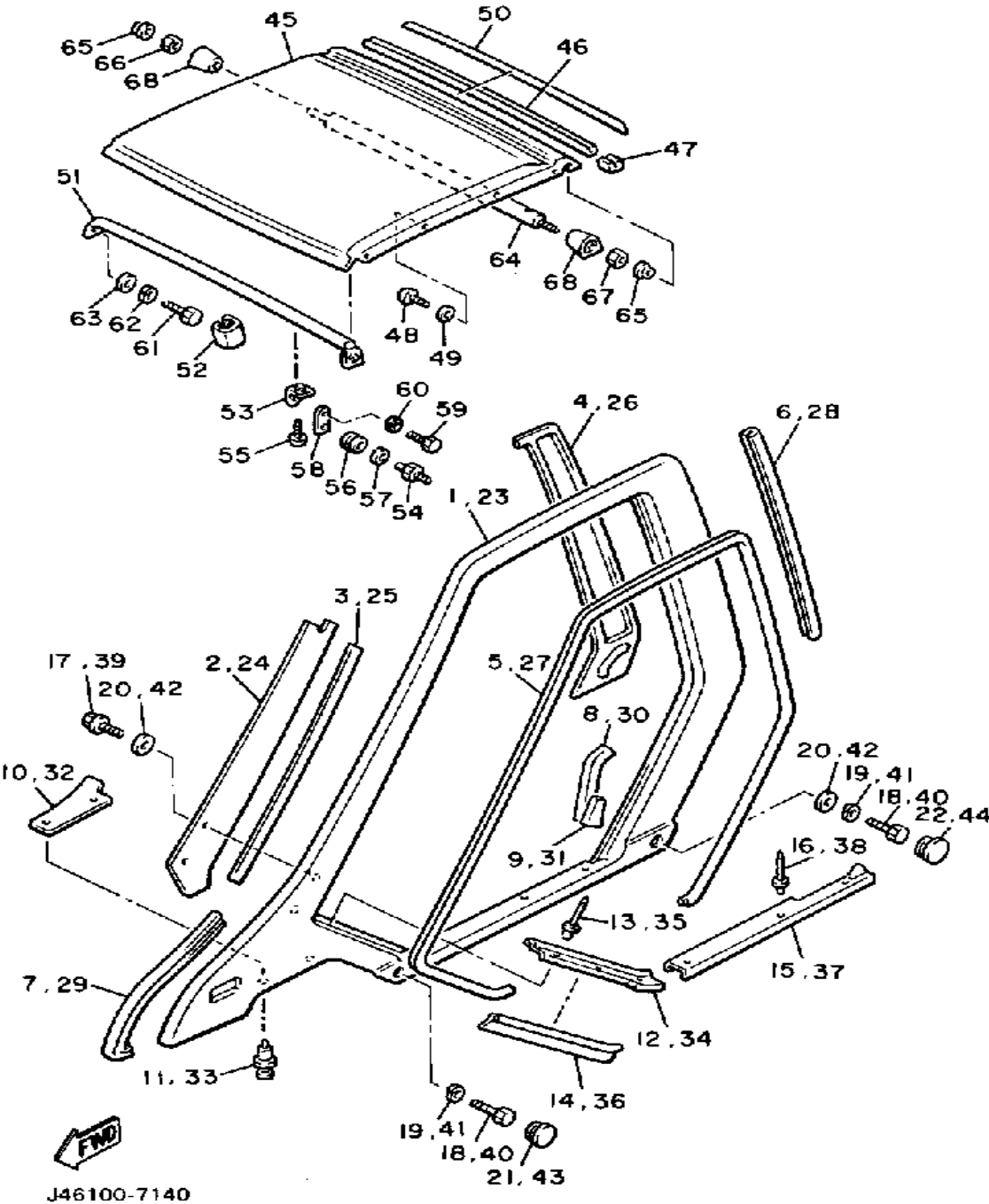
BODY 2



Ref. No.	Part Number	Description	Qty	Remarks
30	J42-7814F-00-00	SEAL, body side 2	1	
31	J42-7814R-00-00	SEAL, body side (L.H)	1	
32	J42-7818J-00-00	FLAP, side panel	1	
33	90269-07048-00	RIVET	2	
34	J42-7811M-00-00	TRIM, cowl side (R.H)	1	
35	90267-48051-00	RIVET, BLIND	3	
36	J42-7814T-01-00	SEAL, body side 4	1	
37	J42-7824A-01-00	TRIM, floor 2	1	
38	90267-48051-00	RIVET, BLIND	3	
39	95821-08020-00	BOLT, FLANGE (95801-08020)	4	
40	97313-08020-00	BOLT, HEXAGON	2	
41	92990-08100-00	WASHER, SPRING	2	
42	90201-084K3-00	WASHER, PLATE	5	
43	90338-24177-00	PLUG	1	
44	90338-40178-00	PLUG	1	
45	J42-78314-00-00	COVER, sun roof	1	
46	J42-78315-00-00	TRIM, roof	1	
47	J42-7831K-00-00	END, roof trim	2	
48	97780-50320-00	SCREW, tapping	8	
49	90209-05275-00	WASHER	8	
50	J42-7832A-00-00	REFLECTOR, sun-roof	1	
51	J42-78312-01-00	SUPPORT, sun roof 1	1	
52	J42-78349-02-00	CAP, support roof	2	
53	J42-78381-01-00	BRACKET, MIRROR	2	
54	J42-78382-00-00	JOINT, screw	2	
55	97706-40510-00	SCREW, TAPPING	6	
56	90480-14229-00	GROMMET	2	
57	90209-10229-00	WASHER	2	
58	J42-78326-00-00	BRACKET 4	2	

CONTINUED ON NEXT FRAME ►

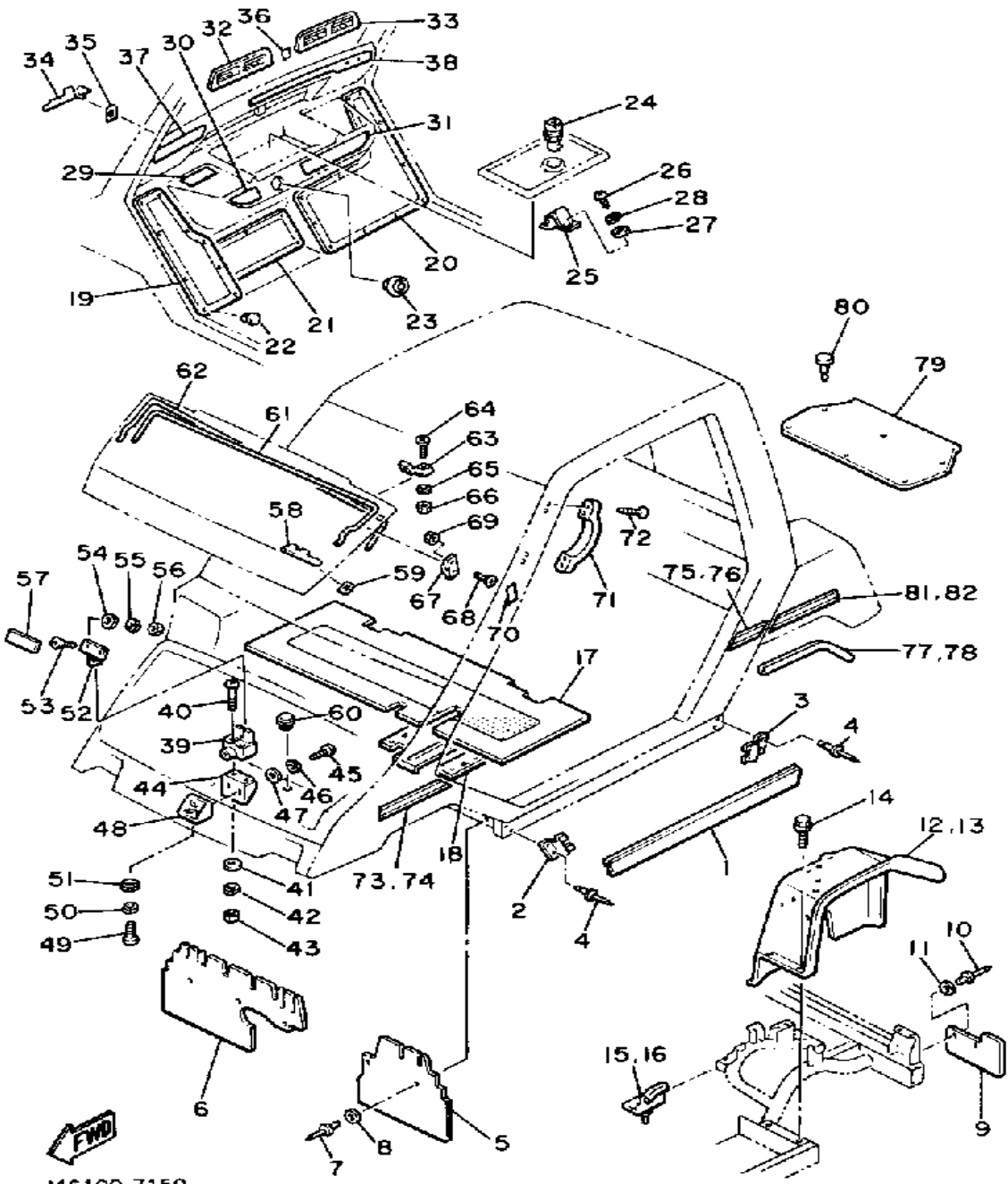
BODY 2



Ref. No.	Part Number	Description	Qty	Remarks
59	97026-06012-00	BOLT	2	
60	92906-06100-00	WASHER, SPRING	2	
61	97312-08025-00	BOLT (97012-08025)	2	
62	92990-08100-00	WASHER, SPRING	2	
63	90201-08730-00	WASHER, PLATE	2	
64	J42-78313-00-00	SUPPORT, sun roof 2	1	
65	(90560-10023-00)	SPACER	2	
66	95303-10600-00	NUT (95301-10600)	1	
67	90170-10186-00	NUT	1	
68	J42-7832F-01-00	GROMMET, roof support 1	2	

J46100-7140

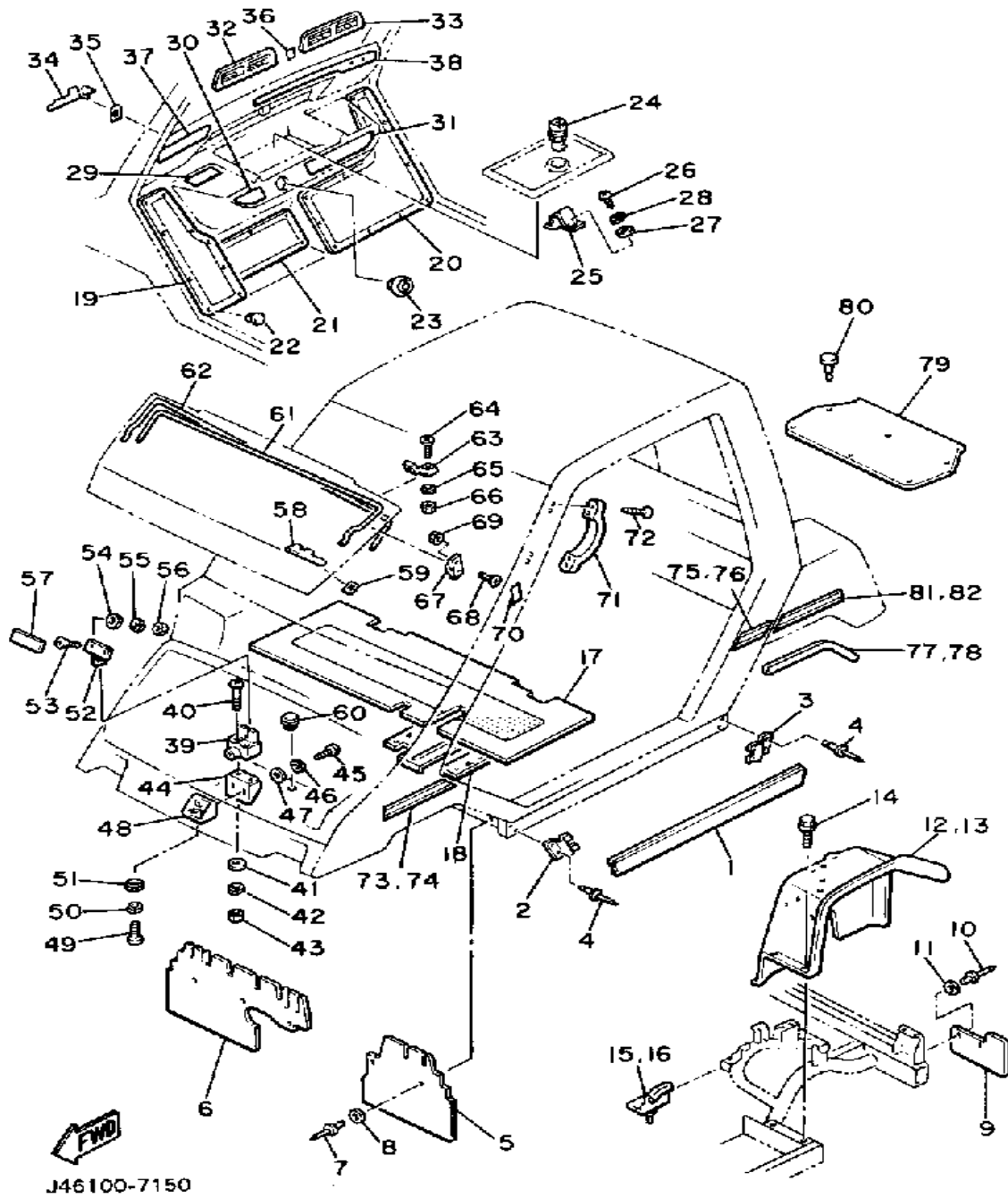
BODY FITTING



Ref. No.	Part Number	Description	Qty	Remarks
1	J42-7818A-00-00	PROTECTOR, side plate	2	
2	J42-78183-00-00	PLATE, side sill (L.H)	2	
3	J42-78184-00-00	PLATE, side sill (R.H)	2	
4	90267-48116-00	RIVET, blind	8	
5	J42-78187-00-00	FLAP, front fender	1	
6	J42-78189-00-00	FLAP, front fender (R.H)	1	
7	90267-40075-00	RIVET, BLIND	5	
8	90201-05034-00	WASHER, PLATE	5	
9	J42-78199-00-00	FLAP, rear 2	2	
10	90267-40075-00	RIVET, BLIND	4	
11	90201-05034-00	WASHER, PLATE	4	
12	J46-78191-00-00	PANEL, RR FENDER 1	1	
13	J26-78192-00-00	PANEL, RR FENDER 2	1	
14	90119-06029-00	BOLT, WITH WASHER	8	
15	J42-78221-01-00	SHEET, body mounting 1	1	
16	J42-78222-01-00	SHEET, body mounting 2	1	
17	J42-78231-02-00	MAT, main floor 1 (J42-78231-01-00)	1	
18	J42-78271-01-00	SERVICE LID, PEDAL	1	
19	J42-78232-00-00	MAT, main floor 2	1	
20	J42-78233-00-00	MAT, MAIN FLOOR 3	1	
21	J42-78236-01-00	MAT, pedal floor	1	
22	90267-63047-00	RIVET, BLIND	26	
23	J42-77740-01-00	GROMMET, instrument panel	1	
24	25G-21708-00-00	SIDE COVER LOCK ASS'Y (J42-21708-00)	1	
25	J42-78319-00-00	HOOK, end 2	1	
26	97780-50612-00	SCREW, TAPPING	2	
27	92901-05600-00	WASHER, PLATE	2	

CONTINUED ON NEXT FRAME ►

BODY FITTING

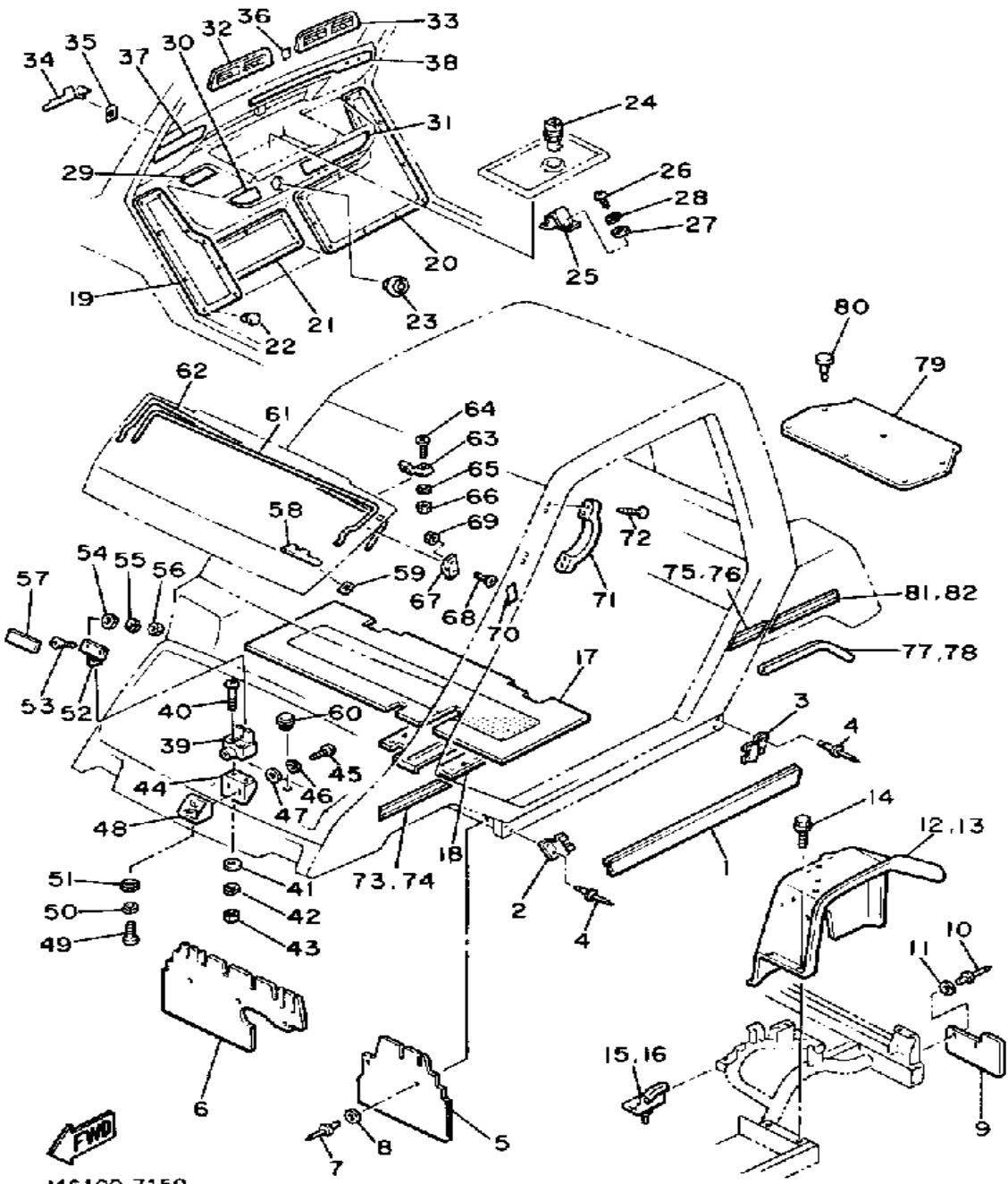


J46100-7150

Ref. No.	Part Number	Description	Qty	Remarks
28	92990-05100-00	WASHER, SPRING	2	
29	J55-77768-10-00	LABEL, WARNING (J38-77768-10)	1	
30	J42-77717-00-00	ORNAMENT, instrument panel 3	1	
31	J42-77718-00-00	ORNAMENT, instrument panel 4	1	
32	J42-2837X-00-00	GRILL, air outlet 3	1	
33	J42-2837Y-00-00	GRILL, air outlet 4	1	
34	J42-78292-00-00	EMBLEM 2	1	
35	90183-03038-00	NUT, spring	2	
36	(J42-77743-00-00)	INDICATOR 3	1	
37	J42-77715-00-00	ORNAMENT instrument panel 1	1	
38	J42-77716-00-00	ORNAMENT, instrument panel 2	1	
39	23T-24705-00-00	SEAT LOCK ASS"Y (J42-24705-00)	1	
40	98580-06040-00	SCREW, pan head (92501-06040-00)	2	
41	92990-06200-00	WASHER, PLAIN	2	
42	92995-06100-00	WASHER, SPRING	2	
43	95380-06600-00	NUT	2	
44	J42-78323-00-00	BRACKET 1	1	
45	98580-06012-00	SCREW, PAN HEAD	2	
46	92995-06100-00	WASHER, SPRING	2	
47	92990-06600-00	WASHER, PLATE	2	
48	J42-78324-00-00	BRACKET 2	1	
49	98580-06030-00	SCREW PAN HEAD	3	
50	92995-06100-00	WASHER, SPRING	3	
51	92990-06200-00	WASHER, PLAIN	3	
52	J42-78318-00-00	HOOK, end 1	1	

CONTINUED ON NEXT FRAME ►

BODY FITTING

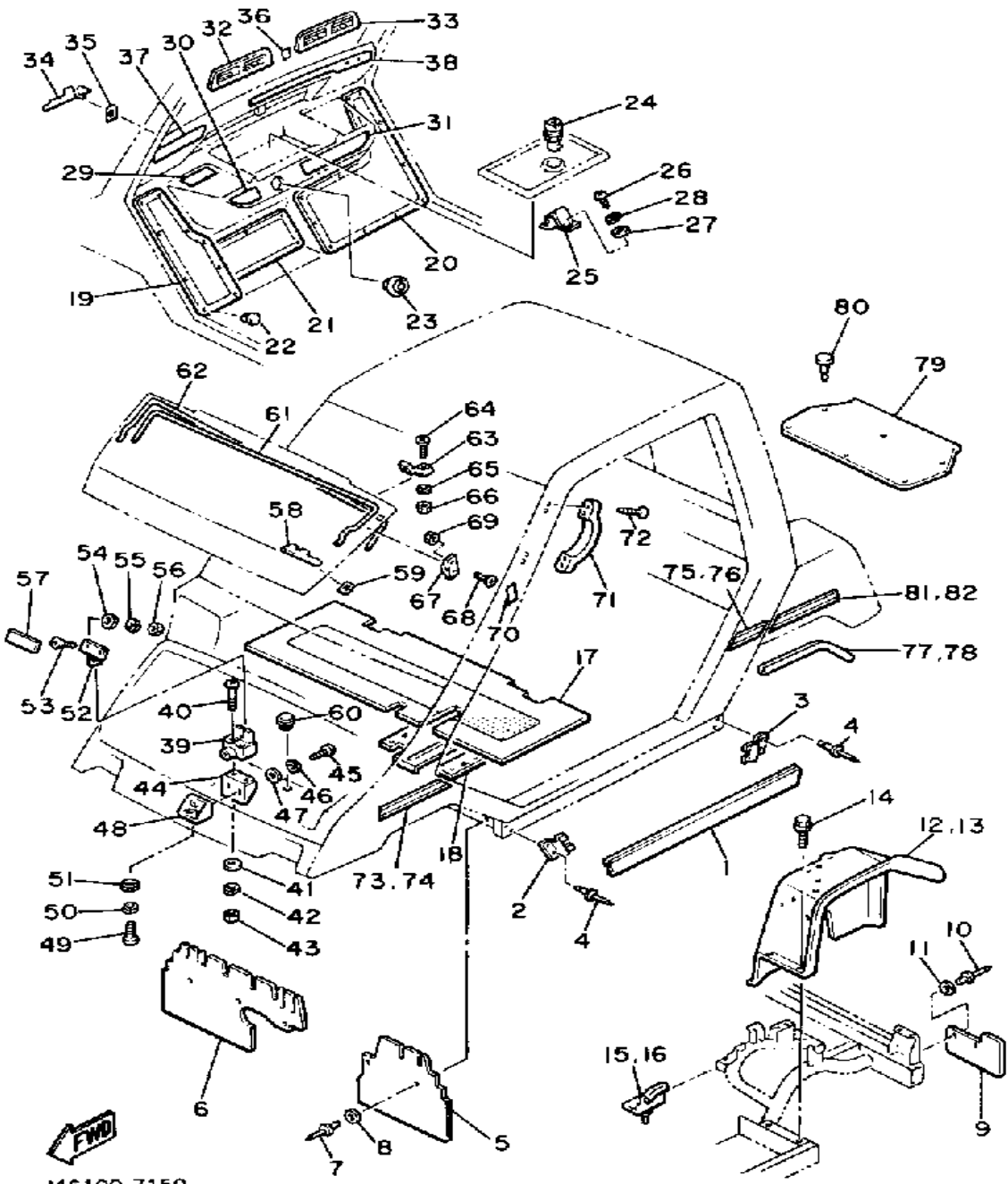


Ref. No.	Part Number	Description	Qty	Remarks
53	98701-05016-00	SCREW, FLAT HEAD	2	
54	92990-05200-00	WASHER, PLAIN	2	
55	92990-05100-00	WASHER, SPRING	2	
56	95380-05600-00	NUT	2	
57	25G-21578-00-00	EMBLEM	1	
58	J42-78292-00-00	EMBLEM 2	1	
59	90183-03038-00	NUT, spring	2	
60	90338-24112-00	PLUG, SPEC'L SHAPE	1	
61	J42-78278-00-00	SPRING, front lid 1	1	
62	J42-78279-00-00	SPRING, front lid 2	1	
63	J42-7827A-00-00	GUIDE 1	2	
64	98501-03016-00	SCREW, PAN HEAD	4	
65	92990-03200-00	WASHER, PLAIN	4	
66	95380-03600-00	NUT	4	
67	J42-7827E-00-00	GUIDE 2	2	
68	98501-03016-00	SCREW, PAN HEAD	4	
69	95380-03600-00	NUT	4	
70	J42-7824H-00-00	TAPE 1	2	
71	J42-78214-00-00	GRIP, hand	2	
72	97706-50640-00	SCREW, tapping (97706-50140-00)	8	
73	J42-77281-00-00	STRIPE (L.H)	1	
74	J42-77282-00-00	STRIPE (R.H)	1	
75	J42-77283-00-00	STRIPE (L.H)	1	
76	J42-77284-00-00	STRIPE (R.H)	1	
77	J42-7824E-00-00	TRIM, rear body (L.H)	1	
78	J42-7824F-00-00	TRIM, rear body (R.H)	1	
79	J42-78241-00-00	MAT, rear floor	1	
80	90269-06028-00	RIVET	6	

J46100-7150

CONTINUED ON NEXT FRAME ►

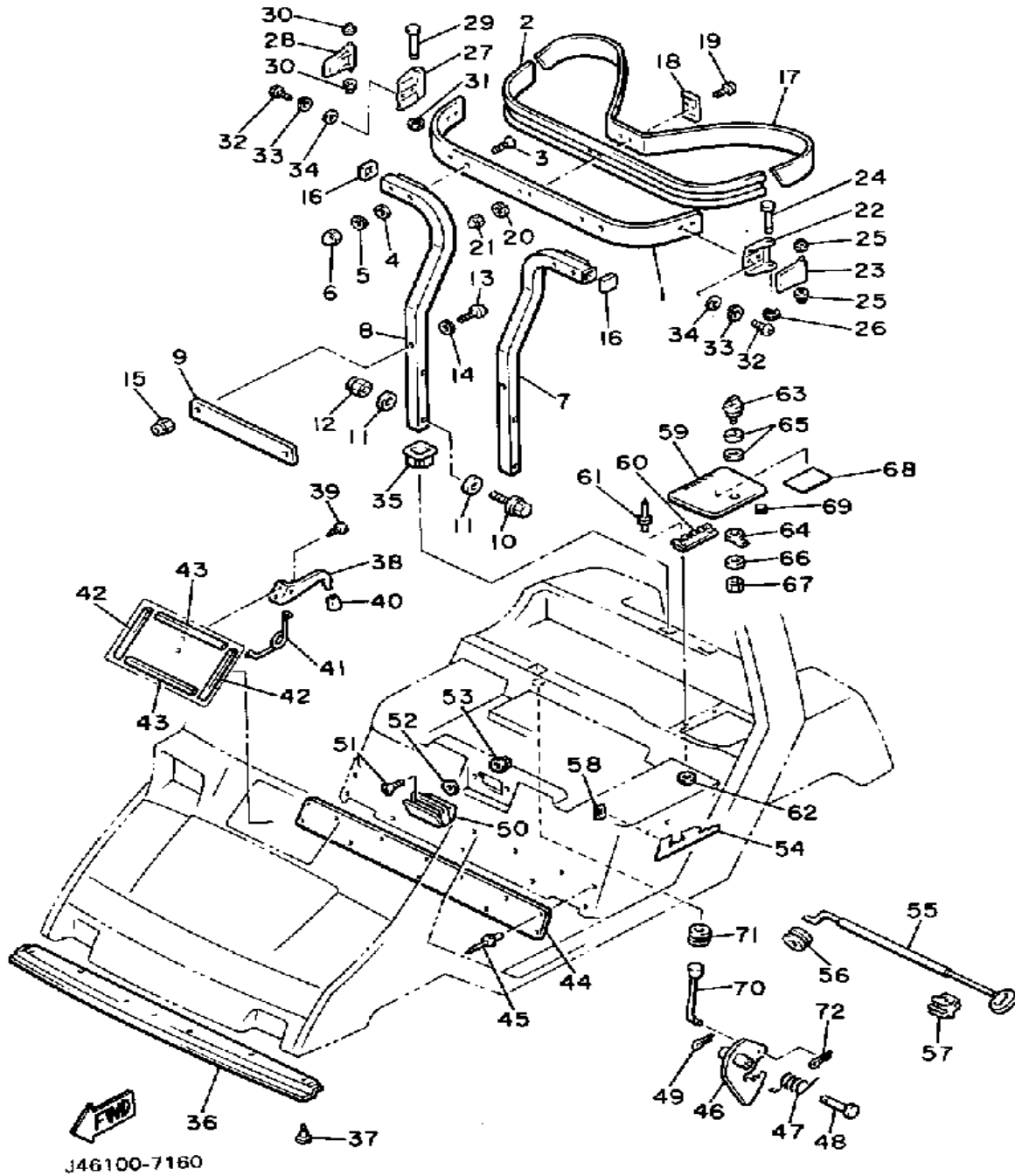
BODY FITTING



Ref. No.	Part Number	Description	Qty	Remarks
81	J42-77285-00-00	STRIPE (L.H)	1	
82	J42-77286-00-00	STRIPE (R.H)	1	

J46100-7150

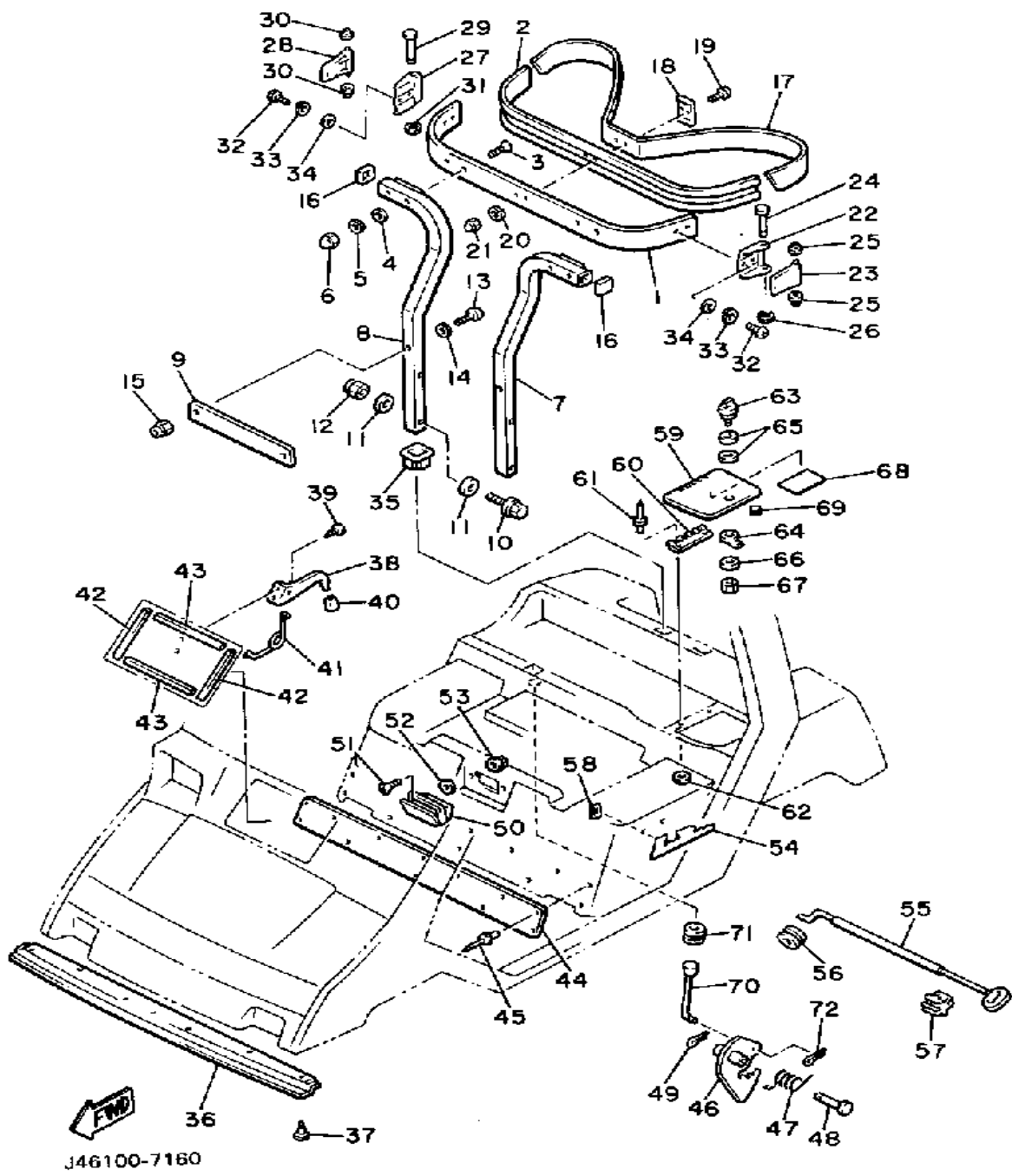
CARRIER



Ref. No.	Part Number	Description	Qty	Remarks
1	J42-78351-00-00	SUPPORT, BAG UPPER (J10-78351-00-9E)	1	
2	J10-78356-00-00	PAD, BAG SUPPORT	1	
3	98701-08045-00	SCREW, FLAT HEAD (92701-08045)	4	
4	90202-08022-00	WASHER, PLATE	4	
5	92990-08100-00	WASHER, SPRING	4	
6	95380-08800-00	NUT, CROWN	4	
7	J42-78352-00-00	SUPPORT, bag lower 1	1	
8	J42-78353-00-00	SUPPORT, bag lower 2	1	
9	J42-78367-00-00	PLATE, anchor	1	
10	95811-08050-00	BOLT, FLANGE (95812-08050)	4	
11	90201-084K3-00	WASHER, PLATE	8	
12	95601-08200-00	NUT, U	4	
13	90154-08028-00	SCREW, binding	2	
14	90201-080A9-00	WASHER, plate	2	
15	95601-08200-00	NUT, U	2	
16	J10-78139-00-00	CAP, END	2	
17	J10-78355-00-00	BAND	1	
18	J10-78367-00-00	PLATE, ANCHOR	1	
	J17-78368-01-00	LEVER, LOCK	1	
19	98980-06016-00	SCREW, BINDING	2	
20	92995-06100-00	WASHER, SPRING	2	
21	95380-06800-00	NUT	2	
22	J17-78157-01-00	BASE, LOCK	1	
23	J17-78368-01-00	LEVER, LOCK	1	
24	J17-78369-00-00	PIN, LEVER	1	
25	90386-06108-00	BUSH	2	
26	99080-05600-00	CIRCLIP	1	

CONTINUED ON NEXT FRAME ►

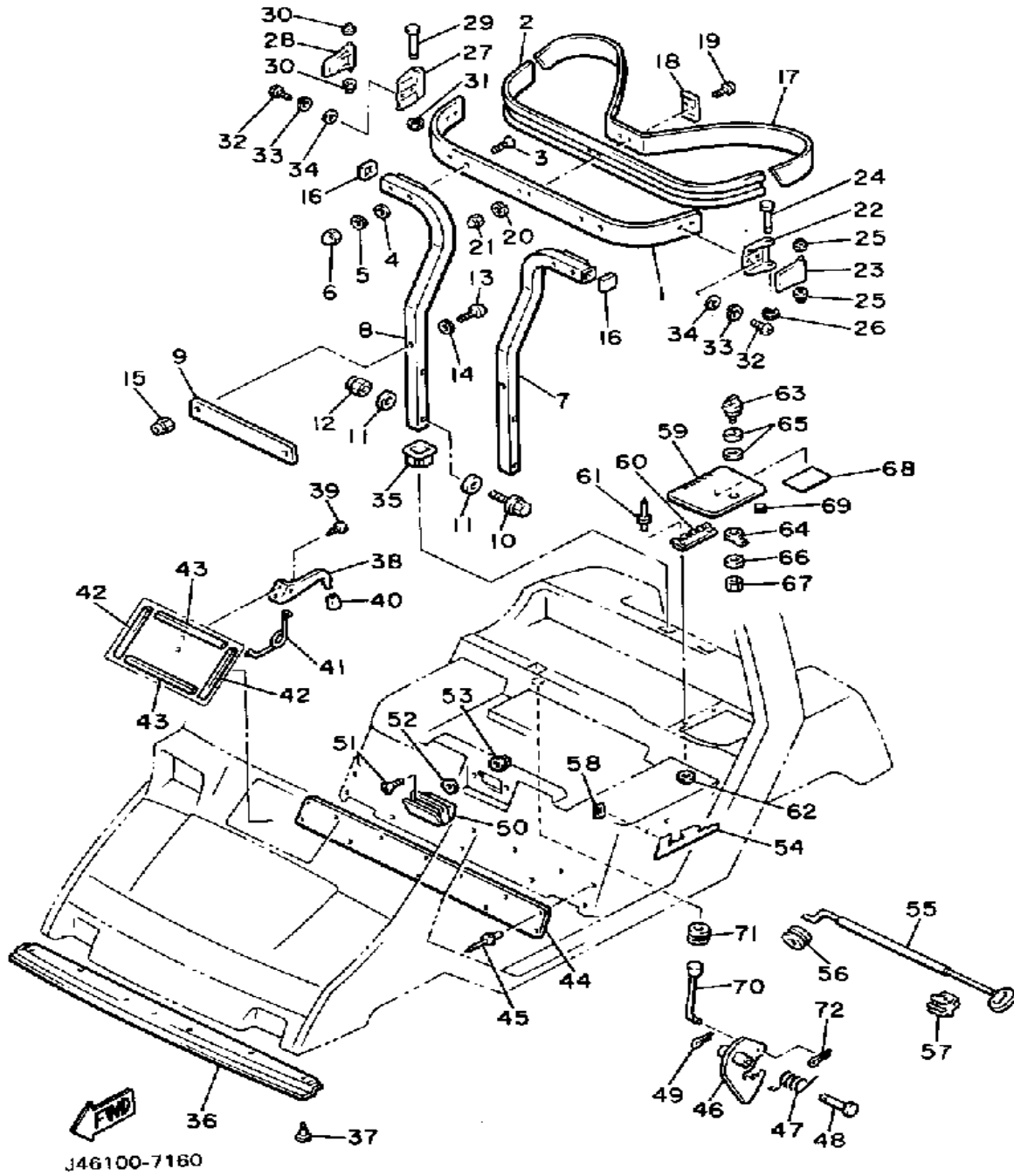
CARRIER



Ref. No.	Part Number	Description	Qty	Remarks
27	J17-78157-01-00	BASE, LOCK	1	
29	J17-78369-00-00	PIN, LEVER	1	
30	90386-06108-00	BUSH	2	
31	99080-05600-00	CIRCLIP	1	
32	98580-06010-00	SCREW, PAN HEAD (92503-06010)	4	
33	92995-06100-00	WASHER, SPRING	4	
34	92990-06200-00	WASHER, PLAIN	4	
35	(90480-36427-00)	GROMMET	2	
36	J42-78216-00-00	COVER, bumper gap	1	
37	90269-06028-00	RIVET	6	
38	(J42-7827F-01-00)	LEVER, VENTILATOR	1	
39	97780-50612-00	SCREW, TAPPING	2	
40	(J42-7827G-00-00)	KNOB, VENTILATOR	1	
41	J42-7827H-00-00	SPRING, ventilator	1	
42	J42-78245-00-00	SEAL 1	2	
43	J42-78246-00-00	SEAL, floor 2	2	
44	J42-78119-00-00	PLATE 3	1	
45	90267-40075-00	RIVET, BLIND	10	
46	(J42-7814H-02-00)	HOOK, BODY LOCK	1	
47	(90508-14698-00)	SPRING, TORSION	1	
48	(91702-08040-00)	PIN, CLEVIS	1	
49	91401-25020-00	PIN, COTTER	1	
50	J42-78287-00-00	ASH TRAY	1	
51	(98780-04025-00)	SCREW, FLAT HEAD	2	
52	92990-04200-00	WASHER, PLAIN	2	
53	95701-04300-00	NUT, flange	2	
54	J42-78291-00-00	EMBLEM 1	2	
55	J42-78375-00-00	SUPPORT 1	1	

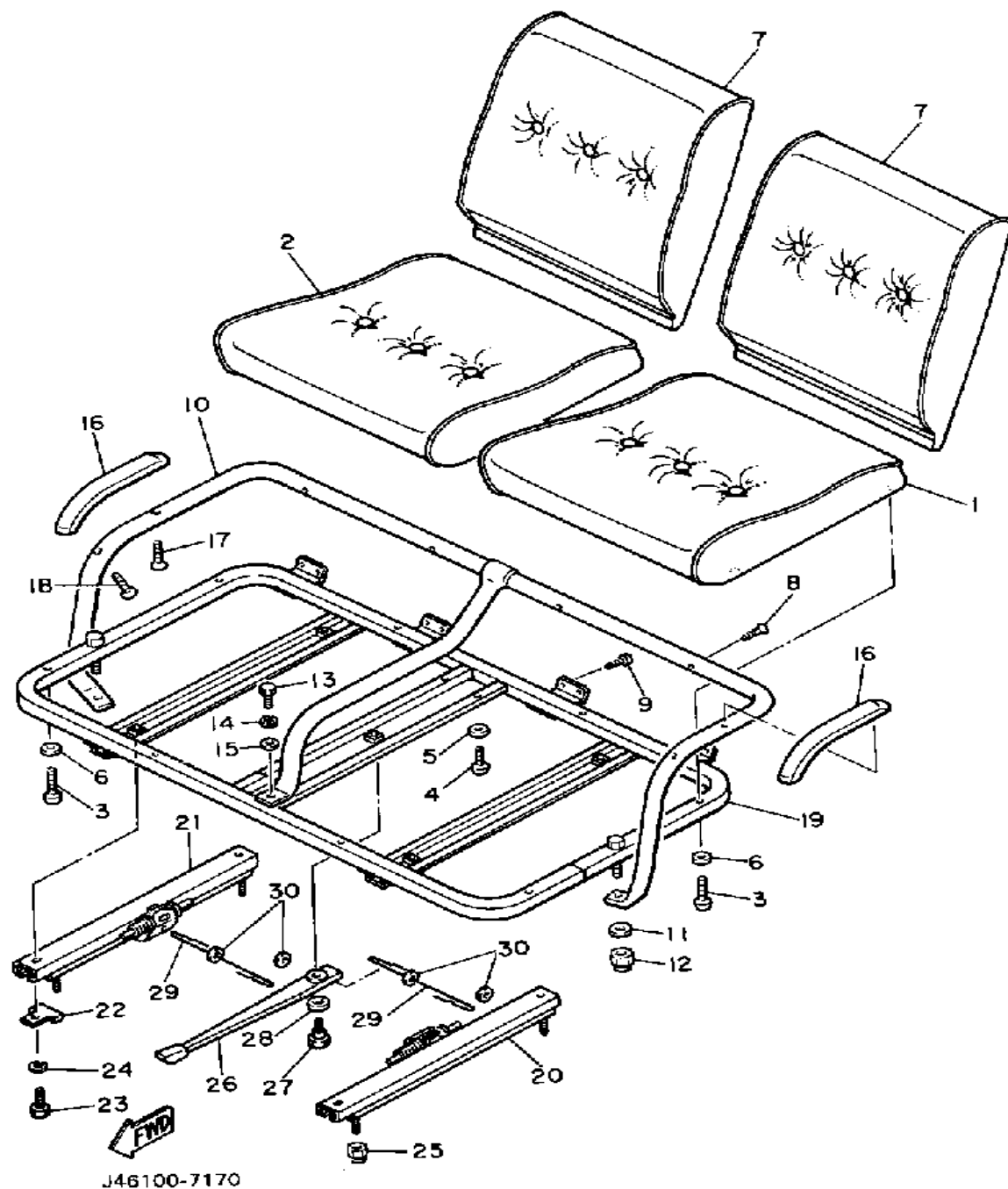
CONTINUED ON NEXT FRAME ►

CARRIER



Ref. No.	Part Number	Description	Qty	Remarks
56	90480-16304-00	GROMMET (90480-16110-00) ..	1	
57	J42-78359-01-00	HOLDER 3 0 1	1	
58	90183-03038-00	NUT, spring	4	
59	J42-78272-00-00	COVER, fuel inlet	1	
60	J17-78275-00-00	HINGE.FUEL INLET	1	
61	90267-40075-00	RIVET, BLIND	2	
62	90201-044H9-00	WASHER, PLAIN	2	
63	8L9-77324-00-00	KNOB	1	
64	8K4-77328-00-00	LEVER, arm fitting	1	
65	90206-15070-00	WASHER, wave	2	
66	90201-05725-00	WASHER, PLATE	1	
67	95706-05300-00	NUT, nylon	1	
68	J51-77764-00-00	LABEL, WARNING 4	1	
69	(J42-7815H-01-00)	DAMPER, LOCK	4	
70	(J42-7814G-02-00)	LEVER, BODY LOCK	1	
71	90480-12067-00	GROMMET	1	
72	91490-16020-00	PIN, COTTER	1	

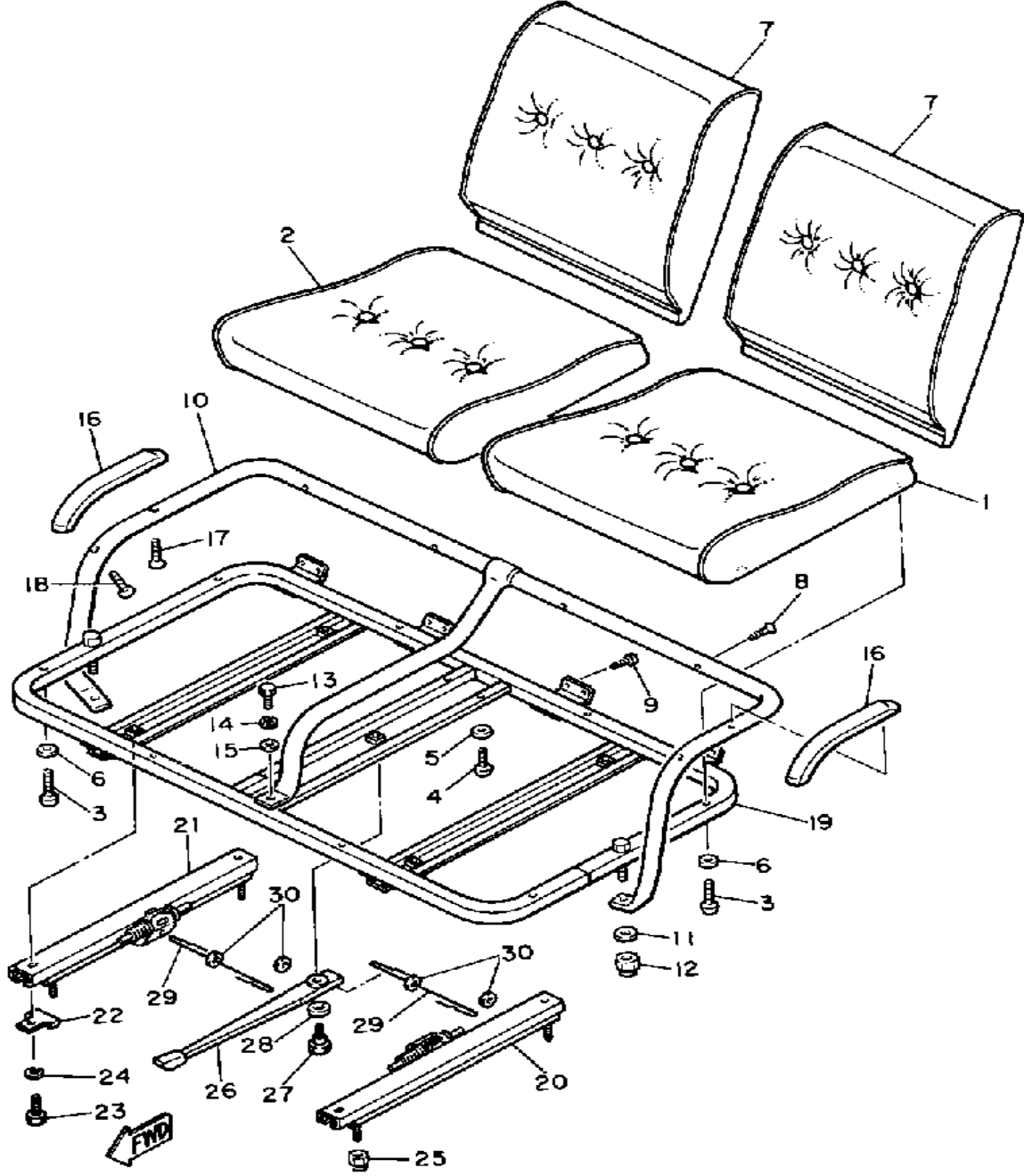
SEAT



Ref. No.	Part Number	Description	Qty	Remarks
1	J50-K8401-00-00	SEAT SB/ASSEMBLY, CSHN ..	1	
2	J50-K8403-00-00	SEAT SB/ASSEMBLY, CSH 2 .	1	
3	98580-06040-00	SCREW, pan head (92501-06040-00)	8	
4	98503-06014-00	SCREW, PAN HEAD (92502-06016)	4	
5	92901-06600-00	WASHER	4	
6	90201-065F3-00	WASHER, PLATE	8	
7	J50-K8402-00-00	SEAT SB/ASSEMBLY, BACK ..	2	
8	90152-06017-00	SCREW, COUNTERSUNK	4	
9	97780-50316-00	SCREW, TAPPING	8	
10	J42-78421-00-00	SUPPORT, seat	1	
11	92990-08600-00	WASHER, PLATE	2	
12	95680-08100-00	NUT, U	2	
13	97011-08016-00	BOLT	1	
14	92990-08100-00	WASHER, SPRING	1	
15	92990-08600-00	WASHER, PLATE	1	
16	J42-78361-00-00	ARM REST 1	2	
17	98680-05030-00	SCREW, OVAL HEAD	2	
18	97780-50330-00	SCREW, TAPPING	2	
19	J42-78451-00-00	FRAME, slide seat	1	
20	J42-78452-00-00	SEAT-ADJUSTER 1	1	
21	J42-78453-00-00	SEAT-ADJUSTER 2	1	
22	J42-78454-00-00	STOPPER, slide seat	2	
23	97011-08016-00	BOLT	4	
24	92990-08100-00	WASHER, SPRING	4	
25	95601-08200-00	NUT, U	4	
26	J42-78455-00-00	LEVER, adjuster	1	
27	J42-78456-00-00	BOLT, adjuster	1	

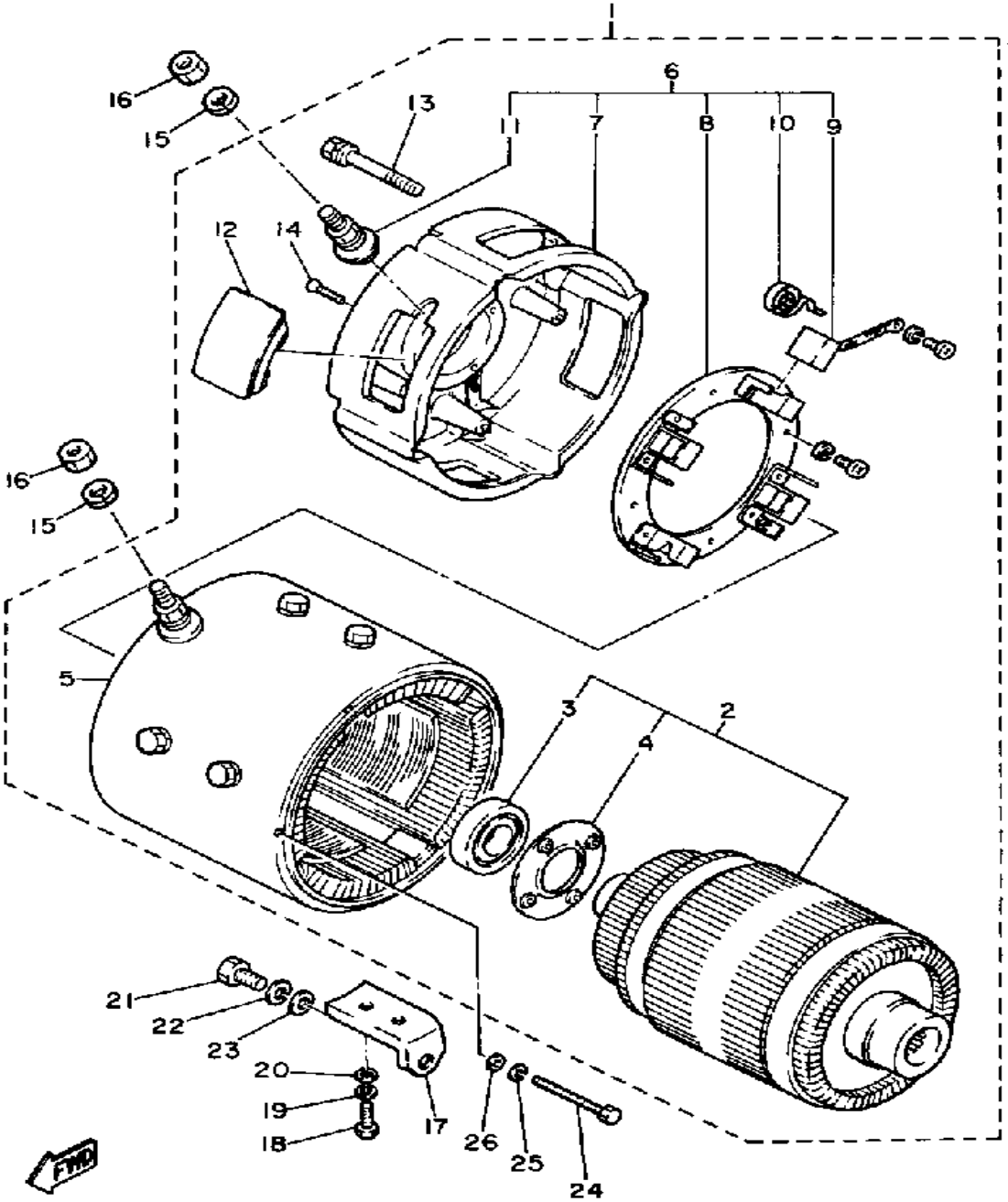
CONTINUED ON NEXT FRAME ►

SEAT



Ref. No.	Part Number	Description	Qty	Remarks
28	92990-10600-00	WASHER, PLATE	1	
29	J42-78457-00-00	WIRE, adjuster	2	
30	92901-04600-00	WASHER, PLATE	4	

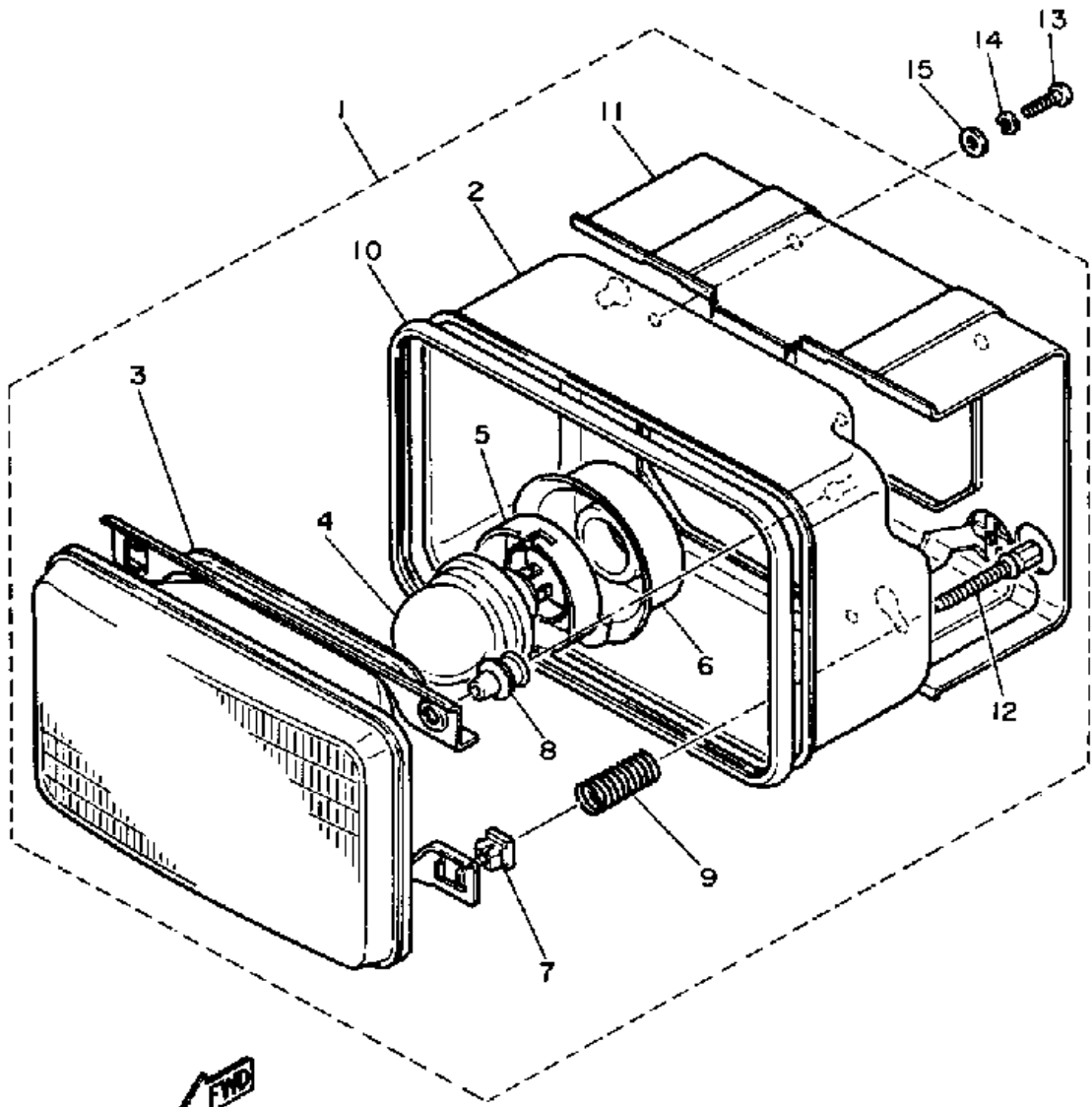
STARTING MOTOR



J46100-7180

Ref. No.	Part Number	Description	Qty	Remarks
1	J46-81890-10-00	TRACTION MOTOR	1	
2	J46-81850-10-00	. ARMATURE ASSEMBLY	1	
3	J14-81857-10-00	.. BEARING	1	
4	J14-81856-10-00	.. RETAINER	1	
5	(J46-81810-10-00)	STATOR ASSEMBLY	1	
6	J46-81820-10-00	. REAR BRACKET ASSEMBLY	1	
7	J46-81822-10-00	.. BRACKET, STRTG MTR -STARTING MOTOR	1	
8	J46-81840-10-00	.. BRUSH HOLDER ASSEMBLY -ASSEMBLY	1	
9	J14-81811-10-00	.. BRUSH 1	4	
10	J46-81813-10-00	.. SPRING, BRUSH	4	
11	J46-81826-10-00	.. BOLT	2	
12	J14-81842-10-00	. COVER	4	
13	J14-81828-10-00	. BOLT 2	4	
14	98701-05025-00	. SCREW, flat head	4	
15	92990-08100-00	WASHER, SPRING	4	
16	95333-08600-00	NUT	4	
17	J14-81823-01-00	STAY, STARTING MTR (J14-81823-00)	1	
18	97011-06016-00	BOLT	2	
19	92995-06100-00	WASHER, SPRING	2	
20	92990-06600-00	WASHER, PLATE	2	
21	97011-08016-00	BOLT	1	
22	92990-08100-00	WASHER, SPRING	1	
23	92990-08600-00	WASHER, PLATE	1	
24	97313-06055-00	BOLT, HEXAGON (97322-06055)	3	
25	92995-06100-00	WASHER, SPRING	3	
26	90201-06643-00	WASHER, PLATE	3	

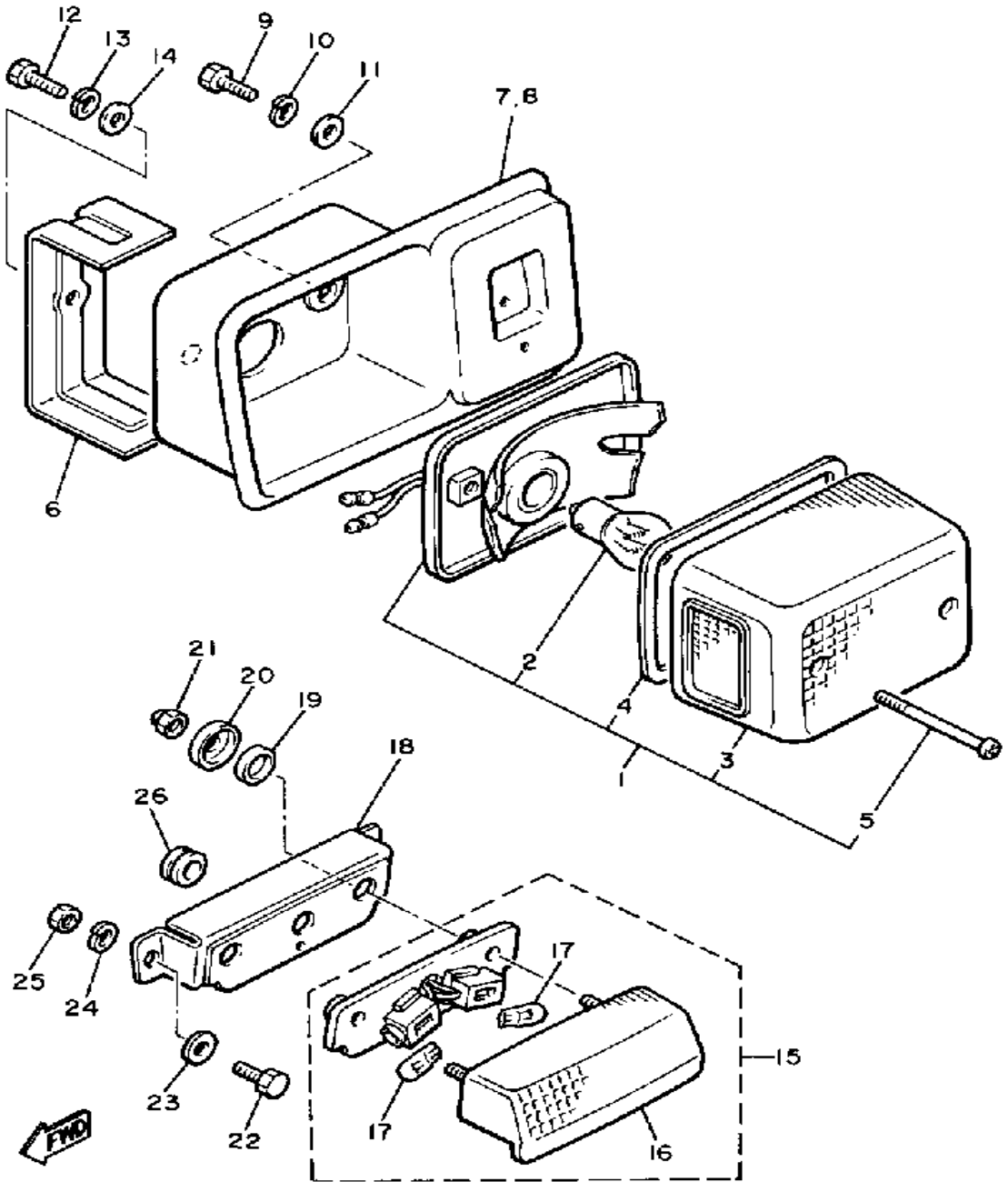
HEADLIGHT



J42110-5380

Ref. No.	Part Number	Description	Qty	Remarks
1	J42-84300-00-00	HEADLIGHT ASS"Y	2	
2	J42-84330-00-00	. BODY ASS"Y	1	
3	J42-84320-00-00	. LENS ASS"Y	1	
4	1U4-84314-40-XX	. BULB, HEAD LIGHT (12V-45/40W)	1	LM
5	341-84393-40-00	. HOLDER, BULB	1	
6	46X-84396-00-00	. COVER	1	
7	51L-84334-00-00	. NUT, ADJUSTING	2	
8	51L-8431U-00-00	. HOLDER	1	
9	51L-84332-00-00	. SPRING, SCREW	2	
10	(J42-84343-00-00)	MOLE HEADLIGHT	1	
11	(J42-84318-00-00)	STAY, HEADLIGHT 1	1	
12	(J42-84331-00-00)	SCREW, RIM ADJUSTING	2	
13	98580-05020-00	SCREW, PAN HEAD	8	
14	92990-05100-00	WASHER, SPRING	8	
15	90201-05029-00	WASHER, PLATE	8	

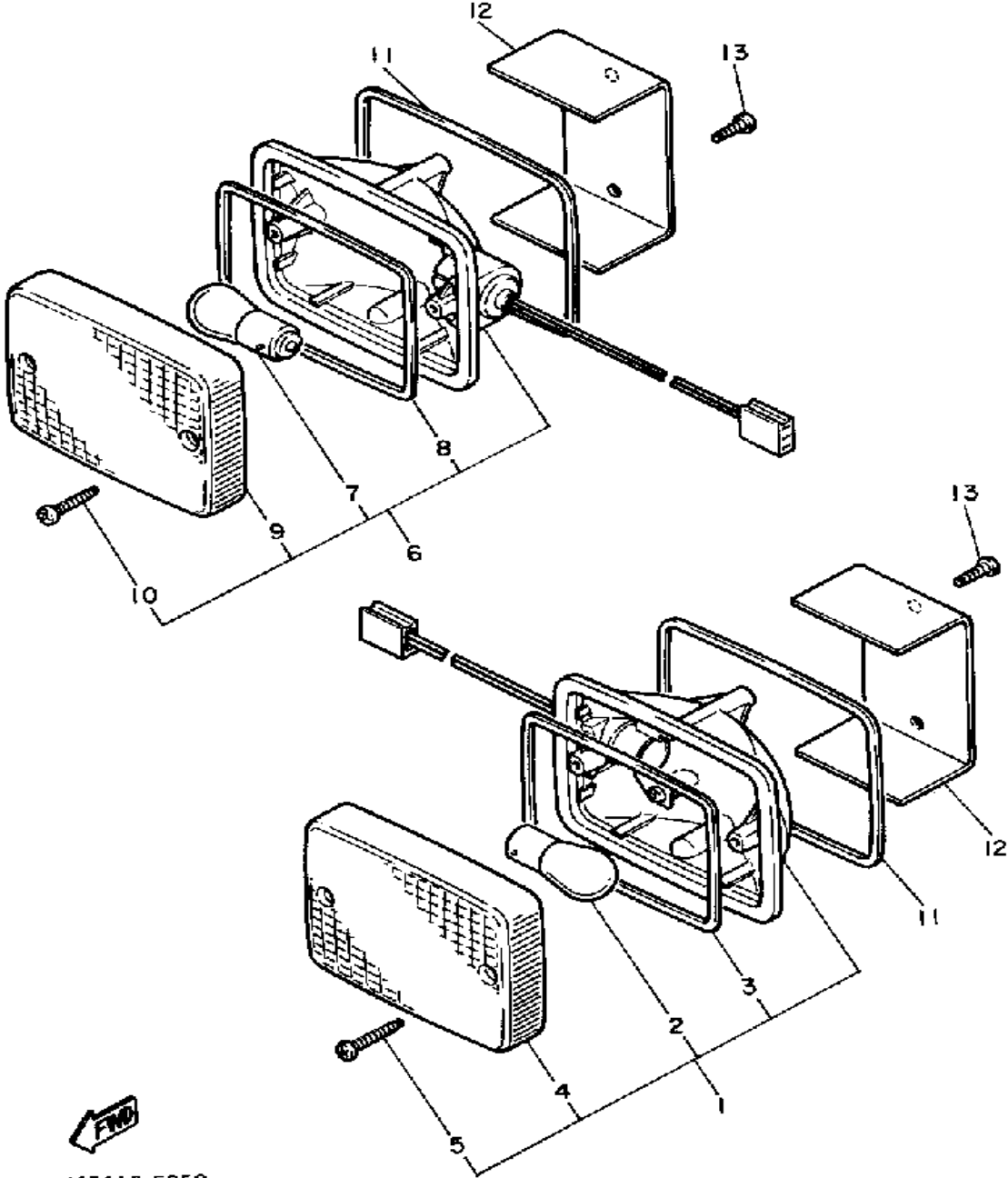
TAILLIGHT



Ref. No.	Part Number	Description	Qty	Remarks
1	13W-84710-00-00	TAILLIGHT UNIT ASS'Y	2	
2	256-84714-61-00	. BULB (12V-27/8W)	1	
3	1M8-84521-40-00	. LENS, TAILLIGHT	1	
4	1M1-84523-60-00	. GASKET, LENS	1	
5	1M1-84524-60-00	. SCREW, LENS FITTING	2	
6	J42-84702-00-00	BRACKET, taillight	2	
7	J42-84716-00-00	COVER, taillight	1	
8	J42-84716-50-00	COVER, taillight	1	
9	97313-06016-00	BOLT, HEXAGON	2	
10	92995-06100-00	WASHER, SPRING	2	
11	92990-06600-00	WASHER, PLATE	2	
12	97011-06025-00	BOLT (97001-06025)	2	
13	92995-06100-00	WASHER, SPRING	2	
14	92990-06600-00	WASHER, PLATE	2	
15	2AX-84745-00-00	LICENSE LIGHT UNIT ASS'Y (4H3-84745-60-00)	1	
16	4H3-84749-00-00	. BODY, license light	1	
17	3F9-84744-00-XX	. BULB, METER 12V3.8W	2	
18	J42-84751-00-00	BRACKET, LICENSE	1	
19	3G1-84553-00-00	DAMPER	2	
20	3F9-84754-00-00	WASHER, SPECIAL	2	
21	95701-05300-00	NUT, NYLON	2	
22	97016-06016-00	BOLT	2	
23	92990-06200-00	WASHER, PLAIN	2	
24	92995-06100-00	WASHER, SPRING	2	
25	95380-06600-00	NUT	2	
26	90480-16422-00	GROMMET	1	

J42110-5370

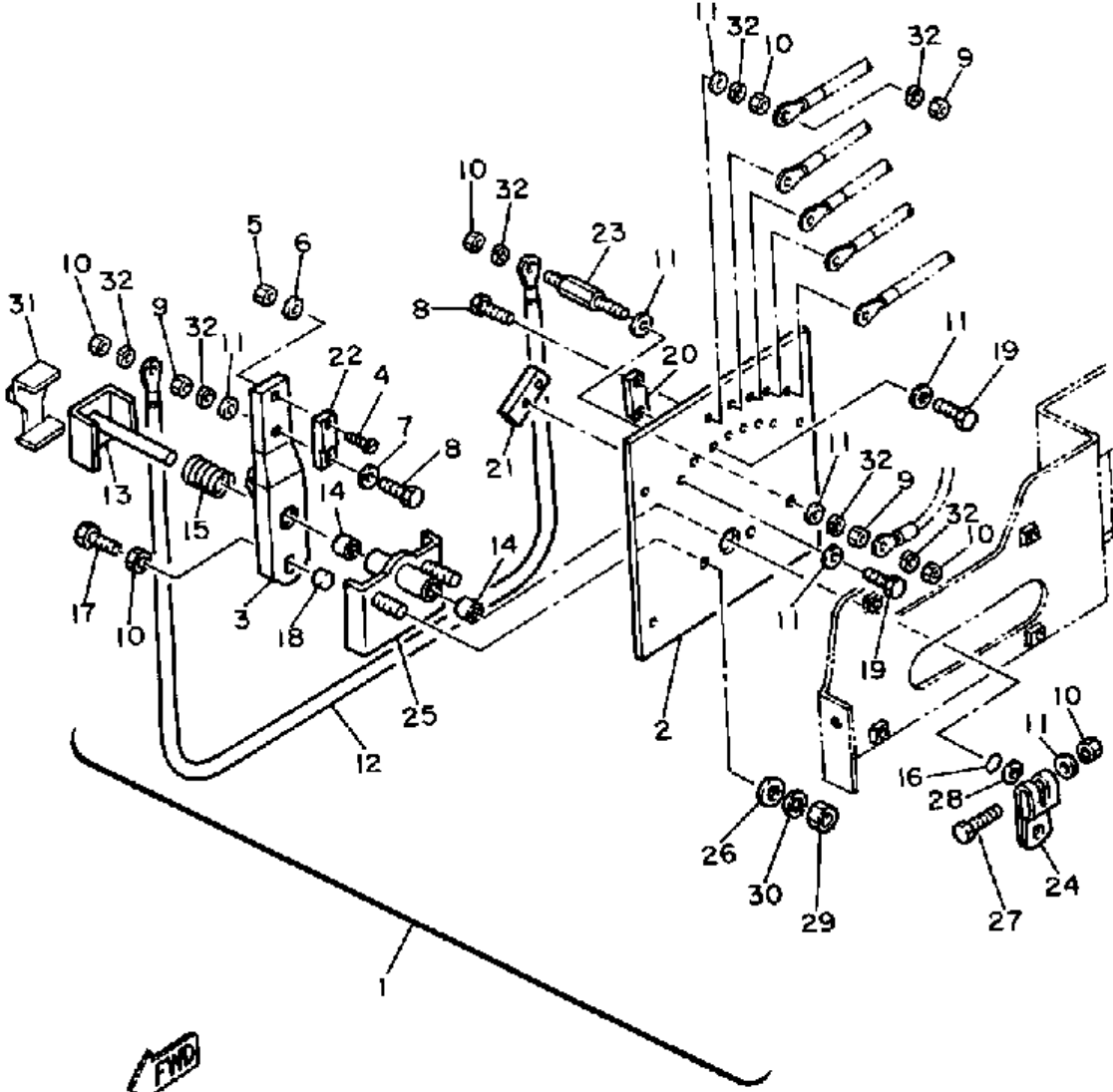
URNSIGNAL



J42110-5350

Ref. No.	Part Number	Description	Qty	Remarks
1	J42-83310-00-00	FRONT FLASHER LIGHT ASS'Y 1	1	
2	256-84714-61-00	. BULB (12V-27/8W)	1	
3	4G0-83313-00-00	. GASKET, FLSHR LENS	1	
4	4G0-83312-00-00	. LENS, FLASHER	1	
5	(97701-40618-00)	SCREW, TAPPING	2	
6	J42-83320-00-00	FRONT FLASHER LIGHT ASS'Y 2	1	
7	256-84714-61-00	. BULB (12V-27/8W)	1	
8	4G0-83313-00-00	. GASKET, FLSHR LENS	1	
9	4G0-83312-00-00	. LENS, FLASHER	1	
10	(97701-40618-00)	SCREW, TAPPING	2	
11	J42-83321-00-00	DAMPER, flasher 1	2	
12	J42-83318-00-00	STAY, flasher 1	2	
13	97780-50514-00	SCREW, tapping (97702-50614-00)	4	

CONTROLLER 1

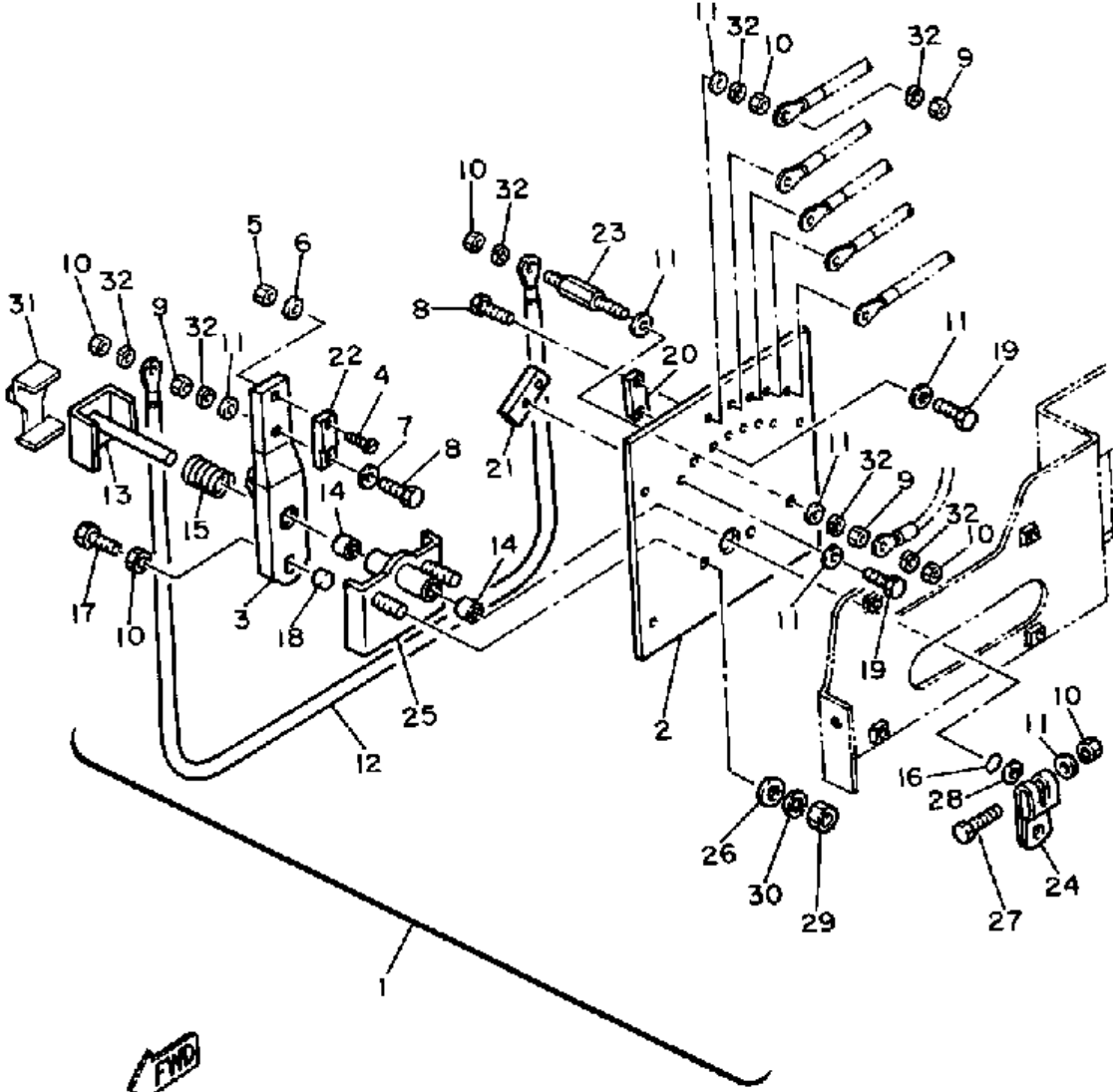



J46100-7220

Ref. No.	Part Number	Description	Qty	Remarks
1	J46-86140-00-00	CONTROLLER ASS'Y (J22-86140-00)	1	
2	J46-86142-00-00	. BASE, PLATE	1	
3	J22-86152-00-00	. ARM, MOVING	1	
4	98701-04016-00	. SCREW, FLAT HEAD (98702-04016)	1	
5	95301-04600-00	. NUT	1	
6	92902-04300-00	. WASHER, IN.TOOTH	1	
7	90201-063F3-00	. WASHER, PLATE	1	
8	90101-06469-00	. BOLT	7	
9	95320-06600-00	. NUT	7	
10	95380-06700-00	. NUT	10	
11	92995-06100-00	. WASHER, SPRING	16	
12	J22-86157-00-00	. WIRE, LEAD	1	
13	J14-86155-01-00	. SHAFT, CONTROLLER	1	
14	90380-10010-00	. BUSH, SOLID	2	
15	90501-16573-00	. SPRING, COMPRESSION	1	
16	93210-10166-00	. O-RING	1	
17	97023-06020-00	. BOLT (3XF)	1	
18	90386-05111-00	. BUSH, SPEC'L NYLON	1	
19	97013-06012-00	. BOLT	7	
20	J14-86162-00-00	. CONTACT, STATE	5	
21	J14-82103-00-00	. TERMINAL 1	1	
22	J14-86153-00-00	. CONTACT, MOVING	1	
23	J22-82104-00-00	. TERMINAL 2	1	
24	J14-86144-01-00	. LEVER, CONTROLLER	1	
25	J14-86156-00-00	. HOLDER, SHAFT	1	
26	92990-06600-00	. WASHER, PLATE	2	
27	97021-06030-00	. BOLT	1	

CONTINUED ON NEXT FRAME ►

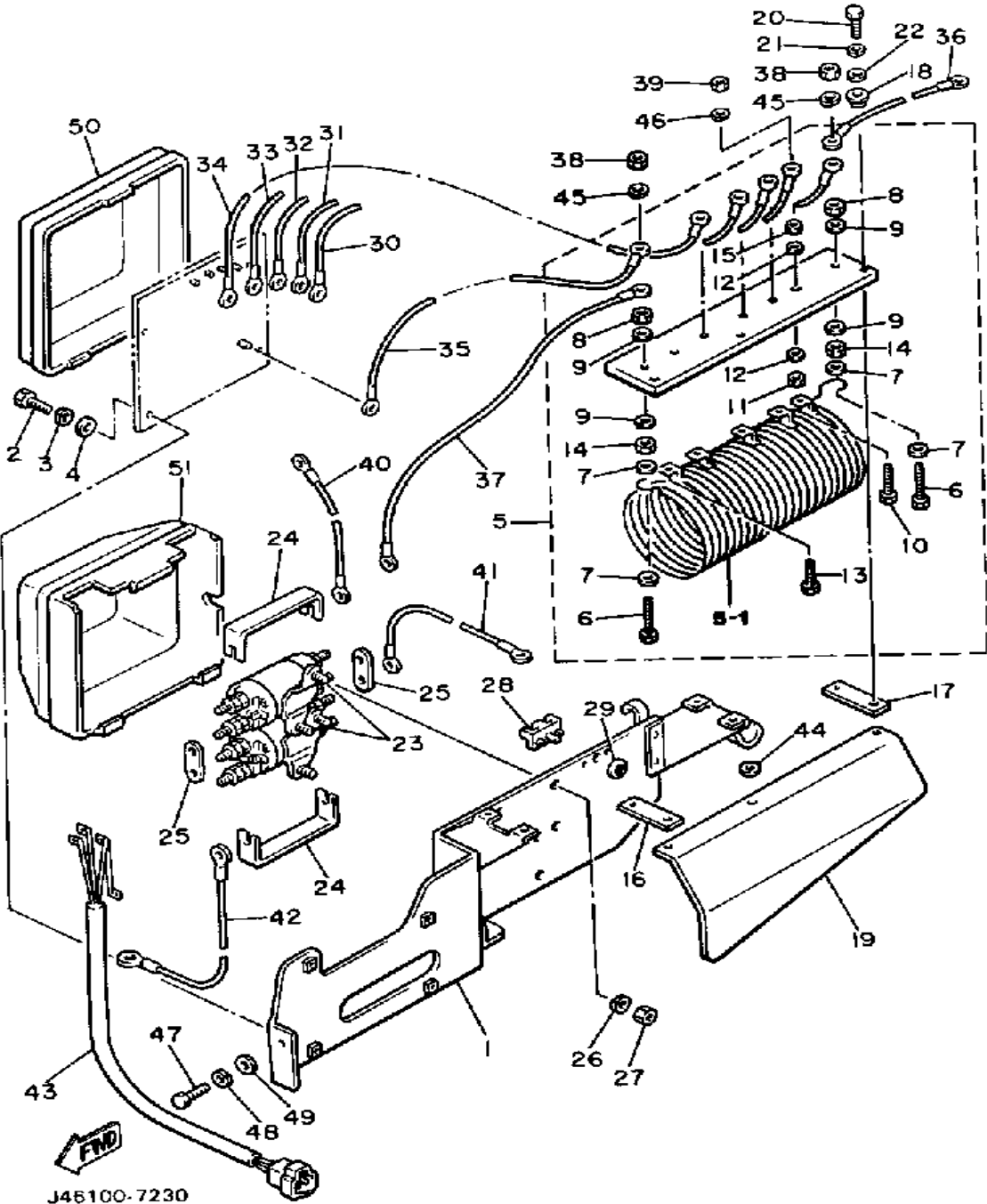
CONTROLLER 1



 J46100-7220

Ref. No.	Part Number	Description	Qty	Remarks
28	92990-10200-00	. WASHER, PLAIN	1	
29	95333-08600-00	. NUT	2	
30	92990-08100-00	. WASHER, SPRING	2	
31	J22-86158-00-00	. SPRING, COMPRESSION	1	
32	92995-06100-00	. WASHER, SPRING	15	

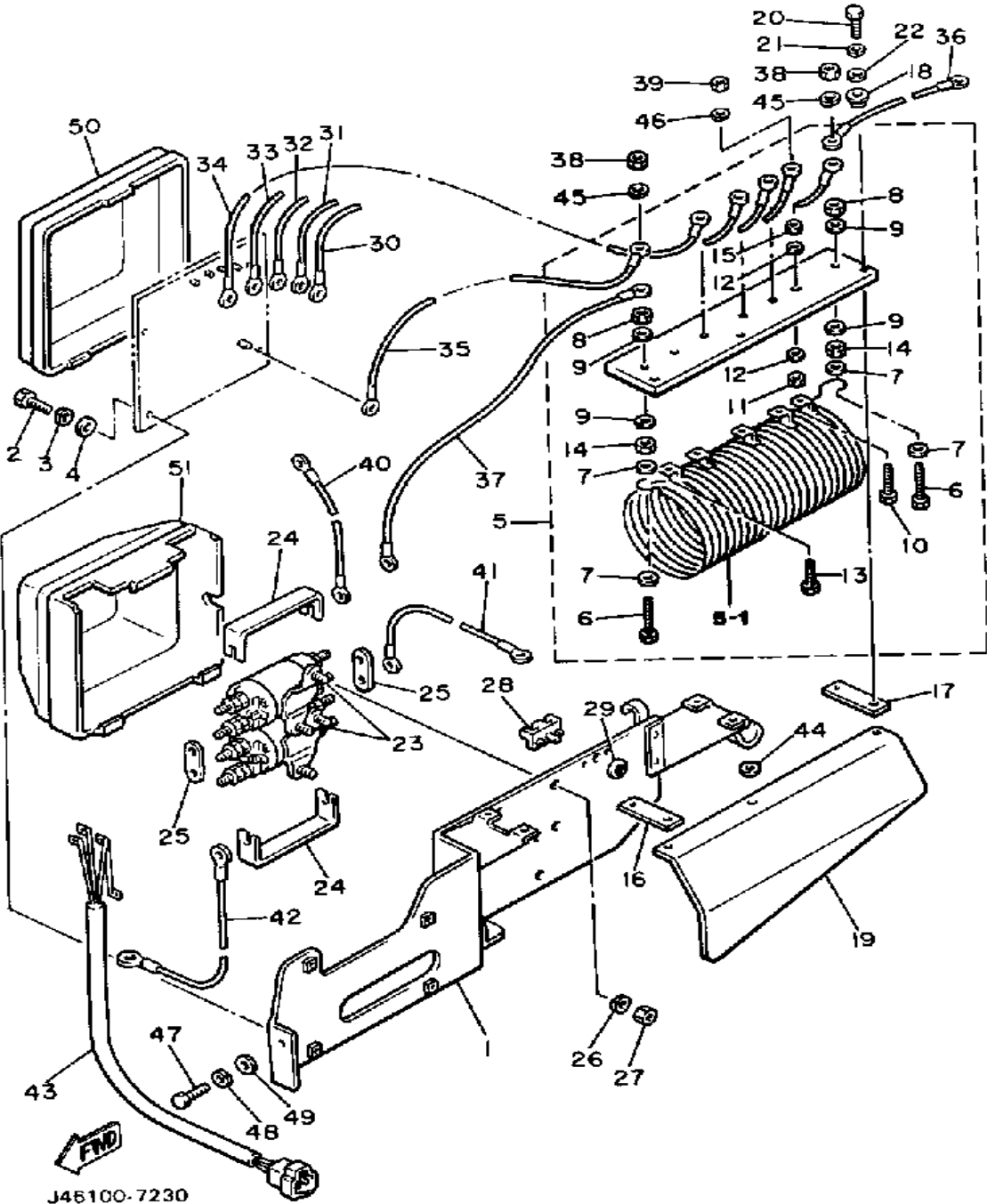
CONTROLLER 2



Ref. No.	Part Number	Description	Qty	Remarks
1	J46-86141-00-00	PLATE, CONTROLLER	1	
2	97011-06025-00	BOLT (97001-06025)	4	
3	92995-06100-00	WASHER, SPRING	4	
4	92990-06600-00	WASHER, PLATE	4	
5	J51-85370-00-00	RESISTOR ASSEMBLY	1	
6	90101-08470-00	. BOLT	2	
7	90201-083F1-00	. WASHER, PLATE	4	
8	95303-08700-00	. NUT	2	
9	92990-08600-00	. WASHER, PLATE	4	
10	90101-06469-00	. BOLT	4	
11	95380-06700-00	. NUT	6	
12	92990-06600-00	. WASHER, PLATE	10	
13	97011-06025-00	. BOLT (97001-06025)	1	
14	95320-08700-00	. NUT	2	
15	95320-06600-00	. NUT	4	
16	J46-8257L-00-00	PLATE, INSULATOR	1	
17	J46-8250X-00-00	PLATE, INSULATOR	1	
18	J46-8253E-00-00	INSULATOR 1	3	
19	J14-85379-00-00	COVER, RESISTOR	1	
20	97011-06025-00	BOLT (97001-06025)	3	
21	92995-06100-00	WASHER, SPRING	3	
22	92990-06600-00	WASHER, PLATE	3	
23	J46-81950-00-00	RELAY ASSEMBLY	2	
24	J46-86126-00-00	PLATE, CONNECTING 1	2	
25	J46-86127-00-00	PLATE, CONNECTING 2	2	
26	92990-08100-00	WASHER, SPRING	4	
27	95303-08700-00	NUT	4	
28	J22-86159-00-00	HOLDER, WIRE	2	
29	J22-86143-00-00	NUT, SPECIAL	2	

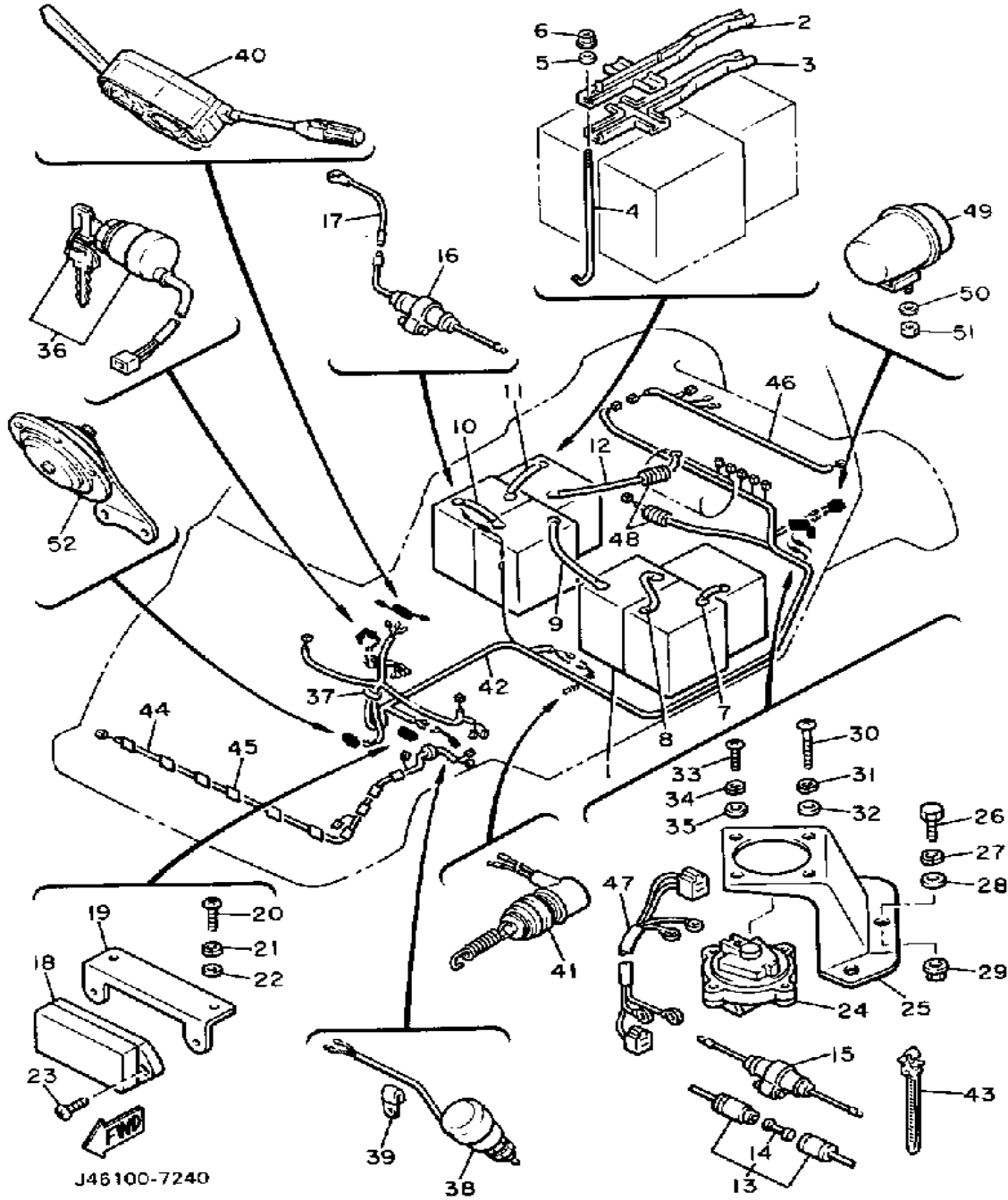
CONTINUED ON NEXT FRAME ➤

CONTROLLER 2



Ref. No.	Part Number	Description	Qty	Remarks
30	J14-86175-00-00	WIRE, LEAD 5	1	
31	J14-86175-00-00	WIRE, LEAD 5	1	
32	J14-86175-00-00	WIRE, LEAD 5	1	
33	J14-86175-00-00	WIRE, LEAD 5	1	
34	J14-86175-00-00	WIRE, LEAD 5	1	
35	J14-86175-00-00	WIRE, LEAD 5	1	
36	J56-H2117-00-00	WIRE, LEAD	1	
37	J14-86175-00-00	WIRE, LEAD 5	1	
38	95303-08700-00	NUT	2	
39	95303-08700-00	NUT	4	
40	J22-82531-00-00	WIRE, LEAD	1	
41	J14-82531-00-00	WIRE, LEAD	1	
42	J14-86175-00-00	WIRE, LEAD 5	1	
43	J46-86177-00-00	WIRE, LEAD 7	1	
44	J46-8253F-00-00	INSULATOR 2	1	
45	92990-08100-00	WASHER, SPRING	2	
46	92995-06100-00	WASHER, SPRING	4	
47	97011-08016-00	BOLT	2	
48	92990-08100-00	WASHER, SPRING	2	
49	92990-08600-00	WASHER, PLATE	2	
50	J56-H6163-00-00	COVER, CONTROLLER	1	
51	J46-81942-00-00	COVER	1	

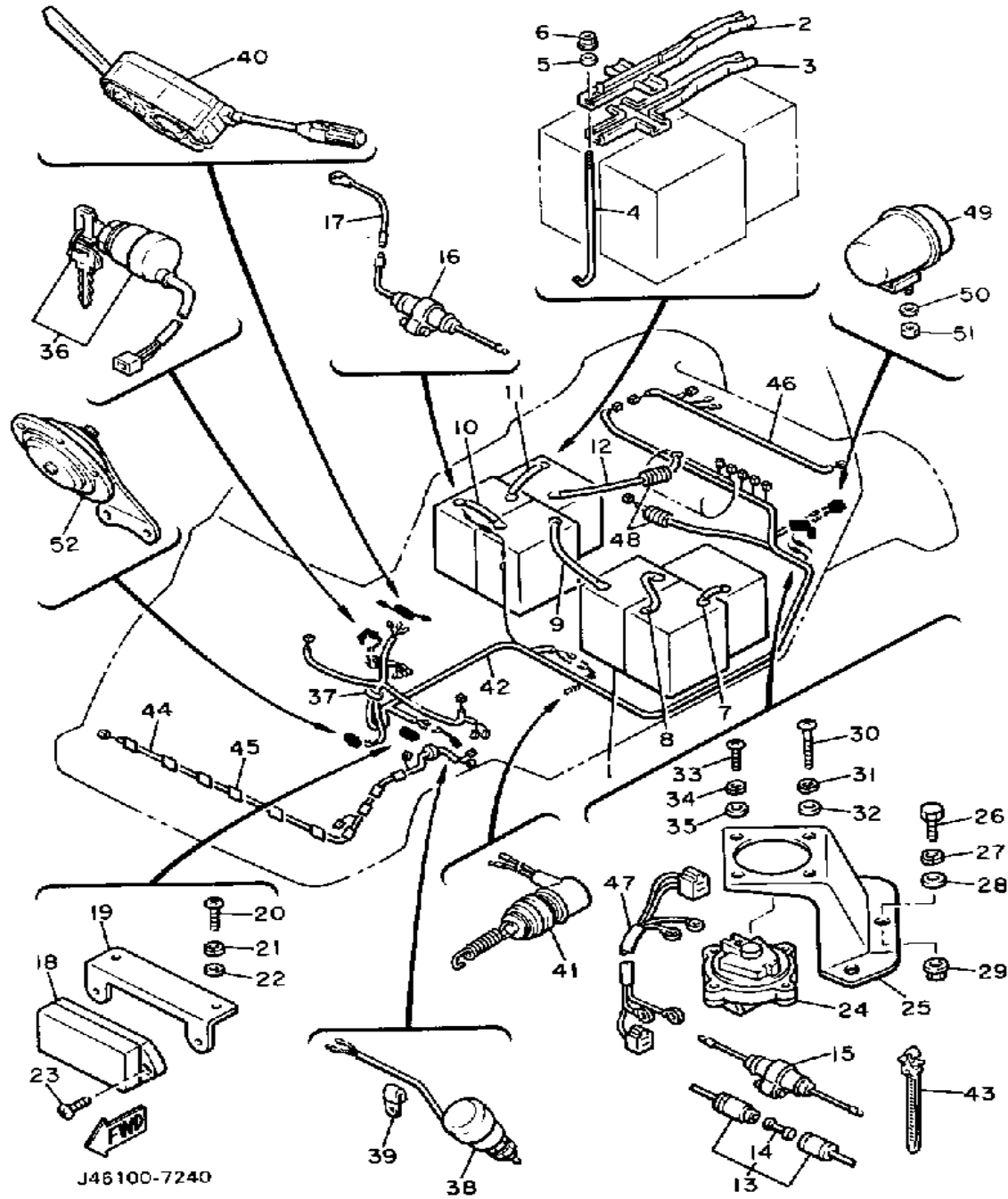
ELECTRICAL 1



Ref. No.	Part Number	Description	Qty	Remarks
1	*---	FRONT WHEEL ASSEMBLY ..	6	SEE NOTE
2	J46-82136-00-00	PLATE, BATT FITTING	2	
3	J41-82121-00-00	PAD, BATTERY	2	
4	J14-82133-01-00	SCREW, FITTING	4	
5	90201-06067-00	WASHER, PLATE	4	
6	95701-06500-00	NUT, FLANGE	4	
7	J56-H2127-00-00	WIRE, LEAD 2	1	
8	J56-H2117-00-00	WIRE, LEAD	1	
9	J56-H2149-00-00	WIRE, LEAD 3	1	
10	J56-H2127-00-00	WIRE, LEAD 2	1	
11	J56-H2117-00-00	WIRE, LEAD	1	
12	J56-H2116-00-00	WIRE, MINUS LEAD (J14-82116-00)	1	
13	1E6-82150-00-00	FUSE HOLDER ASSEMBLY ...	1	
14	1E6-82151-00-00	. FUSE (10A)	2	
15	J42-82150-50-00	FUSE HOLDER ASSEMBLY ...	1	
16	J42-82150-50-00	FUSE HOLDER ASSEMBLY ...	1	
17	J42-82318-00-00	WIRE, SUB-LEAD	1	
18	J42-82170-00-00	FUSE BOX ASS'Y	1	
19	J42-82171-00-00	STAY, fuse box	1	
20	98580-06020-00	SCREW	2	
21	92995-06100-00	WASHER, SPRING	2	
22	92990-06600-00	WASHER, PLATE	2	
23	92503-06016-00	UNAVAILABLE IN PRICE BOOK (92502-06016)	2	
24	JF3-86181-00-00	RECEPTACLE	1	
25	J22-86182-00-00	STAY RECEPTACLE	1	
26	97313-06016-00	BOLT, HEXAGON	3	
27	92995-06100-00	WASHER, SPRING	3	

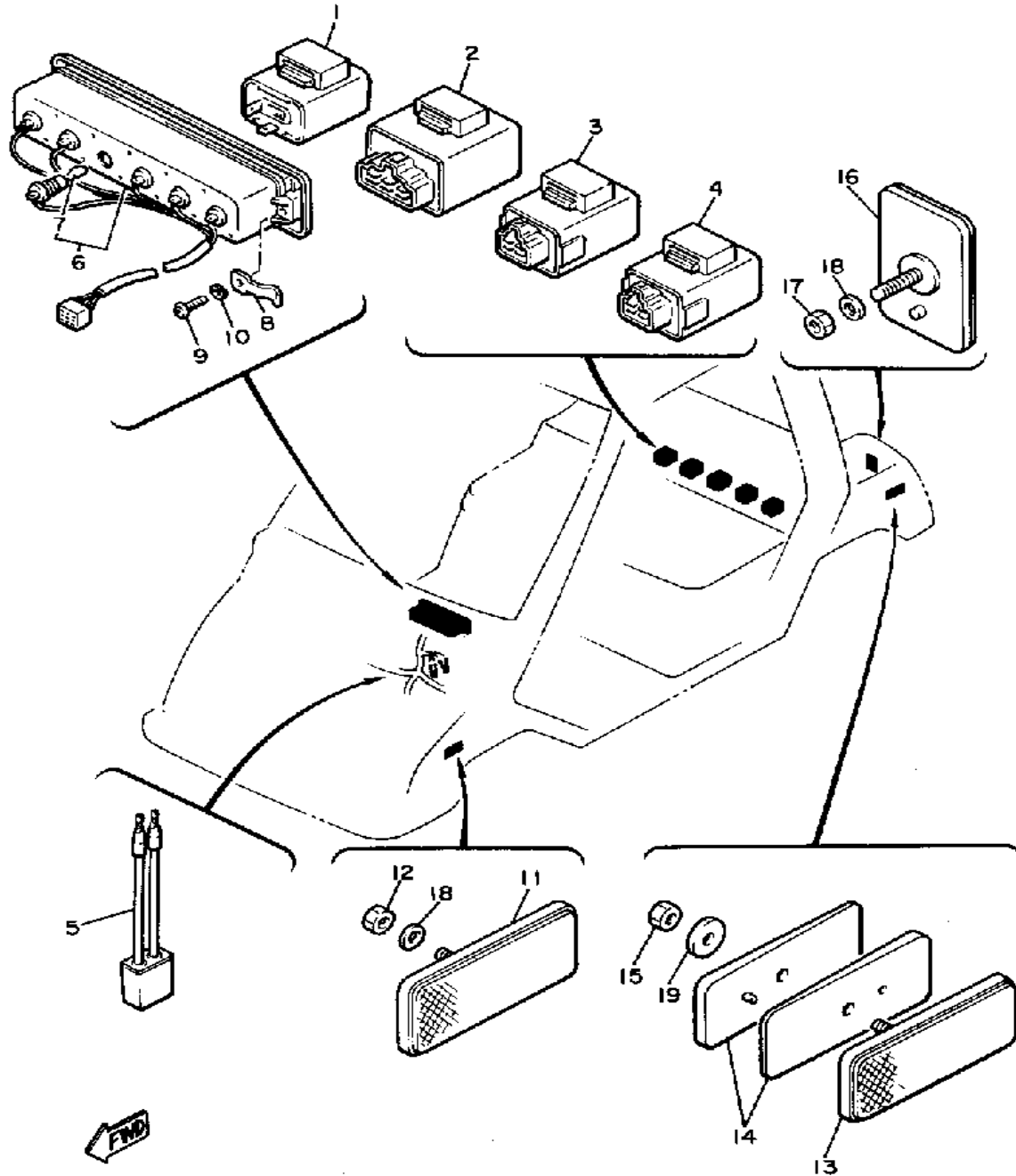
CONTINUED ON NEXT FRAME ►

ELECTRICAL 1



Ref. No.	Part Number	Description	Qty	Remarks
28	92990-06600-00	WASHER, PLATE	3	
29	95702-06600-00	NUT, FLANGE	3	
30	98501-05035-00	SCREW, PAN HEAD	2	
31	92990-05100-00	WASHER, SPRING	2	
32	92901-05600-00	WASHER, PLATE	2	
33	98580-05016-00	SCREW, PAN HEAD	2	
34	92990-05100-00	WASHER, SPRING	2	
35	92901-05600-00	WASHER, PLATE	2	
36	J46-82510-00-00	MAIN SWITCH ASSEMBLY ...	1	
37	25G-83936-01-00	BAND, SWITCH CORD	1	
38	J41-82550-01-00	ENGINE STOP SWITCH ASSEMBLY	1	
39	90465-06038-00	CLAMP	1	
40	J42-83975-00-00	SWITCH, HANDLE 2	1	
41	J13-82530-00-00	STOP SWITCH ASS'Y	1	
42	J46-82590-00-00	WIRE HARNESS ASSEMBLY ..	1	
43	90464-12036-00	CLAMP	3	
44	J42-82580-00-00	WIRE HARNESS ASS'Y 2	1	
45	(J42-7717E-00-00)	TAPE 1	14	
46	J42-84727-00-00	CORD, taillight	1	
47	J46-82105-00-00	WIRE HARNESS	1	
48	J55-H7197-00-00	TUBE 2 (J38-87197-00)	2	
49	J18-83383-00-00	BUZZER	1	
50	90201-063J2-00	WASHER, PLATE	1	
51	95701-06300-00	NUT, NYLON	1	
52	J42-83371-00-00	HORN	1	

ELECTRICAL 2



Ref. No.	Part Number	Description	Qty	Remarks
1	33M-83350-20-00	FLASHER RELAY ASS"Y	1	
2	J42-83350-00-00	FLASHER RELAY ASS"Y	2	
3	J42-85590-01-00	CONTROL UNIT ASSEMBLY	1	
4	J46-82120-00-00	SENDER, BATTERY	1	
5	38W-85774-00-00	CHECKER, pilot lamp	2	
6	J46-83530-00-00	PILOT LIGHT ASSEMBLY	1	
7	4G1-84744-00-00	. BULB, MTR.12V3.4W	6	
8	J50-83514-00-00	PLATE, FITTING	2	
9	98580-04010-00	SCREW, PAN HEAD	2	
10	92901-04100-00	WASHER, SPRING	2	
11	11H-85110-01-00	REFLECTOR ASSEMBLY	2	
12	95701-05300-00	NUT, NYLON	2	
13	J42-85140-00-00	REAR REFLECTOR ASS"Y	2	
14	J42-85115-00-00	BASE, reflector	4	
15	95701-05300-00	NUT, NYLON	2	
16	J42-85130-00-00	REAR REFLECTOR ASS"Y	2	
17	95701-05300-00	NUT, NYLON	2	
18	92990-05200-00	WASHER, PLAIN	4	
19	90201-052E8-00	WASHER, plate	2	

J46100-7250