



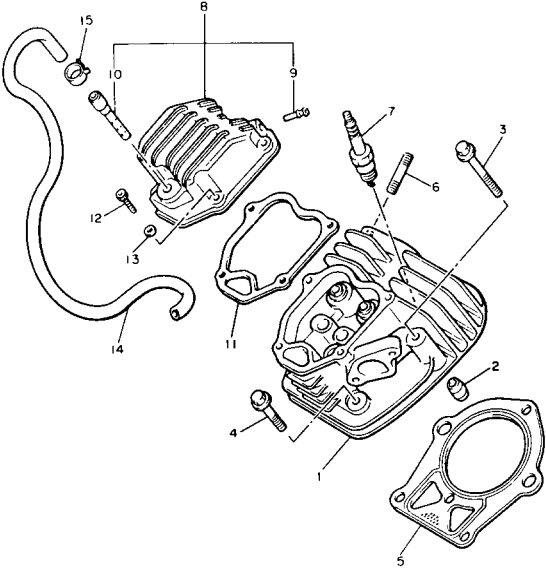
**YAMAHA**

**GENUINE**

**PARTS CATALOGUE**

**GOLF CAR**

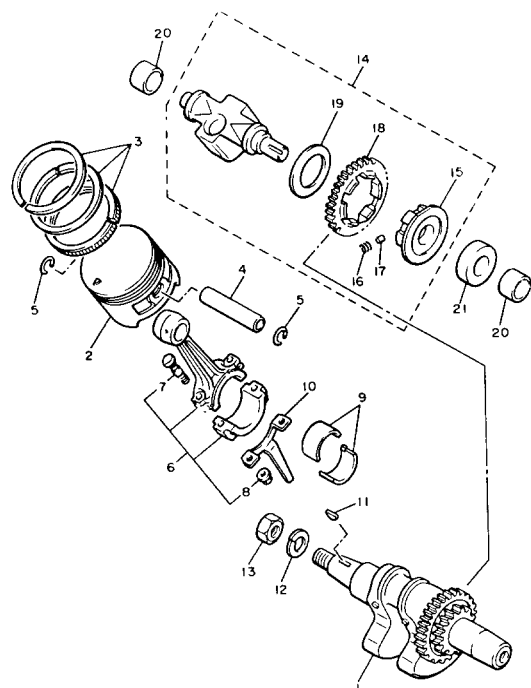
# CYLINDER



  
J38110-5010

Ref. No.	Part Number	Description	Qty	Remarks
1	J38-11102-00-00	CYLINDER HEAD ASSEMBLY	1	
2	99510-12016-00	PIN, DOWEL	2	
3	95811-08070-00	BOLT, FLANGE	3	
4	95811-08045-00	BOLT, FLANGE (JN5)	3	
5	J38-11181-00-00	GASKET, CYLINDER HEAD 1	1	
6	95612-08618-00	BOLT, STUD	2	
7	NGK-B5ES0-00-00	PLUG, SPARK (NGK B5ES)	1	
8	J38-11191-00-00	COVER, CYLINDER HEAD 1	1	
9	J38-11116-00-00	. JOINT, BREATHER	2	
10	J38-24461-00-00	. PIPE, JOINT	1	
11	J38-11193-00-00	GASKET, head cover 1	1	
12	91316-06025-00	BOLT	4	
13	92990-06600-00	WASHER, PLATE	4	
14	90445-130F8-00	HOSE	1	
15	90467-12052-00	CLIP	2	

# CRANKSHAFT - PISTON

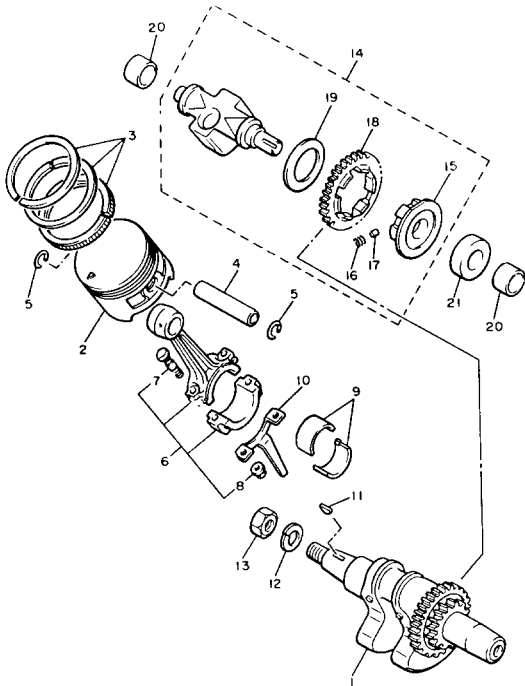


J38100-7020

Ref. No.	Part Number	Description	Qty	Remarks
1	J38-11400-00-00	CRANKSHAFT ASSEMBLY . . .	1	
2	7A9-11633-00-00	. PIN, PISTON . . . . .	1	
	93450-19047-00	. CIRCLIP . . . . .	2	
	99999-01891-00	PISTON (STD) (J38-11631-00-A0) . . . . .	1	
	99999-01892-00	PISTON (0.25MM O/S) (J38-11635-00) . . . . .	1	Alt. Part
	99999-01893-00	PISTON (0.50MM O/S) (J38-11636-00) . . . . .	1	Alt. Part
	J38-11631-01-A0	. PISTON (STD) . . . . .	1	
	J38-11635-01-00	. PISTON (0.25MM O/S) . . . . .	1	
	J38-11636-01-00	. PISTON (0.50MM O/S) . . . . .	1	
3	J38-11610-00-00	PISTON RING SET (STD) . . . . .	1	
	J38-11610-10-00	PISTON RING SET (0.25MM O/S) . . . . .	1	Alt. Part
	J38-11610-20-00	PISTON RING SET (0.50MM O/S) . . . . .	1	Alt. Part
4	2F1-11633-00-00	PIN, piston . . . . .	1	
5	93450-19052-00	CIRCLIP . . . . .	2	
6	J38-11650-00-00	CONNECTING ROD ASSEMBLY	1	
7	J38-11654-00-00	. BOLT, CONNECTING ROD . .	2	
8	90179-08327-00	. NUT . . . . .	2	
9	J38-11656-00-00	BEARING, CON-ROD . . . . .	2	U.R. Brown
	J38-11656-10-00	BEARING, CON-ROD . . . . .	2	U.R. Black
	J38-11656-20-00	BEARING, CON-ROD . . . . .	2	U.R. Blue
10	J38-11657-00-00	SPLASHER, OIL . . . . .	1	
11	90280-16053-00	KEY, WOODRUFF . . . . .	1	
12	92901-16100-00	WASHER, SPRING . . . . .	1	
13	90170-16182-00	NUT . . . . .	1	
14	J38-11500-00-00	BALANCER ASSEMBLY . . . . .	1	

CONTINUED ON NEXT FRAME ►

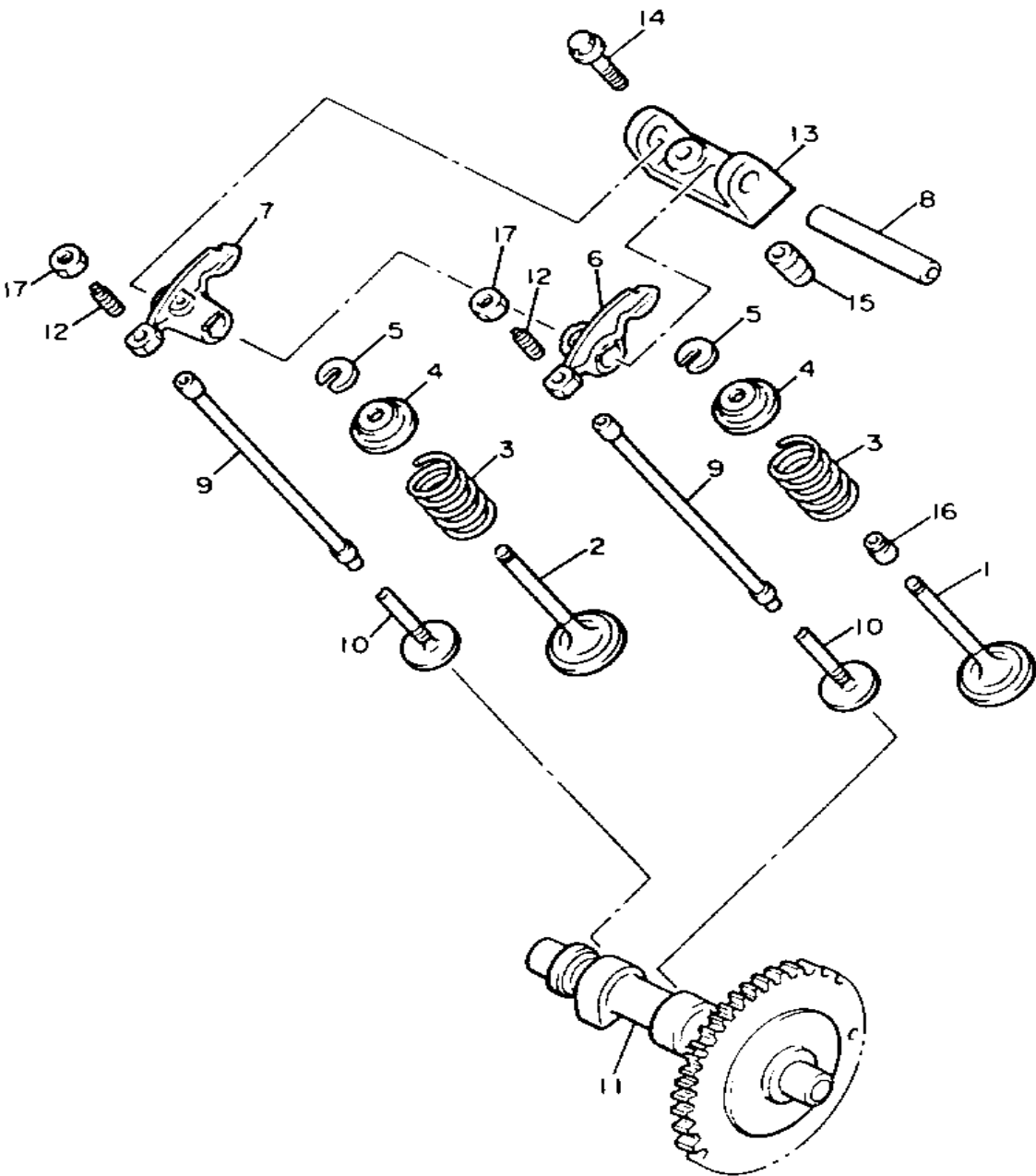
# CRANKSHAFT - PISTON



J38100-7020

Ref. No.	Part Number	Description	Qty	Remarks
15	J38-11496-00-00	. BOSS, BUFFER .....	1	
16	90501-21133-00	. SPRING, COMPRESSION ....	6	
17	93605-10090-00	. PIN, DOWEL .....	3	
18	J38-11531-00-00	. GEAR, BALANCE WT .....	1	
19	90201-201G9-00	. WASHER, PLATE .....	1	
20	90387-155R3-00	COLLAR .....	2	
21	90387-152M7-00	COLLAR .....	1	

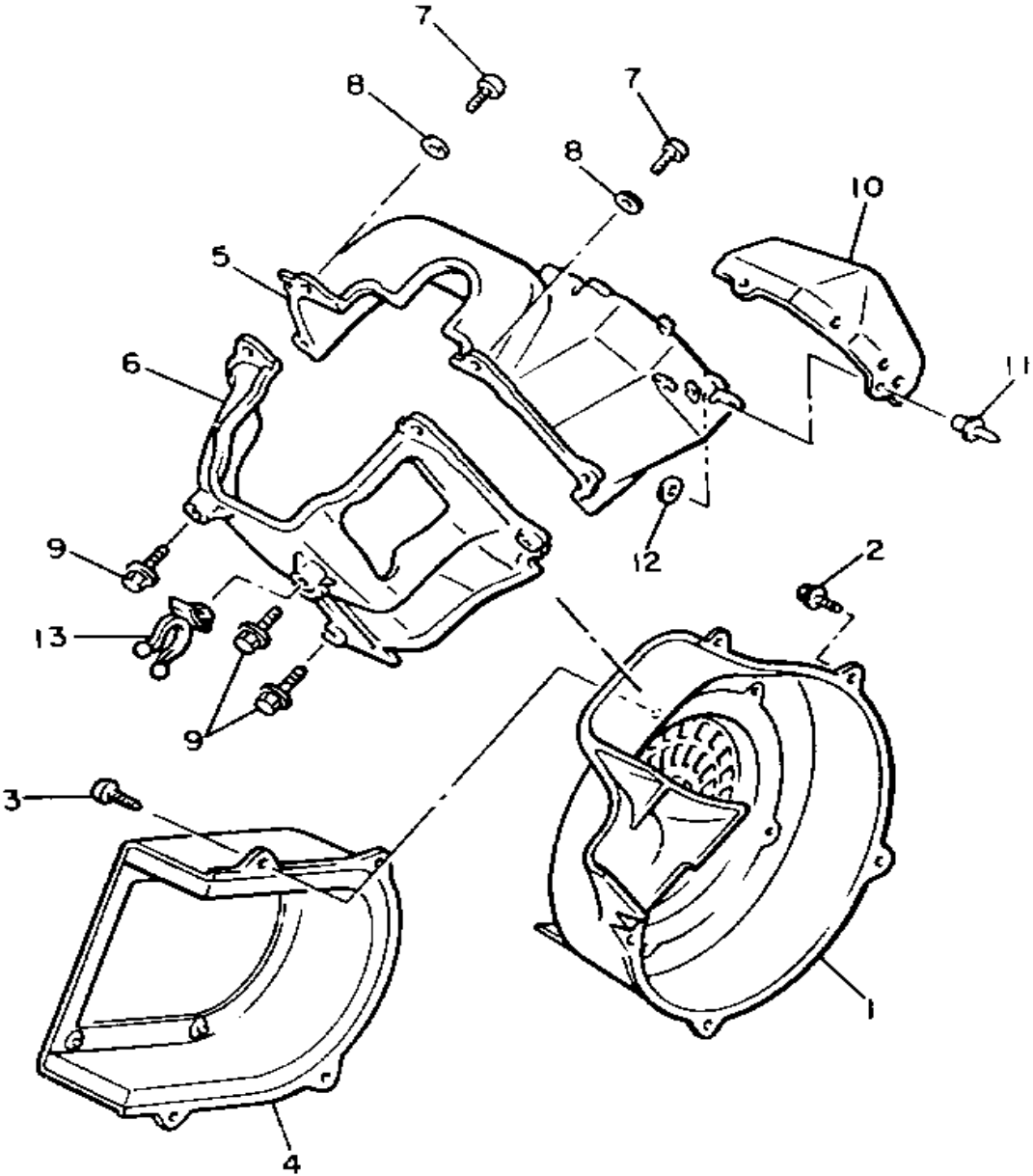
# VALVE



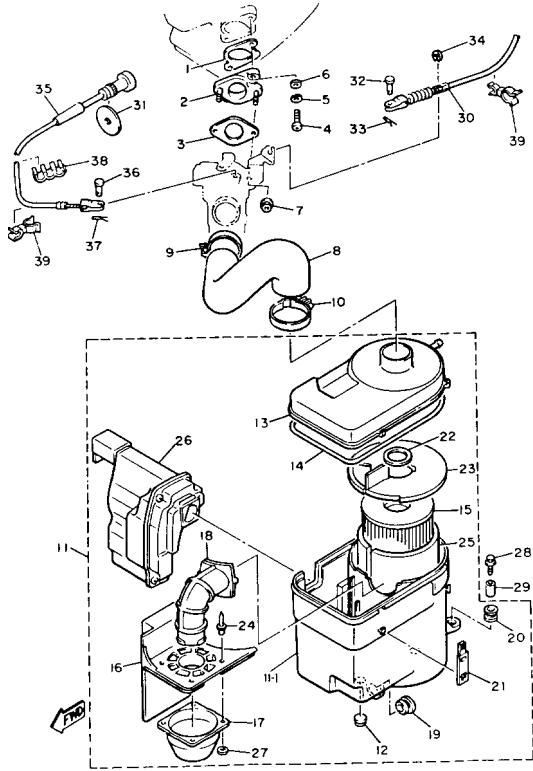
Ref. No.	Part Number	Description	Qty	Remarks
1	99999-01846-00	VALVE, intake (J38-12111-00)	1	
	J38-12111-01-00	VALVE, INTAKE	1	357~
	J38-12117-01-00	RETAINER, VALVE SPRING	1	
	J38-12118-00-00	COTTER, VALVE	1	
2	99999-01847-00	VALVE, exhaust (J38-12121-00)	1	
	J38-12117-01-00	RETAINER, VALVE SPRING	1	
	J38-12118-00-00	COTTER, VALVE	1	
	J38-12121-01-00	VALVE, EXHAUST	1	
3	90501-264A9-00	SPRING, COMPRESSION	2	
4	J38-12117-00-00	RETAINER, valve spring	2	
	J38-12117-01-00	RETAINER, VALVE SPRING	2	357~
5	4G0-12118-00-00	COTTER, VALVE	2	
	J38-12118-00-00	COTTER, VALVE	4	357
6	J38-12151-01-00	ARM, VALVE ROCKER	1	
7	J38-12161-01-00	ARM, VALVE ROCKER 2	1	
8	J38-12156-00-00	SHAFT, ROCKER 2	1	
9	J38-12154-00-00	ROD, VALVE PUSH	2	
10	J38-12153-00-00	LIFTER, VALVE	2	
11	J38-12171-00-00	CAMSHAFT 1	1	
12	J38-12159-00-00	SCREW, VALVE ADJUSTING	2	
13	J38-12152-00-00	SUPPORT, ROCKER ARM	1	
14	95811-06030-00	BOLT, FLANGE	2	
15	91810-09014-00	PIN, DOWEL	2	
16	5H0-12119-00-00	SEAL, VALVE STEM	1	
17	90170-06128-00	NUT	2	

# AIR SHROUD - FAN

Ref. No.	Part Number	Description	Qty	Remarks
1	J38-12621-01-00	CASE, FAN .....	1	
2	95811-06020-00	BOLT, FLANGE .....	5	
3	97780-60116-00	SCREW, TAPPING .....	4	
4	J38-12640-00-00	FAN CASE COVER COMP. ...	1	
5	J38-12651-01-00	AIR SHROUD, CYLINDER 1 ...	1	
6	J38-12652-00-00	AIR SHROUD, CYLINDER 2 ...	1	
7	98503-06014-00	SCREW, PAN HEAD (92502-06016) .....	4	
8	92990-06600-00	WASHER, PLATE .....	4	
9	90109-06513-00	BOLT .....	4	
10	J38-12631-00-00	DEFLECTOR 1 .....	1	
11	90267-48086-00	RIVET, BLIND .....	2	
12	90201-04325-00	WASHER, PLATE .....	2	
13	90464-15093-00	CLAMP .....	1	



# AIR FILTER

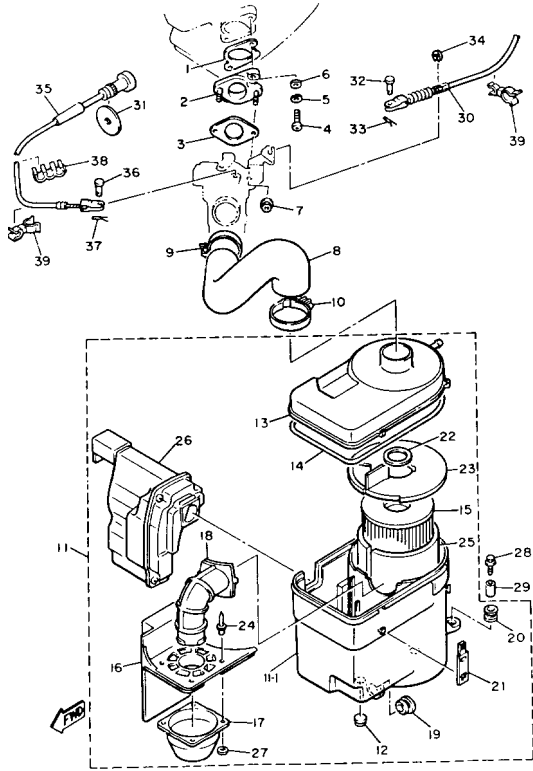


J38110-5050

Ref. No.	Part Number	Description	Qty	Remarks
1	J38-13556-00-00	GASKET, MANIFOLD	1	
2	J38-13596-00-00	JOINT, CARBURETOR 2	1	
3	J38-13557-00-00	GASKET	1	
4	98580-06030-00	SCREW PAN HEAD	2	
5	92995-06100-00	WASHER, SPRING	2	
6	92990-06600-00	WASHER, PLATE	2	
7	95601-06200-00	NUT, U FLANGE	2	
8	J38-14453-01-00	JOINT, AIR CLEANER 1	1	
9	90460-43279-00	CLAMP, HOSE	1	
10	90460-53239-00	CLAMP, HOSE	1	
11	J38-14410-01-00	AIR CLEANER ASSEMBLY 1	1	
12	90480-14100-00	. GROMMET	2	
13	J38-14412-02-00	. CAP, CLEANER CASE 1	1	
14	J38-14452-00-00	. SEAL	1	
15	J38-14450-00-00	. ELEMENT ASSEMBLY, AIR CLEANER	1	
16	J38-14484-00-00	. PLATE, CLEANER CASE FITTING	1	
17	J38-14479-00-00	. FUNNEL	1	
18	J38-14419-00-00	. PIPE	1	
19	90480-18277-00	. GROMMET	1	
20	90480-13238-00	. GROMMET	2	
21	J10-14436-00-00	. HOOK	4	
22	J38-14416-00-00	. GASKET, AIR CLEANER	1	
23	J38-1441F-00-00	. PARTN, AIR CLNR CSAIR CLEANER CASE	1	
24	90267-40073-00	. RIVET, BLIND	4	
25	J10-14417-00-00	. COVER 1	1	
26	J38-1446A-00-00	. SURGE TANK ASSEMBLY	1	
27	92990-04200-00	. WASHER, PLAIN	4	

CONTINUED ON NEXT FRAME ►

# AIR FILTER



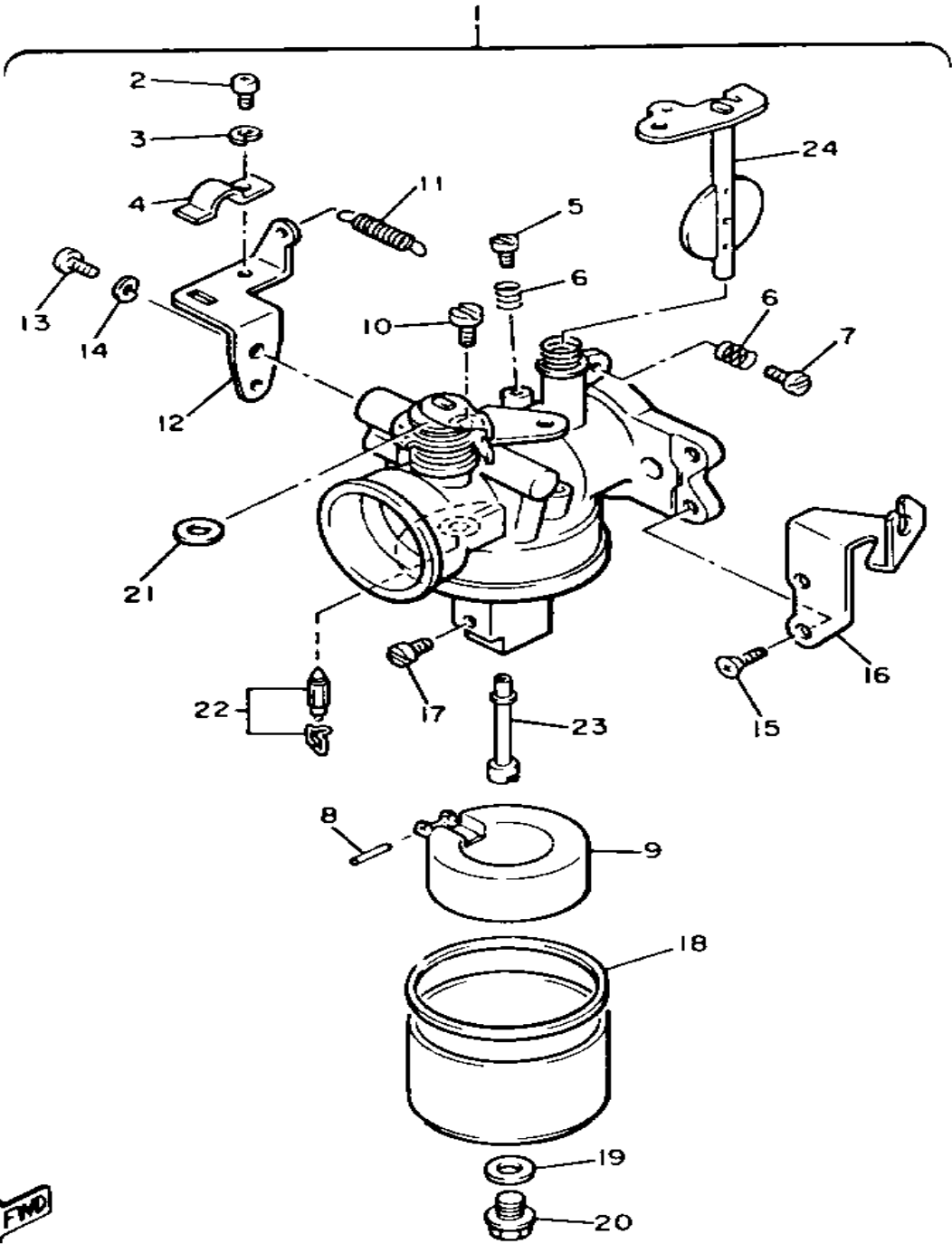
J38110-5050

Ref. No.	Part Number	Description	Qty	Remarks
28	90119-06097-00	BOLT, WITH WASHER	2	
29	90387-07390-00	COLLAR	2	
30	J38-26312-00-00	CABLE, THROTTLE 2	1	
31	90201-114E6-00	WASHER, PLATE	1	
32	91701-05010-00	PIN, CYLINDER. HEAD	2	
33	90468-10050-00	CLIP	2	
34	99080-07600-00	CIRCLIP (E)	1	
35	JF2-F6331-00-00	CABLE, STARTER 1	1	
36	91701-05010-00	PIN, CYLINDER. HEAD	1	
37	90468-10050-00	CLIP	1	
38	90468-07179-00	CLIP	1	
39	90464-20096-00	CLAMP (J38)	2	
11-1	J38-14411-00-00	. CASE, AIR CLEANER 1	1	



# CARBURETOR

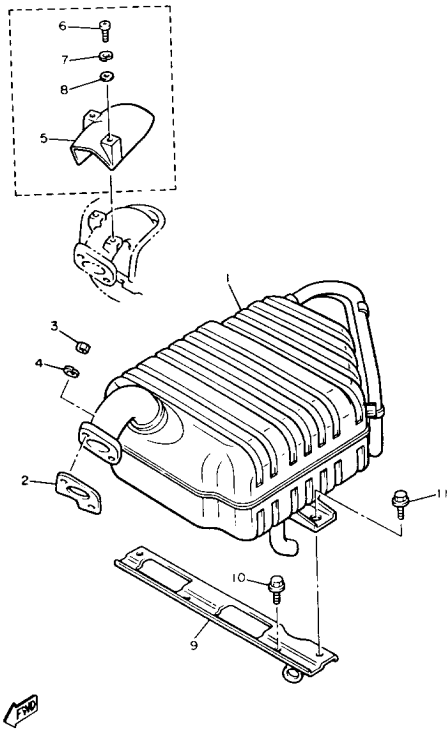
Ref. No.	Part Number	Description	Qty	Remarks
1	J38-14101-00-00	CARBURETOR ASSEMBLY 1	1	
2	98501-05010-00	. SCREW, PAN HEAD	1	
3	92990-05100-00	. WASHER, SPRING	1	
4	J38-14243-00-00	. PLATE	1	
5	75G-14211-00-00	. SCREW, PILOT ADJUSTING	1	
6	620-14212-00-00	. SPRING, PILOT ADJUSTING	2	
7	J10-14122-00-00	. SCREW, THROTTLE	1	
8	J38-14186-00-00	. PIN, FLOAT	1	
9	J38-14185-00-00	. FLOAT	1	
10	620-14142-67-00	. JET, PILOT (#67.5)	1	Alt. Part
	620-14142-72-00	. JET, PILOT (#72.5)	1	U.R. STD
11	J38-14133-00-00	. SPRING, THROTTLE STOP	1	
12	J38-14581-00-00	. BRACKET	1	
13	98580-06010-00	. SCREW, PAN HEAD (92503-06010)	1	
14	92995-06100-00	. WASHER, SPRING	1	
15	98701-05008-00	. SCREW, FLAT HEAD	2	
16	J38-14291-00-00	. BRACKET 1	1	
17	3G2-1423E-41-00	. JET, MAIN (#103.8)	1	Alt. Part
	3G2-1423E-42-00	. JET, MAIN (#106.3)	1	U.R. STD
18	796-14184-00-00	. GASKET, FLOAT CHAMBER	1	
19	127-14198-00-00	. GASKET	1	
20	7R1-14162-00-00	. BOLT, HOLDING	1	
21	J10-14597-00-00	. WASHER	1	
22	J38-14150-00-00	. NEEDLE ASSEMBLY	1	
23	J38-14141-00-00	. NOZZLE, MAIN	1	
24	J10-14131-00-00	SPRING, THROTTLE	1	OPTIONAL PART
	J38-14202-09-00	. THROTTLE LEVER COMP	1	



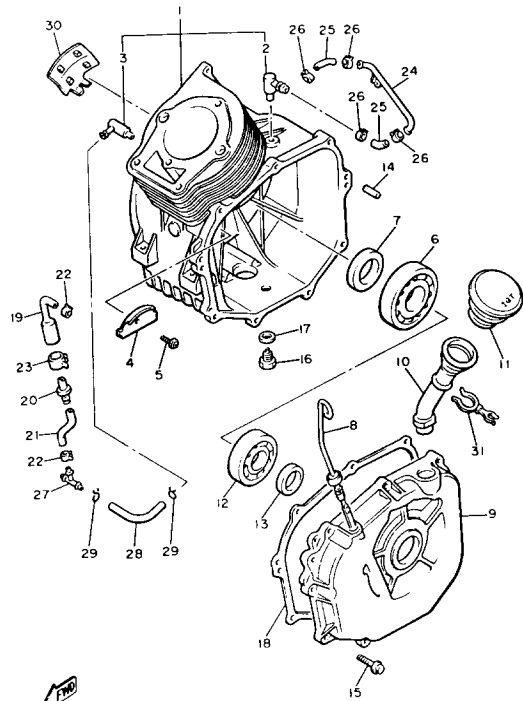
J38100-8060

# EXHAUST

Ref. No.	Part Number	Description	Qty	Remarks
1	J55-E4710-01-00	MUFFLER ASSEMBLY 1	1	
2	J38-14613-01-00	GASKET, EXHAUST PIPE	1	
3	95380-08600-00	NUT	2	
4	92990-08100-00	WASHER	2	
5	J38-14738-00-00	PROTECTOR, muffler 3	1	
6	98580-06012-00	SCREW, PAN HEAD	2	
7	92995-06100-00	WASHER, SPRING	2	
8	92990-06600-00	WASHER, PLATE	2	
9	J38-14771-00-00	STAY, MUFFLER 1	1	
10	95026-10020-00	BOLT, FLANGE	2	
11	90119-08119-00	BOLT, WITH WASHER	2	



# CRANKCASE

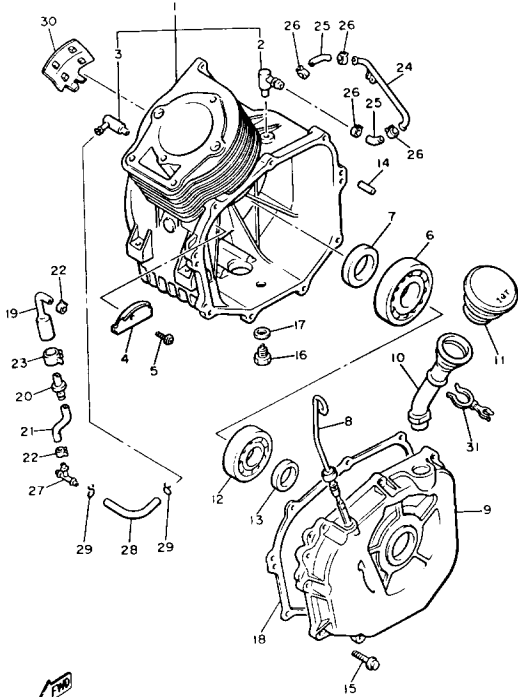


J38100-7080

Ref. No.	Part Number	Description	Qty	Remarks
1	J38-15100-02-00	CRANKCASE ASSEMBLY	1	
2	J38-15148-00-00	. NOZZLE 2	1	
3	J38-15155-00-00	. NOZZLE 3	1	
4	J38-15123-00-00	PLATE, BUFFLE 1	1	
5	90159-05117-00	SCREW, w/washer	1	
6	93306-30709-00	BEARING	1	
7	93102-35191-00	OIL SEAL	1	
8	J38-15361-00-00	GAUGE, LEVEL	1	
9	J38-15411-01-00	COVER, CRANKCASE 1	1	
10	J38-15112-00-00	PIPE, OIL	1	
11	J38-15363-00-00	PLUG, OIL	1	
12	93306-30621-00	BEARING (B6306)	1	
13	93102-30195-00	OIL SEAL	1	
14	93608-12063-00	PIN, DOWEL	2	
15	95811-08035-00	BOLT, FLANGE (95821-08035)	9	
16	90340-12097-00	PLUG, STRAIGHT SCREW	1	
17	90430-12199-00	GASKET	1	
18	J38-15451-00-00	GASKET, CRCS COVERCRANKCASE COVER 1	1	
19	J38-14388-00-00	VALVE, VACUUM CONTROL	1	
20	J38-13115-00-00	CONNECTOR, SUCTION PIPE	1	
21	90445-113E4-00	HOSE	1	
22	90467-10008-00	CLIP	2	
23	90468-08104-00	CLIP	1	
24	J38-13161-00-00	PIPE, DELIVERY 1	1	
25	90445-110E6-00	HOSE	2	
26	90467-10008-00	CLIP	4	
27	807-24376-00-00	PIPE, JOINT 1	1	
28	90445-09073-00	HOSE	1	

CONTINUED ON NEXT FRAME ►

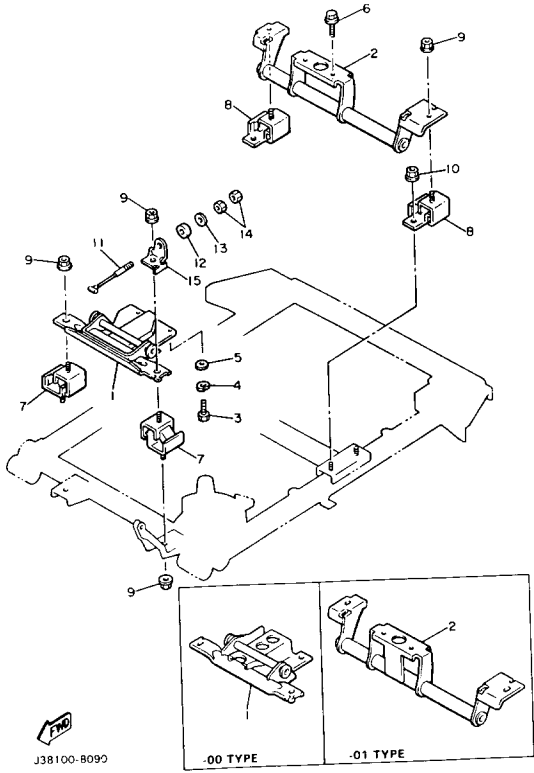
# CRANKCASE



J38100-7080

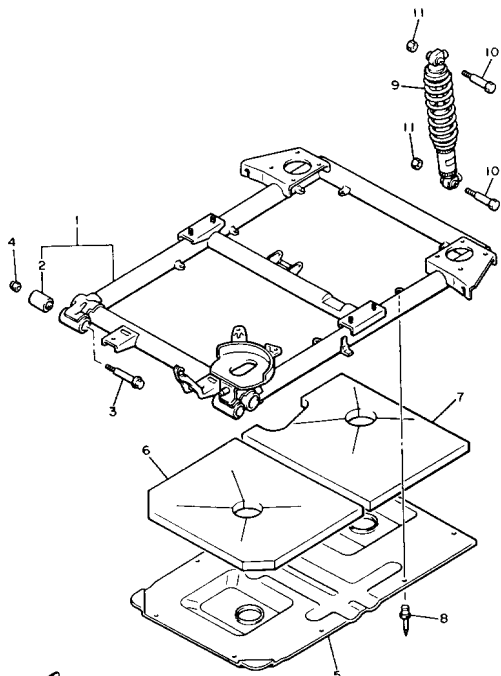
Ref. No.	Part Number	Description	Qty	Remarks
29	90467-08017-00	CLIP .....	2	
30	J38-11355-00-00	SEAL, CYLINDER 1 .....	1	
31	90464-26114-00	CLAMP .....	1	

# ENGINE BRACKET



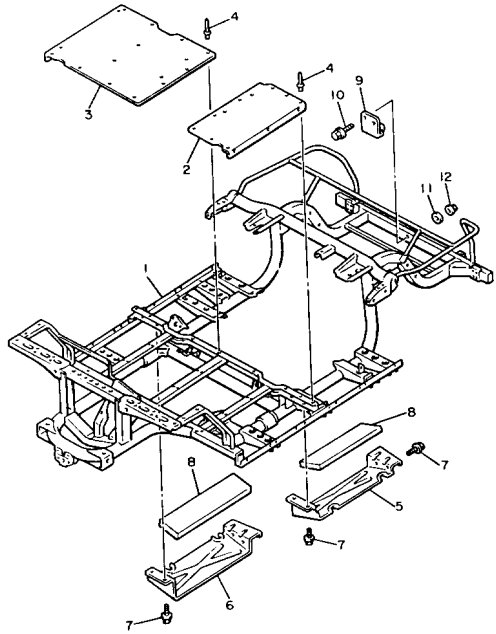
Ref. No.	Part Number	Description	Qty	Remarks
1	J38-21411-02-00	BRACKET, ENGINE 1 .....	1	104~
2	J55-F1419-00-00	BRACKET, ENGINE 2 .....	1	110~
3	97011-10025-00	BOLT .....	2	
4	92901-10100-00	WASHER, SPRING .....	2	
5	92990-10600-00	WASHER, PLATE .....	2	
6	95021-10040-00	BOLT, FLANGE .....	2	
7	J38-21486-00-00	DAMPER 2 .....	2	
8	J38-21488-00-00	DAMPER .....	2	
9	95701-10500-00	NUT, FLANGE (95702-10500) ..	6	
10	95701-08500-00	NUT, FLANGE .....	4	
11	J31-2217J-01-00	TENSIONER 1 .....	1	
12	J17-2214F-00-00	DAMPER 1 .....	1	
13	90201-06778-00	WASHER, PLATE .....	1	
14	95380-06600-00	NUT .....	2	
15	J38-2141A-00-00	BRACKET 1 .....	1	

# REAR SHOCKS



J38110-5100

Ref. No.	Part Number	Description	Qty	Remarks
1	J55-F2110-W0-00	REAR ARM COMP. ....	1	
2	J10-22123-00-00	. BUSH 1 .....	2	
3	90105-10359-00	BOLT, WASHER BASED .....	2	
4	90185-10115-00	NUT, SELF-LOCKING .....	2	
5	J38-22128-00-00	COVER, THRUST 1 .....	1	
6	J55-F211E-00-00	PANEL, INNER 1 .....	1	
7	J55-F211G-00-00	PANEL, INNER 2 .....	1	
8	90267-40127-00	RIVET, BLIND .....	9	
9	JG5-F2210-00-00	SHOCK ABSORBER ASSEMBLY, .....	2	
10	97313-10050-00	BOLT, HEXAGON (676) .....	4	
11	95601-10100-00	NUT, U (95602-10100-00) .....	4	

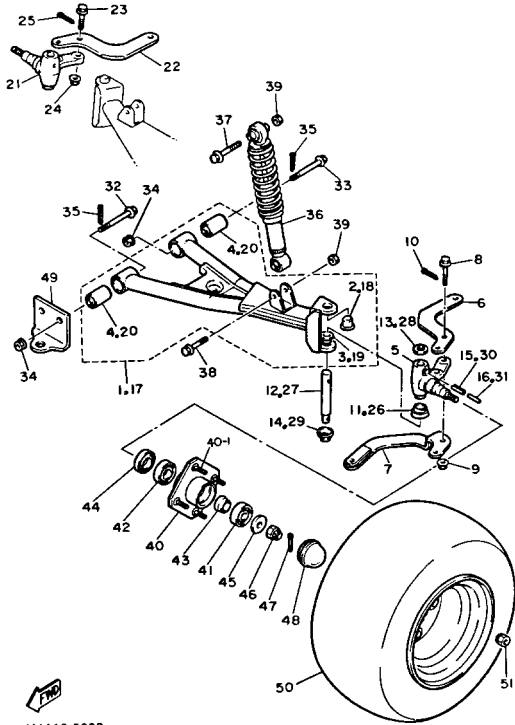


J38110-5111

# FRAME

Ref. No.	Part Number	Description	Qty	Remarks
1	J55-F2501-00-00	FRAME .....	1	
2	J55-F2571-00-00	PANEL 1 .....	1	
3	J55-F2572-00-00	PANEL 2 .....	1	
4	90267-40054-00	RIVET, BLIND .....	20	
5	J38-22592-00-00	PLATE 1 .....	1	
6	J38-22593-00-00	PLATE 2 .....	1	
7	95801-06010-00	BOLT, flange .....	8	
8	J55-K825H-00-00	PAD, SILENCER 4 .....	2	
9	ABA-JF286-00-00	REAR HITCH .....	1	
10	95811-08050-00	BOLT, FLANGE (95812-08050) .	2	
11	90201-08730-00	WASHER, PLATE .....	2	
12	95701-08500-00	NUT, FLANGE .....	2	

# FRONT SUSPENSION - WHEEL



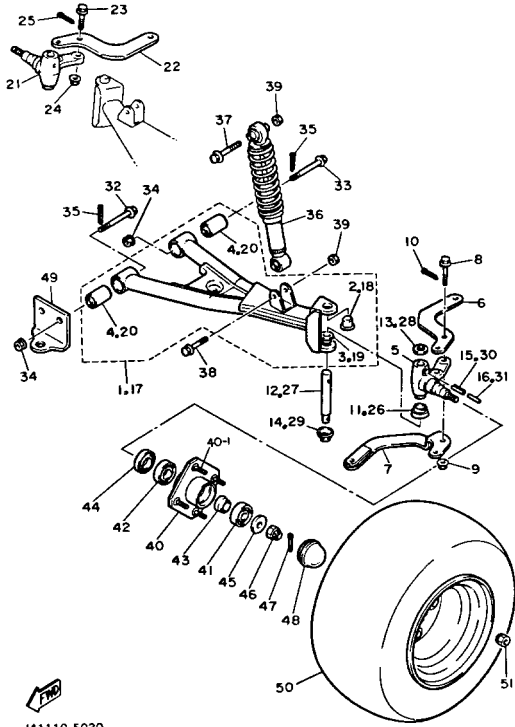
J41110-5030

Ref. No.	Part Number	Description	Qty	Remarks
1	J38-23507-01-00	FRONT LOWER ARM SUB-ASS'Y (L.H) (J38-23507-00)	1	
2	90338-17225-00	. PLUG	1	
3	90386-15139-00	. BUSH	1	
4	J38-23526-00-00	. BUSH	2	
5	J38-23511-01-00	KNUCKLE, STEERING 1	1	
6	J38-23512-02-00	ARM, KNUCKLE 1	1	
7	ABA-JF288-00-00	ARM, STEERING (J41-23532-00)	1	
8	90105-10366-00	BOLT, WASHER BASED	2	
9	90185-10115-00	NUT, SELF-LOCKING	2	
10	91401-25020-00	PIN, COTTER	2	
11	J38-23527-00-00	SEAL, DUST	1	
12	J38-23516-00-00	PIN, STEERING KNUCKLE	1	
13	90201-156J2-00	WASHER, PLAIN	1	
14	J38-23528-00-00	SEAL, DUST	1	
15	91609-60028-00	PIN, SPRING	1	
16	91609-35028-00	PIN, SPRING	1	
17	J38-23508-01-00	FRONT LOWER ARM SUB-ASS'Y (R.H) (J38-23508-00)	1	
18	90338-17225-00	. PLUG	1	
19	90386-15139-00	. BUSH	1	
20	J38-23526-00-00	. BUSH	2	
21	J38-23521-01-00	KNUCKLE, STEERING 2	1	
22	J38-23512-02-00	ARM, KNUCKLE 1	1	
23	90105-10360-00	BOLT, FLANGE	2	
24	90185-10115-00	NUT, SELF-LOCKING	2	
25	91401-25020-00	PIN, COTTER	2	
26	J38-23527-00-00	SEAL, DUST	1	
27	J38-23516-00-00	PIN, STEERING KNUCKLE	1	

CONTINUED ON NEXT FRAME ►

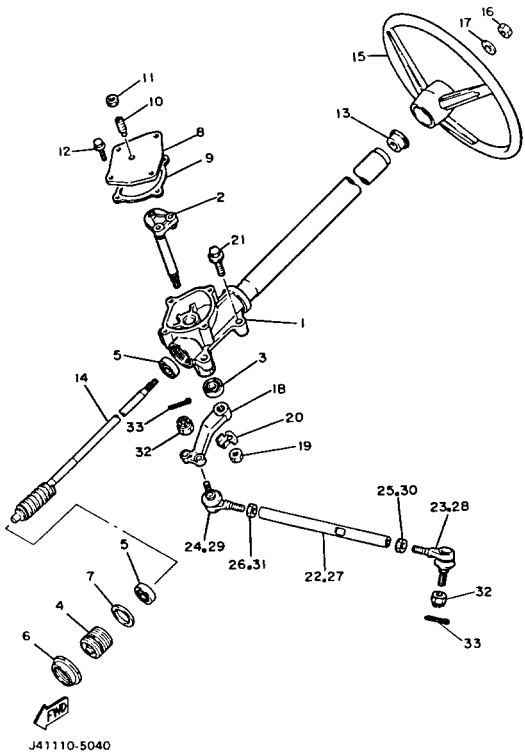


# FRONT SUSPENSION - WHEEL



Ref. No.	Part Number	Description	Qty	Remarks
28	90201-156J2-00	WASHER, PLAIN	1	
29	J38-23528-00-00	SEAL, DUST	1	
30	91609-60028-00	PIN, SPRING	1	
31	91609-35028-00	PIN, SPRING	1	
32	90105-10358-00	BOLT, WASHER BASED	2	
33	90105-10357-00	BOLT, FLANGE	2	
34	90185-10115-00	NUT, SELF-LOCKING	4	
35	91401-25020-00	PIN, COTTER	4	
36	JG5-F3350-00-00	SHOCK ABSORBER ASSEMBLY	2	
37	97002-10065-00	BOLT	2	
38	97313-10050-00	BOLT, HEXAGON (676)	2	
39	95601-10100-00	NUT, U (95602-10100-00)	4	
40	J38-W2511-00-00	HUB, FRONT	2	
41	93306-20421-00	BEARING	2	
	93306-20437-00	BEARING	2	See Note 1 072306~
42	93306-00510-00	BEARING	2	
	93306-00511-00	BEARING	2	See Note 1 072306~
43	90387-241M7-00	COLLAR	2	
44	93102-30083-00	SEAL, OIL	2	
45	90209-32271-00	WASHER	2	
46	95601-14100-00	NUT, U (95602-14100-00)	2	
47	91401-25020-00	PIN, COTTER	2	
48	J17-25118-00-00	COVER, HUB DUST	2	
49	J41-23881-02-00	BRACKET 1 (J41-23881-01)	1	
50	FRO-NT--	WHEEL ASS'Y.	2	LM See Note 2
51	90179-12262-00	NUT	8	
40-1	90114-12003-00	. BOLT, RIBBED NECK	8	

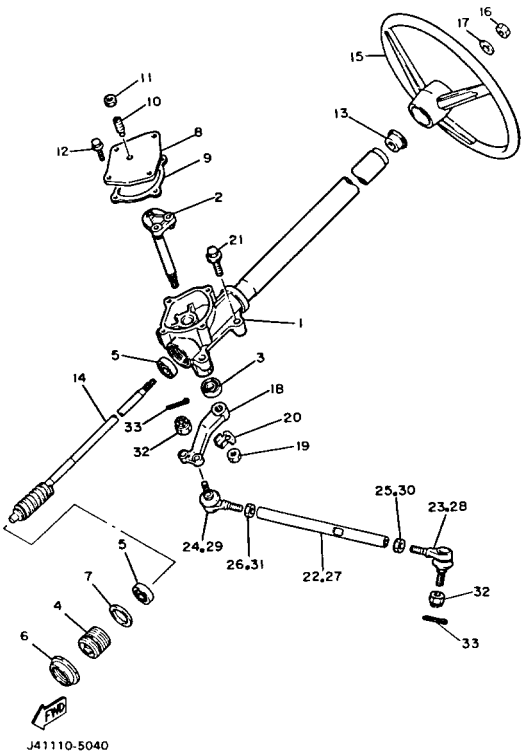
# STEERING



Ref. No.	Part Number	Description	Qty	Remarks
1	J55-F3811-00-00	COLUMN, STEERING (J38-23811-00)	1	
2	J38-23816-00-00	ARM, PITMAN	1	
3	93102-22087-00	OIL SEAL	1	
4	J55-F3876-00-00	BOLT	1	
5	93332-00010-00	BEARING	2	
6	J10-23877-00-00	NUT	1	
7	J10-23444-00-00	WASHER	1	
8	J55-23818-00-00	COVER, STEERING	1	
9	J38-23462-00-00	SEAL, STEERING (J38-23462-01-00)	1	
10	J10-23459-00-00	BOLT	1	
11	90170-08024-00	NUT, HEX.	1	
12	95811-06020-00	BOLT, FLANGE	4	
13	J38-23814-00-00	HOLDER, HANDLE UPPER	1	
14	J10-23840-00-00	STEERING SHAFT	1	
15	J55-F3838-00-00	WHEEL, STEERING (J10-23838-00)	1	
16	90185-12119-00	NUT, SELF-LOCKING	1	
17	92990-12200-00	WASHER, PLAIN	1	
18	J38-23826-01-00	ARM, IDLER	1	
19	95701-16300-00	NUT, FLANGE	1	
20	90215-16252-00	WASHER, TONGUE	1	
21	95811-10050-00	BOLT, FLANGE (95812-10050-00)	4	
22	J38-23831-02-00	ROD, TIE	1	
23	J38-23841-01-00	JOINT, UNIVERSAL 1	1	
24	J38-23845-01-00	JOINT, UNIVERSAL 2	1	
25	90170-12055-00	NUT	1	
26	90170-12054-00	NUT	1	

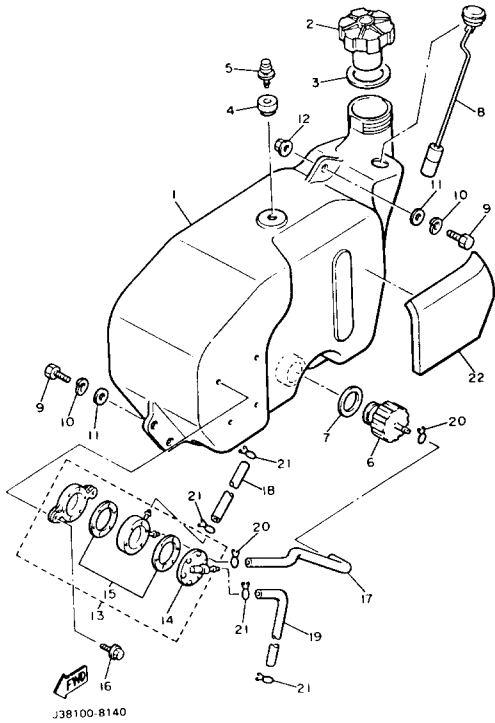
CONTINUED ON NEXT FRAME ►

# STEERING



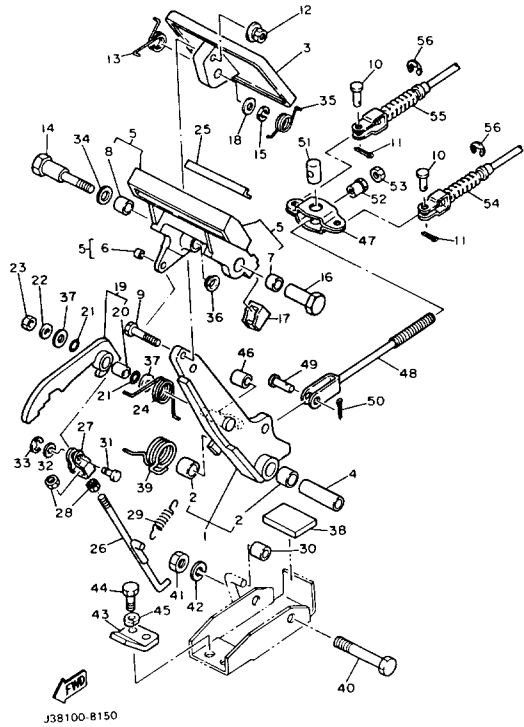
Ref. No.	Part Number	Description	Qty	Remarks
27	J38-23837-02-00	ROD, TIE 2	1	
28	J38-23841-01-00	JOINT, UNIVERSAL 1	1	
29	J38-23845-01-00	JOINT, UNIVERSAL 2	1	
30	90170-12055-00	NUT	1	
31	90170-12054-00	NUT	1	
32	95601-10100-00	NUT, U (95602-10100-00)	4	
33	91401-25020-00	PIN, COTTER	4	

# FUEL TANK



Ref. No.	Part Number	Description	Qty	Remarks
1	J55-F4111-00-00	FUEL TANK	1	
2	J24-24620-01-00	BODY CAP ASSEMBLY	1	
3	J10-24612-00-00	GASKET, CAP	1	
4	J10-21773-00-00	GROMMET	1	
5	J24-24460-01-00	RELEASE VALVE ASSEMBLY.	1	
6	8R4-24560-00-00	FILTER ASSEMBLY.	1	
7	8F3-24564-00-00	GASKET	1	
8	J38-85710-02-00	FUEL LEVEL GAUGE ASSEMBLY.	1	
9	97001-08025-00	BOLT (1NV)	3	
10	92990-08100-00	WASHER	3	
11	90201-08748-00	WASHER, PLATE	3	
12	95701-08500-00	NUT, FLANGE	1	
13	J38-24410-10-00	FUEL PUMP ASSEMBLY	1	
14	J38-24452-18-00	. COVER, FUEL PUMP	2	
15	38W-W1391-01-00	. FUEL PUMP SEAL SET	1	
16	95811-06016-00	BOLT, FLANGE (95822-06016)	2	
17	J38-24311-00-00	PIPE, FUEL 1	1	
18	90445-09225-00	HOSE	1	
19	90445-09085-00	HOSE	1	
20	90467-11009-00	CLIP	2	
21	90467-08017-00	CLIP	4	
22	J55-F4129-00-00	COVER, SIDE 1 (J38-24129-00)	1	

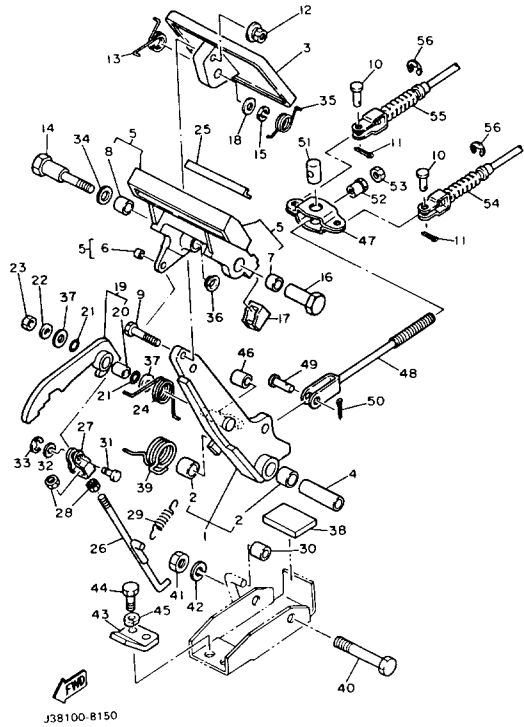
# BRAKE



Ref. No.	Part Number	Description	Qty	Remarks
1	92990-10600-00	. WASHER, PLATE .....	1	
	99080-07600-00	. CIRCLIP (E) .....	1	
	99999-01757-00	BRAKE ARM CMLPT (J17-27250-01) .....	1	
2	90384-14080-00	. BUSH, BIMETAL .....	2	
3	J10-27211-00-00	PEDAL, BRAKE .....	1	
4	90387-107F8-00	COLLAR .....	1	
5	99999-01799-00	PARKING PEDAL COMP. (J17-25670-00) .....	1	
	J17-25670-00-00	. PARKING PEDAL COMP. ....	1	
	J17-25679-01-00	. DAMPER .....	2	
6	90384-05163-00	. BUSH, BIMETAL .....	1	
7	90384-12164-00	. BUSH, BIMETAL .....	1	
8	90380-12051-00	. BUSH, SOLID .....	1	
9	90101-06555-00	BOLT, HEX. ....	1	
10	91701-08018-00	PIN .....	4	
11	91490-25020-00	PIN, COTTER .....	4	
12	90179-07564-00	NUT .....	1	
13	90508-23542-00	SPRING, TORSION .....	1	
14	90109-08669-00	BOLT .....	1	
15	92990-08100-00	WASHER .....	1	
16	90179-08378-00	NUT .....	1	
17	J17-25679-00-00	DAMPER .....	2	
18	92990-08200-00	WASHER, PLAIN .....	1	
19	J17-W2561-00-00	SECTOR, PARKING BRAKE ..	1	
20	90384-10162-00	. BUSH, BIMETAL .....	1	
21	J17-27221-00-00	SEAL, SHAFT .....	2	
22	90201-065F3-00	WASHER, PLATE .....	1	
23	95601-06100-00	NUT, U .....	1	

CONTINUED ON NEXT FRAME ►

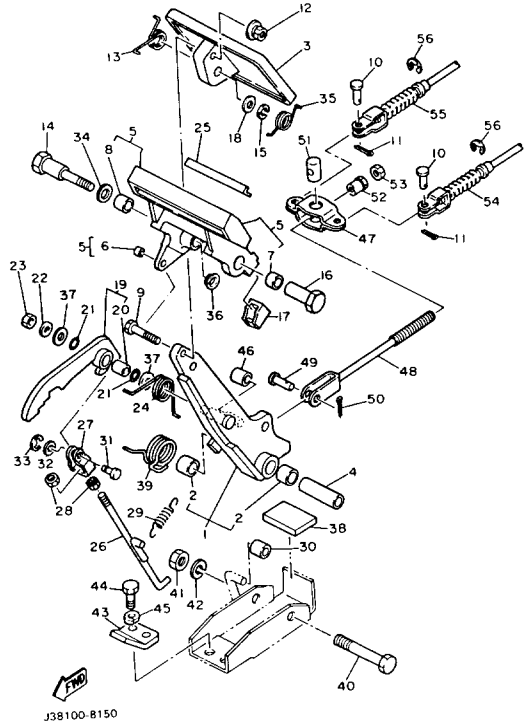
# BRAKE



Ref. No.	Part Number	Description	Qty	Remarks
24	90508-14548-00	SPRING, TORSION	1	
25	J17-25672-00-00	PAD, PARKING PEDAL	1	
26	J17-27231-00-00	ROD, BRAKE	1	
27	J17-27232-00-00	END, ROD	1	
28	95380-06700-00	NUT	2	
29	90506-12277-00	SPRING, TENSION	1	
30	J17-25673-00-00	DAMPER, BRAKE	1	
31	J17-27228-00-00	PIN, LINK JOINT	1	
32	92901-05600-00	WASHER, PLATE	1	
33	99080-04600-00	CIRCLIP (E)	1	
34	90201-123F2-00	WASHER, PLAIN	1	
35	90508-26557-00	SPRING, TORSION	1	
36	90380-12105-00	BUSH, SOLID	1	
37	90201-104G8-00	WASHER, PLAIN	2	
38	J17-27245-00-00	PAD, BRAKE PEDAL	1	
39	90508-40543-00	SPRING, TORSION	1	
40	90101-10447-00	BOLT, HEX.	1	
41	95601-10100-00	NUT, U (95602-10100-00)	1	
42	92901-10100-00	WASHER, SPRING	1	
43	J17-27246-00-00	NAIL, BRAKE	1	
44	97313-08020-00	BOLT, HEXAGON	2	
45	92990-08100-00	WASHER	2	
46	J17-25673-00-00	DAMPER, BRAKE	1	
47	J10-25681-00-00	EQUALIZER, BRAKE	1	
48	J20-25685-00-00	ROD	1	
49	91701-10022-00	PIN	1	
50	91490-30020-00	PIN, COTTER	1	
51	90249-14129-00	PIN	1	
52	90179-08261-00	NUT	1	

CONTINUED ON NEXT FRAME ►

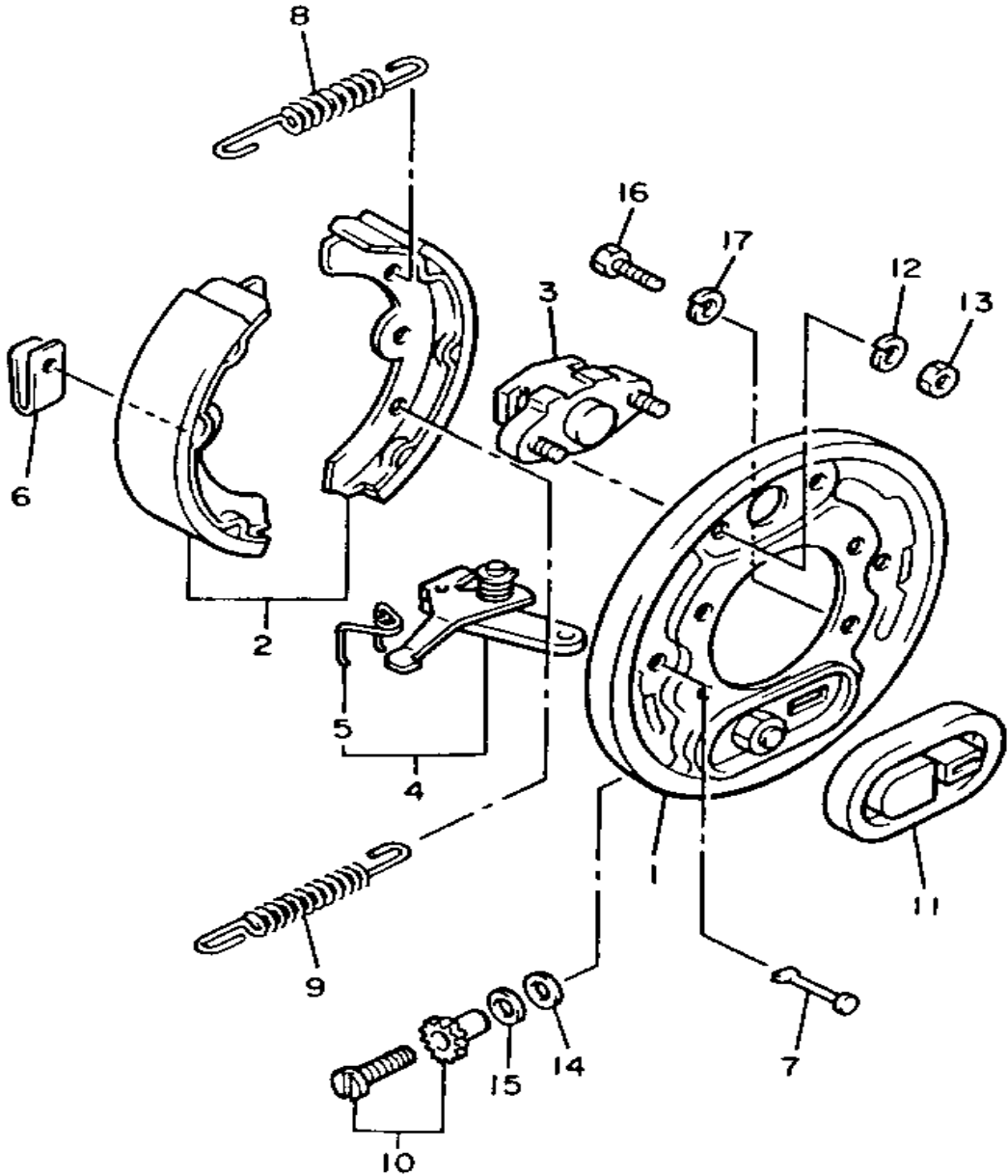
# BRAKE



Ref. No.	Part Number	Description	Qty	Remarks
53	95303-08700-00	NUT .....	1	
54	J55-F6341-00-00	CABLE, BRAKE .....	1	
55	J55-F6351-00-00	CABLE, BRAKE .....	1	
56	99001-09600-00	CIRCLIP .....	4	

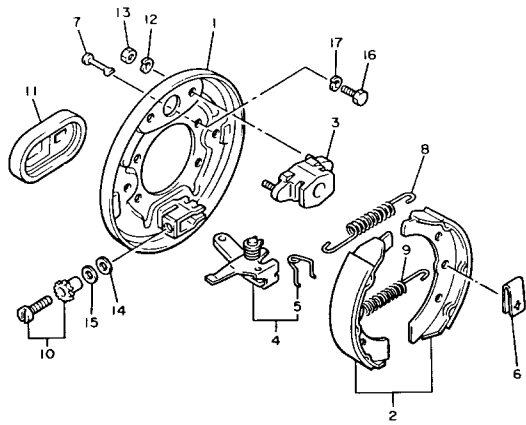
# BRAKE 2

Ref. No.	Part Number	Description	Qty	Remarks
1	J17-27208-00-00	BACKING PLATE SUB ASSEMBLY 1 (R.H)	1	
2	J55-W2536-00-00	BRAKE SHOE SET	1	
3	J17-27206-00-00	ANCHOR BODY COMP.	1	
4	J38-27204-00-00	LEVER ASSEMBLY 1	1	
5	J55-25358-00-00	. SPRING LEVER	1	
6	J10-27281-00-00	SPRING, SHOE CLAMP	2	
7	J10-27282-00-00	PIN, SHOE HOLD DOWN	2	
8	90506-20281-00	SPRING, TENSION	1	
9	90506-26191-00	SPRING, TENSION	1	
10	J55-27270-00-00	ADJUSTER ASSEMBLY	1	
11	J10-27286-00-00	COVER, DUST	1	
12	92995-06100-00	WASHER, SPRING	2	
13	95380-06600-00	NUT	2	
14	90201-121H8-00	WASHER, PLATE	1	
15	90201-121H9-00	WASHER, PLATE	1	
16	97011-08016-00	BOLT	4	
17	92990-08100-00	WASHER	4	





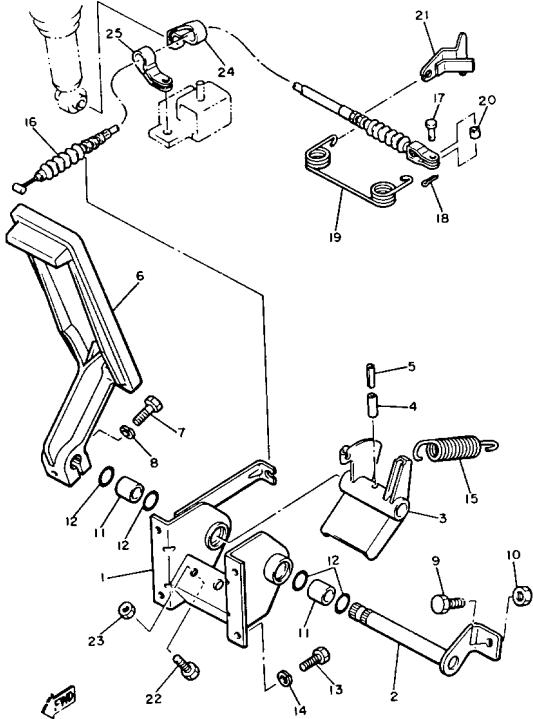
# BRAKE 3



JG5100-1180

Ref. No.	Part Number	Description	Qty	Remarks
1	J17-27209-00-00	BACKING PLATE SUB ASSEMBLY 2 (L.H)	1	
2	J55-W2536-00-00	BRAKE SHOE SET	1	
3	J17-27206-00-00	ANCHOR BODY COMP.	1	
4	J38-27205-00-00	LEVER ASSEMBLY 2	1	
5	J55-25357-00-00	. SPRING, LEVER	1	
6	J10-27281-00-00	SPRING, SHOE CLAMP	2	
7	J10-27282-00-00	PIN, SHOE HOLD DOWN	2	
8	90506-20281-00	SPRING, TENSION	1	
9	90506-26191-00	SPRING, TENSION	1	
10	J55-27260-00-00	ADJUSTER ASSEMBLY	1	
11	J10-27286-00-00	COVER, DUST	1	
12	92995-06100-00	WASHER, SPRING	2	
13	95380-06600-00	NUT	2	
14	90201-121H8-00	WASHER, PLATE	1	
15	90201-121H9-00	WASHER, PLATE	1	
16	97011-08016-00	BOLT	4	
17	92990-08100-00	WASHER	4	

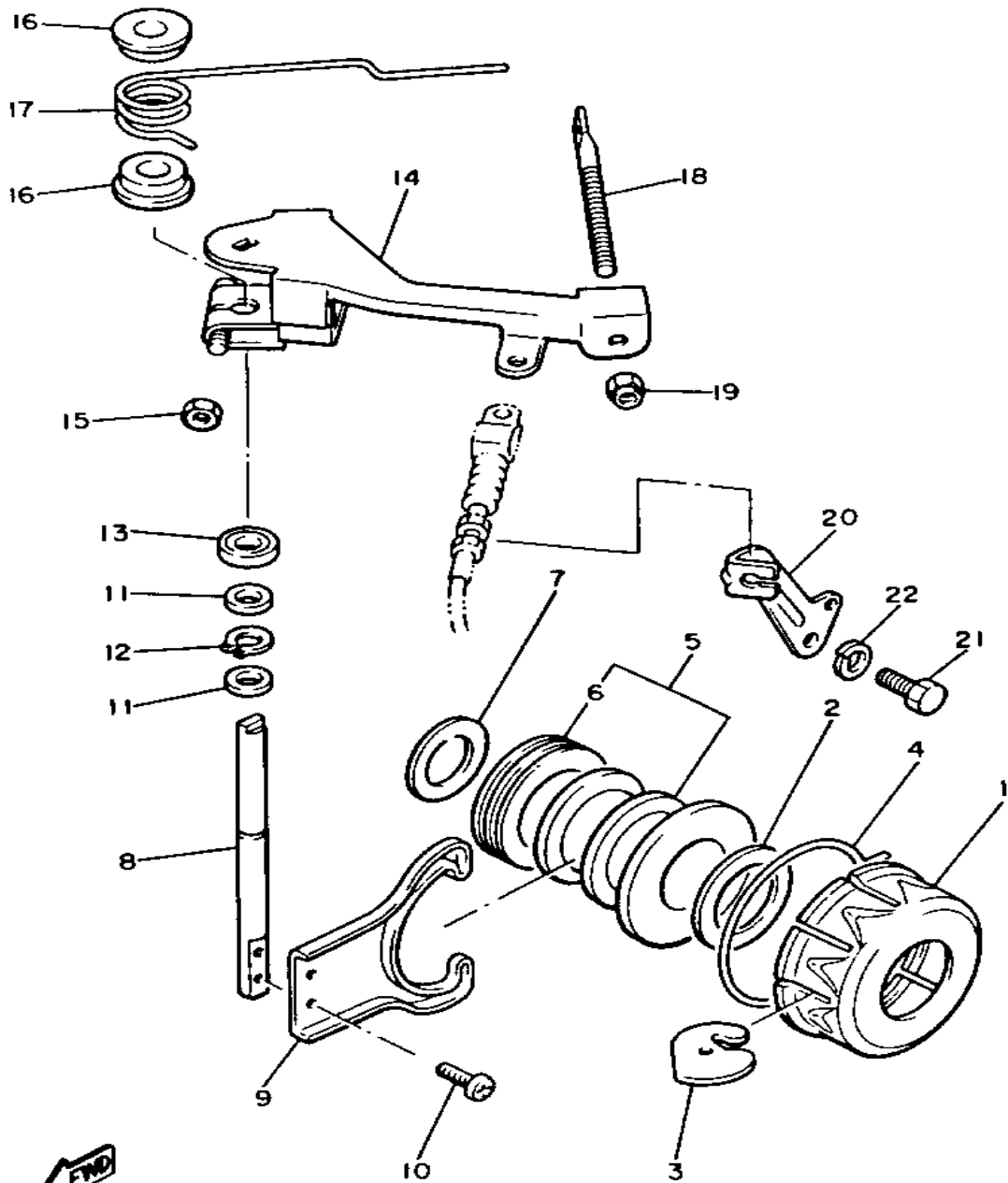
# ACCELERATOR



Ref. No.	Part Number	Description	Qty	Remarks
1	J38-27874-00-00	BRACKET, ACCELERATOR		
		PEDAL .....	1	
2	J17-27853-00-00	SHAFT, PEDAL 1 .....	1	
3	J38-27872-00-00	ARM, ACCELERATOR .....	1	
4	91609-60028-00	PIN, SPRING .....	1	
5	91609-35028-00	PIN, SPRING .....	1	
6	JF3-27871-00-00	PEDAL, ACCELERATOR .....	1	
7	97011-06025-00	BOLT (97001-06025) .....	1	
8	92995-06100-00	WASHER, SPRING .....	1	
9	90106-08040-00	BOLT, RD. HEX .....	1	
10	95303-08700-00	NUT .....	1	
11	90384-14080-00	BUSH, BIMETAL .....	2	
12	93210-14104-00	O-RING .....	4	
13	97313-06016-00	BOLT, HEXAGON .....	4	
14	92995-06100-00	WASHER, SPRING .....	4	
15	90506-26282-00	SPRING, TENSION .....	1	
16	J55-F6311-00-00	CABLE, THROTTLE 1 .....	1	
17	91702-05012-00	PIN .....	1	
18	90468-10050-00	CLIP .....	1	
19	90508-16460-00	SPRING, TORSION .....	1	
20	.21---	BRACKET, THROTTLE .....		
	90560-05001-00	SPACER .....	1	
22	97011-06025-00	BOLT (97001-06025) .....	1	
23	95380-06700-00	NUT .....	1	
24	90461-08048-00	CLAMP .....	1	
25	90461-08106-00	CLAMP .....	1	

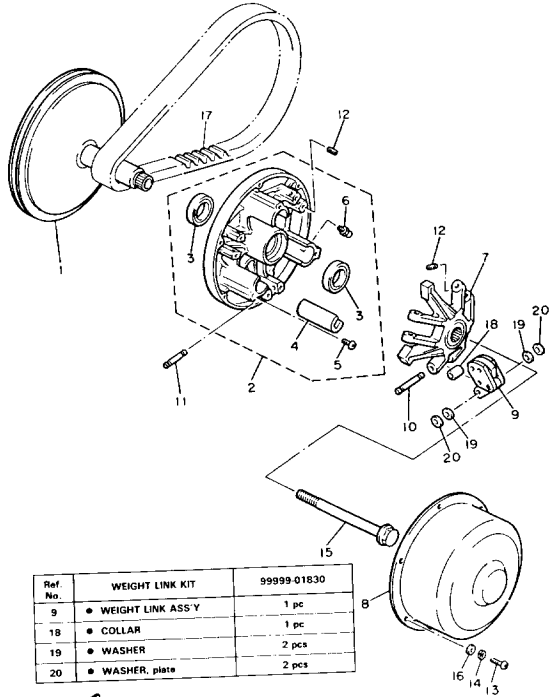
# GOVERNOR

Ref. No.	Part Number	Description	Qty	Remarks
1	J10-27912-00-00	RETAINER	1	
2	90387-21690-00	COLLAR	1	
3	J10-27913-00-00	WEIGHT	12	
4	J10-27911-00-00	HOLDER	1	
5	J10-27927-00-00	LIFTER	1	
6	93342-22502-00	. BEARING, THRUST	1	
7	90201-20275-00	WASHER, PLATE	1	
8	J38-27921-00-00	SHAFT, GOVERNOR	1	
9	J10-27922-00-00	FORK, GOVERNOR	1	
10	90157-04092-00	SCREW, PAN HEAD	2	
11	90202-08110-00	WASHER, PLATE	2	
12	99009-06600-00	CIRCLIP	1	
13	93109-08050-00	OIL SEAL	1	
14	J38-27951-00-00	LEVER, SPEED	1	
15	95380-06600-00	NUT	1	
16	90386-08141-00	BUSH	2	
17	90508-40678-00	SPRING, TORSION	1	
18	J38-27959-00-00	SCREW, ADJUSTING	1	
19	95701-06300-00	NUT, NYLON	1	
20	J38-27982-00-00	BRACKET, WIRE	1	
21	97022-08016-00	BOLT	1	
22	92990-08100-00	WASHER	1	



J38110-5180

# PRIMARY SHEAVE



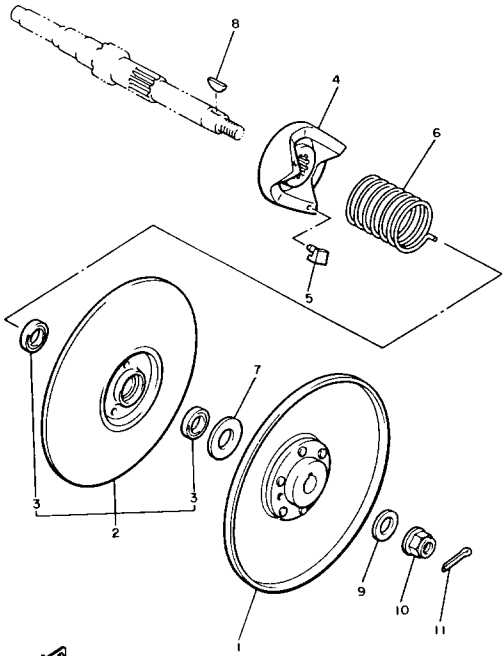
Ref. No.	WEIGHT LINK KIT	99999-01830
9	● WEIGHT LINK ASS'Y	1 pc
18	● COLLAR	1 pc
19	● WASHER	2 pcs
20	● WASHER, plate	2 pcs



J38100-8190

Ref. No.	Part Number	Description	Qty	Remarks
1	J38-46210-00-00	PRIMARY FIXED	1	
2	J38-46220-00-00	PRIMARY SLIDING SHEAVE COMP.	1	
3	93102-28348-00	. OIL SEAL	2	
4	J38-46253-00-00	. SLIDER	3	
5	98901-05008-00	. SCREW, BIND	3	
6	93700-06004-00	. NIPPLE, GREASE	1	
7	J38-46251-00-00	SPIDER	1	
8	J38-46231-00-00	CAP	1	
9	90202-07164-00	. WASHER, PLATE	2	
	90202-07186-00	. WASHER, PLATE	2	
	90387-076U6-00	. COLLAR	1	
	99999-01830-00	WGHT LINK KIT-G2A (J38-46205-00)	3	
	J38-46205-01-00	. WEIGHT LINK ASSEMBLY	1	
10	J38-46236-00-00	PIN, WEIGHT	3	
11	J38-46237-00-00	PIN, WEIGHT 2	3	
12	90113-04050-00	BOLT, SET	12	
13	98501-05010-00	SCREW, PAN HEAD	6	
14	92990-05100-00	WASHER, SPRING	6	
15	J38-46249-00-00	BOLT	1	
16	90202-07164-00	WASHER, PLATE	6	
17	J55-G6241-00-00	BELT	1	

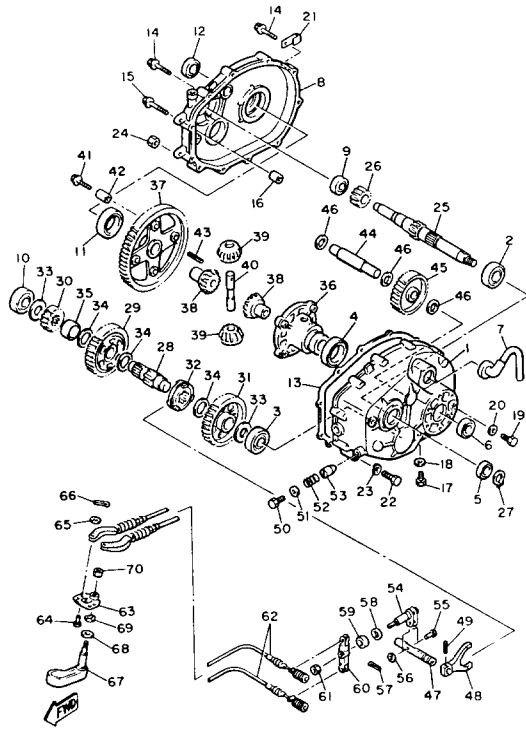
# SECONDARY SHEAVE



J39700-6200

Ref. No.	Part Number	Description	Qty	Remarks
1	J55-G6260-00-00	SECONDARY FIXED SHEAVE COMP. ....	1	
2	J55-G6270-01-00	SECONDARY SLIDING SHEAVE COMP (J38-46270-00) .....	1	
3	93102-20309-00	. SEAL, OIL .....	2	
4	J38-46284-00-00	SEAT, SEC SPRING .....	1	
5	801-17688-10-00	SHOE, RAMP .....	3	
6	90508-45679-00	SPRING, TORSION .....	1	
7	90202-20130-00	WASHER, PLAIN .....	1	
8	90280-05022-00	KEY, WOODRUFF .....	1	
9	90201-12588-00	WASHER, PLATE .....	1	
10	95601-12200-00	NUT, SELF-LOCKING .....	1	
11	91401-25030-00	PIN, COTTER .....	1	

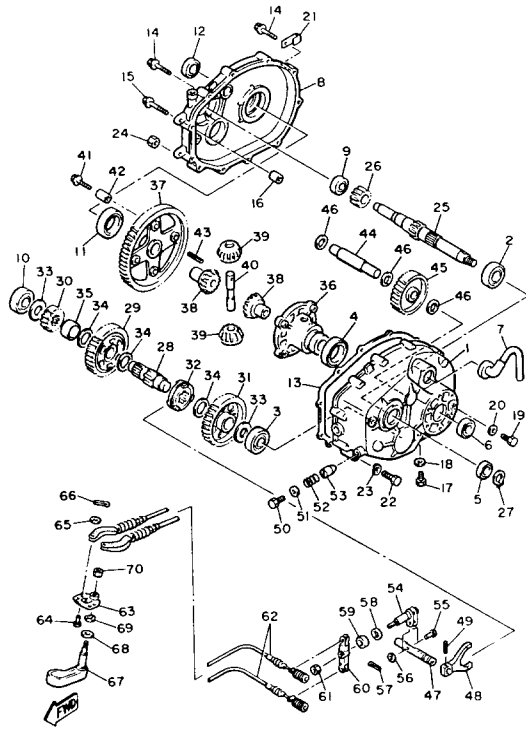
# TRANSMISSION



Ref. No.	Part Number	Description	Qty	Remarks
1	J38-46311-00-00	CASE, TRANSMISSION 1	1	
2	93306-20541-00	BEARING (B6205)	1	
3	93306-20421-00	BEARING	1	
4	93306-00803-00	BEARING (B6008)	1	
5	93102-25017-00	OIL SEAL	1	
6	93102-22189-00	OIL SEAL	1	
7	835-47559-00-00	CAP 2	1	
8	J38-46312-00-00	CASE, TRANS 2	1	
9	93306-20324-00	BEARING	1	
10	93306-20421-00	BEARING	1	
11	93306-00803-00	BEARING (B6008)	1	
12	93102-22189-00	OIL SEAL	1	
13	J38-46319-01-00	GASKET	1	
14	95811-08040-00	BOLT, FLANGE	8	
15	95811-08050-00	BOLT, FLANGE (95812-08050)	2	
16	99510-12016-00	PIN, DOWEL	2	
17	90340-14036-00	PLUG, STRAIGHT SCRW	1	
18	90430-14043-00	GASKET	1	
19	90101-08344-00	BOLT	1	
20	90201-08087-00	WASHER, PLATE	1	
21	90465-06100-00	CLAMP	1	
22	97013-08075-00	BOLT	1	
23	92990-08100-00	WASHER	1	
24	95303-08600-00	NUT	1	
25	J38-46321-02-00	SHAFT, INPUT	1	
26	J38-46331-01-00	GEAR, INPUT 1	1	
27	93410-25017-00	CIRCLIP	1	
28	J38-46351-00-00	SHAFT, COUNTER	1	
29	J38-46361-01-00	GEAR, COUNTER 1	1	

CONTINUED ON NEXT FRAME ➤

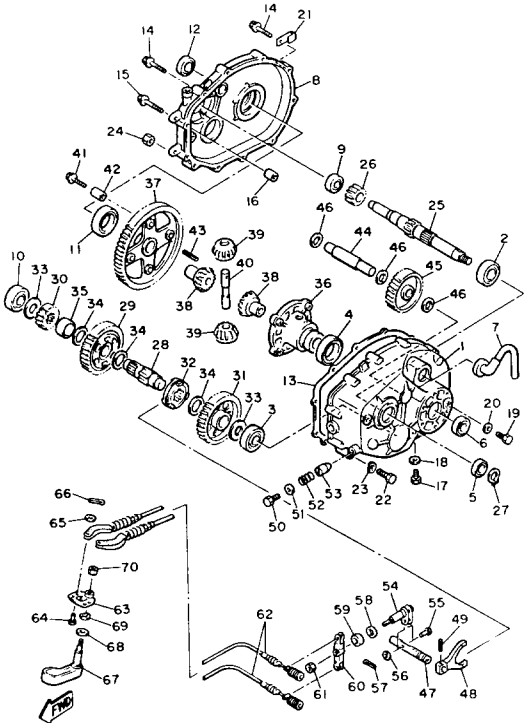
# TRANSMISSION



Ref. No.	Part Number	Description	Qty	Remarks
30	J38-46362-00-00	GEAR, COUNTER 2	1	
31	J38-46363-00-00	GEAR, REVERSE	1	
32	J38-4636A-00-00	DOG, CLUTCH	1	
33	90201-204K8-00	WASHER, PLATE	2	
34	90201-257J2-00	WASHER, PLATE	3	
35	90387-252M8-00	COLLAR	1	
36	J38-46411-01-00	CASE, DIFFERENTIAL	1	
37	J38-46421-01-00	GEAR, RING	1	
38	J38-46414-00-00	GEAR, DIFFERENTIAL SIDE	2	
39	J38-46415-00-00	PINION, DIFFERENTIAL	2	
40	J38-46417-02-00	PIN, DIFFERENTIAL	1	
41	90105-08390-00	BOLT, WASHER BASED	4	
42	91812-16001-00	PIN, DOWEL	2	
43	91609-40040-00	PIN, SPRING	1	
44	J38-46348-00-00	SHAFT 2	1	
45	J38-46356-00-00	GEAR, IDLER	1	
46	90201-17713-00	WASHER, PLATE	3	
47	J38-4633A-00-00	BAR, SHIFT FORK GUIDE	1	
48	J38-46338-00-00	FORK, SHIFT	1	
49	91609-40020-00	PIN, SPRING	1	
50	90101-08344-00	BOLT	1	
51	90201-08087-00	WASHER, PLATE	1	
52	90501-10060-00	SPRING, COMPRESSION	1	
53	90249-07215-00	PIN	1	
54	J38-46384-00-00	LEVER, SHIFT 3	1	
55	91701-06022-00	PIN, CLEVIS	1	
56	92990-06200-00	WASHER	1	
57	91490-20020-00	PIN, COTTER	1	
58	90201-12166-00	WASHER, PLATE	1	

CONTINUED ON NEXT FRAME ➤

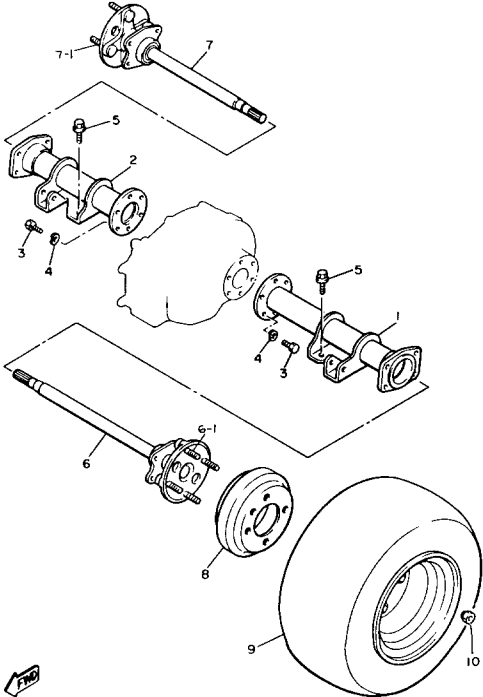
# TRANSMISSION



Ref. No.	Part Number	Description	Qty	Remarks
59	93102-12224-00	OIL SEAL	1	
60	J55-G6383-00-	LEVER, shift 2 (J38-46383-00)	1	
61	95611-08100-00	NUT, U	1	
62	J55-G6371-00-00	SHIFT WIRE	2	
63	J38-46382-00-00	LEVER, SHIFT 1	1	
64	91702-06014-00	PIN	2	
65	92990-06600-00	WASHER, PLATE	2	
66	91490-20020-00	PIN, COTTER	2	
67	J38-46381-00-00	KNOB, SHIFT	1	
68	90201-12474-00	WASHER, PLATE	1	
69	99001-08600-00	CIRCLIP	1	
70	95611-08100-00	NUT, U	1	



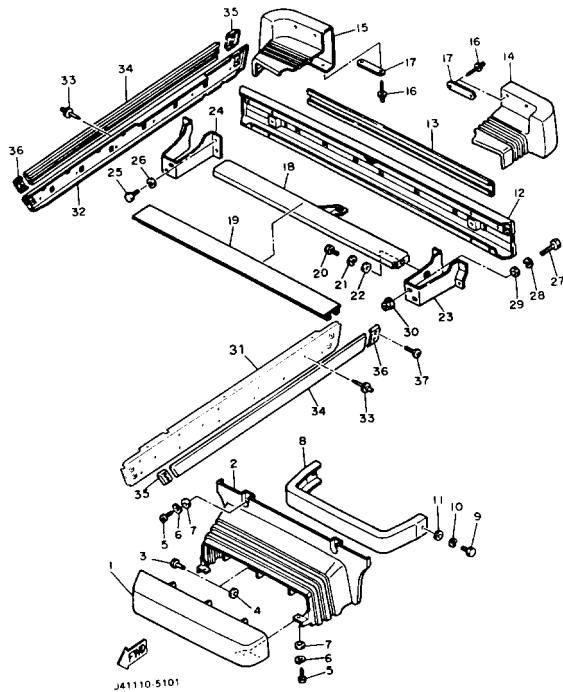
# REAR AXLE - WHEEL



J38100-7220

Ref. No.	Part Number	Description	Qty	Remarks
1	J38-46540-01-00	REAR AXLE HOUSING COMP.	1	
2	J38-46550-01-00	REAR AXLE HOUSING .....	1	
3	97312-08025-00	BOLT (97012-08025) .....	12	
4	92990-08100-00	WASHER .....	12	
5	95811-10020-00	BOLT, FLANGE (95822-10020-00) .....	8	
6	J38-46510-00-00	REAR AXLE SHAFT COMP. ...	1	
7	J38-46520-00-00	REAR AXLE SHAFT COMP. 2 .	1	
8	J55-G6521-00-00	DRUM .....	2	
9	J55-F5100-00-00	FRONT WHEEL ASSEMBLY ..	2	
10	90179-12262-00	NUT .....	8	
6-1	90114-12004-00	. BOLT, RIBBED NECK .....	4	
7-1	90114-12004-00	. BOLT, RIBBED NECK .....	4	

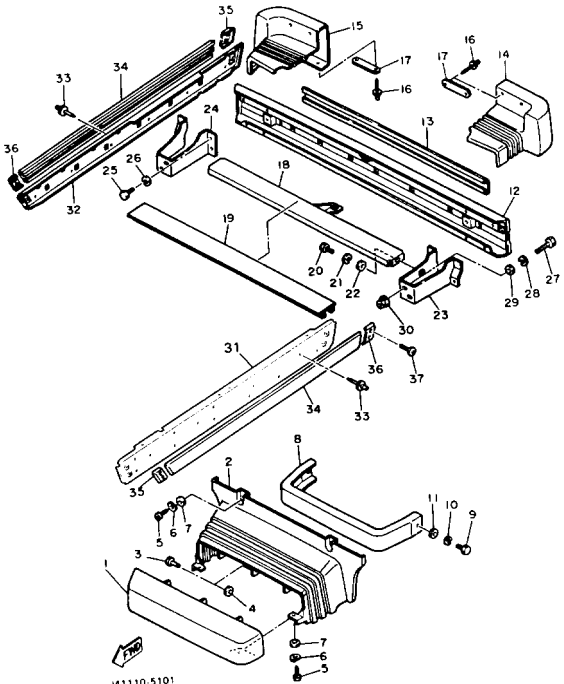
# BUMPER



Ref. No.	Part Number	Description	Qty	Remarks
1	J55-K8162-00-00	PAD, FRONT BUMPER	1	
2	J55-K8163-00-00	COVER, BUMPER	1	
3	90269-06028-00	RIVET	3	
4	90201-076J4-00	WASHER, PLATE	3	
5	98506-05020-00	SCREW, PAN HEAD	4	
6	92906-05100-00	WASHER, SPRING	4	
7	90201-05033-00	WASHER, PLATE	4	
8	J55-K7511-00-00	BUMPER, FRONT 1	1	
9	97022-08016-00	BOLT	2	
10	92990-08100-00	WASHER	2	
11	92990-08600-00	WASHER, PLATE	2	
12	JG5-K8107-00-00	BUMPER SUB-ASSEMBLY, REAR	1	
13	J55-K8172-00-00	PAD, REAR BUMPER (J38-78172-00)	1	
14	J55-K8167-00-00	BUMPER, RUBBER 1	1	
15	J55-K8168-00-00	BUMPER, RUBBER 2	1	
16	90267-40077-00	RIVET, BLIND	8	
17	J17-77525-00-00	WASHER 1	4	
18	J38-78179-01-00	PLATE, EXTENSION	1	
19	J55-K8178-00-00	COVER, EXTENSION PLATE (J38-78178-00)	1	
20	97016-08016-00	BOLT	3	
21	92906-08100-00	WASHER, SPRING	3	
22	92906-08600-00	WASHER	3	
23	J55-K8174-00-00	STAY, REAR BUMPER (J38-78174-01)	1	
24	J55-K8175-00-00	STAY, REAR BUMPER 2 (J38-78175-01)	1	
25	97016-08016-00	BOLT	6	

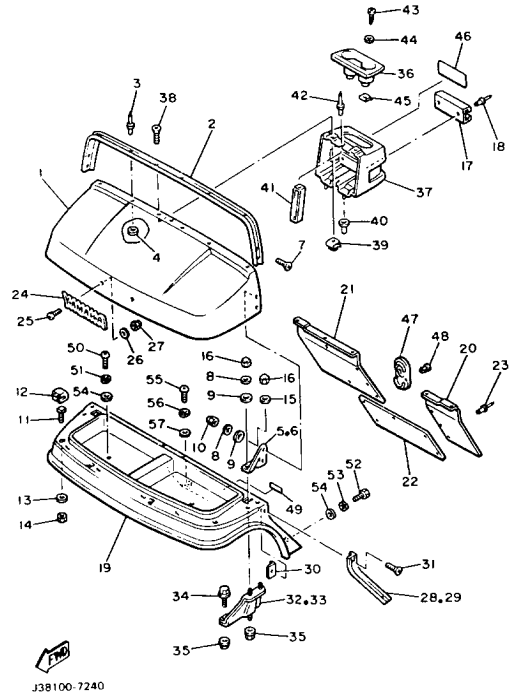
CONTINUED ON NEXT FRAME ►

# BUMPER



Ref. No.	Part Number	Description	Qty	Remarks
26	92906-08100-00	WASHER, SPRING	6	
27	97026-08050-00	BOLT	4	
28	92906-08100-00	WASHER, SPRING	4	
29	92906-08600-00	WASHER	4	
30	95706-08500-00	NUT, flange	4	
31	J55-WK811-00-00	PLATE, SIDE SILL KIT (L.H) (J55-K8183-00)	1	
32	J55-WK812-00-00	PLATE, SIDE SILL KIT (R.H) (J55-K8184-00)	1	
33	90267-48139-00	RIVET, BLIND	18	
34	J55-K818A-00-00	PROTECTOR, SIDE PLT	2	
35	J38-7818E-00-00	CAP, PROTECT.END 1	2	
36	J38-7818F-00-00	CAP, PROTECT.END 2	2	
37	98606-06014-00	SCREW, OVAL HEAD (92606-06014)	8	

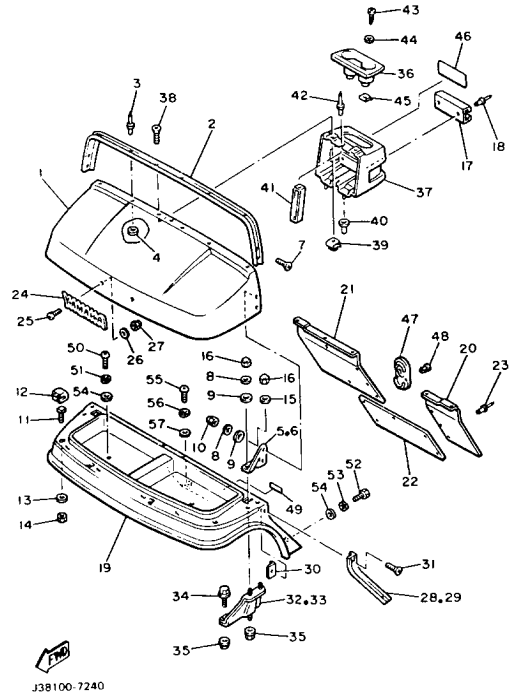
# BODY



Ref. No.	Part Number	Description	Qty	Remarks
1	J55-K8116-00-00	COWL, FRONT UPPER	1	
2	J38-7811A-01-00	TRIM, UPPER COWL	1	
3	90267-48051-00	RIVET, BLIND	4	
4	90201-046J3-00	WASHER, PLATE	4	
5	J55-K811E-00-00	STAY, UPPER COWL (L.H) (J38-7811E-01)	1	
6	J55-K811F-00-00	STAY, UPPER COWL (R.H) (J38-7811F-01)	1	
7	90151-06039-00	SCREW, COUNTERSUNK	4	
8	92990-06200-00	WASHER	6	
9	90202-06172-00	WASHER, PLATE	6	
10	95380-06800-00	NUT	4	
11	J38-7811G-00-00	BOLT, COWL FITTING	4	
12	J38-7811H-00-00	RETAINER, COWL FITTING	4	
13	90201-065F3-00	WASHER, PLATE	4	
14	95601-06100-00	NUT, U	4	
15	90201-062G3-00	WASHER, PLATE	2	
16	95380-06800-00	NUT	4	
17	J55-K835A-00-00	HOLDER, BALL	1	
18	90267-63047-00	RIVET, BLIND	2	
19	J55-K8115-01-00	COWL, FRONT (J38-78115-02)	1	
20	J55-K8231-00-00	MAT, MAIN FLOOR 1 (J38-78231-01)	1	
21	J55-K8232-00-00	MAT, MAIN FLOOR 2 (J38-78232-01)	1	
22	J55-K8236-00-00	MAT, PEDAL FLOOR (J38-78236-01)	1	
23	90267-63047-00	RIVET, BLIND	16	
24	J38-24161-00-00	EMBLEM 1	1	
25	90152-04015-00	SCREW, COUNTERSUNK	2	

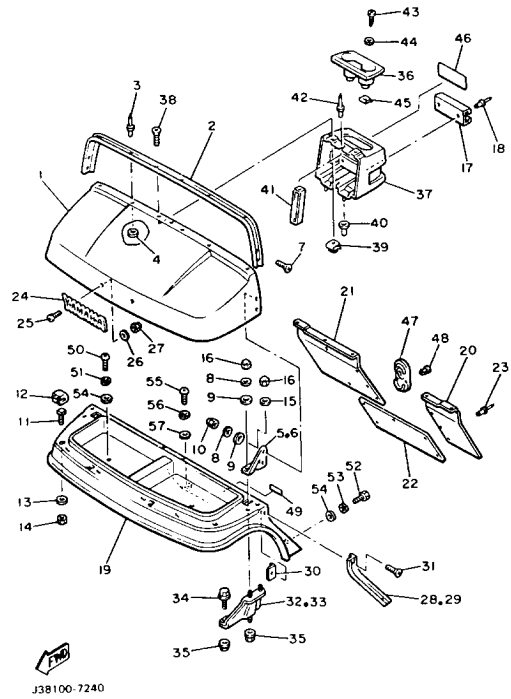
CONTINUED ON NEXT FRAME ➤

# BODY



Ref. No.	Part Number	Description	Qty	Remarks
26	92906-04200-00	WASHER, PLAIN	2	
27	95606-04100-00	NUT, U	2	
28	J38-7811L-00-00	TRIM, COWL SIDE (L.H)	1	
29	J38-7811M-00-00	TRIM, COWL SIDE (R.H)	1	
30	J38-7811K-00-00	NUT, TRIM FITTING	4	
31	90151-06039-00	SCREW, COUNTERSUNK	4	
32	J38-7812E-01-00	SUPPORT, UPPER COWL (L.H)	1	
33	J38-7812F-01-00	SUPPORT, UPPER COWL (R.H)	1	
34	95811-08016-00	BOLT, FLANGE	2	
35	95701-08500-00	NUT, FLANGE	4	
36	J55-K835E-00-00	HOLDER, BEVERAGE (J38-7835E-03)	1	
37	J55-K835G-00-00	HOUSING, HOLDER (J38-7835G-01)	1	
38	90151-06040-00	SCREW, COUNTERSUNK	2	
39	J38-78145-00-00	NUT, REAR BODY MOUNTING	2	
40	90480-12355-00	GROMMET	2	
41	J38-7834A-00-00	REINF., HOLDER	1	
42	90267-48086-00	RIVET, BLIND	2	
43	97780-50125-00	SCREW, TAPPING	2	
44	90201-05556-00	WASHER, PLATE	2	
45	90183-05001-00	NUT, SPRING	2	
46	J55-77768-10-00	LABEL, WARNING (J38-77768-10)	1	
47	J38-78273-00-00	COVER, HOLE	1	
48	90269-11042-00	RIVET	2	
49	J38-77767-10-00	LABEL, WARNING 7	1	
50	98580-06020-00	SCREW	2	
51	92995-06100-00	WASHER, SPRING	2	
52	97395-06020-00	BOLT, HEXAGON	2	

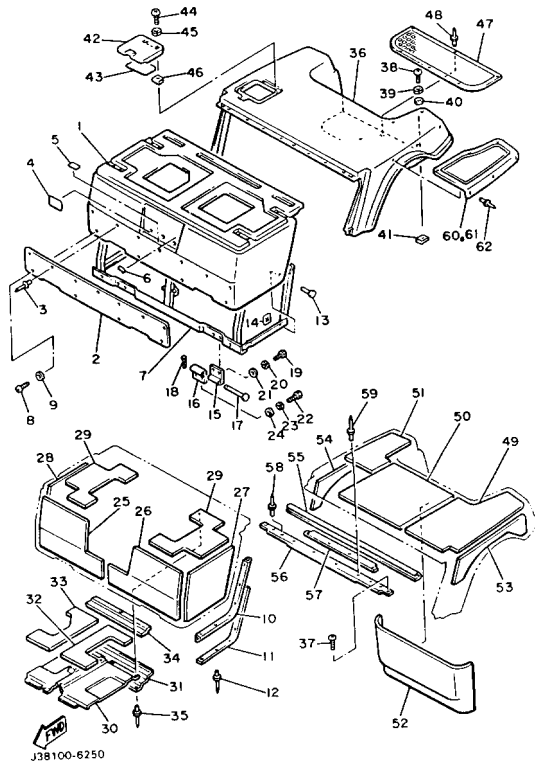
CONTINUED ON NEXT FRAME ►



# BODY

Ref. No.	Part Number	Description	Qty	Remarks
53	92990-06100-00	WASHER, SPRING .....	2	
54	90201-06697-00	WASHER, PLATE .....	4	
55	92580-06020-00	SCREW, PAN HEAD .....	1	
56	92995-06100-00	WASHER, SPRING .....	1	
57	90201-06049-00	WASHER, PLATE .....	1	

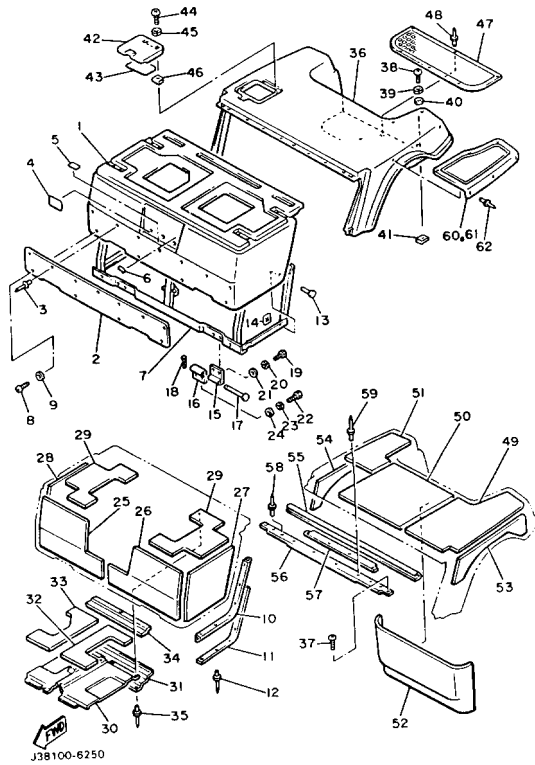
# BODY 2



Ref. No.	Part Number	Description	Qty	Remarks
1	J55-K8141-00-00	PANEL, INTERMEDIATE BODY	1	
2	J38-7814N-00-00	PLATE, ORNAMENT	1	
3	90267-40131-00	RIVET, BLIND	7	
4	J41-77458-10-00	LABEL, WARNING (J41-77458-00-00)	1	
5	J38-77741-10-00	INDICATOR 1	1	
6	J38-77742-00-00	INDICATOR 2	1	
7	J55-K8121-00-00	REINFORCEMENT 1	1	
8	98980-06016-00	SCREW, BINDING	4	
9	90201-06697-00	WASHER, PLATE	4	
10	J38-7814F-00-00	SEAL, BODY SIDE 2	2	
11	J38-7815A-00-00	PLATE, SEAL SUPPORT 1	2	
12	90267-40054-00	RIVET, BLIND	12	
13	90338-06169-00	PLUG	2	
14	90183-06011-00	NUT, SPRING	2	
15	J55-K8143-00-00	HINGE, INTERMEDIATE BODY 1	2	
16	J55-K8144-00-00	HINGE, INTERMEDIATE BODY 2	2	
17	91790-06125-00	PIN, CLEVIS	2	
18	91490-20015-00	PIN, COTTER	2	
19	97003-06012-00	BOLT (97001-06012)		
20	92995-06100-00	WASHER, SPRING	4	
21	92990-06600-00	WASHER, PLATE	4	
22	97003-06020-00	BOLT (97303-06020)	4	
23	92995-06100-00	WASHER, SPRING	4	
24	92990-06600-00	WASHER, PLATE	4	
25	J55-K8251-00-00	PAD, SILENCER 1	1	
26	J55-K8252-00-00	PAD, SILENCER 2	1	
27	J55-K8253-00-00	PAD, SILENCER 3	1	

CONTINUED ON NEXT FRAME ►

# BODY 2

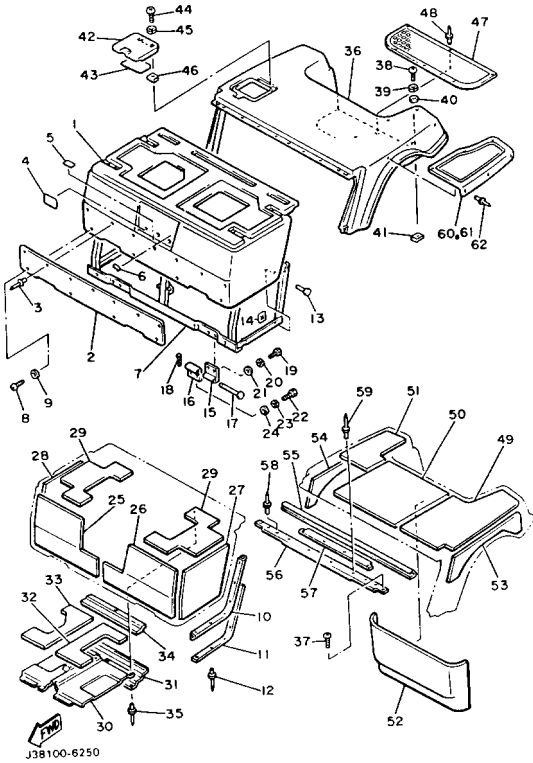


Ref. No.	Part Number	Description	Qty	Remarks
28	J55-K8254-00-00	PAD, SILENCER 4	1	
29	J55-K825K-00-00	PAD, SILENCER 6	2	
30	J55-K8261-00-00	PLATE, BODY PROTECT 1	1	
31	J55-K8262-00-00	PLATE, BODY PROTECT 2	1	
32	J55-K826A-00-00	PAD, BODY PROTECT 1	1	
33	J55-K826E-00-00	PAD, BODY PROTECT 2	1	
34	J55-K826F-00-00	PAD, BODY PROTECT 3	1	
35	90267-40054-00	RIVET, BLIND	10	
36	J55-K8142-00-00	PANEL, REAR BODY	1	
37	98902-06025-00	SCREW, BIND	3	
38	92580-06020-00	SCREW, PAN HEAD	2	
39	92995-06100-00	WASHER, SPRING	2	
40	90201-065F3-00	WASHER, PLATE	2	
41	90183-06028-00	NUT, SPRING	2	
42	J55-K8272-00-00	COVER, FUEL INLET	1	
43	J38-77764-10-00	LABEL, WARNING 4	1	
44	98511-04012-00	SCREW, PAN HEAD	2	
45	92901-04100-00	WASHER, SPRING	2	
46	J55-K8272-00-00	COVER, FUEL INLET	2	
47	J55-K8241-00-00	MAT, REAR FLOOR (J38-78241-00)	1	
48	90267-63047-00	RIVET, BLIND	6	
49	J55-K8255-00-00	PAD, SILENCER 5	1	
50	J38-78256-00-00	PAD, SILENCER 6	1	
51	J55-K8257-00-00	PAD, SILENCER 7	1	
52	J55-K8258-00-00	PAD, SILENCER 8	1	
53	J55-K825L-00-00	PAD, SILENCER 17 (J38-7825L-00)	1	
54	J55-K825J-00-00	PAD, SILENCER 15 (J38-7825J-00)	1	

CONTINUED ON NEXT FRAME ►

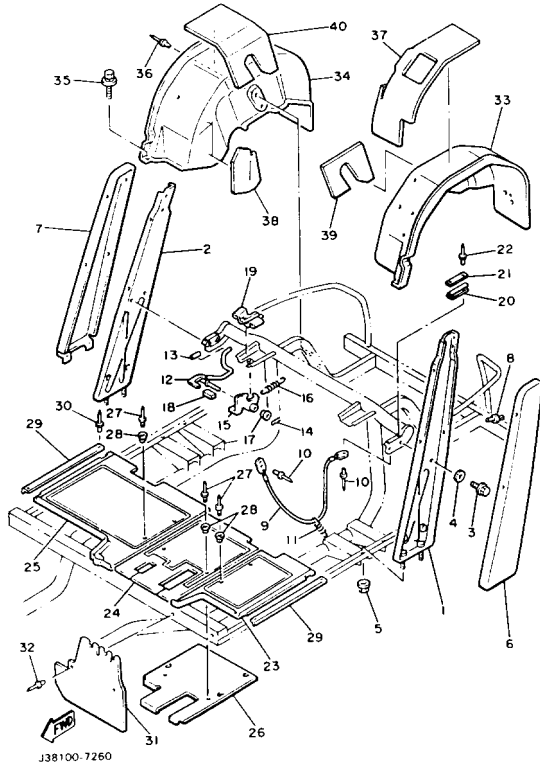


# BODY 2



Ref. No.	Part Number	Description	Qty	Remarks
55	J38-7814A-00-00	SEAL, BODY UPPER	1	
56	J55-K815F-00-00	PLATE, SEAL SUPPORT 3	1	
57	J38-7826G-00-00	PAD, BODY PROTECT 4	1	
58	90267-40077-00	RIVET, BLIND	4	
59	90267-40129-00	RIVET, BLIND	3	
60	J55-K8243-00-00	MAT, REAR BODY SIDE (LH)	1	
61	J55-K8244-00-00	MAT, REAR BODY SIDE (RH)	1	
62	90267-63047-00	RIVET, BLIND	12	

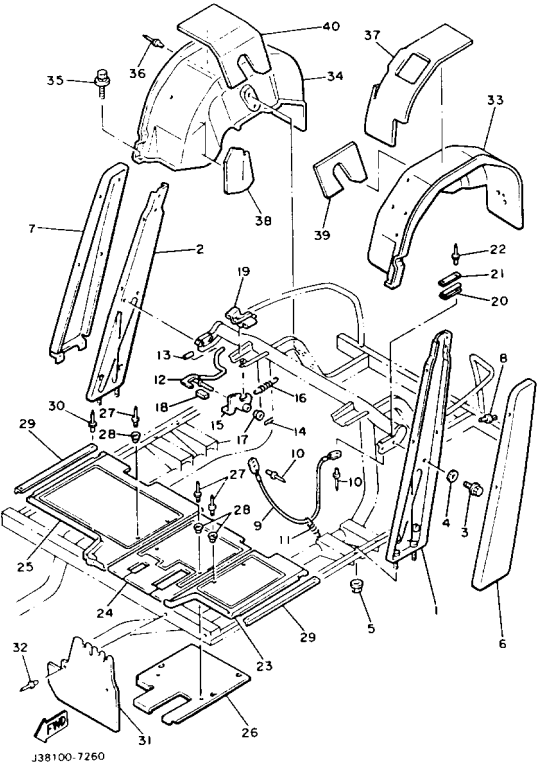
# BODY FITTING



Ref. No.	Part Number	Description	Qty	Remarks
1	J55-K813A-00-00	PILLAR, SIDE (L.H) (J38-7813A-01) .....	1	
2	J55-K813E-00-00	PILLAR, SIDE R (J38-7813E-01)	1	
3	95811-08016-00	BOLT, FLANGE .....	4	
4	90201-08730-00	WASHER, PLATE .....	4	
5	95701-06500-00	NUT, FLANGE .....	4	
6	J55-K813F-00-00	COVER, SIDE PILLAR (L.H) ...	1	
7	J55-K813G-00-00	COVER, SIDE PILLAR (R.H) ...	1	
8	90267-63134-00	RIVET, BLIND .....	8	
9	J39-78229-00-00	WIRE, SEAT STOPPER .....	1	
10	90267-40087-00	RIVET, BLIND .....	2	
11	90507-08037-00	SPRING, TENSION .....	1	
12	J38-7814G-01-00	LEVER, BODY LOCK .....	1	
13	90445-11147-00	HOSE .....	1	
14	90468-18008-00	CLIP .....	1	
15	J3-87814-H0-10	HOOK, body lock .....	1	
16	90506-18374-00	SPRING, TENSION .....	1	
17	J38-7814L-01-00	BUSH, LEVER END .....	2	
18	J38-7815H-00-00	DAMPER, LOCK .....	1	
19	J38-78221-00-00	SHEET, BODY MOUNTING 1 ..	2	
20	J38-7814E-00-00	SEAL, BODY SIDE 1 .....	2	
21	J38-7815E-00-00	PLATE, SEAL SUPPORT 2 ...	2	
22	90267-40054-00	RIVET, BLIND .....	4	
23	J38-78203-00-00	FLOOR MAT COMP. 3 .....	1	
24	J55-K8234-00-00	MAT, MAIN FLOOR 4 .....	1	
25	J38-78205-00-00	FLOOR MAT COMP. 5 .....	1	
26	J55-K8271-00-00	SERVICE LID, PEDAL .....	1	
27	90267-48086-00	RIVET, BLIND .....	6	
28	90387-081R2-00	COLLAR .....	6	

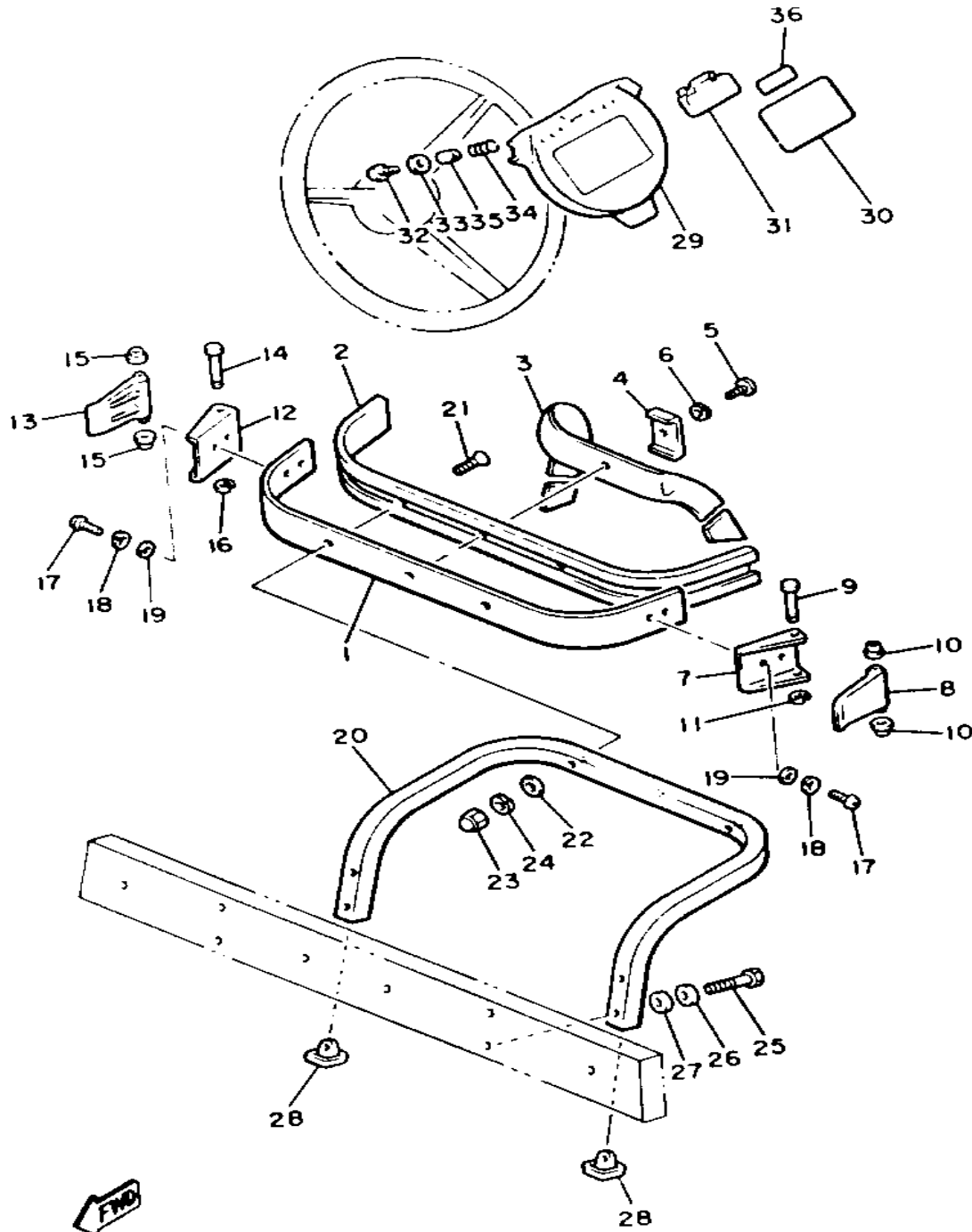
CONTINUED ON NEXT FRAME ►

# BODY FITTING



Ref. No.	Part Number	Description	Qty	Remarks
29	J38-78215-00-00	PLATE, SIDE TRIM .....	2	
30	90267-40115-00	RIVET, BLIND .....	4	
31	J55-K8187-00-00	FLAP, FRONT FENDER (J38-78187-01) .....	2	
32	90267-48101-00	RIVET, BLIND .....	4	
33	J55-K8191-00-00	PANEL, REAR FENDE 1 .....	1	
34	J55-K8192-00-00	PANEL, REAR FENDER 2 .....	1	
35	90119-06108-00	BOLT, WITH WASHER .....	2	
36	90267-48101-00	RIVET, BLIND .....	6	
37	J55-K8259-00-00	PAD, SILENCER 9 (J38-78259-00) .....	1	
38	J55-K825A-00-00	PAD, SILENCER 10 (J38-7825A-00) .....	1	
39	J55-K825F-00-00	PAD, silencer 12 (J38-7825F-00)	1	
40	J55-K825G-00-00	PAD, SILENCER 13 (J38-7825G-00) .....	1	

# CARRIER

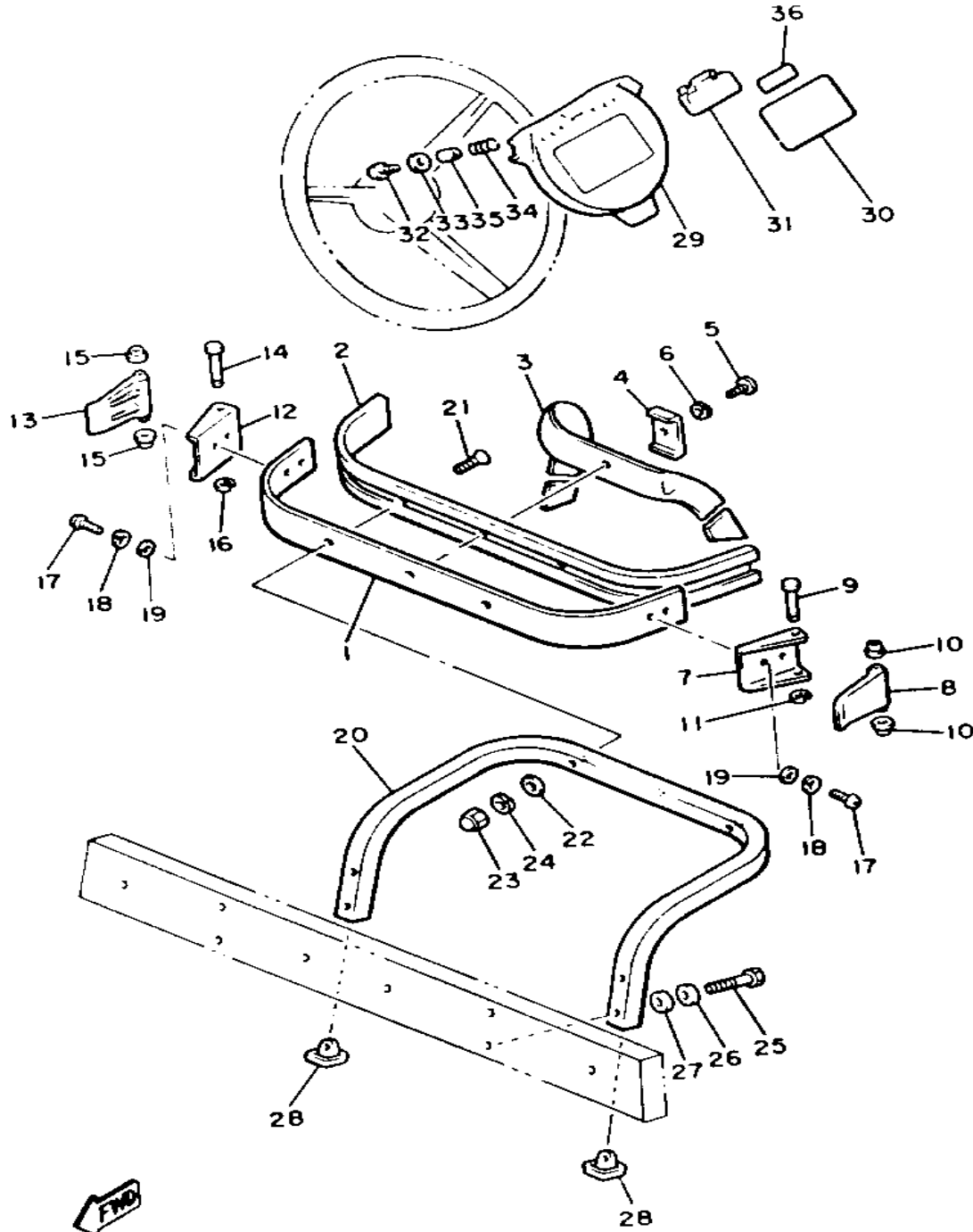


J38100-6270

Ref. No.	Part Number	Description	Qty	Remarks
1	J55-K8351-00-00	SUPPORT, BAG UPPER (J38-78351-00)	1	
2	J38-78356-00-00	PAD, BAG SUPPORT	1	
3	J38-78355-00-00	BAND	1	
4	J38-78367-00-00	PLATE, ANCHOR	1	
5	98980-06016-00	SCREW, BINDING	1	
6	92995-06100-00	WASHER, SPRING	1	
7	J17-78157-01-00	BASE, LOCK	1	
8	J17-78368-01-00	LEVER, LOCK	1	
9	J17-78369-00-00	PIN, LEVER	1	
10	90386-06108-00	BUSH	2	
11	99080-05600-00	CIRCLIP	1	
12	J17-78157-01-00	BASE, LOCK	1	
13	J17-78368-01-00	LEVER, LOCK	1	
14	J17-78369-00-00	PIN, LEVER	1	
15	90386-06108-00	BUSH	2	
16	99080-05600-00	CIRCLIP	1	
17	98580-06010-00	SCREW, PAN HEAD (92503-06010)	4	
18	92995-06100-00	WASHER, SPRING	4	
19	92990-06200-00	WASHER	4	
20	J55-K8352-00-00	SUPPORT, BAG LOWER 1 (J38-78352-01)	1	
21	98701-08040-00	SCREW, FLAT HEAD (92701-08040)	2	
22	90202-08022-00	WASHER, PLATE	2	
23	95380-08800-00	NUT, CROWN	2	
24	92990-08100-00	WASHER	2	
25	90101-08649-00	BOLT	4	
26	90202-08022-00	WASHER, PLATE	4	

CONTINUED ON NEXT FRAME ►

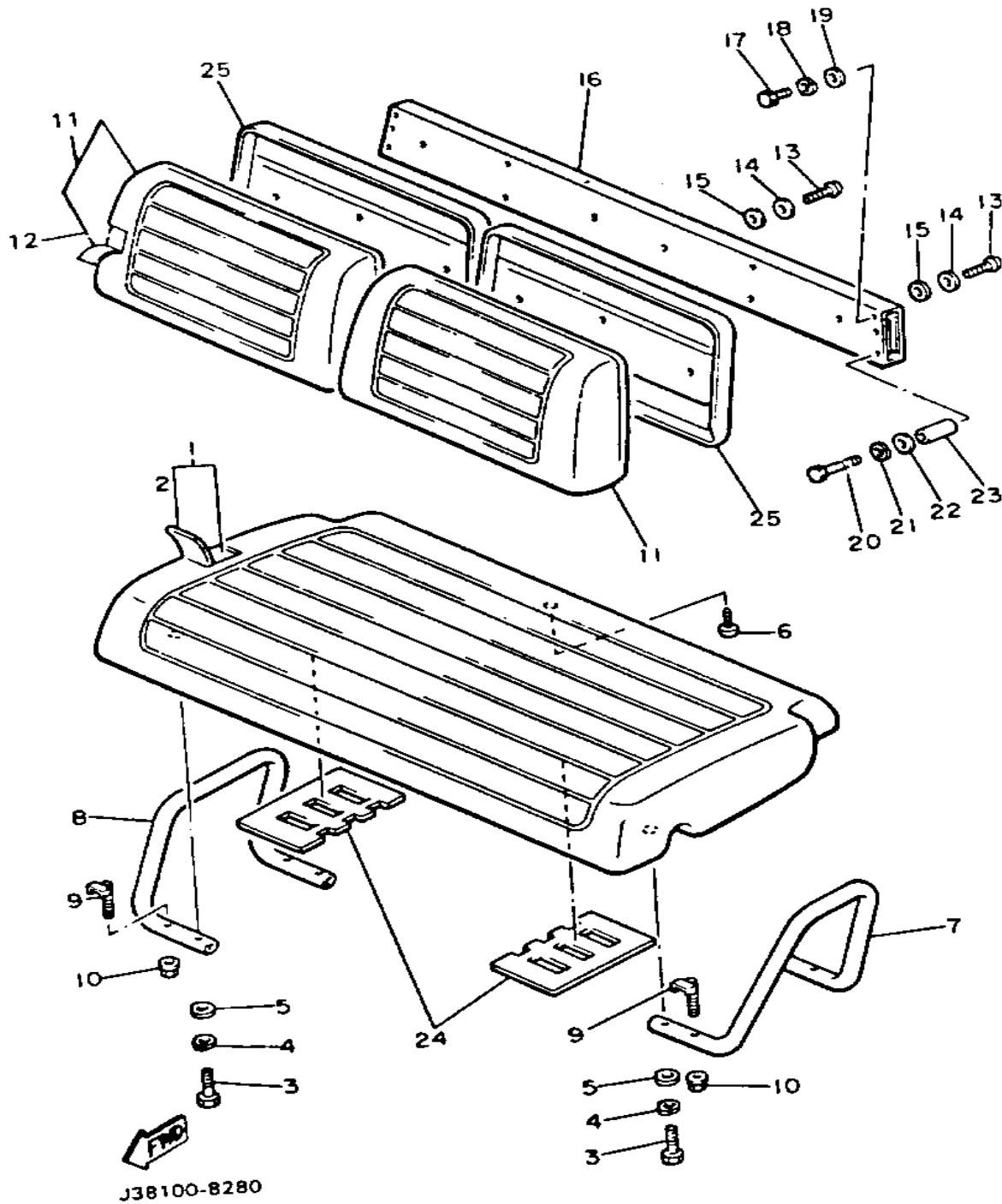
# CARRIER



**FWD**  
J38100-6270

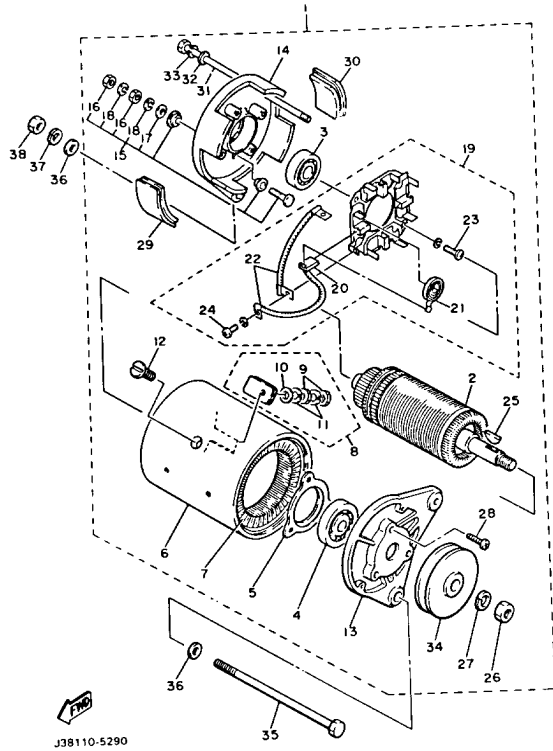
Ref. No.	Part Number	Description	Qty	Remarks
27	90202-08171-00	WASHER, PLATE .....	6	
28	J38-7835H-00-00	CAP, BAG SUPPORT LOWER .	2	
29	J55-K8357-00-00	HOLDER 1 .....	1	
30	J55-77762-10-00	LABEL, WARNING 2 (J38-77762-01) .....	1	
31	J55-K8358-00-00	HOLDER 2 .....	1	
32	97706-40525-00	SCREW, TAPPING .....	2	
33	90201-044H9-00	WASHER, PLAIN .....	2	
34	90502-10013-00	SPRING, CONICAL .....	2	
35	90387-046N7-00	COLLAR .....	2	
36	J38-77763-10-00	LABEL, WARNING 3 .....	1	

# SEAT



Ref. No.	Part Number	Description	Qty	Remarks
1	J55-K8401-00-00	SEAT SUB ASS'Y CUSHION (J38-78401-02)	1	
2	J55-K8404-09-00	. SEAT COVER	1	
3	97021-08065-00	BOLT	4	
4	92990-08100-00	WASHER	4	
5	92990-08600-00	WASHER, PLATE	4	
6	97780-50116-00	SCREW, TAPPING (97780-50516)	1	
7	J38-78361-00-00	ARM REST 1	1	
8	J38-78362-00-00	ARM REST 2	1	
9	J38-78384-00-00	BOLT	4	
10	95601-08200-00	NUT, U	4	
11	J55-K8402-00-00	SEAT SUB ASS'Y, BACK (J38-78402-01)	2	
12	J55-K841G-09-00	. COVER, SEAT BACK 2	2	
13	98980-06045-00	SCREW, BIND	4	
14	90201-065F3-00	WASHER, PLATE	4	
15	90202-06170-00	WASHER, PLATE	4	
16	J55-K8423-09-00	SUPPORT, SEAT BACK (J55-K8423-00)	1	
17	97022-08016-00	BOLT	2	
18	92990-08100-00	WASHER	2	
19	92990-08600-00	WASHER, PLATE	2	
20	97013-08075-00	BOLT	2	
21	92990-08100-00	WASHER	2	
22	92990-08600-00	WASHER, PLATE	2	
23	90387-103G9-00	COLLAR	2	
24	J55-K8419-00-	PAD, seat protector (J38-78419-00)	2	
25	J55-K8413-00-00	COVER, SEAT BACK	2	

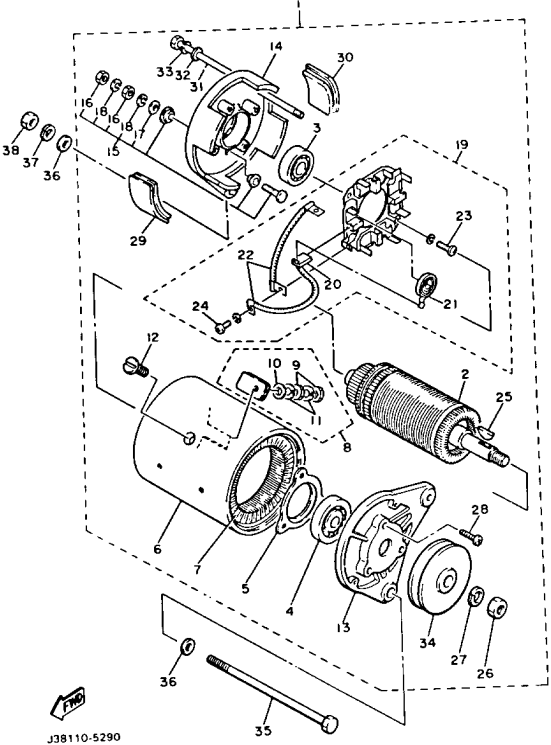
# STARTING MOTOR



Ref. No.	Part Number	Description	Qty	Remarks
1	J38-81100-11-00	STARTER GENERATOR ASSEMBLY (JF2-H1100-00-00)	1	
2	J10-81150-10-00	. ARMATURE ASSEMBLY	1	
3	J10-81157-10-00	. BEARING 1 (6202 SD)	1	
4	J10-81158-10-00	. BEARING 2 (6203 SD)	1	
5	J10-81159-10-00	. HOLDER, BEARING	1	
6	J38-81110-10-00	. STATOR ASSEMBLY	1	
7	J38-81160-10-00	. FIELD COIL ASSEMBLY	1	
8	J10-81148-10-00	. SCREW	2	
9	95380-06600-00	.. NUT	4	
10	92990-06600-00	.. WASHER, PLATE	2	
11	92995-06100-00	.. WASHER, SPRING	4	
12	J10-81146-10-00	. SCREW	4	
13	J38-81165-10-00	. BRACKET, STARTER GENERATOR	1	
14	J10-81166-10-00	. BRACKET, STARTER GENERATOR	1	
15	J10-81147-10-00	. SCREW	2	
16	95380-06600-00	.. NUT	4	
17	92990-06600-00	.. WASHER, PLATE	2	
18	92995-06100-00	.. WASHER, SPRING	4	
19	JF2-81119-00-00	. BRUSH HOLDER ASSEMBLY	1	
20	JF2-81111-00-00	.. BRUSH	4	
21	J38-81113-10-00	.. SPRING, BRUSH	4	
22	J10-81115-10-00	.. WIRE, LEAD	2	
23	98580-05016-00	.. SCREW, PAN HEAD	2	
24	98580-04010-00	.. SCREW, PAN HEAD	4	
25	J38-81163-10-00	. KEY	1	
26	95301-14600-00	. NUT	1	
27	92901-14100-00	. WASHER, SPRING	1	

CONTINUED ON NEXT FRAME ►

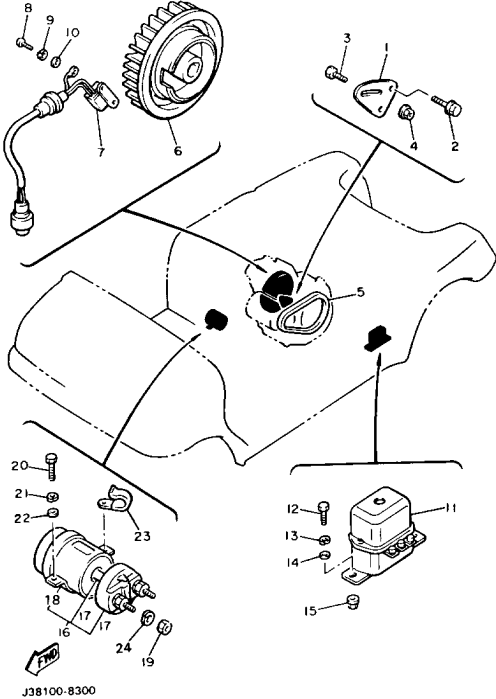
# STARTING MOTOR



Ref. No.	Part Number	Description	Qty	Remarks
28	98501-05018-00	. SCREW, PAN HEAD	3	
29	J10-81129-10-00	. COVER, BRUSH	3	
30	J10-81129-10-00	. COVER, BRUSH	1	
31	J10-81145-10-00	. SCREW	2	
32	92990-06600-00	. WASHER, PLATE	2	
33	92995-06100-00	. WASHER, SPRING	2	
34	J38-81161-10-00	. PULLEY	1	
35	90101-12545-00	BOLT	1	
36	92990-12600-00	WASHER, PLATE	2	
37	92901-12100-00	WASHER, SPRING	1	
38	95303-12600-00	NUT	1	



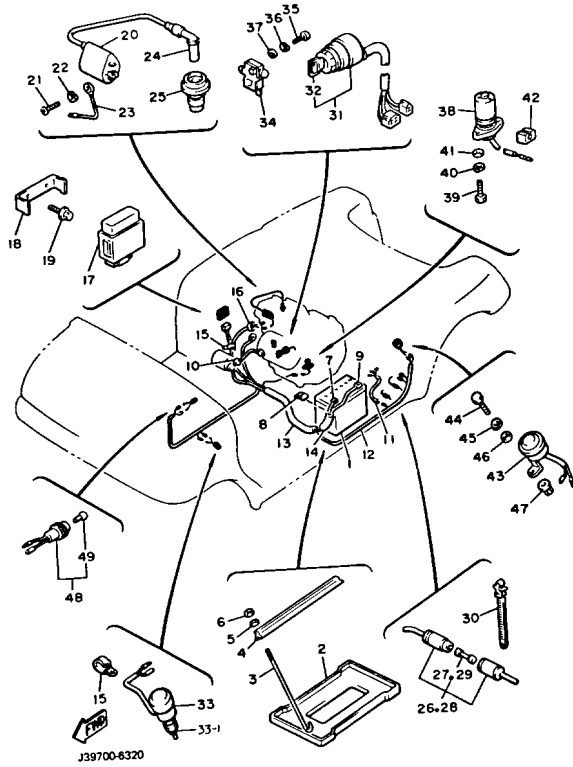
# ELECTRICAL 1



Ref. No.	Part Number	Description	Qty	Remarks
1	J38-81170-00-00	TENSIONER ASSEMBLY	1	
2	95821-08025-00	BOLT, FLANGE	2	
3	90109-087A5-00	BOLT	1	
4	95701-08500-00	NUT, FLANGE	1	
5	J55-H1173-00-00	BELT	1	
6	J38-81350-20-00	ROTOR ASSEMBLY	1	
7	J38-85580-20-00	COIL, PULSER	1	
8	98580-05016-00	SCREW, PAN HEAD	2	
9	92990-05100-00	WASHER, SPRING	2	
10	92901-05600-00	WASHER, PLATE	2	
11	J10-81910-10-00	VOLTAGE REG ASSEMBLY	1	
12	97313-06016-00	BOLT, HEXAGON	2	
13	92995-06100-00	WASHER, SPRING	2	
14	92990-06600-00	WASHER, PLATE	2	
15	95702-06600-00	NUT, FLANGE	2	
16	J38-81950-00-00	RELAY ASS'Y	1	
17	J41-81920-09-00	. G2A/E SLND RBLDKIT	2	
18	J38-8195R-00-00	. RUBBER BOOT	1	
19	95303-08700-00	NUT	2	
20	97011-06020-00	BOLT	2	
21	92995-06100-00	WASHER, SPRING	2	
22	92990-06600-00	WASHER, PLATE	2	
23	90465-08028-00	CLAMP	1	
24	92990-08100-00	WASHER	2	

50~

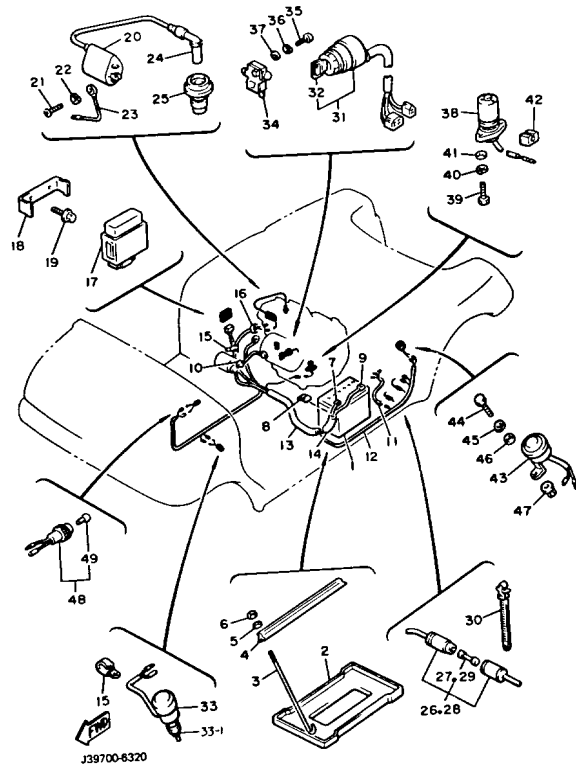
# ELECTRICAL 2



Ref. No.	Part Number	Description	Qty	Remarks
1	UNA-VAILA-BL-EI	0 0 .....		
2	J55-H2122-00-00	SEAT, BATTERY .....	1	
3	J17-82133-00-00	SCREW, FITTING .....	2	
4	J55-H2136-00-00	PLATE, BATTERY .....	1	
5	92990-06200-00	WASHER .....	2	
6	95701-06300-00	NUT, NYLON .....	2	
7	J55-H2115-00-00	WIRE, PLUS LEAD (J38-82115-00) .....	1	
8	861-82361-00-00	CLAMP, CORD .....	1	
9	J55-H2116-00-00	WIRE, MINUS LEAD (J38-82116-00) .....	1	
10	J55-H2117-00-00	WIRE, LEAD .....	1	
11	J38-82105-00-00	WIRE HARNESS .....	1	
12	J38-82590-21-00	WIRE HARNESS ASSEMBLY (J38-82590-20) .....	1	
13	J55-H7196-00-00	TUBE 1 (J38-87196-00) .....	1	
14	J55-H7197-00-00	TUBE 2 (J38-87197-00) .....	1	
15	90465-06038-00	CLAMP .....	2	
16	90464-23041-00	CLAMP .....	1	
17	J38-82305-20-00	IGNITOR UNIT ASSEMBLY 1 ..	1	
18	J38-8553A-00-00	STAY UNIT .....	1	
19	95801-06010-00	BOLT, flange .....	2	
20	J38-82310-20-00	IGNITION COIL ASSEMBLY ...	1	
21	98501-05020-00	SCREW, PAN HEAD .....	2	
22	92990-05100-00	WASHER, SPRING .....	2	
23	J38-82318-00-00	WIRE, SUB-LEAD .....	1	
24	8K1-82370-20-00	PLUG CAP ASSEMBLY (WITH RESISTOR) .....	1	
25	J38-82372-00-00	SEAL, plug cap .....	1	
26	1E6-82150-00-00	FUSE HOLDER ASSEMBLY ...	1	

CONTINUED ON NEXT FRAME ►

# ELECTRICAL 2



Ref. No.	Part Number	Description	Qty	Remarks
27	1E6-82151-00-00	. FUSE (10A) .....	2	
28	1E6-82150-00-00	FUSE HOLDER ASSEMBLY ...	1	
29	1E6-82151-00-00	. FUSE (10A) .....	2	
30	90464-12036-00	CLAMP .....	2	
31	J55-82510-00-00	MAIN SWITCH ASSEMBLY ...	1	
32	J17-82511-20-00	. KEY, MAIN SWITCH .....	2	
33	J41-82550-00-00	STOP SWITCH ASSEMBLY ...	1	
34	J38-82617-00-00	SWITCH .....	1	
35	98511-04025-00	SCREW, PAN HEAD .....	1	
36	92901-04100-00	WASHER, SPRING .....	1	
37	92901-04600-00	WASHER, PLATE .....	1	
38	JH2-85720-00-00	OIL LEVEL GAUGE ASSEMBLY (JF2-85720-00-00) .....	1	
39	97023-06020-00	BOLT (3XF) .....	2	
40	92995-06100-00	WASHER, SPRING .....	2	
41	92990-06600-00	WASHER, PLATE .....	2	
42	J38-82598-00-00	GROMMET .....	1	
43	J10-83383-02-00	BUZZER .....	1	
44	97313-06016-00	BOLT, HEXAGON .....	1	
45	92995-06100-00	WASHER, SPRING .....	1	
46	92990-06600-00	WASHER, PLATE .....	1	
47	95702-06600-00	NUT, FLANGE .....	1	
48	70R-83530-00-00	PILOT LIGHT ASSEMBLY ....	1	
49	123-83516-21-00	. BULB (12V-3.4W) .....	1	
7-1	90108-06420-00	BOLT, BATTERY CABLE .....	1	
7-2	92801-06000-00	NUT, BATTERY CABLE .....	1	
9-1	90108-06420-00	BOLT, BATTERY CABLE .....	1	
9-2	92801-06000-00	NUT, BATTERY CABLE .....	1	
33-1	JF2-82532-00-00	. CAP, RUBBER .....	1	

# TECHNICAL BULLETIN

GOLF CAR      DATE: 9/21/89      No. G89-007

## G2-A SECONDARY SHEAVE SPRING SEAT SPACER

### INTRODUCTION

**PROBLEM:** Poor acceleration and/or decreased hill climbing ability on some high mileage cars or cars used in hilly areas. The performance may eventually deteriorate to the point that the car will not move.

**CAUSE:** The secondary sheave spring seat circlip and circlip groove on the transmission

input shaft has wear allowing the spring seat to move. This causes the sheaves to spread and the clutch to function improperly.

**REMEDY:** Replace the spring seat circlip with the new spacer.

### DEALER ACTION SUMMARY

**MODIFY:** Any units in affected range with this problem

**PARTS REQUIRED:** Yes

**WARRANTY:** Normal Warranty Applies

### AFFECTED UNITS

G2A J38-007101 ~ 019999  
066101 ~ 070999  
G2AB J38-020101 ~ 049999  
071101 ~ 089999

G2AC JA2-000001 ~ 099999  
G2AD J55-000101 ~ 029999  
G2AF J55-100101 ~ 104600

### SERVICE PROCEDURE

1. Follow service manual instructions to remove the rear body and the secondary clutch fixed sheave.

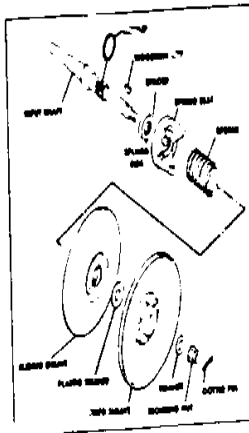
2. Remove the plastic washer, woodruff key, sliding sheave, and spring seat. Remove the circlip. Tag the circlip with a Warranty Parts tag and hold for 90 days from the date the Warranty Request is submitted. The circlip is not used with the new spacer.

3. Install the new secondary sheave spring seat spacer on the input shaft with the inside splined side of the spacer towards the spring seat. DO NOT REINSTALL THE CIRCLIP.

4. Reinstall the secondary spring seat and reassemble the secondary sheave assembly according to the service manual procedures. Use a new cotter pin.

**NOTE:** Pay special attention to the service manual procedures for installing the spring and sliding sheave. Correct installation of these parts is essential for proper vehicle performance.

5. Test drive. Reinstall the rear body.



### PARTS INFORMATION

Part Number	Description	Dealer Cost
J55-46322-09-00	Spacer, Input shaft	\$11.25
91401-25025-00	Cotter Pin	.25

### WARRANTY INFORMATION

Submit a normal warranty request. The warranty labor allowance for this repair is 0.3 hours. The Job Code is 7101.

The Problem Code is 19. Fill in the circled information and include the other information as illustrated.

**YAMAHA Warranty Request Worksheet**

19

35546220900

91401-25025-00

Per bulletin G99-007

Per bulletin G99-007

Per bulletin G99-007

PAGE 2 OF 2

ROUTE TO:

SERVICE

PARTS

WARRANTY

SALES

PAGE 1 OF 2