



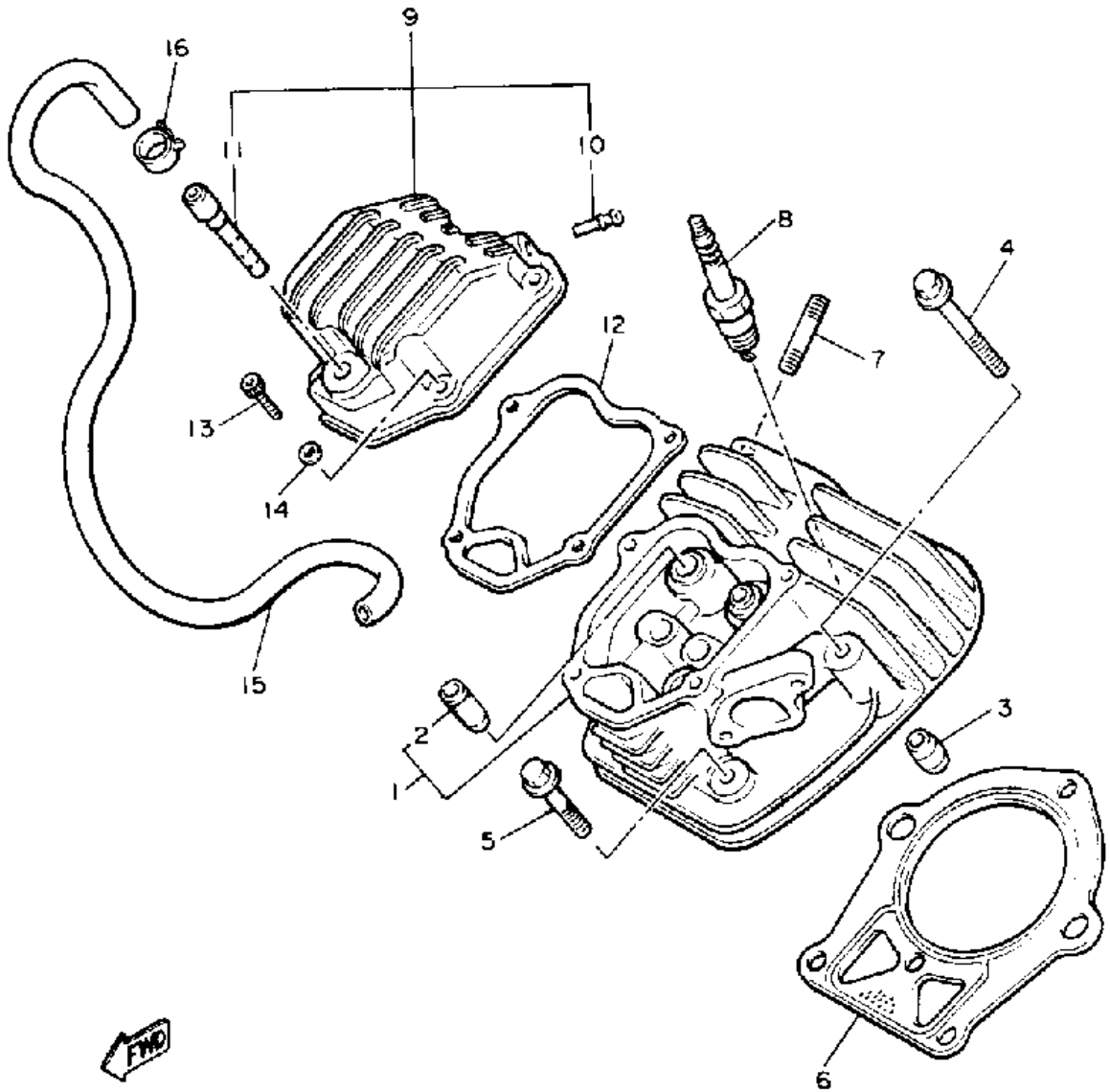
YAMAHA

GENUINE

PARTS CATALOGUE

GOLF CAR

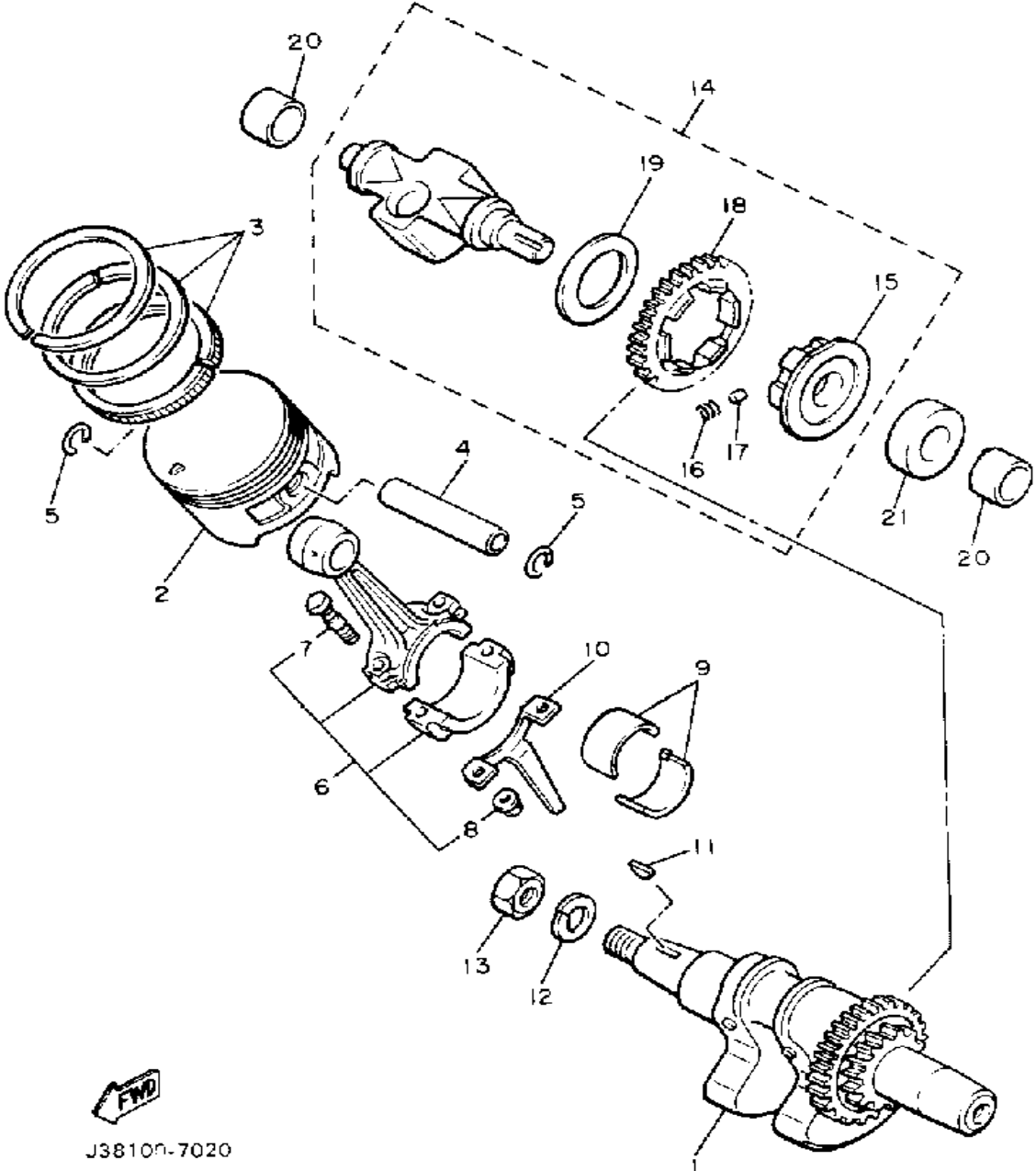
CYLINDER



J50100-9010

Ref. No.	Part Number	Description	Qty	Remarks
1	J38-11102-00-00	CYLINDER HEAD ASSEMBLY	1	
2	J38-11133-09-00	. GUIDE, INTAKE VALVE	2	
3	99510-12016-00	PIN, DOWEL	2	
4	95811-08070-00	BOLT, FLANGE	3	
5	95811-08045-00	BOLT, FLANGE (JN5)	3	
6	J38-11181-00-00	GASKET, CYLINDER HEAD 1	1	
7	95612-08618-00	BOLT, STUD	2	
8	NGK-B4ES0-00-00	NGK B4ES 10PK	1	
9	J38-11191-00-00	COVER, CYLINDER HEAD 1	1	
10	J38-11116-00-00	. JOINT, BREATHER	2	
11	J38-24461-00-00	. PIPE, JOINT	1	
12	J38-11193-01-00	GASKET, HEAD COVER 1	1	
13	91316-06025-00	BOLT	4	
14	92990-06600-00	WASHER, PLATE	4	
15	90445-130F8-00	HOSE	1	
16	90467-12052-00	CLIP	2	

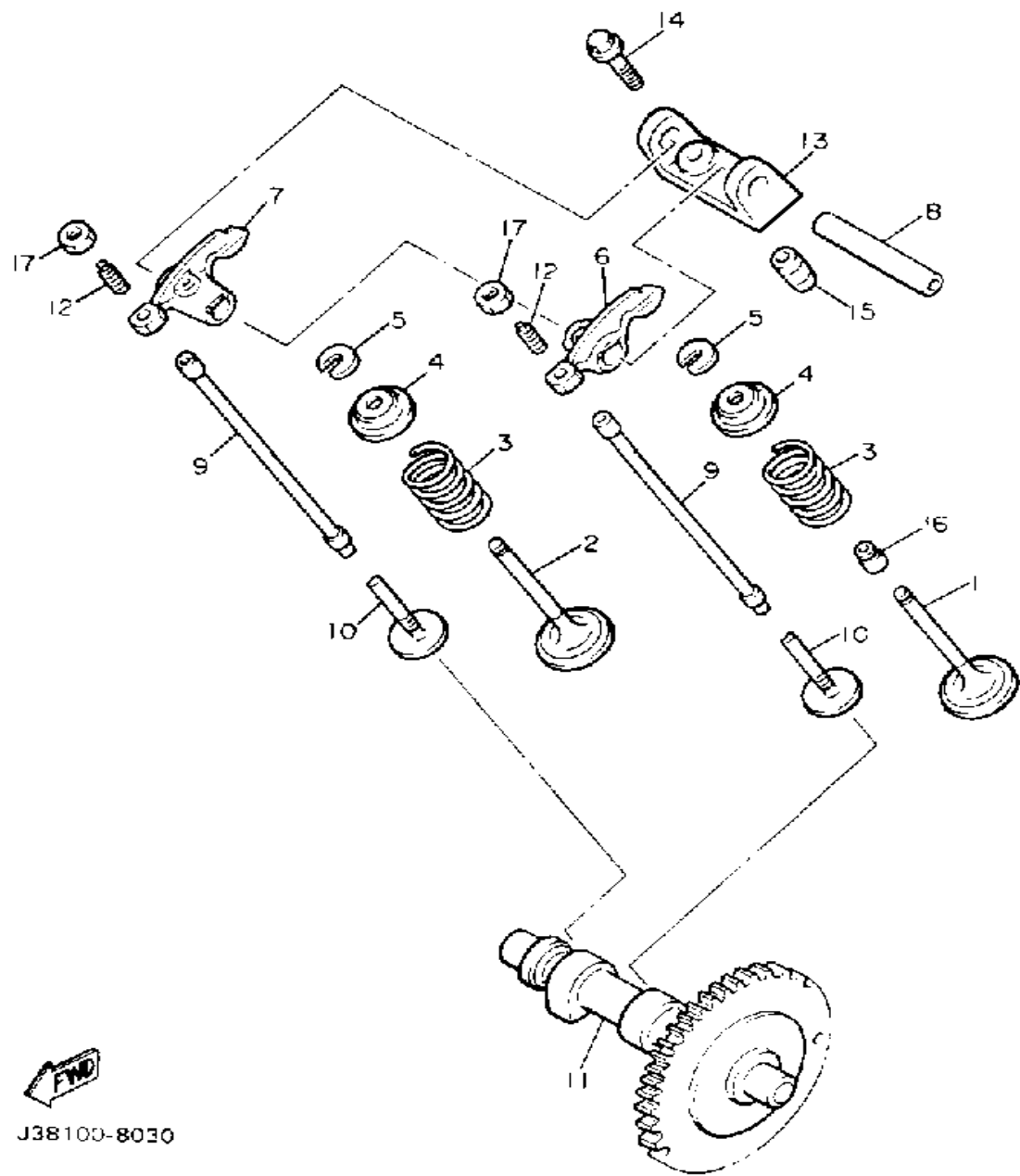
CRANKSHAFT - PISTON



J38100-7020

Ref. No.	Part Number	Description	Qty	Remarks
1	J38-11400-00-00	CRANKSHAFT ASSEMBLY ...	1	
2	J38-11631-01-A0	PISTON (STD)	1	
	J38-11635-01-00	PISTON (0.25MM O/S)	1	AP
	J38-11636-01-00	PISTON (0.50MM O/S)	1	AP
3	J38-11610-00-00	PISTON RING SET (STD)	1	
	J38-11610-10-00	PISTON RING SET (0.25MM O/S)	1	AP
	J38-11610-20-00	PISTON RING SET (0.50MM O/S)	1	AP
4	7A9-11633-00-00	PIN, PISTON	1	
5	93450-19047-00	CIRCLIP	2	
6	J38-11650-00-00	CONNECTING ROD ASSEMBLY	1	
7	J38-11654-00-00	. BOLT, CONNECTING ROD ..	2	
8	90179-08327-00	. NUT	2	
9	J38-11656-00-00	BEARING, CON-ROD	2	UR (BRN)
	J38-11656-10-00	BEARING, CON-ROD	2	UR (BLK)
	J38-11656-20-00	BEARING, CON-ROD	2	UR (BLUE)
10	J38-11657-00-00	SPLASHER, OIL	1	
11	90280-16053-00	KEY, WOODRUFF	1	
12	92901-16100-00	WASHER, SPRING	1	
13	90170-16182-00	NUT	1	
14	J38-11500-00-00	BALANCER ASSEMBLY	1	
15	J38-11496-00-00	. BOSS, BUFFER	1	
16	90501-21133-00	. SPRING, COMPRESSION	6	
17	93605-10090-00	. PIN, DOWEL	3	
18	J38-11531-00-00	. GEAR, BALANCE WT	1	
19	90201-201G9-00	. WASHER, PLATE	1	
20	90387-155R3-00	COLLAR	2	
21	90387-152M7-00	COLLAR	1	

CAMSHAFT - VALVE

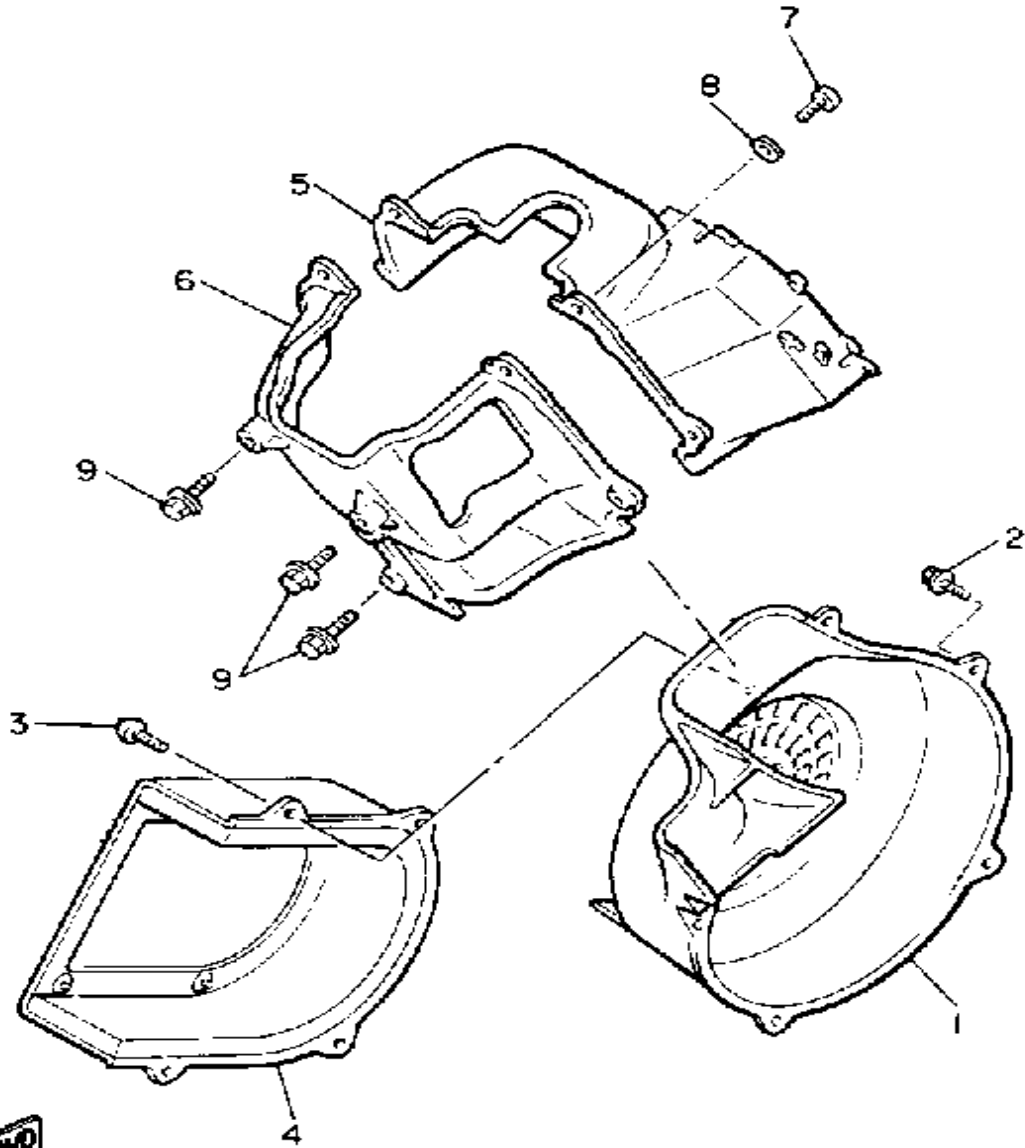


Ref. No.	Part Number	Description	Qty	Remarks
1	J38-12111-01-00	VALVE, INTAKE	1	
2	J38-12121-01-00	VALVE, EXHAUST	1	
3	90501-264A9-00	SPRING, COMPRESSION	2	
4	J38-12117-01-00	RETAINER, VALVE SPRING ..	2	
5	J38-12118-00-00	COTTER, VALVE	2	
6	J38-12151-01-00	ARM, VALVE ROCKER	1	
7	J38-12161-01-00	ARM, VALVE ROCKER 2	1	
8	J38-12156-00-00	SHAFT, ROCKER 2	1	
9	J38-12154-00-00	ROD, VALVE PUSH	2	
10	J38-12153-00-00	LIFTER, VALVE	2	
11	J38-12171-00-00	CAMSHAFT 1	1	
12	J38-12159-00-00	SCREW, VALVE ADJUSTING ..	2	
13	J38-12152-00-00	SUPPORT, ROCKER ARM	1	
14	95811-06030-00	BOLT, FLANGE	2	
15	91810-09014-00	PIN, DOWEL	2	
16	5H0-12119-00-00	SEAL, VALVE STEM	1	
17	90170-06128-00	NUT	2	



J38100-8030

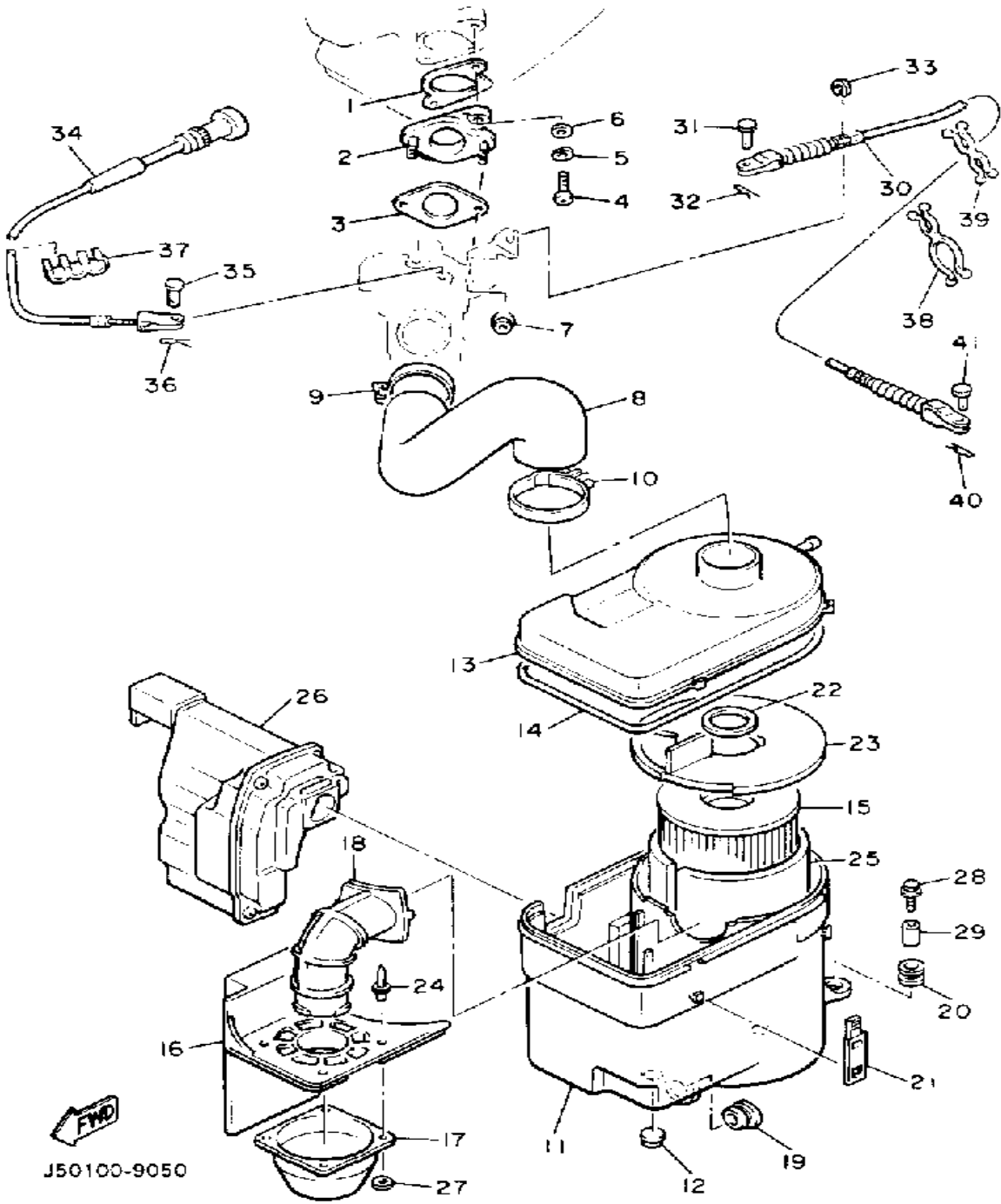
AIR SHROUD - FAN



J50100-9040

Ref. No.	Part Number	Description	Qty	Remarks
1	J38-12621-01-00	CASE, FAN	1	
2	95811-06020-00	BOLT, FLANGE	5	
3	97780-60116-00	SCREW, TAPPING	4	
4	J38-12640-00-00	FAN CASE COVER COMP. ...	1	
5	J38-12651-01-00	AIR SHROUD, CYLINDER 1 ...	1	
6	J38-12652-00-00	AIR SHROUD, CYLINDER 2 ...	1	
7	98503-06014-00	SCREW, PAN HEAD (92502-06016)	4	
8	92990-06600-00	WASHER, PLATE	4	
9	90109-06513-00	BOLT	4	

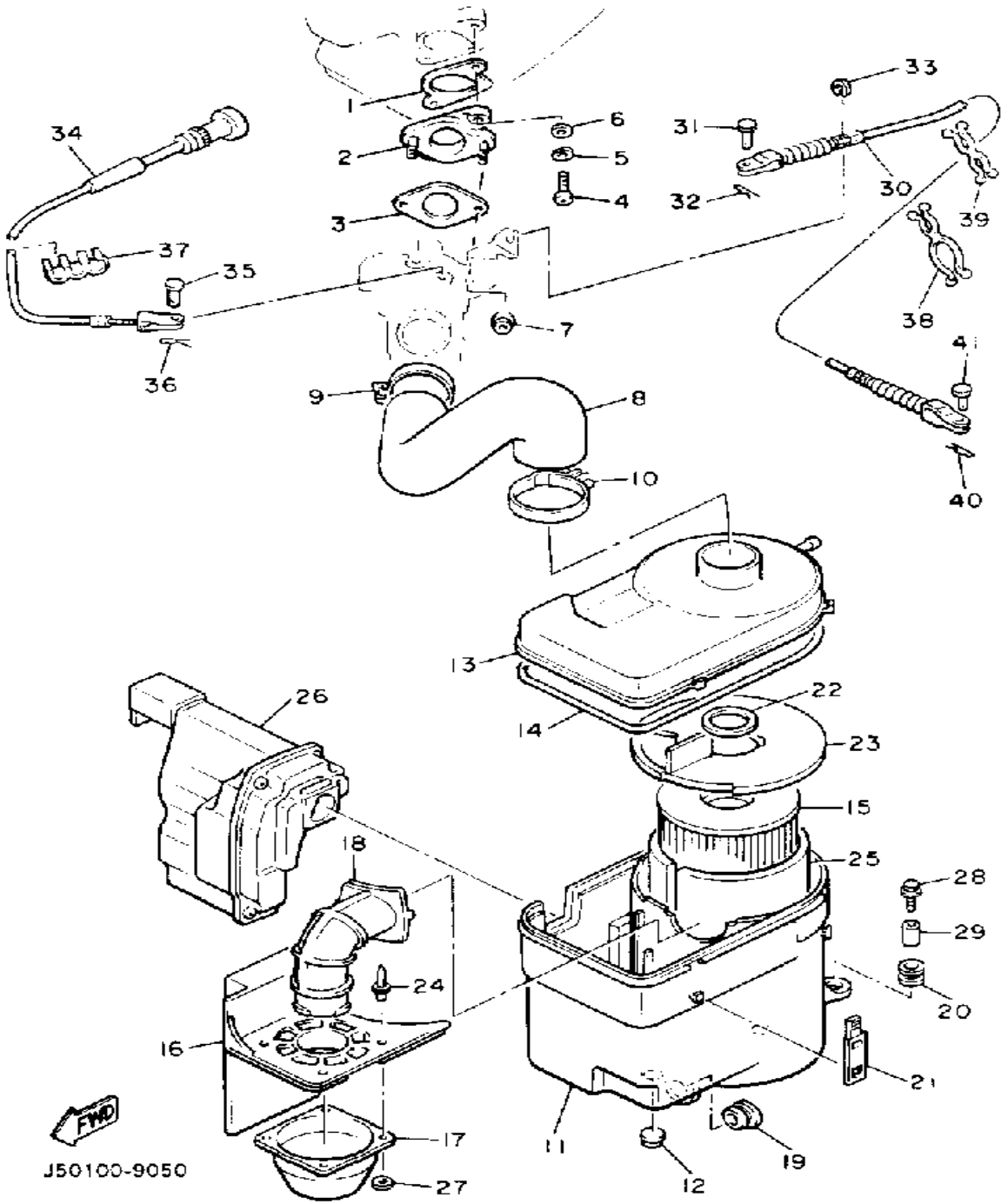
AIR FILTER



Ref. No.	Part Number	Description	Qty	Remarks
1	J38-13556-00-00	GASKET, MANIFOLD	1	
2	J38-13596-00-00	JOINT, CARBURETOR 2	1	
3	J38-13557-00-00	GASKET	1	
4	98580-06030-00	SCREW PAN HEAD	2	
5	92995-06100-00	WASHER, SPRING	2	
6	92990-06600-00	WASHER, PLATE	2	
7	95601-06200-00	NUT, U FLANGE	2	
8	J38-14453-01-00	JOINT, AIR CLEANER 1	1	
9	90460-43279-00	CLAMP, HOSE	1	
10	90460-53239-00	CLAMP, HOSE	1	
11	J38-14411-01-00	CASE, AIR CLEANER 1	1	
12	90480-14100-00	GROMMET	2	
13	J38-14412-02-00	CAP, CLEANER CASE 1	1	
14	55K-14476-00-00	SEAL	1	
15	J38-14450-00-00	ELEMENT ASSEMBLY, AIR CLEANER	1	
16	J38-14484-00-00	PLATE, CLEANER CASE FITTING	1	
17	J38-14479-00-00	FUNNEL	1	
18	J38-14419-00-00	PIPE	1	
19	90480-18277-00	GROMMET	1	
20	90480-13238-00	GROMMET	2	
21	J10-14436-00-00	HOOK	4	
22	J38-14416-00-00	GASKET, AIR CLEANER	1	
23	J38-1441F-00-00	PARTN, AIR CLNR CSAIR CLEANER CASE	1	
24	90267-40073-00	RIVET, BLIND	4	
25	J10-14417-00-00	COVER 1	1	
26	J38-1446A-01-00	SURGE TANK ASSEMBLY	1	
27	92990-04200-00	WASHER, PLAIN	4	

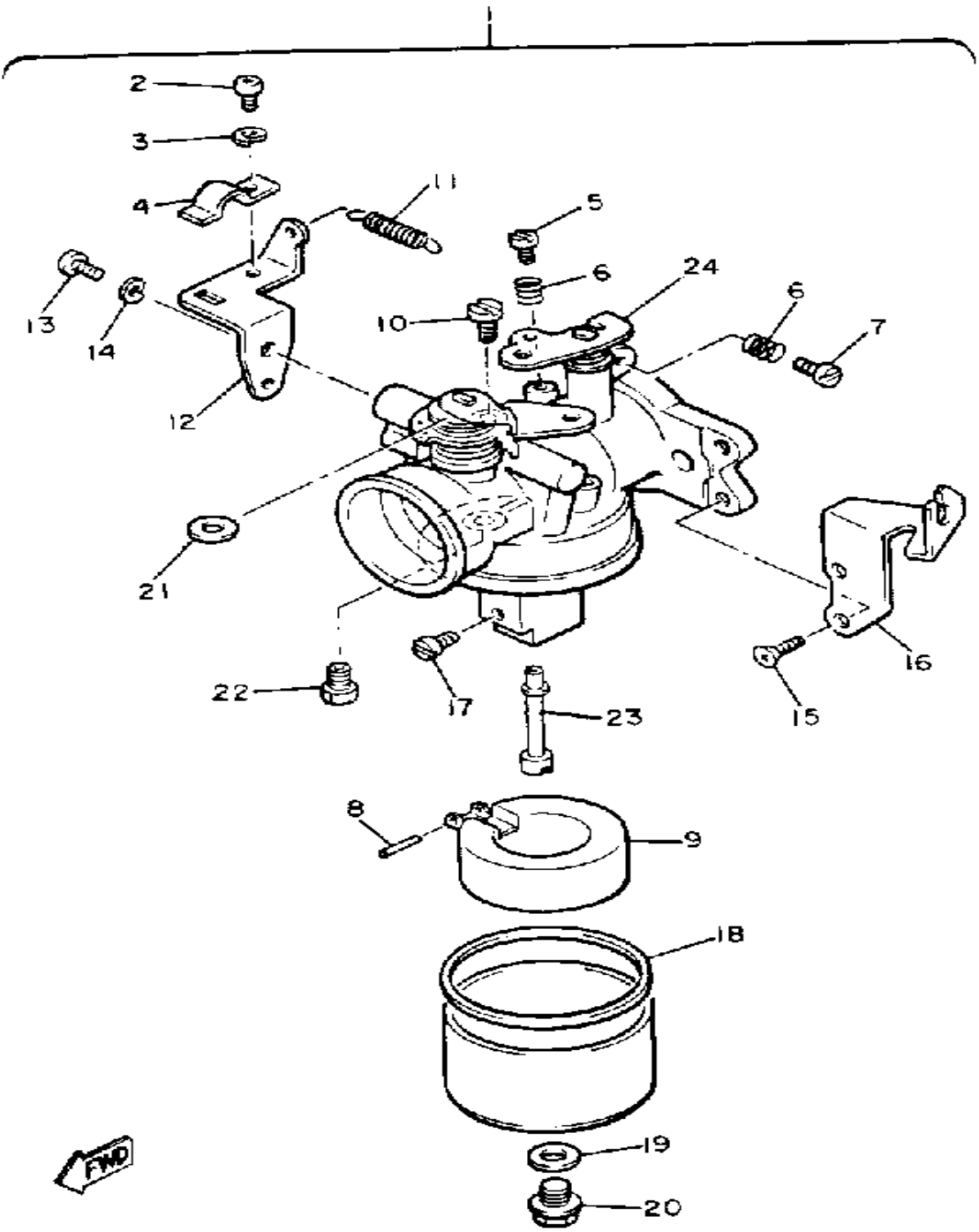
CONTINUED ON NEXT FRAME ►

AIR FILTER



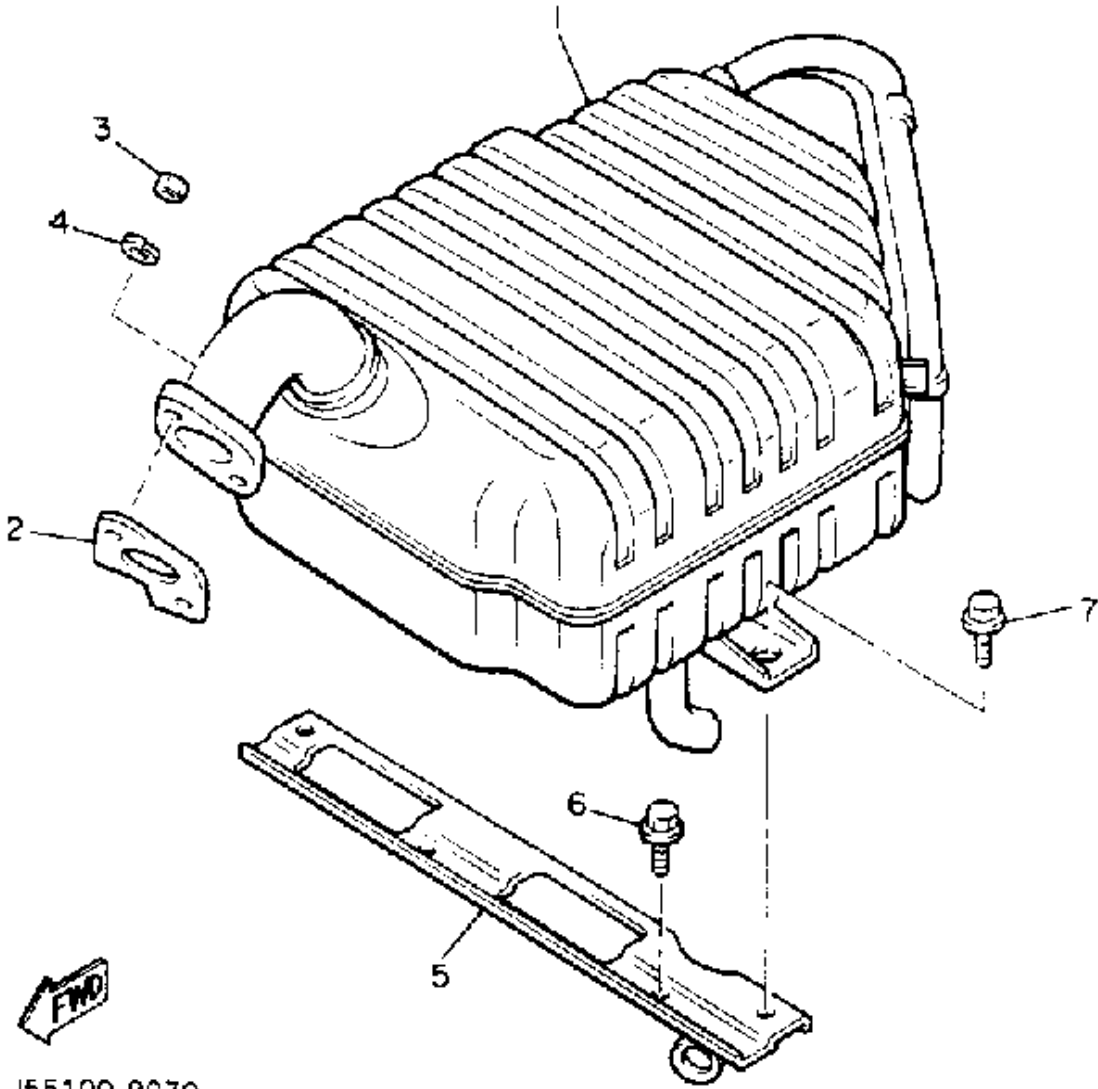
Ref. No.	Part Number	Description	Qty	Remarks
28	90119-06097-00	BOLT, WITH WASHER	2	
29	90387-07390-00	COLLAR	2	
30	J38-26312-00-00	CABLE, THROTTLE 2	1	
31	91701-05010-00	PIN, CYLINDER. HEAD	1	
32	90468-10050-00	CLIP	1	
33	99080-07600-00	CIRCLIP (E)	1	
34	J50-F6331-00-00	CABLE, STARTER 1	1	
35	91701-05010-00	PIN, CYLINDER. HEAD	1	
36	90468-10050-00	CLIP	1	
37	90468-07179-00	CLIP	1	
38	90464-26114-00	CLAMP	1	
39	90464-16115-00	CLAMP	2	
40	90468-10050-00	CLIP	1	
41	91701-05010-00	PIN, CYLINDER. HEAD	1	

CARBURETOR



Ref. No.	Part Number	Description	Qty	Remarks
1	J50-14101-00-00	CARBURETOR ASSEMBLY 1	1	
2	98580-05010-00	. SCREW, PAN HEAD		
	UNA-VAILA-BL-EI 00			
3	92990-05100-00	. WASHER, SPRING	1	
4	J38-14243-00-00	. PLATE	1	
5	75G-14211-00-00	. SCREW, PILOT ADJUSTING	1	
6	620-14212-00-00	. SPRING, PILOT ADJUSTING	2	
7	J10-14122-00-00	. SCREW, THROTTLE	1	
8	J38-14186-00-00	. PIN, FLOAT	1	
9	J38-14185-00-00	. FLOAT	1	
10	620-14142-67-00	. JET, PILOT (#67.5)	1	AP FOR HIGH LANDS
	620-14142-72-00	. JET, PILOT (#72.5)	1	UR STD
11	J38-14133-00-00	. SPRING, THROTTLE STOP	1	
12	J38-14581-00-00	. BRACKET	1	
13	98580-06010-00	. SCREW, PAN HEAD (92503-06010)	1	
14	92995-06100-00	. WASHER, SPRING	1	
15	98701-05008-00	. SCREW, FLAT HEAD	2	
16	J38-14291-00-00	. BRACKET 1	1	
17	3G2-1423E-41-00	. JET, MAIN (#103.8)	1	AP FOR HIGH LANDS
	3G2-1423E-42-00	. JET, MAIN (#106.3)	1	UR STD
18	796-14184-00-00	. GASKET, FLOAT CHAMBER	1	
19	127-14198-00-00	. GASKET	1	
20	7R1-14162-00-00	. BOLT, HOLDING	1	
21	J10-14597-00-00	. WASHER	1	
22	J38-14150-00-00	. NEEDLE ASSEMBLY	1	
23	J38-14141-00-00	. NOZZLE, MAIN	1	
24	J10-14131-00-00	SPRING, THROTTLE	1	
	J38-14202-09-00	. THROTTLE LEVER COMP	1	

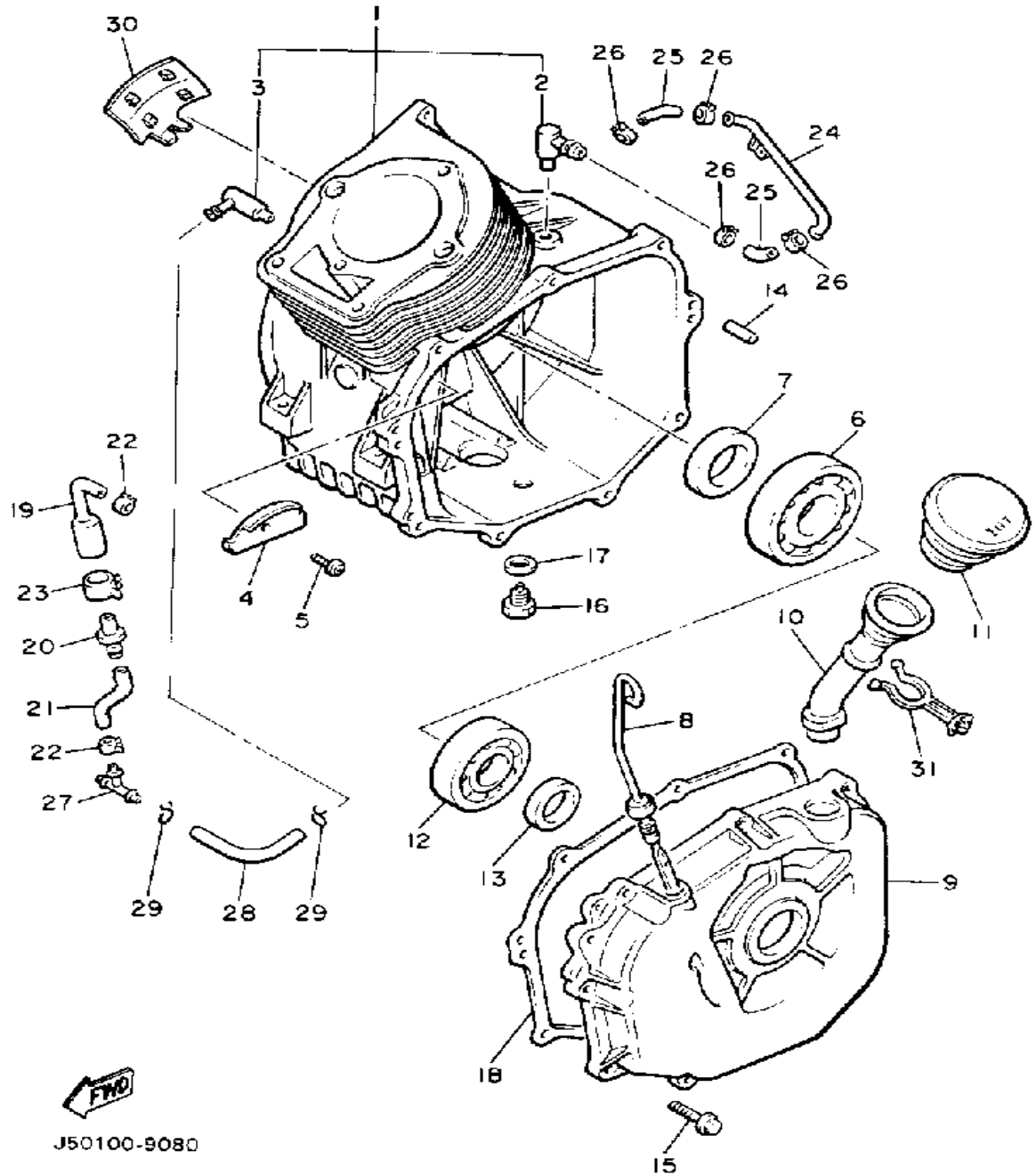
EXHAUST



J55100-9070

Ref. No.	Part Number	Description	Qty	Remarks
1	J55-E4710-01-00	MUFFLER ASSEMBLY 1	1	
2	J38-14613-01-00	GASKET, EXHAUST PIPE	1	
3	95380-08600-00	NUT	2	
4	92990-08100-00	WASHER	2	
5	J38-14771-00-00	STAY, MUFFLER 1	1	
6	95026-10020-00	BOLT, FLANGE	2	
7	90119-08119-00	BOLT, WITH WASHER	2	

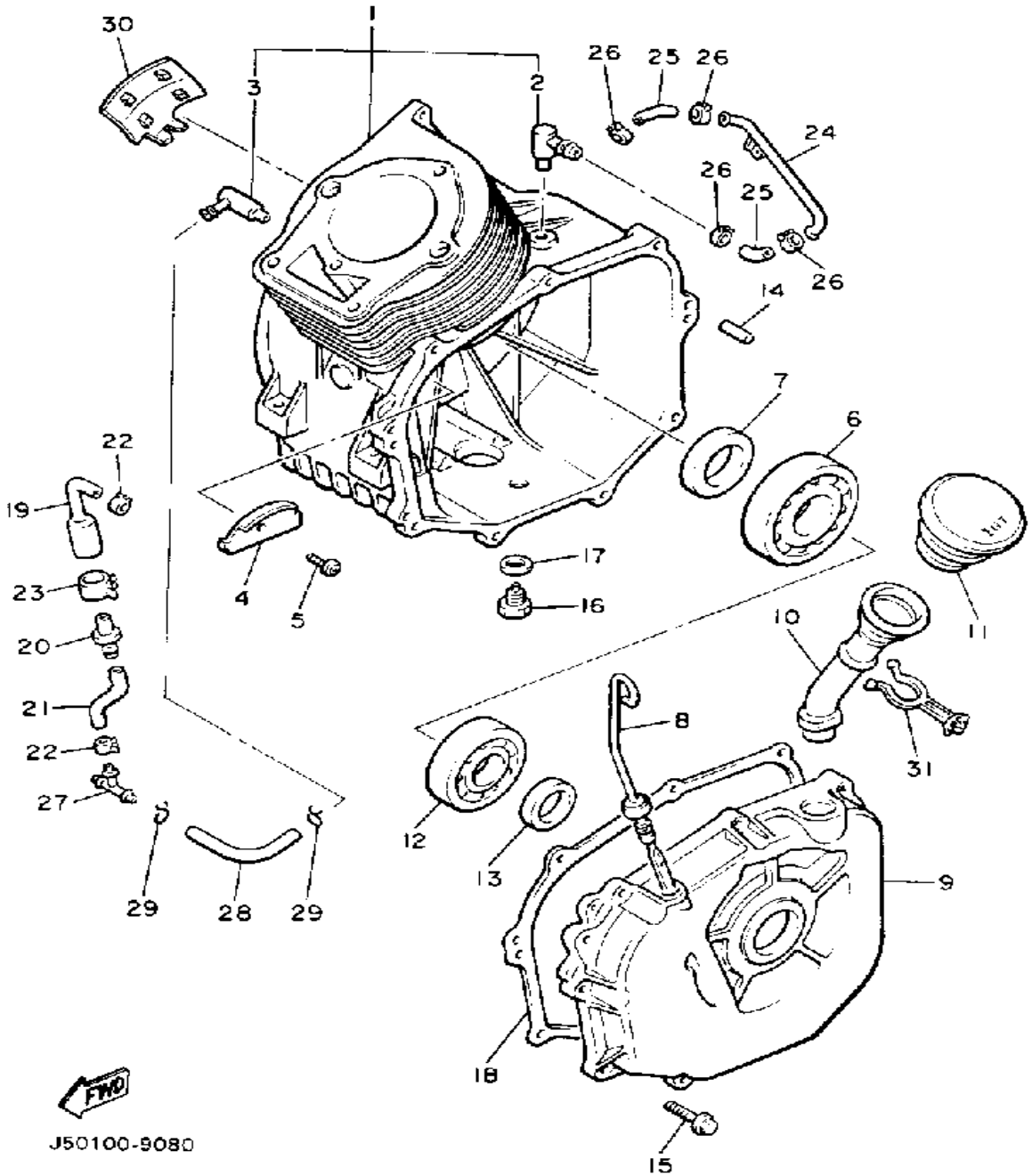
CRANKCASE



Ref. No.	Part Number	Description	Qty	Remarks
1	J38-15100-02-00	CRANKCASE ASSEMBLY	1	
2	J38-15148-00-00	. NOZZLE 2	1	
3	J38-15155-00-00	. NOZZLE 3	1	
4	J38-15123-00-00	PLATE, BUFFLE 1	1	
5	90159-05117-00	SCREW, w/washer	1	
6	93306-30709-00	BEARING	1	
7	93102-35191-00	OIL SEAL	1	
8	J38-15361-00-00	GAUGE, LEVEL	1	
9	J38-15411-01-00	COVER, CRANKCASE 1	1	
10	J38-15112-00-00	PIPE, OIL	1	
11	J38-15363-00-00	PLUG, OIL	1	
12	93306-30630-00	BEARING	1	
13	93102-30195-00	OIL SEAL	1	
14	93608-12063-00	PIN, DOWEL	2	
15	95811-08035-00	BOLT, FLANGE (95821-08035)	9	
16	90340-12097-00	PLUG, STRAIGHT SCREW	1	
17	812-11198-00-00	GASKET	1	
18	J38-15451-00-00	GASKET, CRCS COVERCRANKCASE COVER 1	1	
19	J38-14388-00-00	VALVE, VACUUM CONTROL	1	
20	J38-13115-00-00	CONNECTOR, SUCTION PIPE	1	
21	90445-113E4-00	HOSE	1	
22	90467-10008-00	CLIP	2	
23	90468-08104-00	CLIP	1	
24	J38-13161-00-00	PIPE, DELIVERY 1	1	
25	90445-110E6-00	HOSE	2	
26	90467-10008-00	CLIP	4	
27	807-24376-00-00	PIPE, JOINT 1	1	
28	90445-09073-00	HOSE	1	

CONTINUED ON NEXT FRAME ►

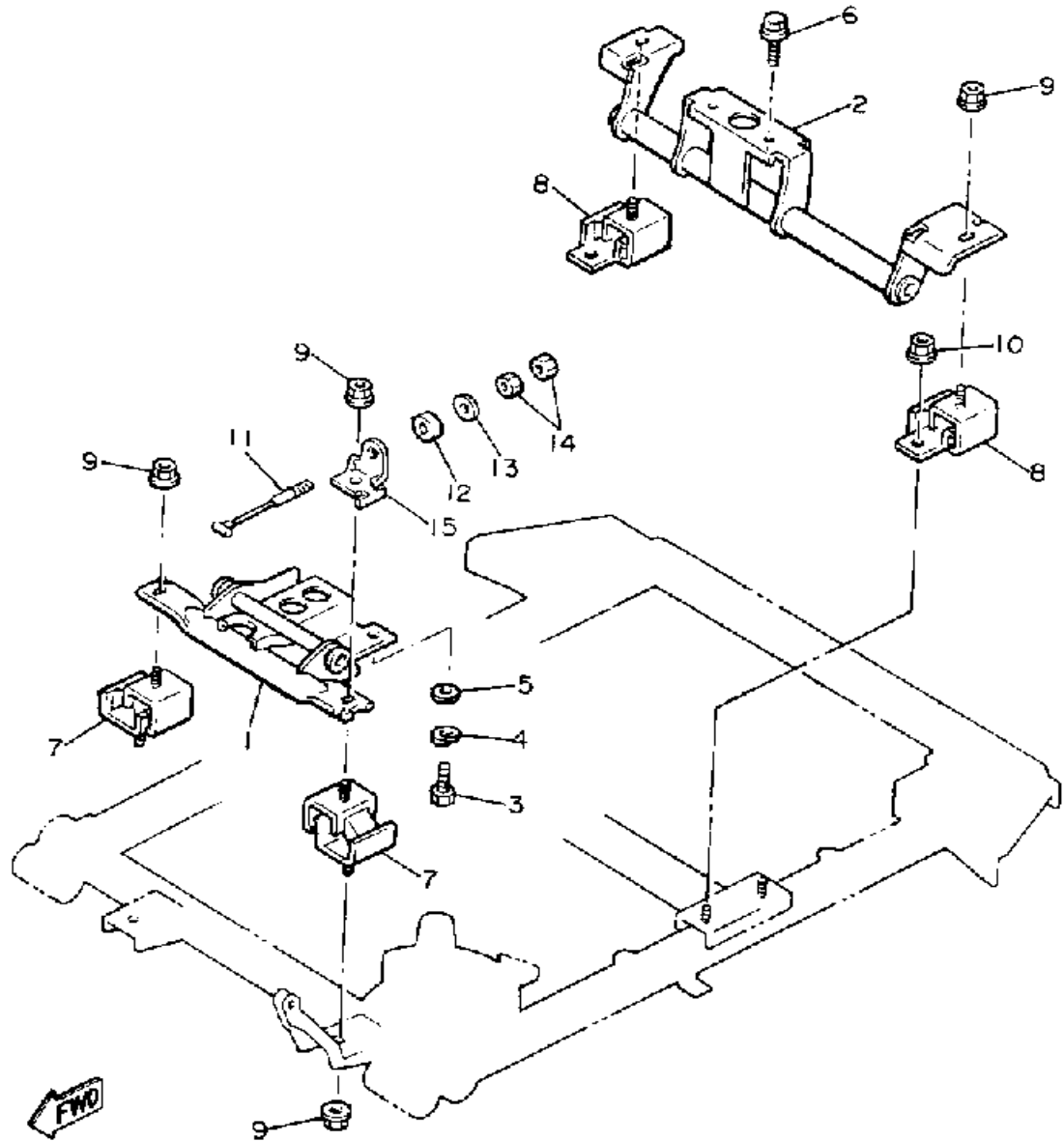
CRANKCASE



J50100-9080

Ref. No.	Part Number	Description	Qty	Remarks
29	90467-08017-00	CLIP	2	
30	J38-11355-00-00	SEAL, CYLINDER 1	1	
31	90464-15093-00	CLAMP	1	

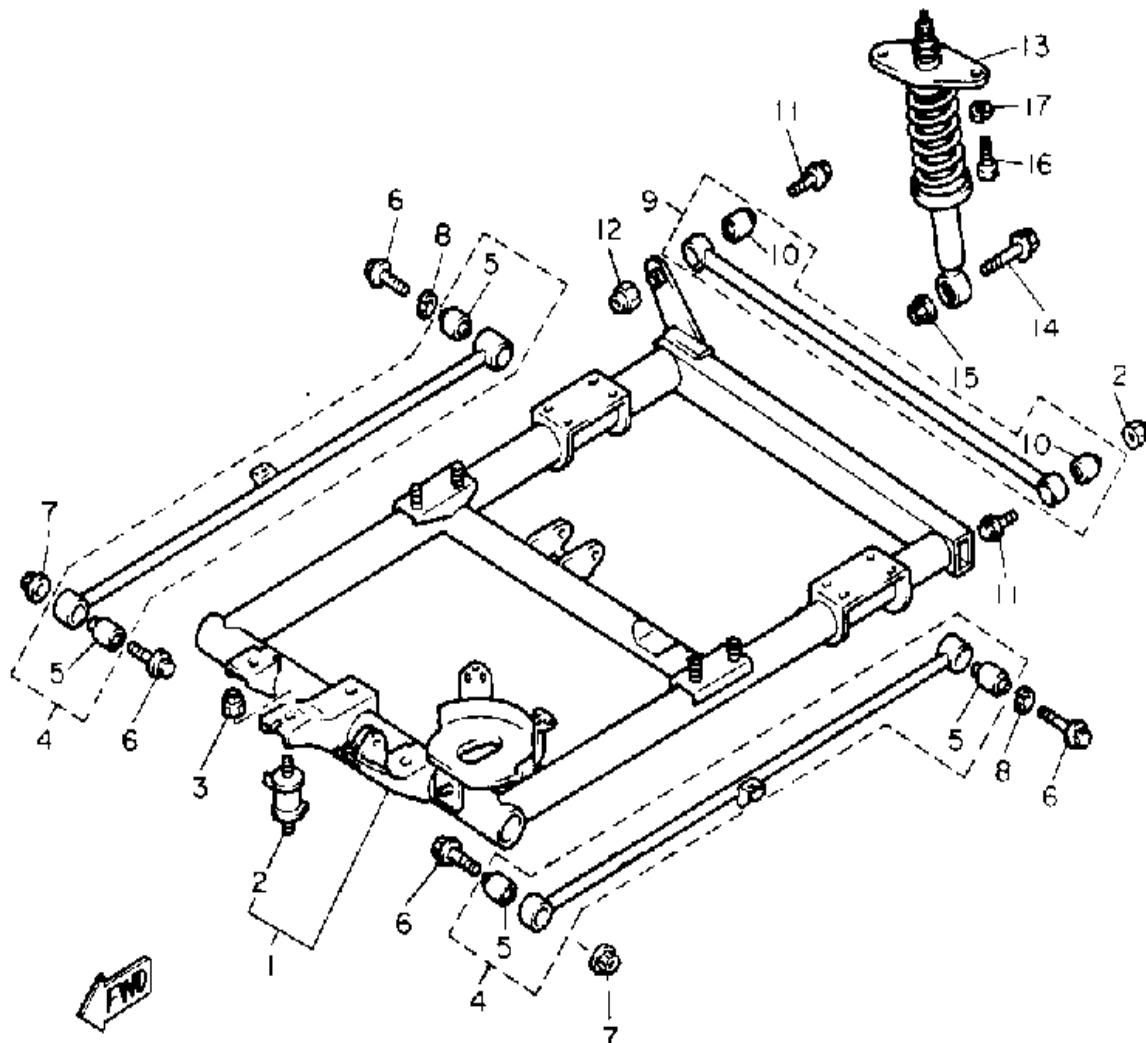
ENGINE BRACKET



J38100-7090

Ref. No.	Part Number	Description	Qty	Remarks
1	J38-21411-02-00	BRACKET, ENGINE 1	1	
2	J55-F1419-00-00	BRACKET, ENGINE 2	1	
3	97011-10025-00	BOLT	2	
4	92901-10100-00	WASHER, SPRING	2	
5	92990-10600-00	WASHER, PLATE	2	
6	95021-10040-00	BOLT, FLANGE	2	
7	J38-21486-00-00	DAMPER 2	2	
8	J38-21488-00-00	DAMPER	2	
9	95701-10500-00	NUT, FLANGE (95702-10500)	6	
10	95701-08500-00	NUT, FLANGE	4	
11	J31-2217J-01-00	TENSIONER 1	1	
12	J17-2214F-00-00	DAMPER 1	1	
13	90201-06778-00	WASHER, PLATE	1	
14	95380-06600-00	NUT	2	
15	J38-2141A-00-00	BRACKET 1	1	

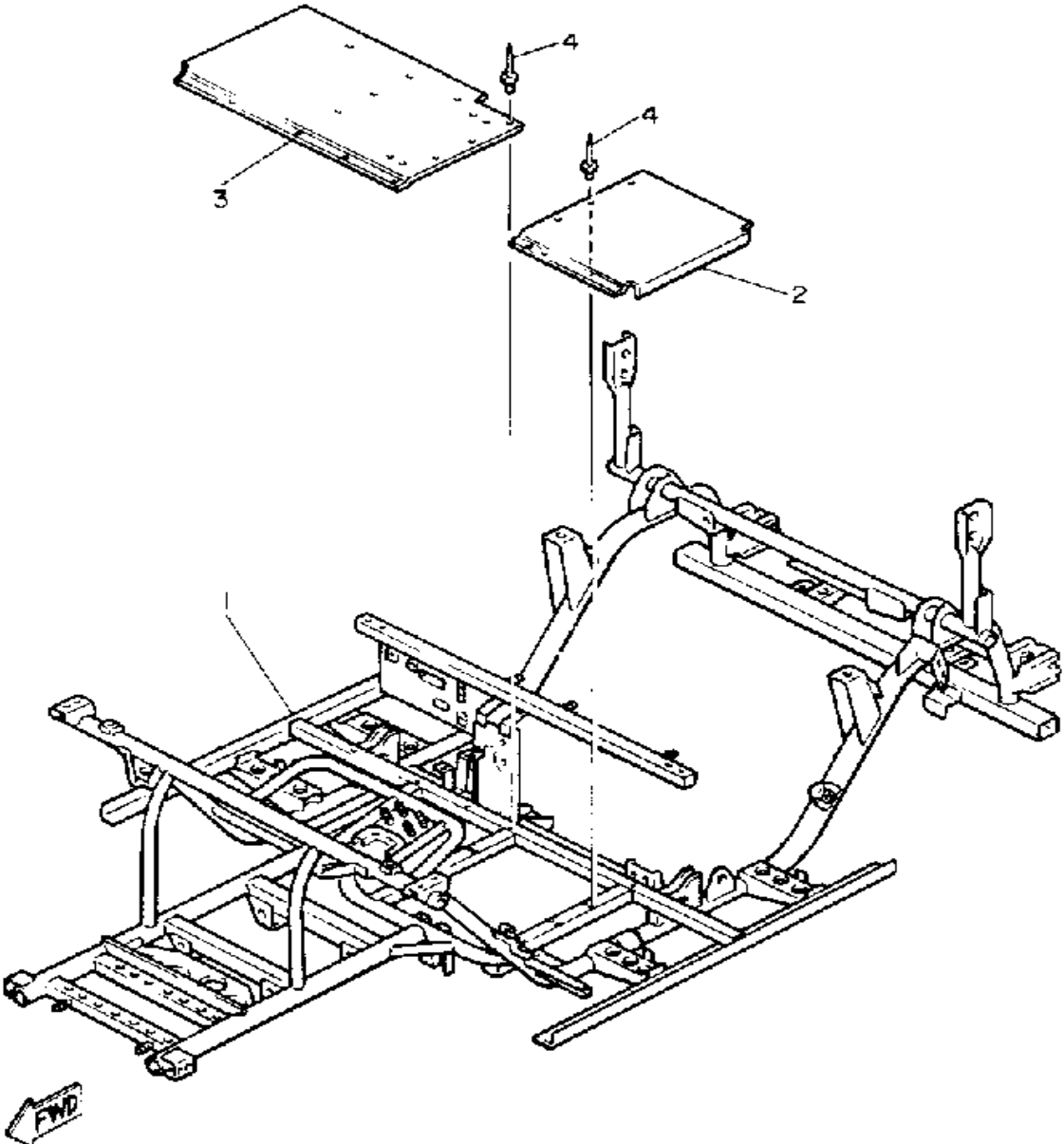
REAR SHOCKS - SUSPENSION



J50100-9100

Ref. No.	Part Number	Description	Qty	Remarks
1	J50-F2110-00-00	REAR ARM COMP.	1	
2	J50-22123-00-00	. BUSH 1	1	
3	90185-10115-00	NUT, SELF-LOCKING	2	
4	J50-22171-00-00	ARM, REAR 1	2	
5	J50-22124-00-00	. BUSH 2	2	
6	95812-12065-00	BOLT, FLANGE	4	
7	90185-12072-00	NUT, SELF-LOCKING	2	
8	92901-12100-00	WASHER, SPRING	2	
9	J50-22172-00-00	ARM, REAR 2	1	
10	J50-22124-00-00	. BUSH 2	2	
11	95812-12065-00	BOLT, FLANGE	2	
12	90185-12072-00	NUT, SELF-LOCKING	2	
13	J50-F2201-00-00	DAMPER SUB ASSEMBLY, RR	2	
14	95812-12055-00	BOLT, FLANGE	2	
15	90185-12072-00	NUT, SELF-LOCKING	2	
16	97011-08016-00	BOLT	4	
17	92990-08100-00	WASHER		

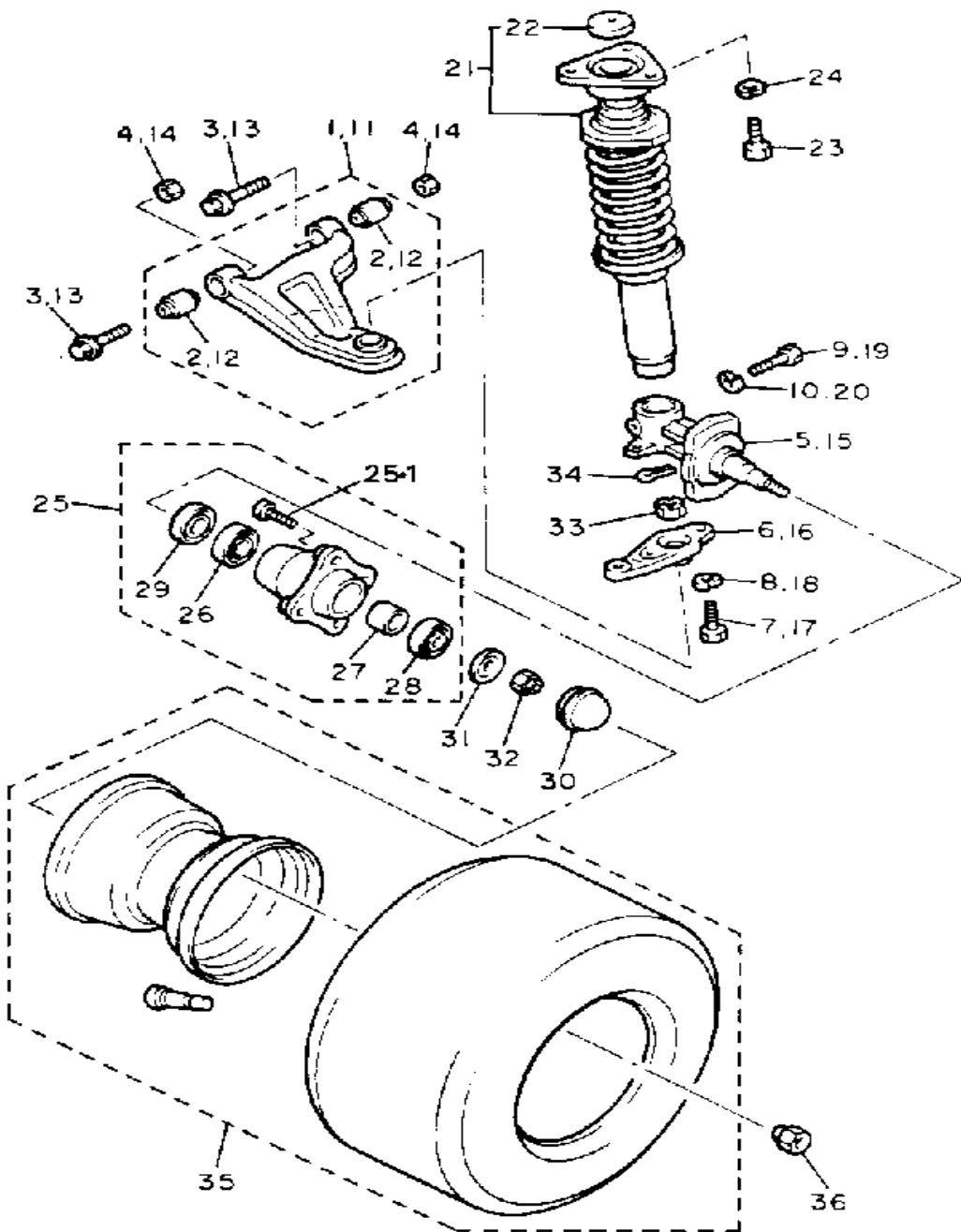
FRAME



J50100-9110

Ref. No.	Part Number	Description	Qty	Remarks
1	J50-F2501-01-00	FRAME COMP.	1	
2	J50-22571-00-00	PANEL 1	1	
3	J50-22572-00-00	PANEL 2	1	
4	90267-40054-00	RIVET, BLIND	16	

FRONT SUSPENSION - WHEEL



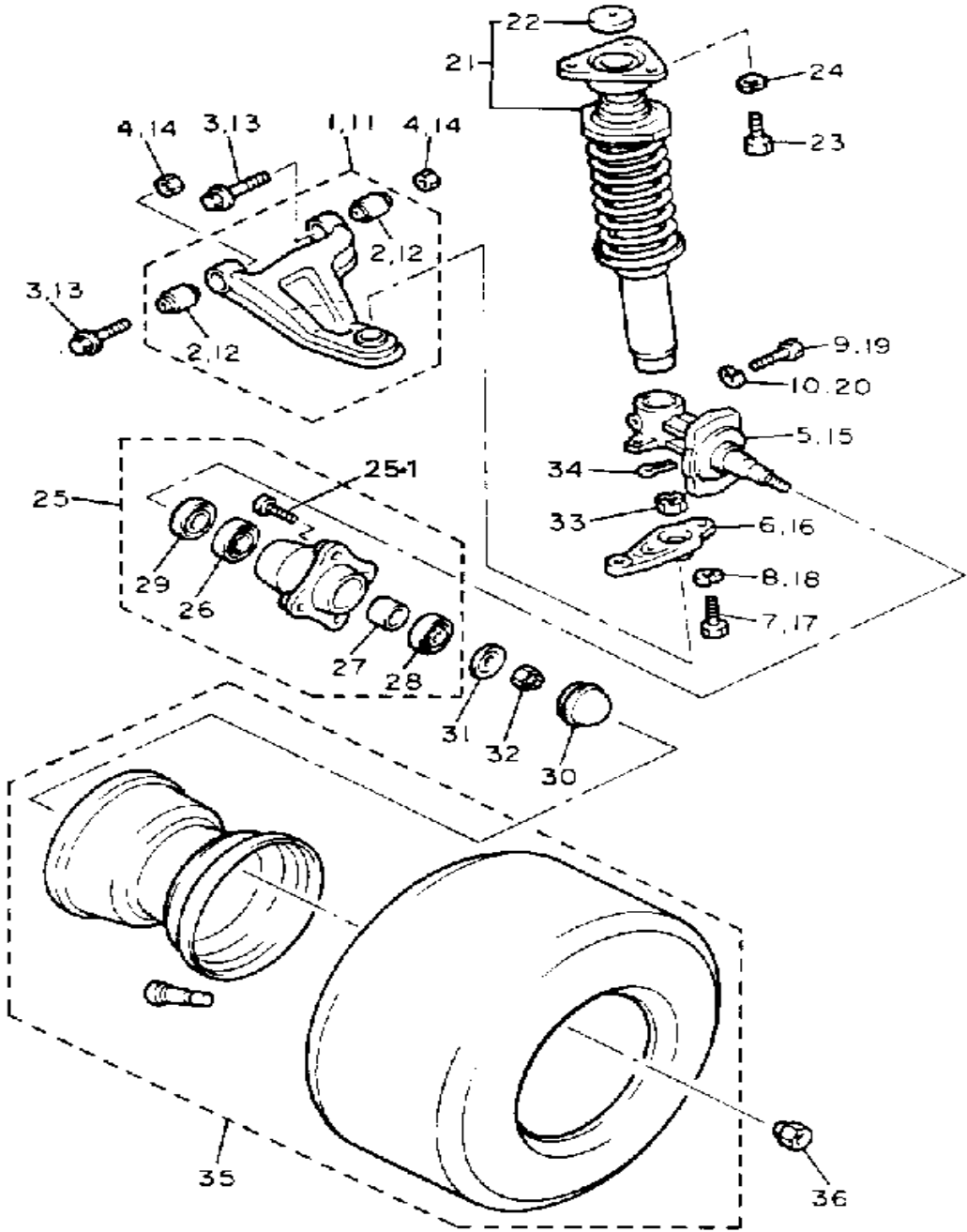
Ref. No.	Part Number	Description	Qty	Remarks
1	J50-23507-00-00	FRT.LW.ARM SUB-ASSEMBLY (L.H)	1	
2	J38-23526-00-00	. BUSH	2	
3	95811-10070-00	BOLT, flange (95812-10070-00)	2	
4	90185-10115-00	NUT, SELF-LOCKING	2	
5	J51-23511-00-00	KNUCKLE, STEERING 1	1	
6	J50-23512-00-00	ARM, KNUCKLE 1	1	
7	90101-12687-00	BOLT	2	
8	92990-12100-00	WASHER, SPRING	2	
9	97022-08040-00	BOLT (83L)	1	
10	92990-08100-00	WASHER	1	
11	J50-23508-00-00	FRT.LW.ARM SUB-ASSEMBLY (R.H)	1	
12	J38-23526-00-00	. BUSH	2	
13	95811-10070-00	BOLT, flange (95812-10070-00)	2	
14	90185-10115-00	NUT, SELF-LOCKING	2	
15	J51-23511-00-00	KNUCKLE, STEERING 1	1	
16	J50-23522-00-00	ARM, KNUCKLE 2	1	
17	90101-12687-00	BOLT	2	
18	92990-12100-00	WASHER, SPRING	2	
19	97022-08040-00	BOLT (83L)	1	
20	92990-08100-00	WASHER	1	
21	J50-F330E-00-00	DAMPER ASSEMBLY, FRONT	2	
22	J50-23384-00-00	. COVER, DUST SEAL 2	1	
23	97090-08020-00	BOLT	6	
24	92990-08100-00	WASHER	6	
25	J50-F5110-00-00	HUB ASSEMBLY, FRONT	2	
26	93306-20567-00	. BEARING	1	



150100-9120

CONTINUED ON NEXT FRAME ►

FRONT SUSPENSION - WHEEL

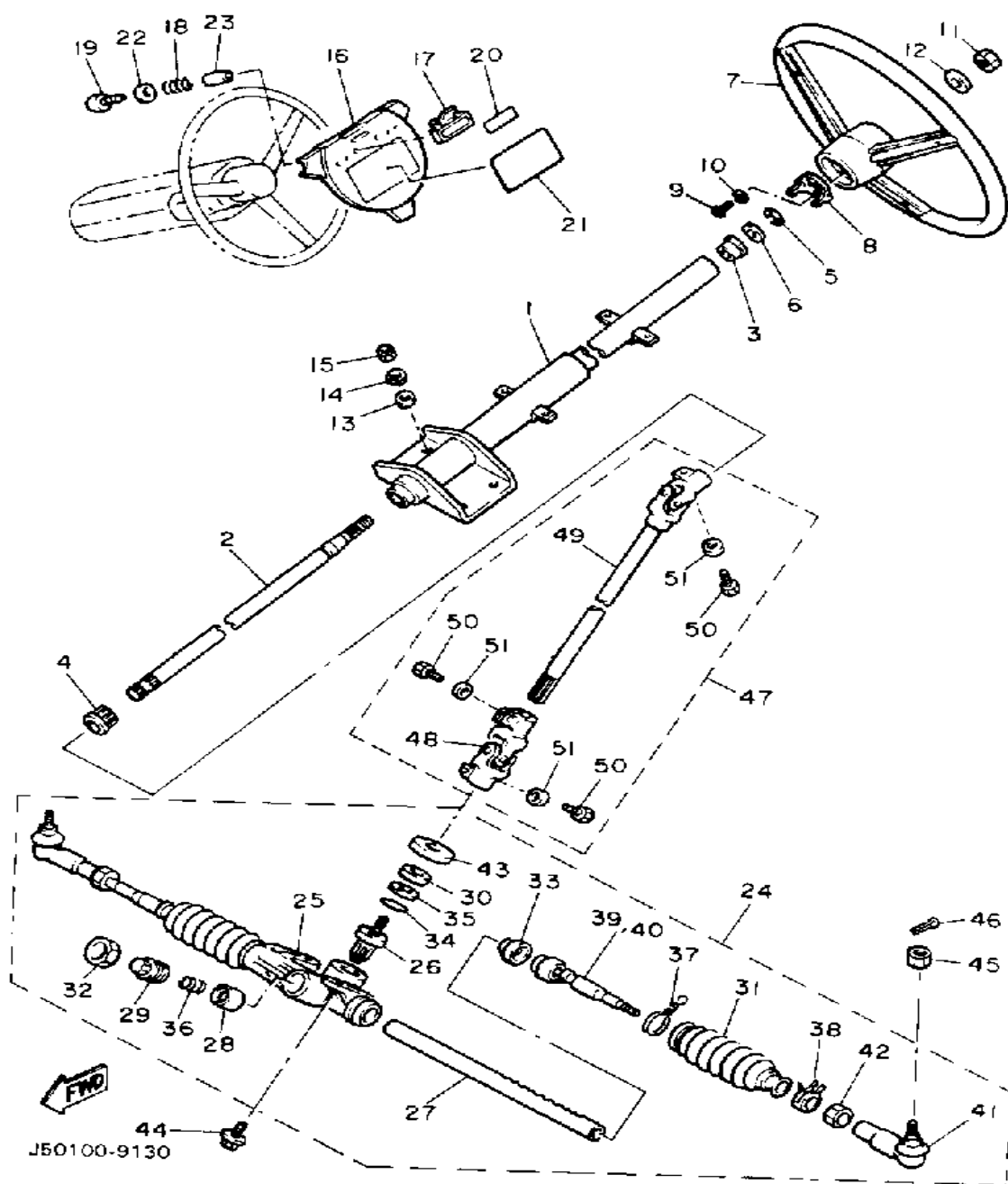


Ref. No.	Part Number	Description	Qty	Remarks
27	J50-25183-00-00	. COLLAR, WHEEL	1	
28	93306-00507-00	. BEARING (B6005)	1	
29	93102-35412-00	. OIL SEAL	1	
30	J17-25118-00-00	COVER, HUB DUST	2	
31	90209-32271-00	WASHER	2	
32	95601-14100-00	NUT, U (95602-14100-00)	2	
33	90171-10004-00	NUT, CASTLE	2	
34	91401-25030-00	PIN, COTTER	2	
35	*---	FRONT WHEEL ASSEMBLY	2	LM (SEE NOTE)
36	90179-12262-00	NUT	8	
25-1	90114-12003-00	. BOLT, RIBBED NECK	4	



.150100-9120

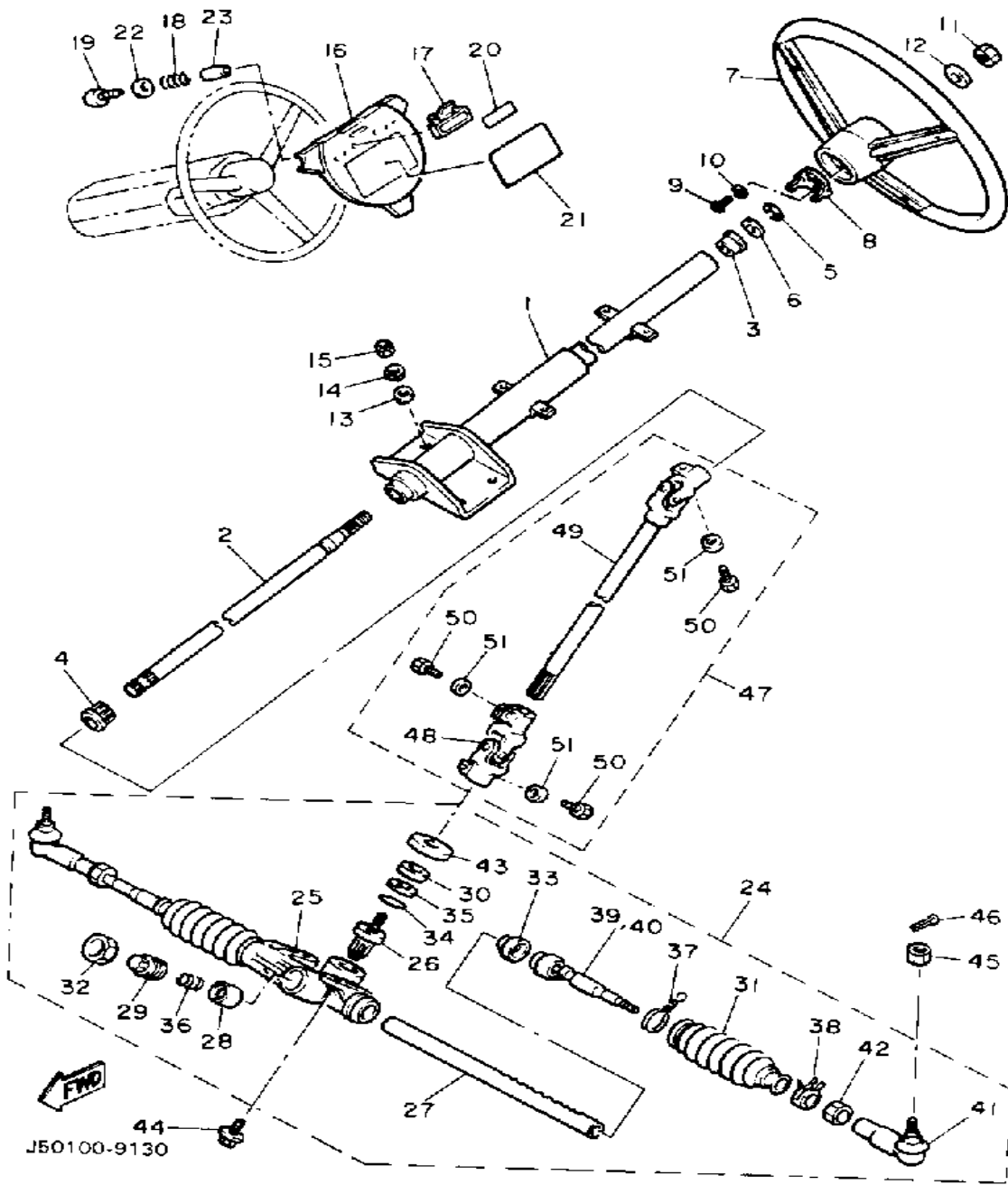
STEERING



Ref. No.	Part Number	Description	Qty	Remarks
1	J50-23811-00-00	COLUMN, STEERING	1	
2	J50-23828-00-00	ROD, STEERING	1	
3	J50-23814-00-00	HOLDER, HANDLE UPR	1	
4	J50-23857-00-00	WASHER, LOCK	1	
5	99009-16400-00	CIRCLIP	1	
6	90201-16245-00	WASHER, PLATE	1	
7	J50-F3838-00-00	WHEEL, STEERING	1	
8	J42-23839-00-00	PIN, CANCEL	1	
9	98580-04008-00	SCREW, PAN HEAD	3	
10	92901-04100-00	WASHER, SPRING	3	
11	90185-12119-00	NUT, SELF-LOCKING	1	
12	92990-12200-00	WASHER, PLAIN	1	
13	92990-08200-00	WASHER, PLAIN	4	
14	92990-08100-00	WASHER	4	
15	95380-08600-00	NUT	4	
16	J50-K8357-00-00	HOLDER 1	1	
17	J50-K8358-00-00	HOLDER 2	1	
18	90502-10013-00	SPRING, CONICAL	2	
19	97706-40525-00	SCREW, TAPPING	2	
20	J38-77763-10-00	LABEL, WARNING 3	1	
21	J50-77762-00-00	LABEL, WARNING 2	1	
22	90201-044A2-00	WASHER, PLATE	2	
23	90387-046N7-00	COLLAR	2	
24	J50-23400-00-00	STEERING ASSEMBLY	1	
25	J50-2388A-00-00	. HOUSING, STRG.GEAR (J50-23824-00)	1	
26	J50-2387A-00-00	. PINION KIT	1	
27	J50-2387E-00-00	. GEAR, RACK	1	
28	J50-2387F-00-00	. PAD, PRESSURE	1	

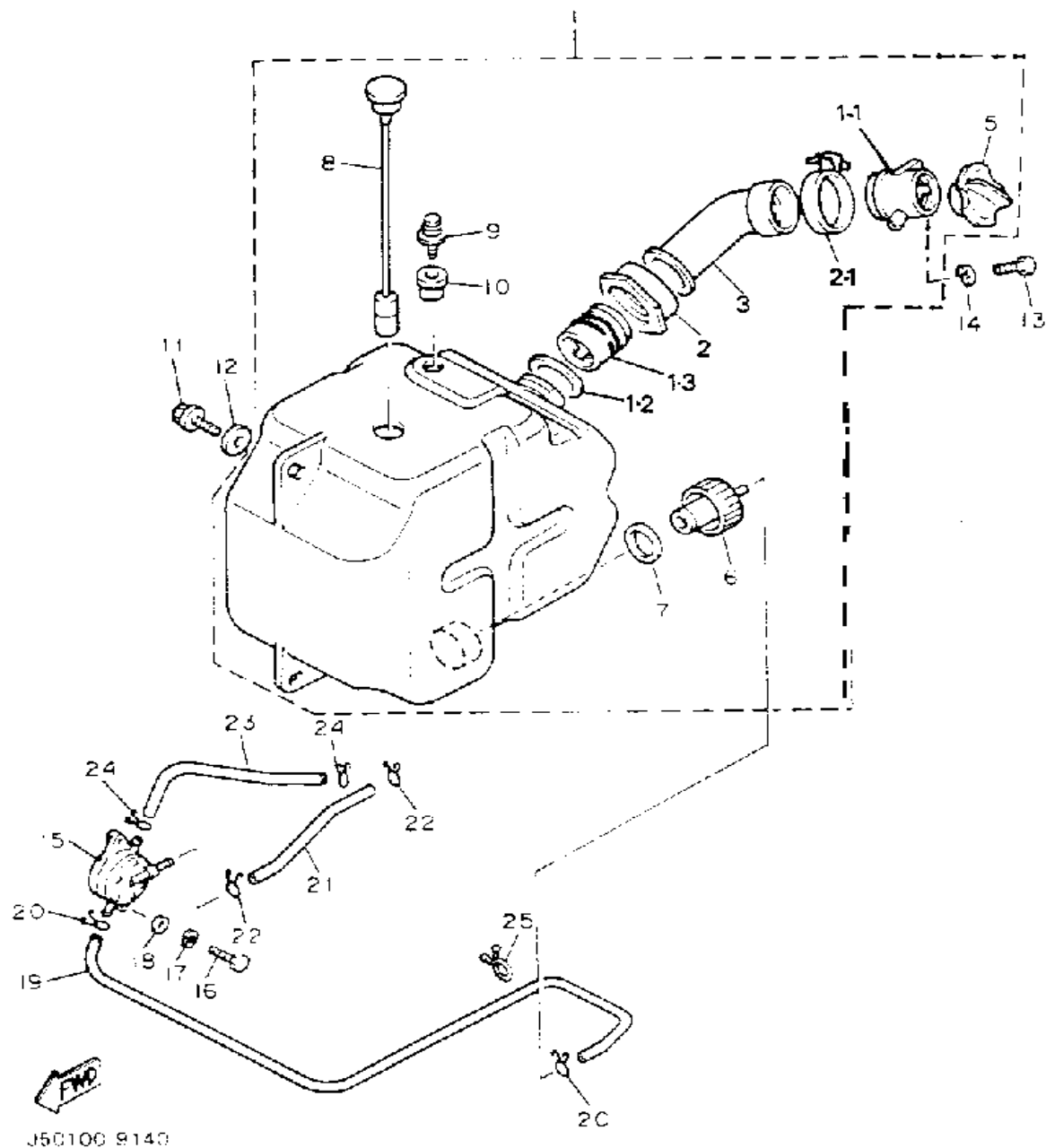
CONTINUED ON NEXT FRAME ►

STEERING



Ref. No.	Part Number	Description	Qty	Remarks
29	J50-2387G-00-00	. COVER, ADJUST	1	
30	J50-23844-00-00	. SEAL	1	
31	J50-2384M-00-00	. BOOT	2	
32	J50-23834-00-00	. NUT 2	1	
33	J50-23894-00-00	. WASHER, LOCK 1	1	
34	J50-2387H-00-00	. RING, SNAP	1	
35	J50-2387J-00-00	. RING, STOPPER	1	
36	J50-2387K-00-00	. SPRING, PRESSURE	1	
37	J50-23447-00-00	. CLIP	2	
38	J50-2384N-00-00	. CLIP, RING	2	
39	J50-23831-00-00	. ROD, TIE	1	
40	J50-23837-00-00	. ROD, TIE 2	1	
41	J50-23841-00-00	. UNAVAILABLE IN PRICE BOOK	2	
42	J50-23833-00-00	. NUT 1	2	
43	J50-2384L-00-00	. COVER, DUST	1	
44	95822-10025-00	BOLT, FLANGE	2	
45	90171-10004-00	NUT, CASTLE	2	
46	91402-25028-00	PIN, COTTER	2	
47	J50-23822-00-00	JOINT 1	1	
48	J50-23832-00-00	. JOINT 3	1	
49	J50-23823-00-00	. JOINT 2	1	
50	J50-23876-00-00	. BOLT	3	
51	J50-23427-00-00	. WASHER	3	

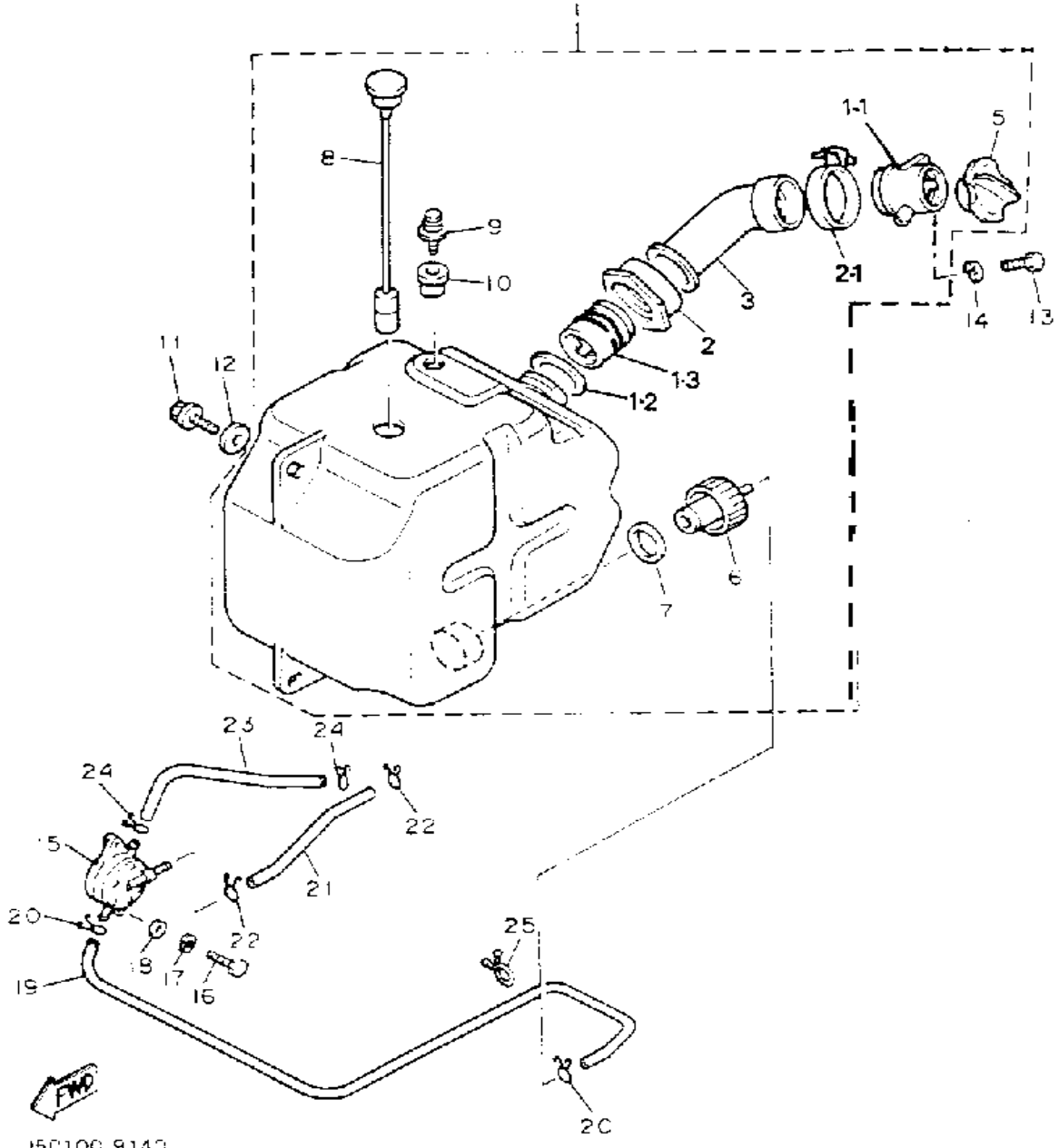
FUEL TANK



Ref. No.	Part Number	Description	Qty	Remarks
1	J50-F4110-01-00	FUEL TANK COMP. (J50-F4110-00)	1	
2	J50-24611-01-00	. BODY CAP	1	
3	J50-24112-01-00	. PIPE, CONNECTING	1	
4	90450-67033-00	. HOSE CLAMP ASSEMBLY	1	
5	J50-24620-00-00	. BODY CAP ASSEMBLY	1	
6	8R4-24560-00-00	. FILTER ASSEMBLY.	1	
7	8F3-24564-00-00	. GASKET	1	
8	J50-85752-00-00	. SNDR UT ASSEMBLY, F/MTR FUEL METER	1	
9	J24-24460-01-00	. RELEASE VALVE ASSEMBLY.	1	
10	J10-21773-00-00	. GROMMET	1	
11	95821-08025-00	BOLT, FLANGE	3	
12	90201-084K7-00	WASHER, PLATE	3	
13	97021-06012-00	BOLT	2	
14	92995-06100-00	WASHER, SPRING	2	
15	J50-24410-00-00	FUEL PUMP ASSEMBLY	1	
16	97011-06020-00	BOLT	2	
17	92995-06100-00	WASHER, SPRING	2	
18	92990-06600-00	WASHER, PLATE	2	
19	J50-24311-00-00	PIPE, FUEL 1	1	
20	90467-11009-00	CLIP	2	
21	90445-09222-00	HOSE	1	
22	90467-08017-00	CLIP	2	
23	90445-09304-00	HOSE	1	
24	90467-08017-00	CLIP	2	
25	90464-23041-00	CLAMP	2	
1-1	J50-24114-01-00	. TUBE, FILLER	1	
1-2	J50-24612-00-00	. PACKING CAP	1	

CONTINUED ON NEXT FRAME ►

FUEL TANK

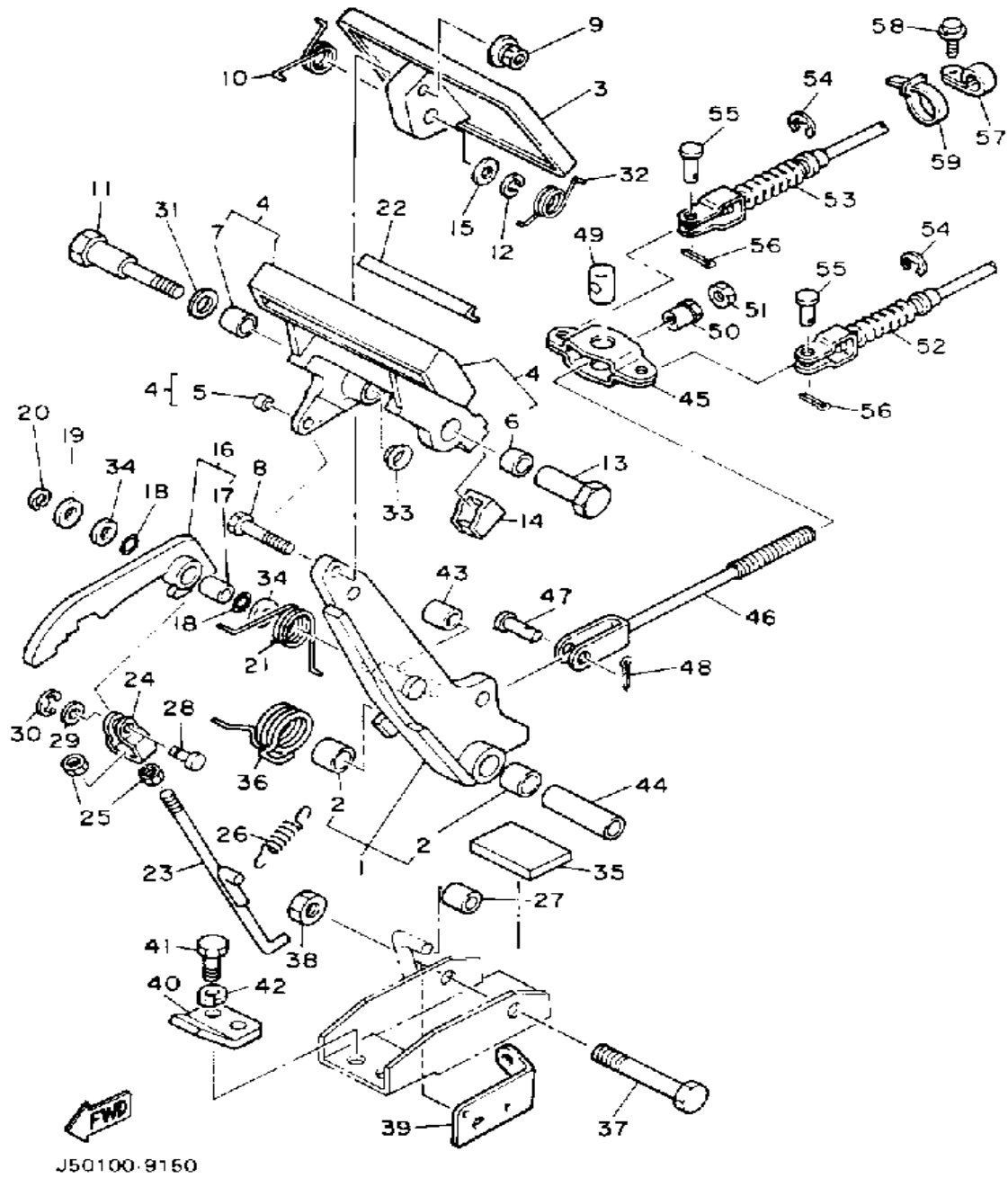


J50100 9140

Ref. No.	Part Number	Description	Qty	Remarks
----------	-------------	-------------	-----	---------

1-3	J50-24667-00-00	. GUIDE PIPE	1	
2-1	90450-52058-00	.. HOSE CLAMP ASSEMBLY .	1	

BRAKE

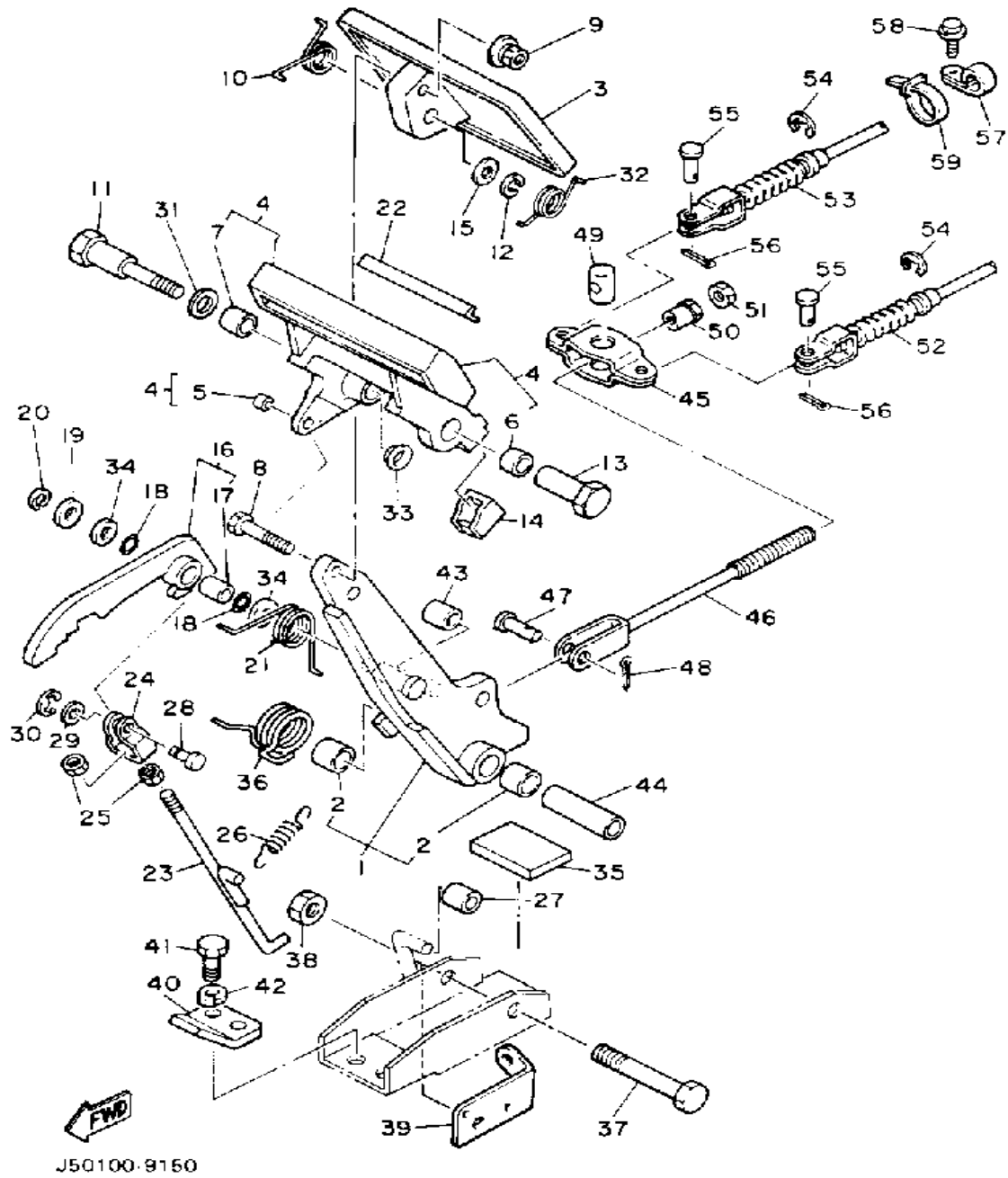


J50100-9150

Ref. No.	Part Number	Description	Qty	Remarks
1	J46-27250-01-00	BRAKE ARM CMLPT	1	
2	90384-14080-00	. BUSH, BIMETAL	2	
3	J10-27211-00-00	PEDAL, BRAKE	1	
4	J17-25670-01-00	PARKING PEDAL COMP.	1	
5	90384-05163-00	. BUSH, BIMETAL	1	
6	90384-12164-00	. BUSH, BIMETAL	1	
7	90380-12051-00	. BUSH, SOLID	1	
8	90101-06555-00	BOLT, HEX.	1	
9	90179-07564-00	NUT	1	
10	90508-23542-00	SPRING, TORSION	1	
11	90109-08669-00	BOLT	1	
12	92990-08100-00	WASHER	1	
13	90179-08378-00	NUT	1	
14	J17-25679-01-00	DAMPER	2	
15	92990-08200-00	WASHER, PLAIN	1	
16	J17-W2561-00-00	SECTOR, PARKING BRAKE	1	
17	90384-10162-00	. BUSH, BIMETAL	1	
18	J17-27221-00-00	SEAL, SHAFT	2	
19	92990-10600-00	WASHER, PLATE	1	
20	99080-07600-00	CIRCLIP (E)	1	
21	90508-14548-00	SPRING, TORSION	1	
22	J17-25672-01-00	PAD, PARKING	1	
23	J17-27231-02-00	ROD, BRAKE	1	
24	J17-27232-00-00	END, ROD	1	
25	95380-06700-00	NUT	2	
26	90506-12277-00	SPRING, TENSION	1	
27	J17-25673-00-00	DAMPER, BRAKE	1	
28	J17-27228-00-00	PIN, LINK JOINT	1	
29	92901-05600-00	WASHER, PLATE	1	

CONTINUED ON NEXT FRAME ►

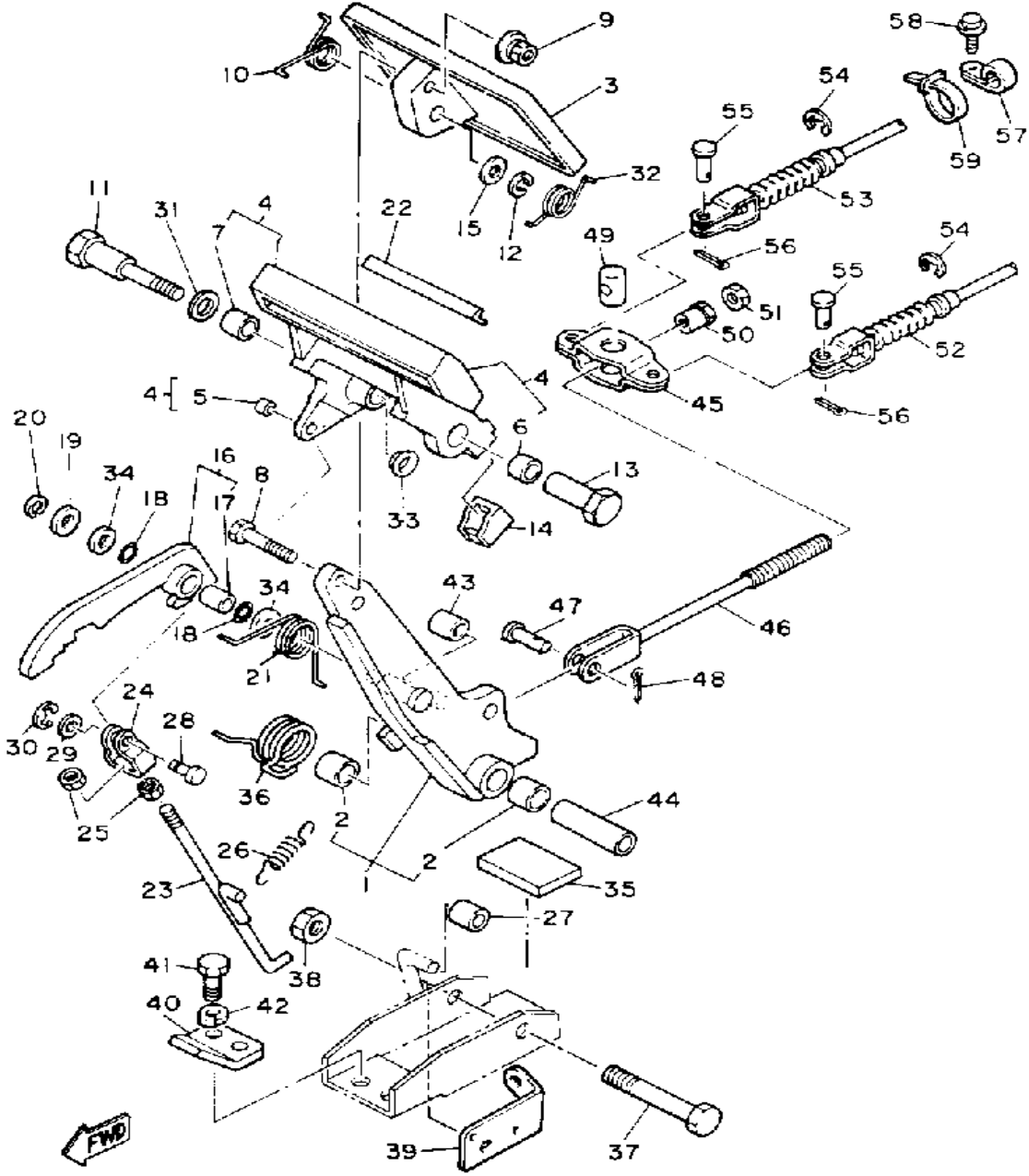
BRAKE



Ref. No.	Part Number	Description	Qty	Remarks
30	99080-04600-00	CIRCLIP (E)	1	
31	90201-123F2-00	WASHER, PLAIN	1	
32	90508-26557-00	SPRING, TORSION	1	
33	90380-12105-00	BUSH, SOLID	1	
34	90201-104G8-00	WASHER, PLAIN	2	
35	J17-27245-00-00	PAD, BRAKE PEDAL	1	
36	90508-40543-00	SPRING, TORSION	1	
37	90101-10447-00	BOLT, HEX.	1	
38	95601-10100-00	NUT, U (95602-10100-00)	1	
39	J55-2252M-00-00	BRACKET,	1	
40	J17-27246-00-00	NAIL, BRAKE	1	
41	97313-08020-00	BOLT, HEXAGON	2	
42	92990-08100-00	WASHER	2	
43	J17-25673-00-00	DAMPER, BRAKE	1	
44	90387-107F8-00	COLLAR	1	
45	J10-25681-00-00	EQUALIZER, BRAKE	1	
46	J50-25685-00-00	ROD	1	
47	91701-10022-00	PIN	1	
48	91490-30020-00	PIN, COTTER	1	
49	90249-14129-00	PIN	1	
50	90179-08261-00	NUT	1	
51	95303-08700-00	NUT	1	
52	J50-F6341-00-00	CABLE, BRAKE	1	
53	J50-F6351-00-00	CABLE, BRAKE	1	
54	99001-09600-00	CIRCLIP	4	
55	91701-08018-00	PIN	4	
56	91490-25020-00	PIN, COTTER	4	
57	90461-12117-00	CLAMP	4	
58	95811-06012-00	BOLT, FLANGE	4	

CONTINUED ON NEXT FRAME ►

BRAKE

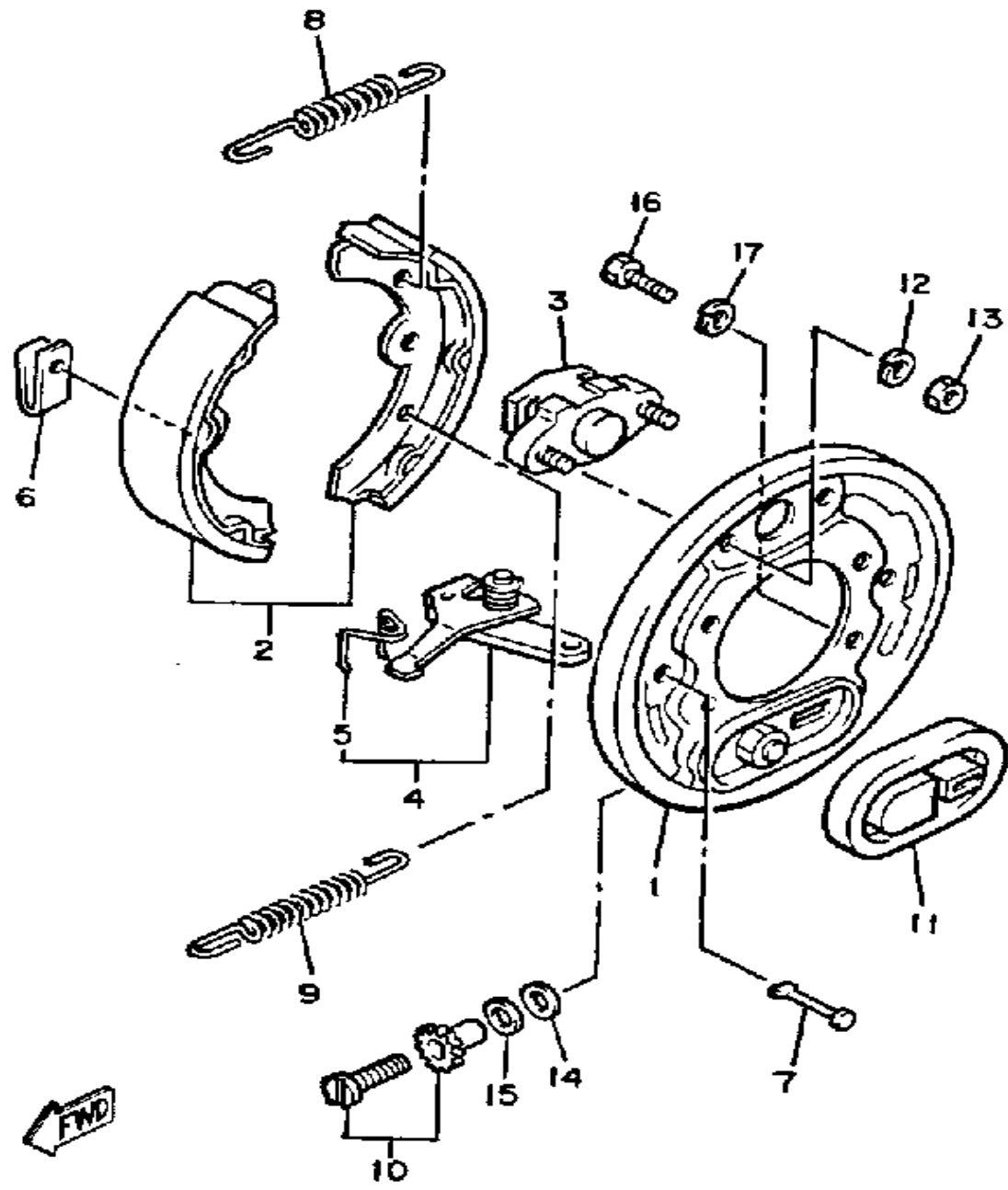


J50100-9150

Ref. No.	Part Number	Description	Qty	Remarks
----------	-------------	-------------	-----	---------

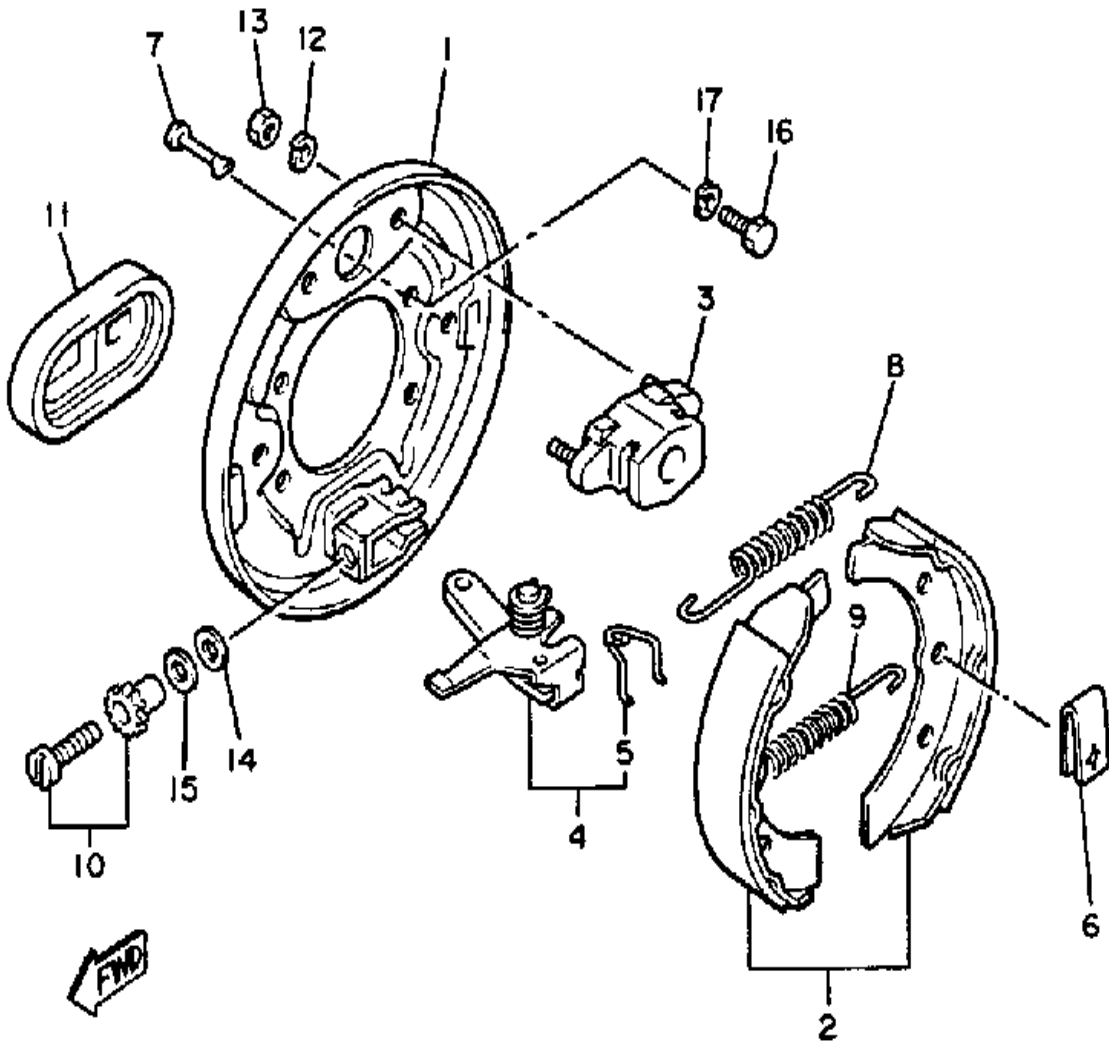
59	90465-13169-00	CALMP	1	
----	----------------	-------------	---	--

BRAKE 2



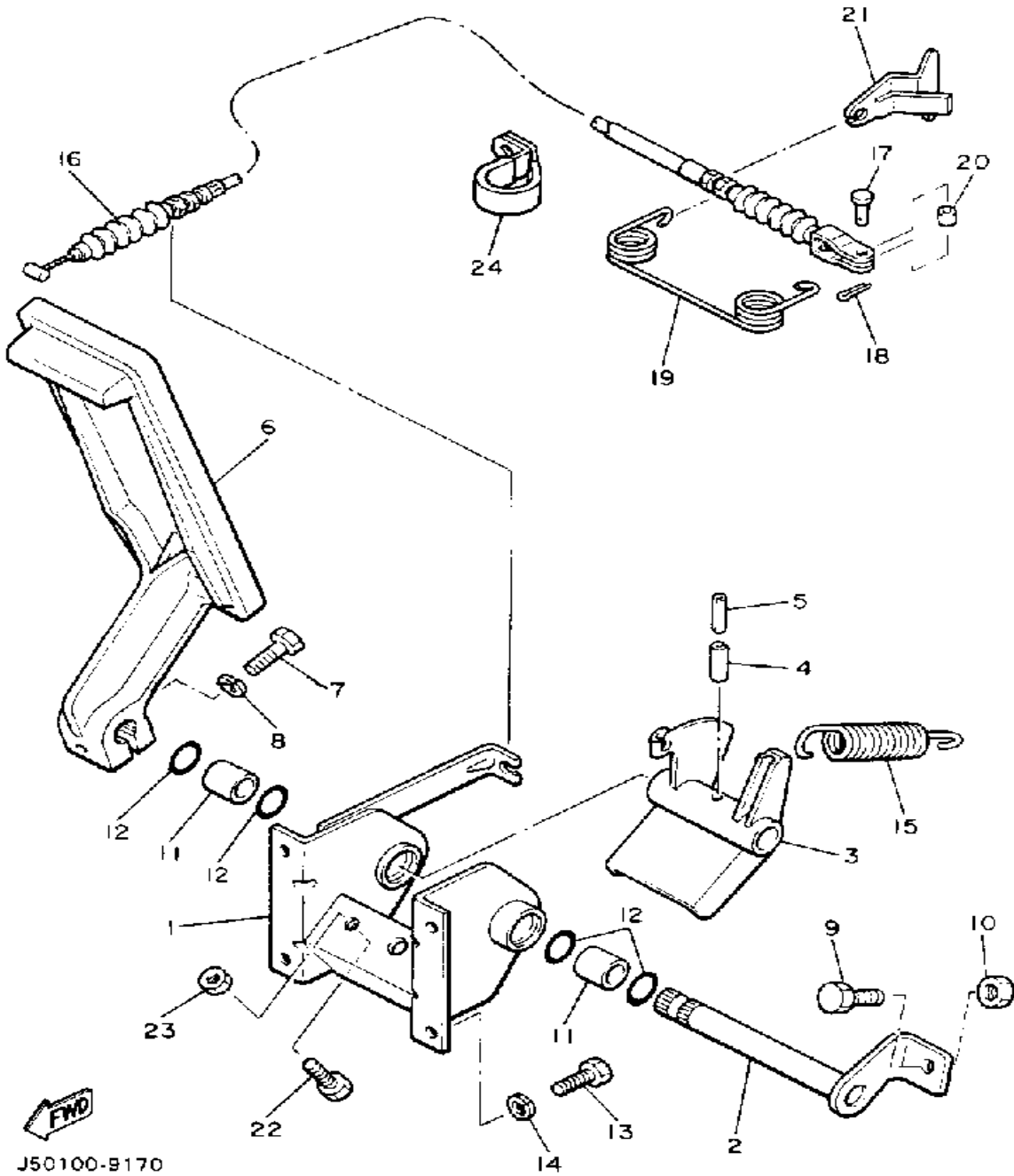
Ref. No.	Part Number	Description	Qty	Remarks
1	J17-27208-00-00	BACKING PLATE SUB ASSEMBLY 1 (R.H)	1	
2	J55-W2536-00-00	BRAKE SHOE SET	1	
3	J17-27206-00-00	ANCHOR BODY COMP.	1	
4	J38-27204-00-00	LEVER ASSEMBLY 1	1	
5	J55-25358-00-00	. SPRING LEVER	1	
6	J10-27281-00-00	SPRING, SHOE CLAMP	2	
7	J10-27282-00-00	PIN, SHOE HOLD DOWN	2	
8	90506-20281-00	SPRING, TENSION	1	
9	90506-26191-00	SPRING, TENSION	1	
10	J55-27270-00-00	ADJUSTER ASSEMBLY	1	
11	J10-27286-00-00	COVER, DUST	1	
12	92995-06100-00	WASHER, SPRING	2	
13	95380-06600-00	NUT	2	
14	90201-121H8-00	WASHER, PLATE	1	
15	90201-121H9-00	WASHER, PLATE	1	
16	97011-08016-00	BOLT	4	
17	92990-08100-00	WASHER	4	

BRAKE 3



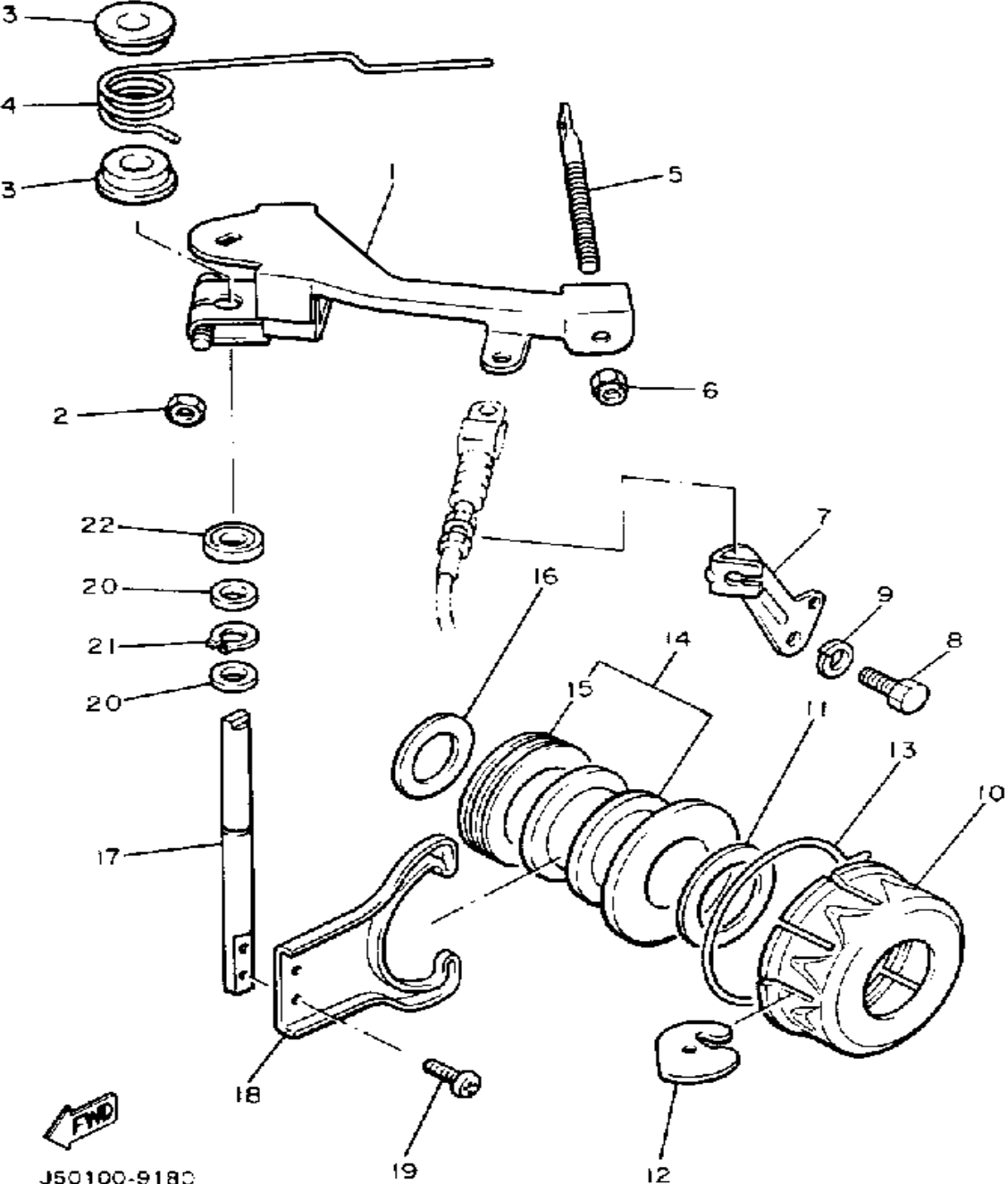
Ref. No.	Part Number	Description	Qty	Remarks
1	J17-27209-00-00	BACKING PLATE SUB ASSEMBLY 2 (L.H)	1	
2	J55-W2536-00-00	BRAKE SHOE SET	1	
3	J17-27206-00-00	ANCHOR BODY COMP.	1	
4	J38-27205-00-00	LEVER ASSEMBLY 2	1	
5	J55-25357-00-00	. SPRING, LEVER	1	
6	J10-27281-00-00	SPRING, SHOE CLAMP	2	
7	J10-27282-00-00	PIN, SHOE HOLD DOWN	2	
8	90506-20281-00	SPRING, TENSION	1	
9	90506-26191-00	SPRING, TENSION	1	
10	J55-27260-00-00	ADJUSTER ASSEMBLY	1	
11	J10-27286-00-00	COVER, DUST	1	
12	92995-06100-00	WASHER, SPRING	2	
13	95380-06600-00	NUT	2	
14	90201-121H8-00	WASHER, PLATE	1	
15	90201-121H9-00	WASHER, PLATE	1	
16	97011-08016-00	BOLT	4	
17	92990-08100-00	WASHER	4	

ACCELERATOR



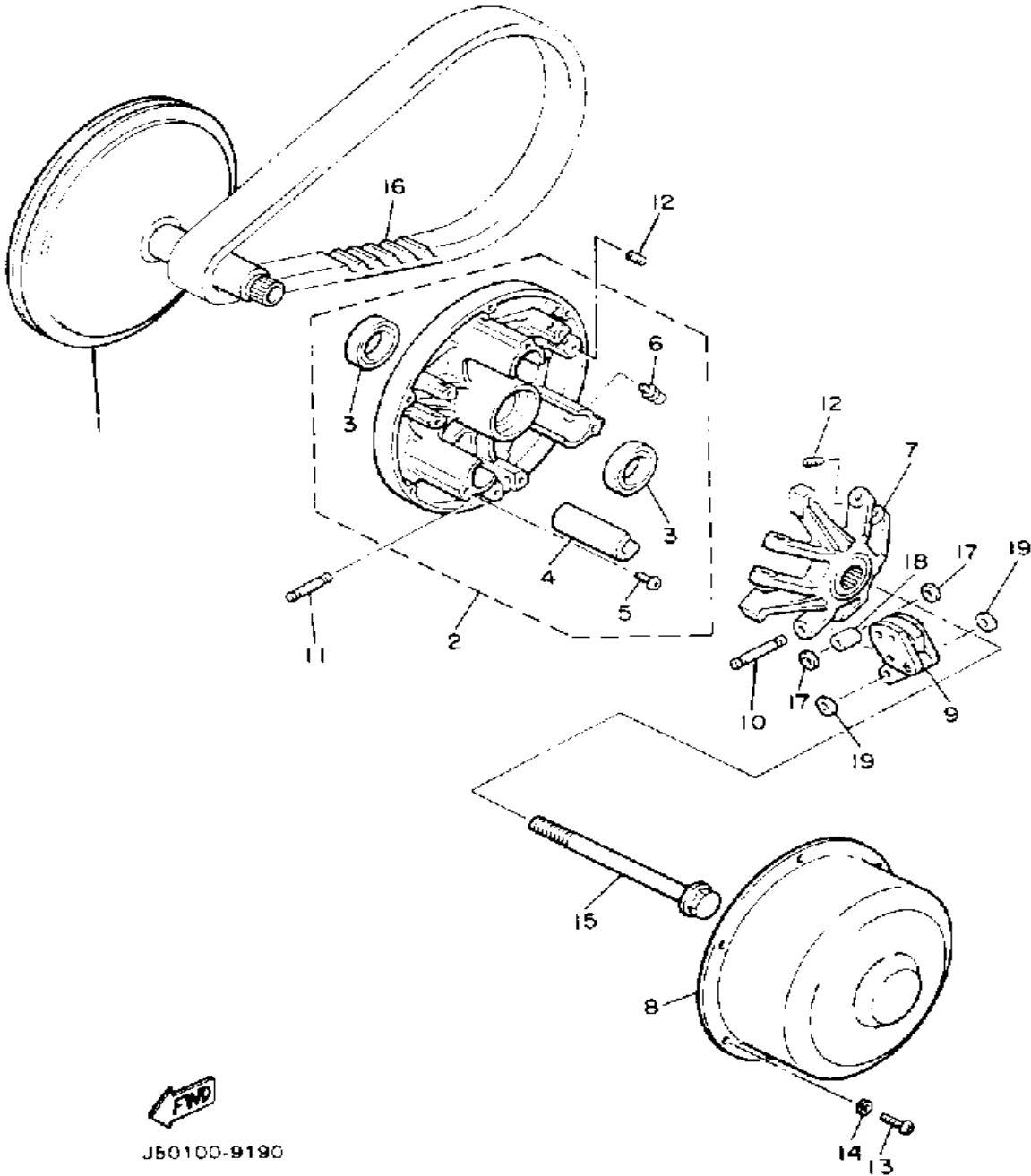
Ref. No.	Part Number	Description	Qty	Remarks
1	J38-27874-00-00	BRACKET, ACCELERATOR PEDAL	1	
2	J17-27853-00-00	SHAFT, PEDAL 1	1	
3	J38-27872-00-00	ARM, ACCELERATOR	1	
4	91609-60028-00	PIN, SPRING	1	
5	91609-35028-00	PIN, SPRING	1	
6	JF3-27871-00-00	PEDAL, ACCELERATOR	1	
7	97011-06025-00	BOLT (97001-06025)	1	
8	92995-06100-00	WASHER, SPRING	1	
9	90106-08040-00	BOLT, RD. HEX	1	
10	95303-08700-00	NUT	1	
11	90384-14080-00	BUSH, BIMETAL	2	
12	93210-14104-00	O-RING	4	
13	97011-06016-00	BOLT	4	
14	92995-06100-00	WASHER, SPRING	4	
15	90506-26282-00	SPRING, TENSION	1	
16	J50-F6311-00-00	CABLE, THROTTLE 1	1	
17	91702-05012-00	PIN	1	
18	90468-10050-00	CLIP	1	
19	90508-16460-00	SPRING, TORSION	1	
20	90560-05001-00	SPACER	1	
21	J38-27981-00-00	BRACKET, THROTTLE	1	
22	97011-06025-00	BOLT (97001-06025)	1	
23	95380-06700-00	NUT	1	
24	90465-08334-00	CLAMP	1	

GOVERNOR



Ref. No.	Part Number	Description	Qty	Remarks
1	J38-27951-00-00	LEVER, SPEED	1	
2	95380-06600-00	NUT	1	
3	90386-08141-00	BUSH	2	
4	90508-40678-00	SPRING, TORSION	1	
5	J38-27959-00-00	SCREW, ADJUSTING	1	
6	95701-06300-00	NUT, NYLON	1	
7	J38-27982-00-00	BRACKET, WIRE	1	
8	97011-08016-00	BOLT	1	
9	92990-08100-00	WASHER	1	
10	J10-27912-00-00	RETAINER	1	
11	90387-21690-00	COLLAR	1	
12	J10-27913-00-00	WEIGHT	12	
13	J10-27911-00-00	HOLDER	1	
14	J10-27927-00-00	LIFTER	1	
15	93342-22502-00	. BEARING, THRUST	1	
16	90201-20275-00	WASHER, PLATE	1	
17	J38-27921-00-00	SHAFT, GOVERNOR	1	
18	J10-27922-00-00	FORK, GOVERNOR	1	
19	90157-04092-00	SCREW, PAN HEAD	2	
20	90202-08110-00	WASHER, PLATE	2	
21	99009-06600-00	CIRCLIP	1	
22	93109-08050-00	OIL SEAL	1	

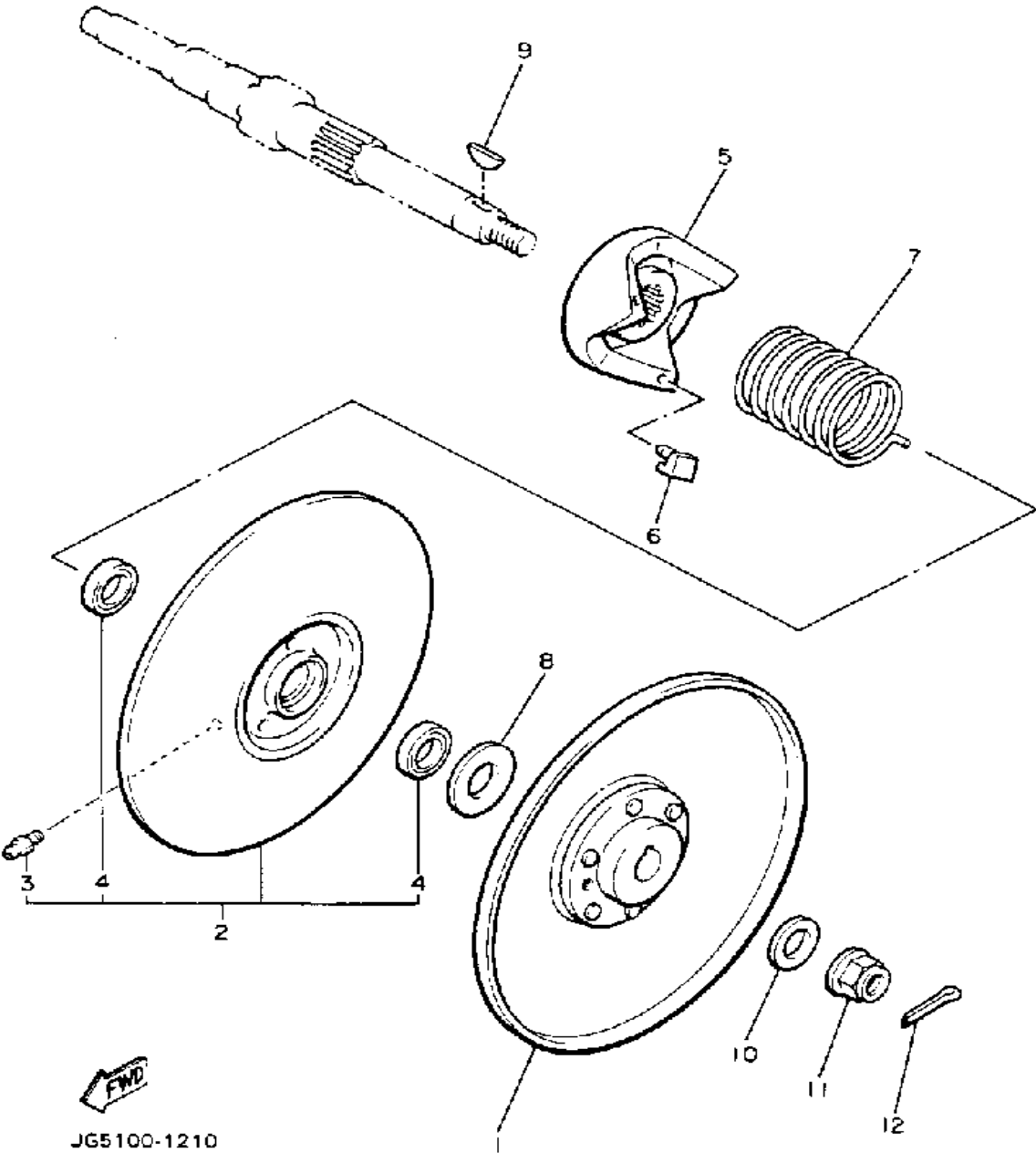
PRIMARY SHEAVE



Ref. No.	Part Number	Description	Qty	Remarks
1	J38-46210-00-00	PRIMARY FIXED	1	
2	J38-46220-00-00	PRIMARY SLIDING SHEAVE COMP.	1	
3	93102-28348-00	. OIL SEAL	2	
4	J38-46253-00-00	. SLIDER	3	
5	98901-05008-00	. SCREW, BIND	3	
6	93700-06M03-00	. NIPPLE, GREASE	1	
7	J38-46251-00-00	SPIDER	1	
8	J38-46231-00-00	CAP	1	
9	J38-46205-01-00	WEIGHT LINK ASSEMBLY	3	
10	J38-46236-00-00	PIN, WEIGHT	3	
11	J38-46237-00-00	PIN, WEIGHT 2	3	
12	90113-04050-00	BOLT, SET	12	
13	98580-05010-00	SCREW, PAN HEAD	6	
14	92990-05100-00	WASHER, SPRING	6	
15	J38-46249-00-00	BOLT	1	
16	J55-G6241-00-00	BELT	1	
17	90202-07164-00	WASHER, PLATE	6	
18	90387-076U6-00	COLLAR	3	
19	90202-07186-00	WASHER, PLATE	6	

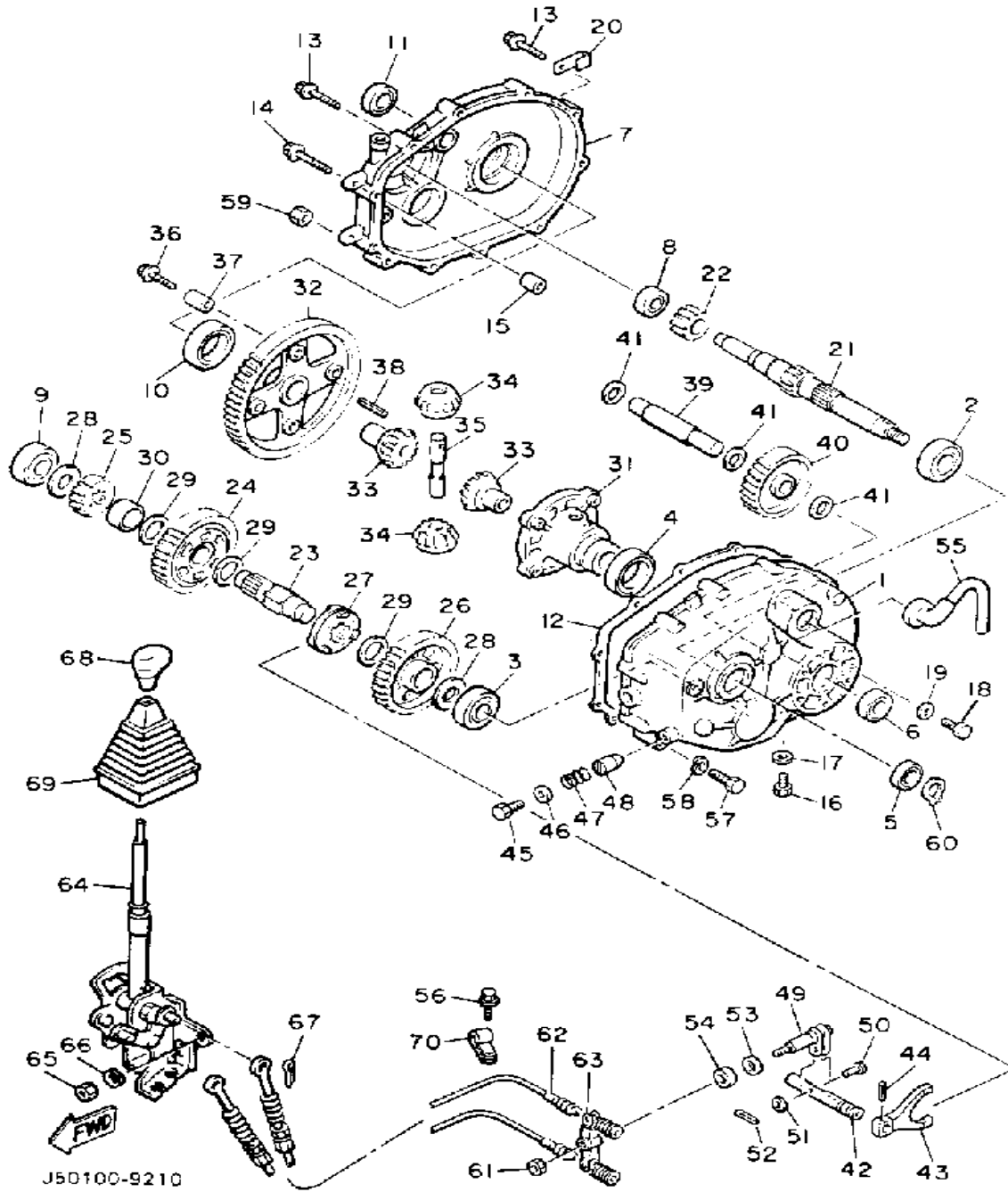
FWD
J50100-9190

SECONDARY SHEAVE



Ref. No.	Part Number	Description	Qty	Remarks
1	J55-G6260-00-00	SECONDARY FIXED SHEAVE COMP.	1	
2	J55-G6270-02-00	SECONDARY SLIDING SHEAVE COMP.	1	
3	93700-06M03-00	. NIPPLE, GREASE	1	
4	93102-20309-00	. SEAL, OIL	2	
5	J38-46284-00-00	SEAT, SEC SPRING	1	
6	801-17688-10-00	SHOE, RAMP	3	
7	90508-45679-00	SPRING, TORSION	1	
8	90202-20130-00	WASHER, PLAIN	1	
9	90280-05022-00	KEY, WOODRUFF	1	
10	90201-12588-00	WASHER, PLATE	1	
11	95601-12200-00	NUT, SELF-LOCKING	1	
12	91401-25030-00	PIN, COTTER	1	

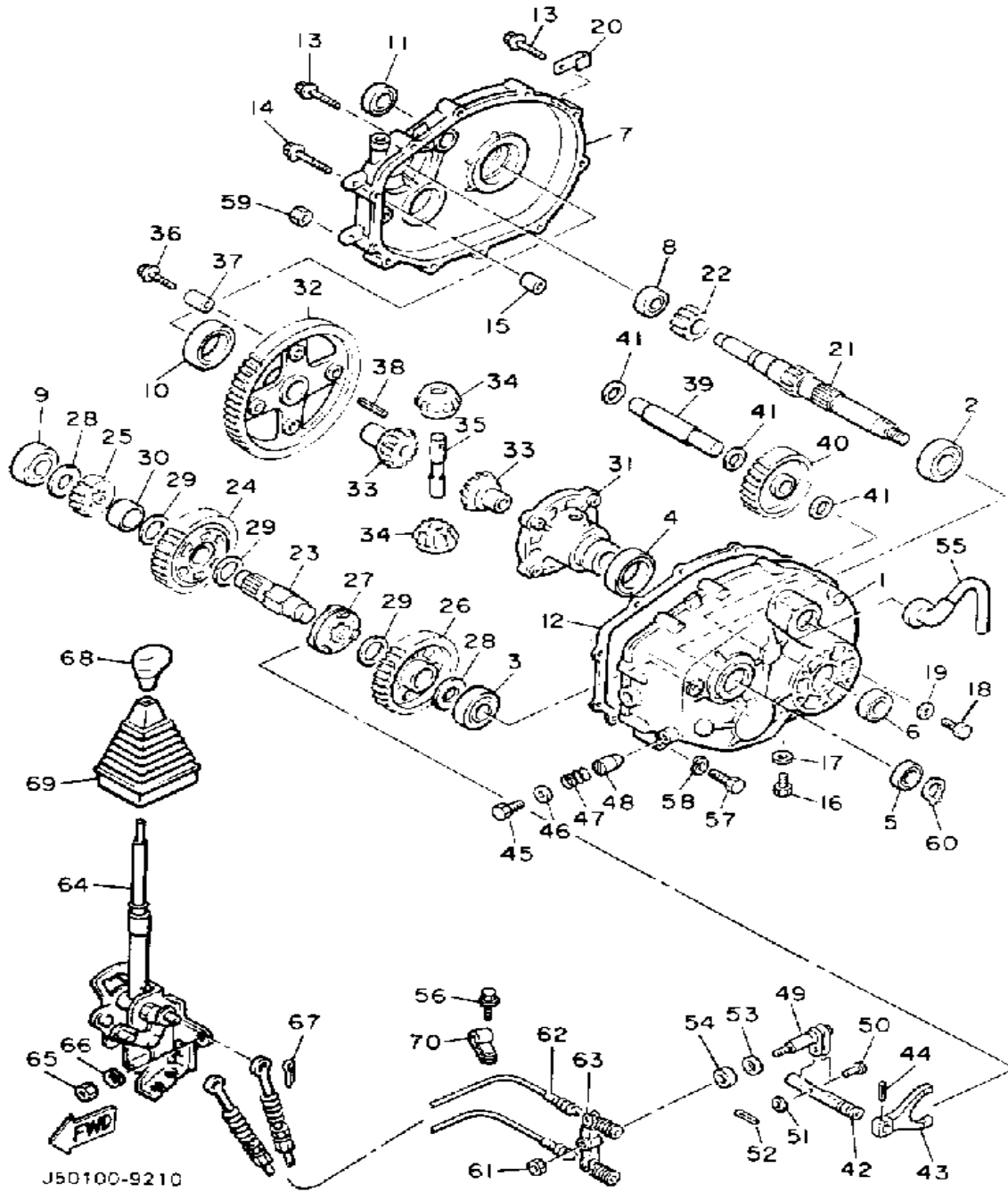
TRANSMISSION



Ref. No.	Part Number	Description	Qty	Remarks
1	J38-46311-00-00	CASE, TRANSMISSION 1	1	
2	93306-20541-00	BEARING (B6205)	1	
3	93306-20421-00	BEARING	1	
4	93306-00803-00	BEARING (B6008)	1	
5	93102-25017-00	OIL SEAL	1	
6	93102-22189-00	OIL SEAL	1	
7	J38-46312-00-00	CASE, TRANS 2	1	
8	93306-20324-00	BEARING	1	
9	93306-20421-00	BEARING	1	
10	93306-00803-00	BEARING (B6008)	1	
11	93102-22189-00	OIL SEAL	1	
12	J38-46319-01-00	GASKET	1	
13	95811-08040-00	BOLT, FLANGE	7	
14	95811-08050-00	BOLT, FLANGE (95812-08050)	2	
15	99510-12016-00	PIN, DOWEL	2	
16	90340-14036-00	PLUG, STRAIGHT SCRW	1	
17	90430-14043-00	GASKET	1	
18	90101-08344-00	BOLT	1	
19	90201-08087-00	WASHER, PLATE	1	
20	90465-06100-00	CLAMP	1	
21	J38-46321-02-00	SHAFT, INPUT	1	
22	J38-46331-01-00	GEAR, INPUT 1	1	
23	J38-46351-00-00	SHAFT, COUNTER	1	
24	J38-46361-01-00	GEAR, COUNTER 1	1	
25	J38-46362-00-00	GEAR, COUNTER 2	1	
26	J38-46363-00-00	GEAR, REVERSE	1	
27	J38-4636A-00-00	DOG, CLUTCH	1	
28	90201-204K8-00	WASHER, PLATE	2	
29	90201-257J2-00	WASHER, PLATE	3	

CONTINUED ON NEXT FRAME ►

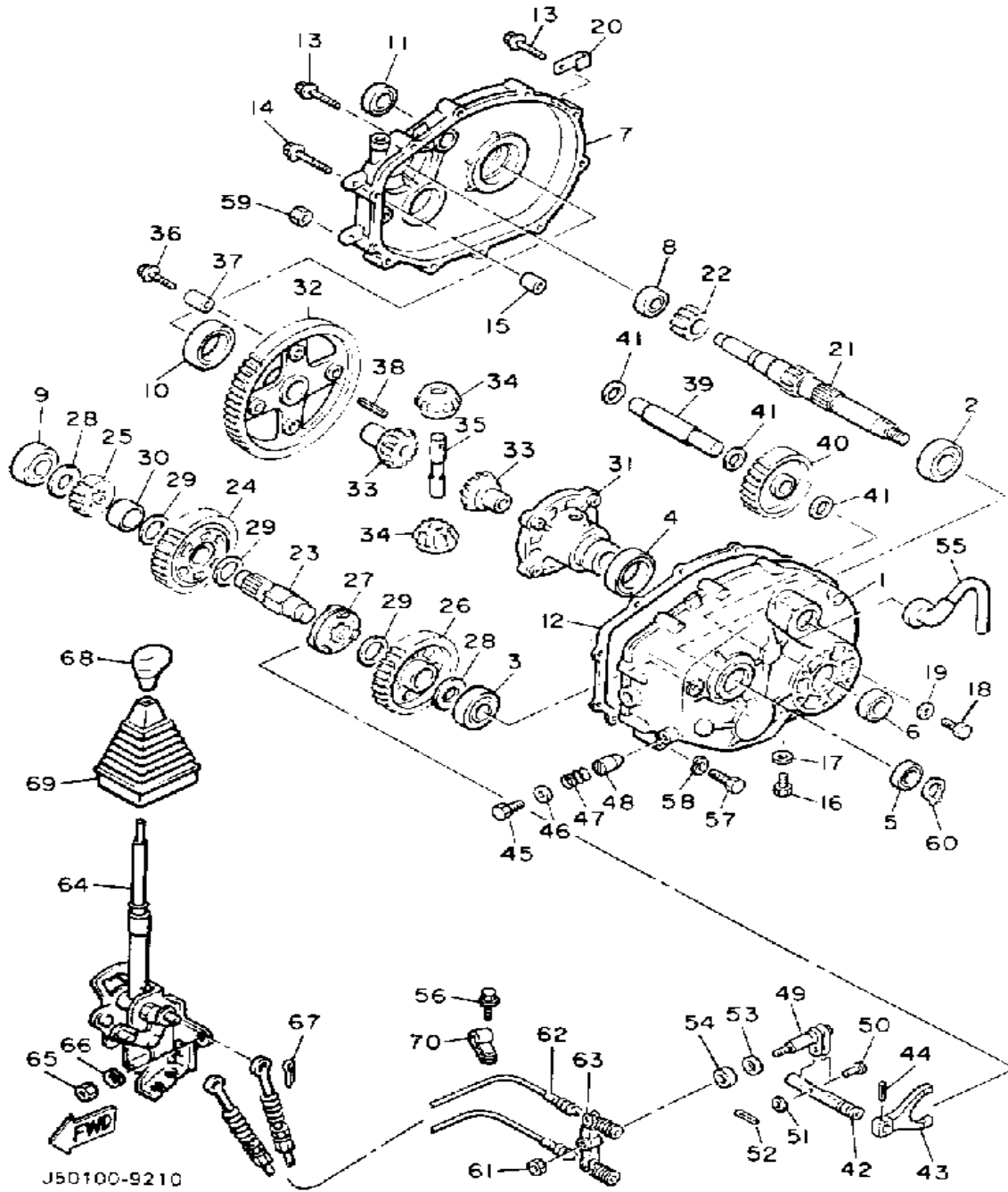
TRANSMISSION



Ref. No.	Part Number	Description	Qty	Remarks
30	90387-252M8-00	COLLAR	1	
31	J38-46411-01-00	CASE, DIFFERENTIAL	1	
32	J38-46421-01-00	GEAR, RING	1	
33	J38-46414-00-00	GEAR, DIFFERENTIAL SIDE	2	
34	J38-46415-00-00	PINION, DIFFERENTIAL	2	
35	J38-46417-02-00	PIN, DIFFERENTIAL	1	
36	90105-08390-00	BOLT, WASHER BASED	4	
37	91812-16001-00	PIN, DOWEL	2	
38	91609-40040-00	PIN, SPRING	1	
39	J38-46348-00-00	SHAFT 2	1	
40	J38-46356-00-00	GEAR, IDLER	1	
41	90201-17713-00	WASHER, PLATE	3	
42	J38-4633A-00-00	BAR, SHIFT FORK GUIDE	1	
43	J38-46338-00-00	FORK, SHIFT	1	
44	91609-40020-00	PIN, SPRING	1	
45	90101-08344-00	BOLT	1	
46	90201-08087-00	WASHER, PLATE	1	
47	90501-10060-00	SPRING, COMPRESSION	1	
48	90249-07215-00	PIN	1	
49	J38-46384-00-00	LEVER, SHIFT 3	1	
50	91701-06022-00	PIN, CLEVIS	1	
51	92990-06200-00	WASHER	1	
52	91490-20020-00	PIN, COTTER	1	
53	90201-12166-00	WASHER, PLATE	1	
54	93102-12224-00	OIL SEAL	1	
55	835-47559-00-00	CAP 2	1	
56	95811-08040-00	BOLT, FLANGE	1	
57	97022-08075-00	BOLT	1	
58	92990-08100-00	WASHER	1	

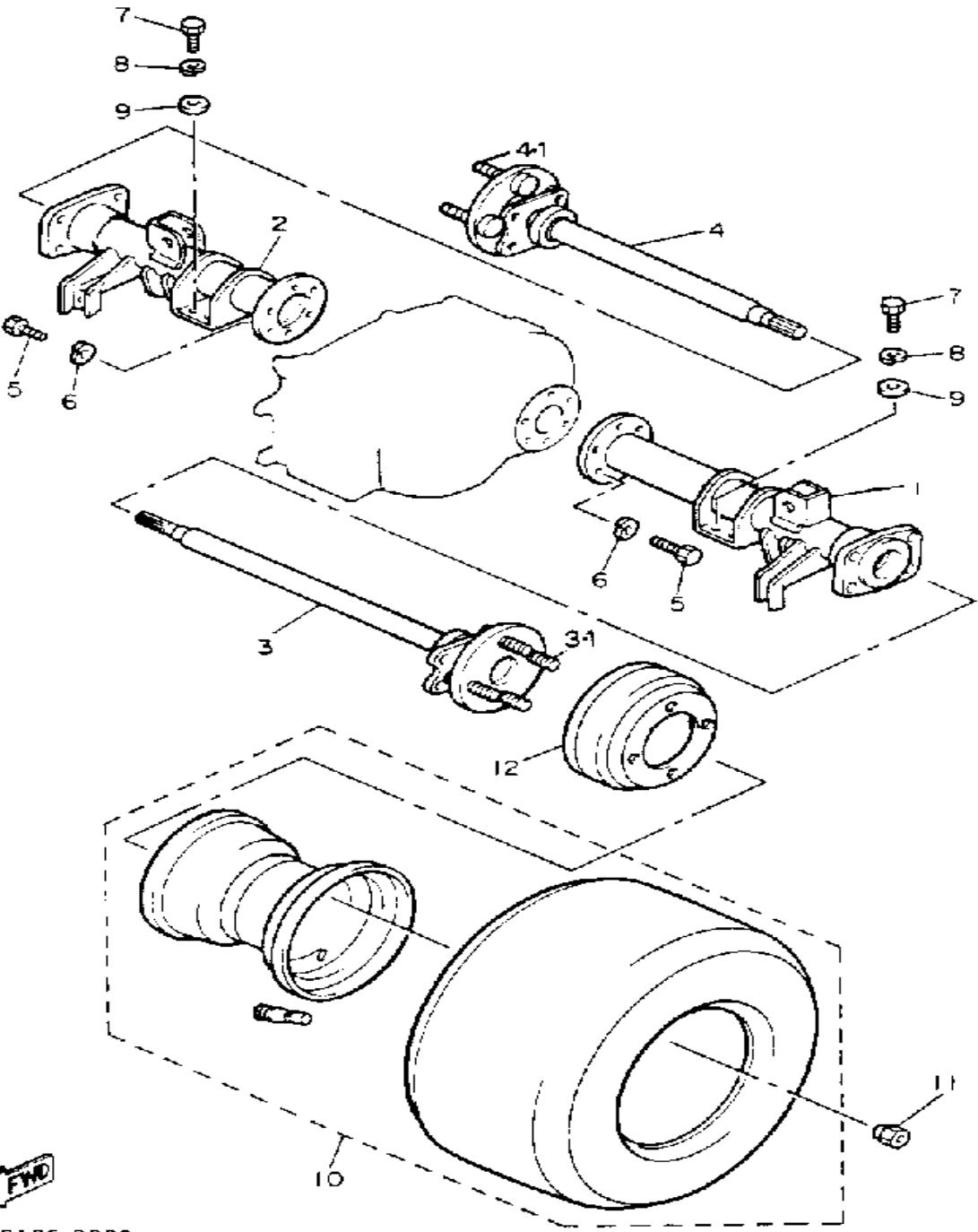
CONTINUED ON NEXT FRAME ►

TRANSMISSION



Ref. No.	Part Number	Description	Qty	Remarks
59	95333-08600-00	NUT	1	
60	93410-25017-00	CIRCLIP	1	
61	95611-08100-00	NUT, U	1	
62	J50-G6371-00-00	WIRE, SHIFT	2	
63	J55-G6383-00-00	LEVER, SHIFT	1	
64	J50-46382-00-00	LEVER, SHIFT 1	1	
65	95333-08600-00	NUT	3	
66	92990-08100-00	WASHER	3	
67	91490-20020-00	PIN, COTTER	2	
68	7Y6-52625-00-00	KNOB	1	
69	J50-46394-00-00	JOINT	1	
70	90461-08106-00	CLAMP	1	

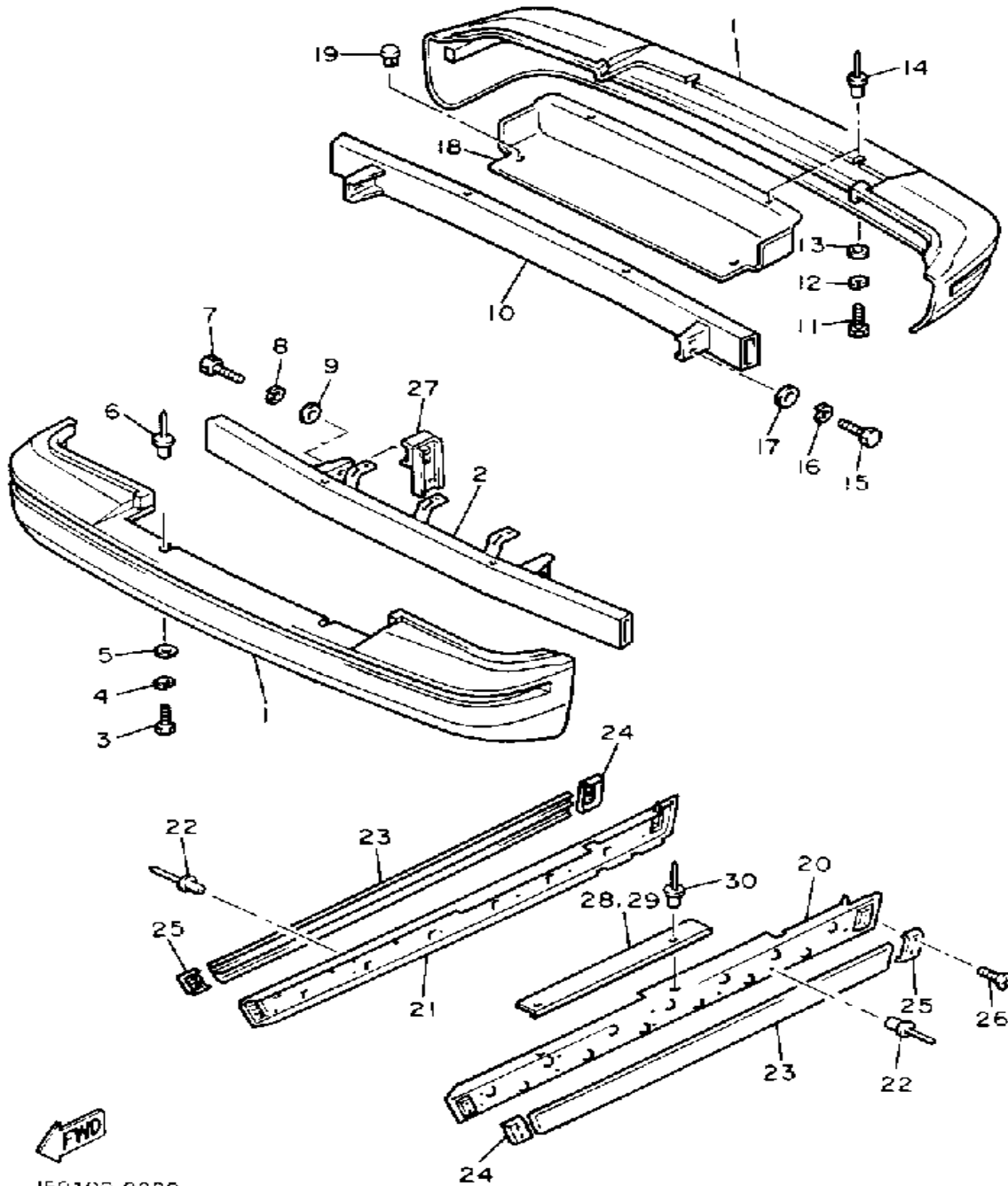
REAR AXLE - WHEEL



J50100-9220

Ref. No.	Part Number	Description	Qty	Remarks
1	J50-46540-00-00	R.AXLE HOUSING 1	1	
2	J50-46550-00-00	R.AXLE HOUSING 2COMP. 2	1	
3	J50-46510-00-00	REAR AXLE SHAFT 1	1	
4	J50-46520-00-00	REAR AXLE SHAFT 2	1	
5	97312-08025-00	BOLT (97012-08025)	12	
6	92990-08100-00	WASHER	12	
7	97011-10020-00	BOLT	8	
8	92901-10100-00	WASHER, SPRING	8	
9	92990-10600-00	WASHER, PLATE	8	
10	*---	FRONT WHEEL ASSEMBLY	2	LM (SEE NOTE)
11	90179-12262-00	NUT	8	
12	J55-G6521-00-00	DRUM	2	
3-1	90114-12004-00	. BOLT, RIBBED NECK	4	
4-1	90114-12004-00	. BOLT, RIBBED NECK	4	

BUMPER

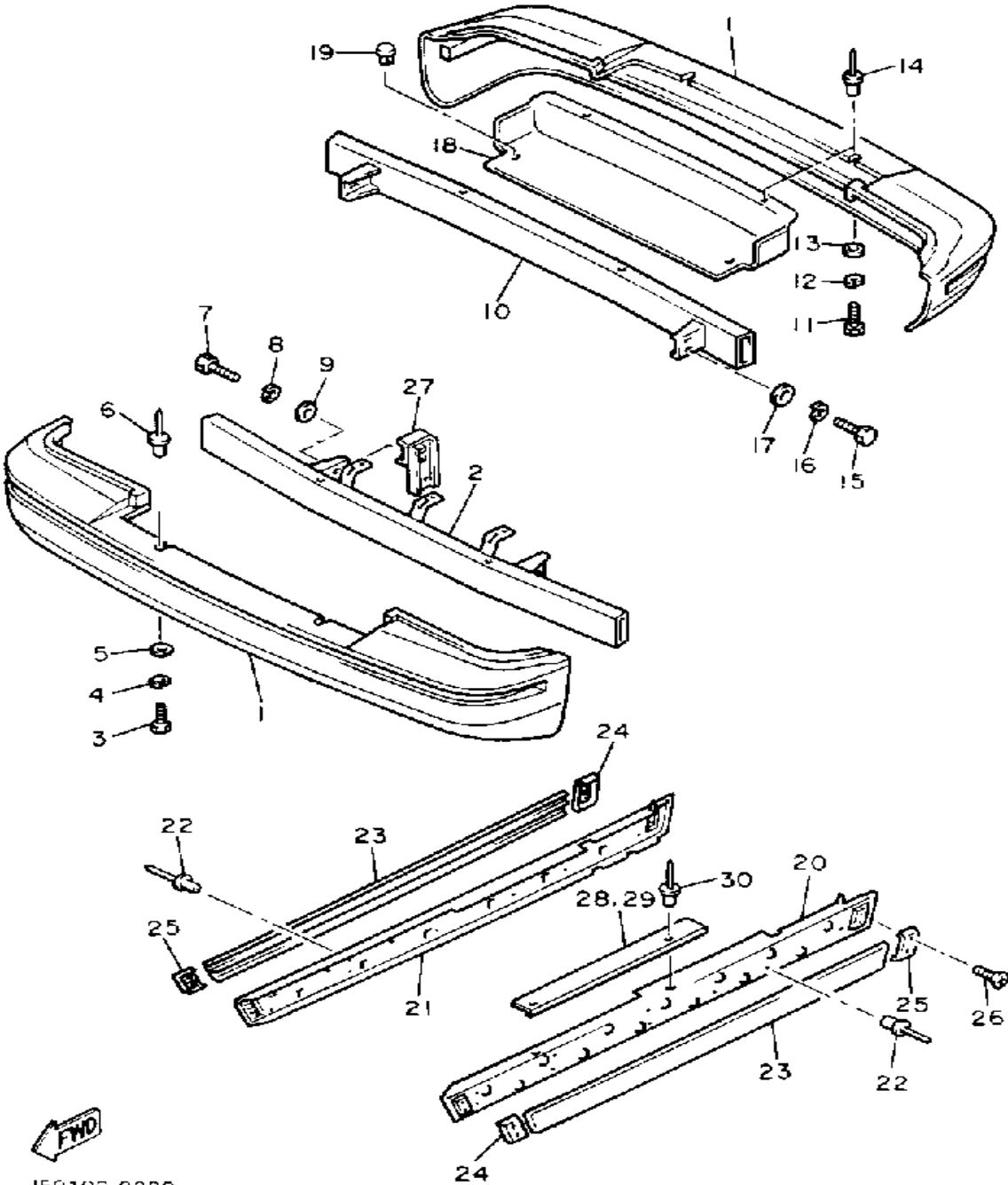


J50100-9230

Ref. No.	Part Number	Description	Qty	Remarks
1	J50-K8163-01-00	COVER, FRONT BUMPER (J50-K8163-00)	2	
2	J50-K7511-01-00	BUMPER, FRONT 1 (J50-K7511-00)	1	
3	97395-06020-00	BOLT, HEXAGON	2	
4	92995-06100-00	WASHER, SPRING	2	
5	90201-06697-00	WASHER, PLATE	2	
6	90267-47150-00	RIVET, BLIND	2	
7	97313-08020-00	BOLT, HEXAGON	8	
8	92990-08100-00	WASHER	8	
9	92990-08600-00	WASHER, PLATE	8	
10	J50-K7541-01-00	BUMPER, REAR 1 (J50-K7541-00)	1	
11	97395-06020-00	BOLT, HEXAGON	2	
12	92995-06100-00	WASHER, SPRING	2	
13	90201-06697-00	WASHER, PLATE	2	
14	90267-47150-00	RIVET, BLIND	2	
15	97313-08020-00	BOLT, HEXAGON	4	
16	92990-08100-00	WASHER	4	
17	92990-08600-00	WASHER, PLATE	4	
18	J50-K7551-00-00	PROTECTOR 1	1	
19	90267-63047-00	RIVET, BLIND	3	
20	J50-WK811-00-00	PLATE, SD.SL.KIT-LH	1	
21	J50-WK812-00-00	PLATE, SD.SL.KIT-RH	1	
22	90267-48139-00	RIVET, BLIND	16	
23	J55-K818A-00-00	PROTECTOR, SIDE PLT	2	
24	J38-7818E-00-00	CAP, PROTECT.END 1	2	
25	J38-7818F-00-00	CAP, PROTECT.END 2	2	
26	98606-06014-00	SCREW, OVAL HEAD (92606-06014)	8	

CONTINUED ON NEXT FRAME ►

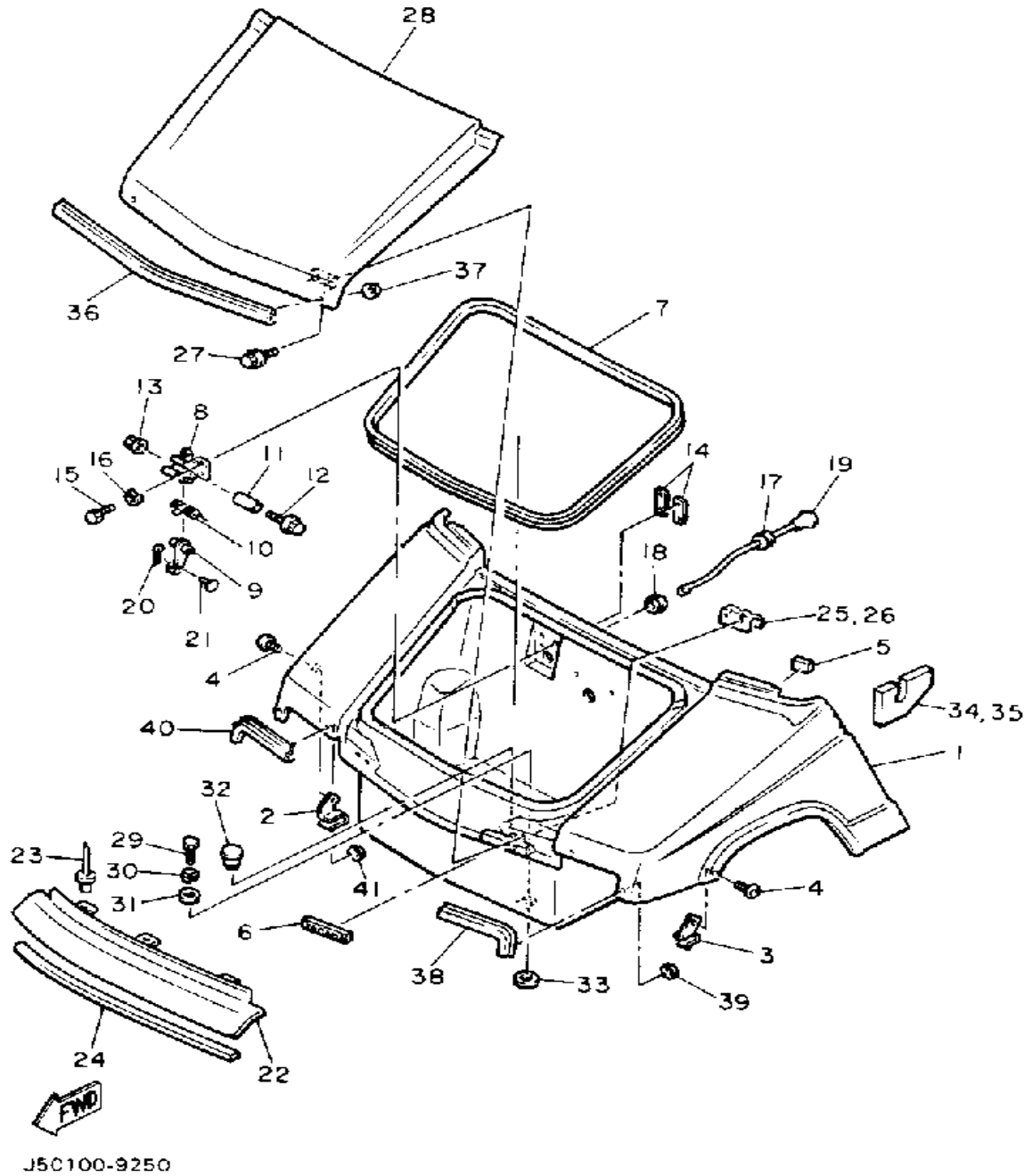
BUMPER



J50100-9230

Ref. No.	Part Number	Description	Qty	Remarks
27	J50-F251G-00-00	SUPPORT, FRT.BUMPER	2	
28	J50-78215-00-00	PLATE, SIDE TRIM	1	
29	J50-7821F-00-00	PLATE, SIDE TRIM	1	
30	90267-40054-00	RIVET, BLIND	4	

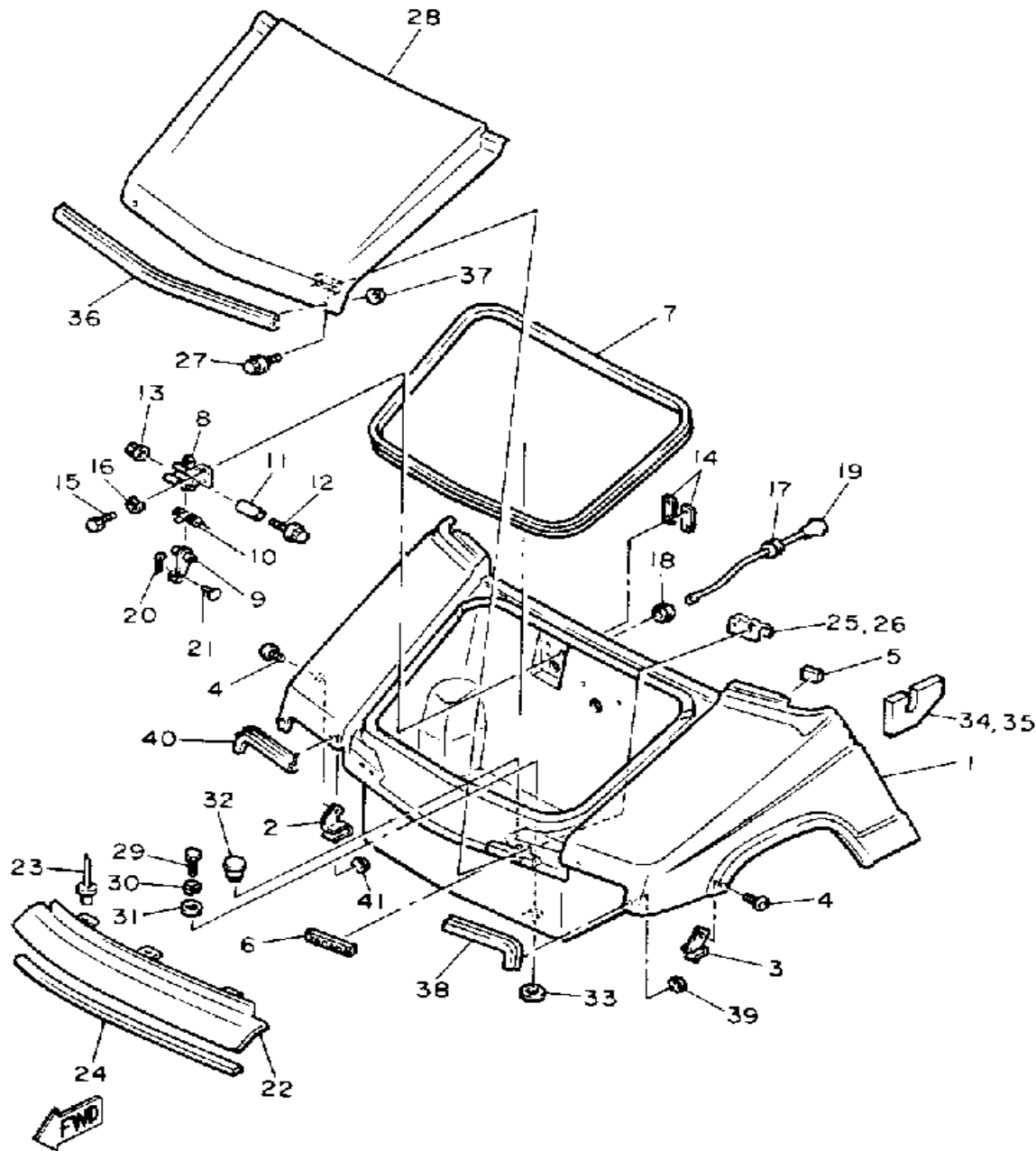
BODY



Ref. No.	Part Number	Description	Qty	Remarks
1	J50-K819A-00-00	SHELL, FRNT.STORAGE	1	
2	J50-77532-00-00	BRACKET, FRONT R	1	
3	J50-77533-00-00	BRACKET, REAR L	1	
4	90110-06102-00	BOLT, HEXAGON SOCKET HEAD	2	
5	J50-78248-00-00	SEAL 4	2	
6	25G-21578-00-00	EMBLEM	1	
7	J50-7815G-00-00	SEAL, FRONT STORAGE	1	
8	J50-7814W-00-00	BRACKET, BODY LOCK	1	
9	J50-7814H-00-00	HOOK, BODY LOCK	1	
10	90508-15752-00	SPRING, TORSION	1	
11	90387-055U1-00	COLLAR	1	
12	90105-05126-00	BOLT, WASHER BASED	1	
13	95701-05500-00	NUT, FLANGE	1	
14	J50-78118-00-00	PLATE 2	2	
15	97001-05012-00	BOLT (97002-05012)	4	
16	92990-05100-00	WASHER, SPRING	4	
17	90480-12067-00	GROMMET	1	
18	90480-12480-00	GROMMET	1	
19	J50-7814G-00-00	LEVER, BODY LOCK	1	
20	90240-03089-00	PIN, CLEVIS	1	
21	91402-12018-00	PIN, COTTER	1	
22	J50-K8216-00-00	COVER, BUMPER GAP	1	
23	90267-48101-00	RIVET, BLIND	3	
24	J50-78316-00-00	DAMPER	2	
25	J50-78375-00-00	SUPPORT 1	1	
26	J50-78376-00-00	SUPPORT, 2	1	
27	95811-06016-00	BOLT, FLANGE (95822-06016)	4	
28	J50-K819E-00-00	LID, FRONT STORAGECOMP. (J50-K810E-00)	1	

CONTINUED ON NEXT FRAME ➤

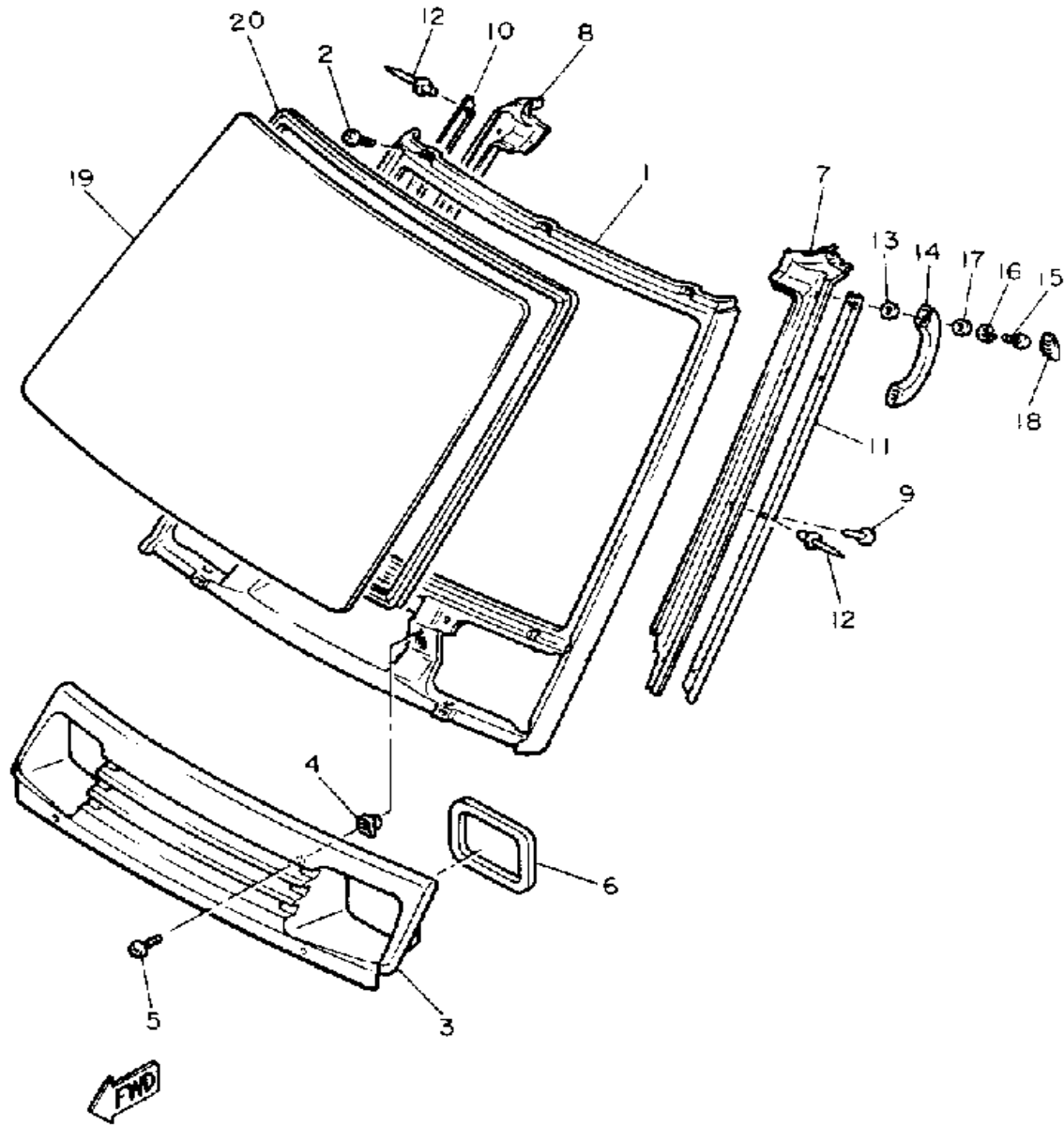
BODY



J5C100-9250

Ref. No.	Part Number	Description	Qty	Remarks
29	97313-08020-00	BOLT, HEXAGON	2	
30	92990-08100-00	WASHER	2	
31	90201-08748-00	WASHER, PLATE	2	
32	90338-24112-00	PLUG, SPEC'L SHAPE	1	
33	90202-09194-00	WASHER, PLATE	2	
34	J50-7814E-00-00	SEAL, BODY SIDE 1	1	
35	J50-7814F-00-00	SEAL, BODY SIDE 2	1	
36	J50-7811A-00-00	TRIM, UPPER COWL	1	
37	90183-04005-00	NUT, SPRING	2	
38	J50-7816J-00-00	TRIM, FRONT BODY 1	1	
39	90183-04005-00	NUT, SPRING	2	
40	J50-7816K-00-00	TRIM, FRONT BODY 2	1	
41	90183-04005-00	NUT, SPRING	2	
	PNT-90000-K0-94	QRT, NEW WHITE 5		NEW WHITE

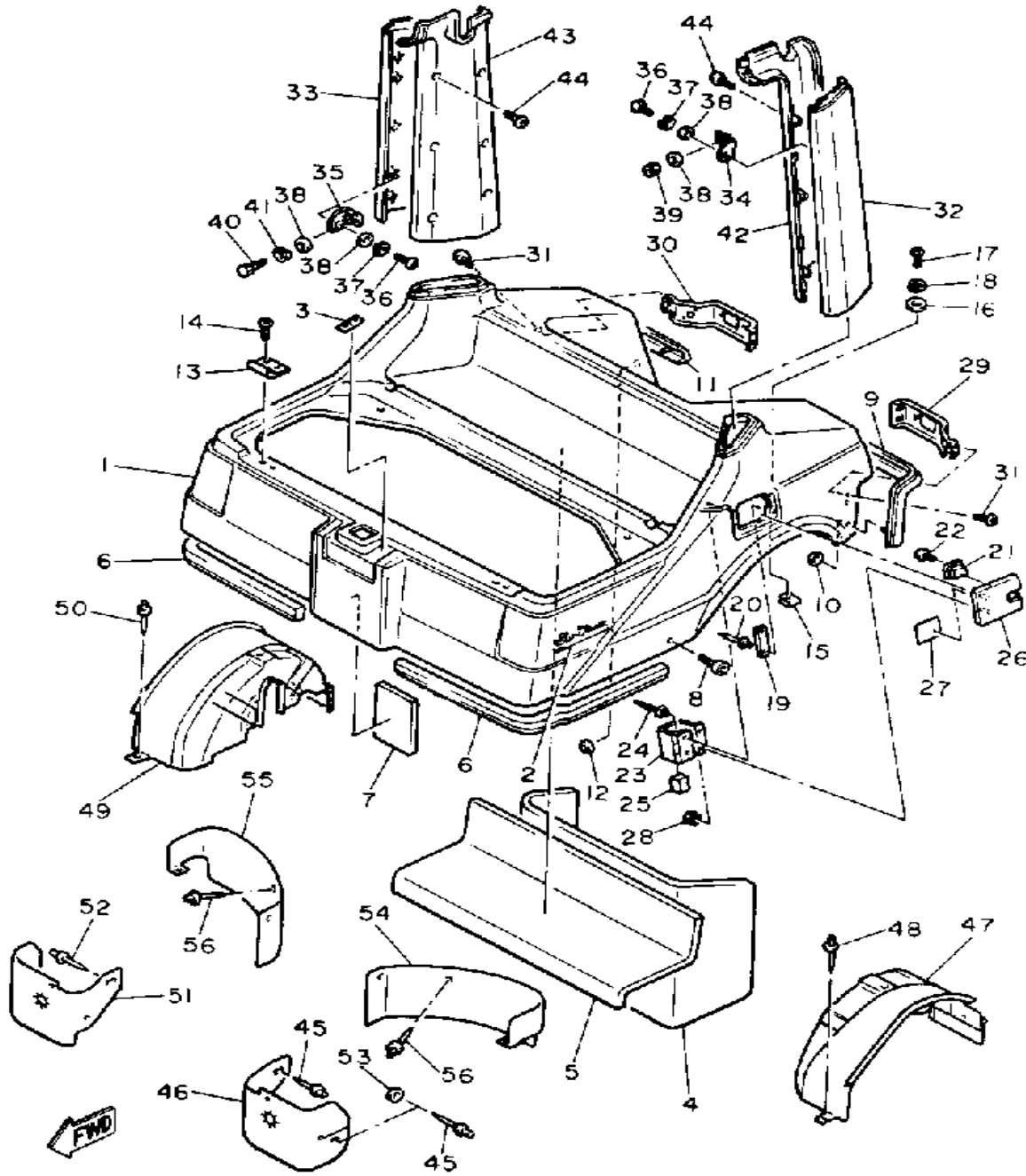
BODY 2



J50100-9260

Ref. No.	Part Number	Description	Qty	Remarks
1	J50-K811J-00-00	BASE, HEAD LIGHT	1	
2	98901-08016-00	SCREW, BIND	5	
3	J50-K7251-00-00	COVER, HEADLIGHT	1	
4	90183-06057-00	NUT, SPRING	4	
5	98906-06014-00	SCREW, BIND	4	
6	J50-7811L-00-00	TRIM, COWL SIDE 2	2	
7	J50-K817A-00-00	COVER, FRONT PILLAR	1	
8	J50-K817E-00-00	COVER, FRONT PILLAR	1	
9	90269-06063-00	RIVET, SPEC'L SHAPE	4	
10	J50-7817J-00-00	TRIM, SIDE PANEL 2	1	
11	J50-7817H-00-00	TRIM, SIDE PANEL 1	1	
12	90267-48059-00	RIVET, BLIND	8	
13	90201-05725-00	WASHER, PLATE	4	
14	J50-78214-01-00	GRIP, HAND	2	
15	98580-05016-00	SCREW, PAN HEAD	4	
16	92990-05100-00	WASHER, SPRING	4	
17	92901-05600-00	WASHER, PLATE	4	
18	J50-78274-00-00	COVER, HOLE 2	4	
19	J50-K7211-00-00	WINDSHIELD	1	
20	J50-77213-00-00	TRIM, UPPER	1	

BODY 3

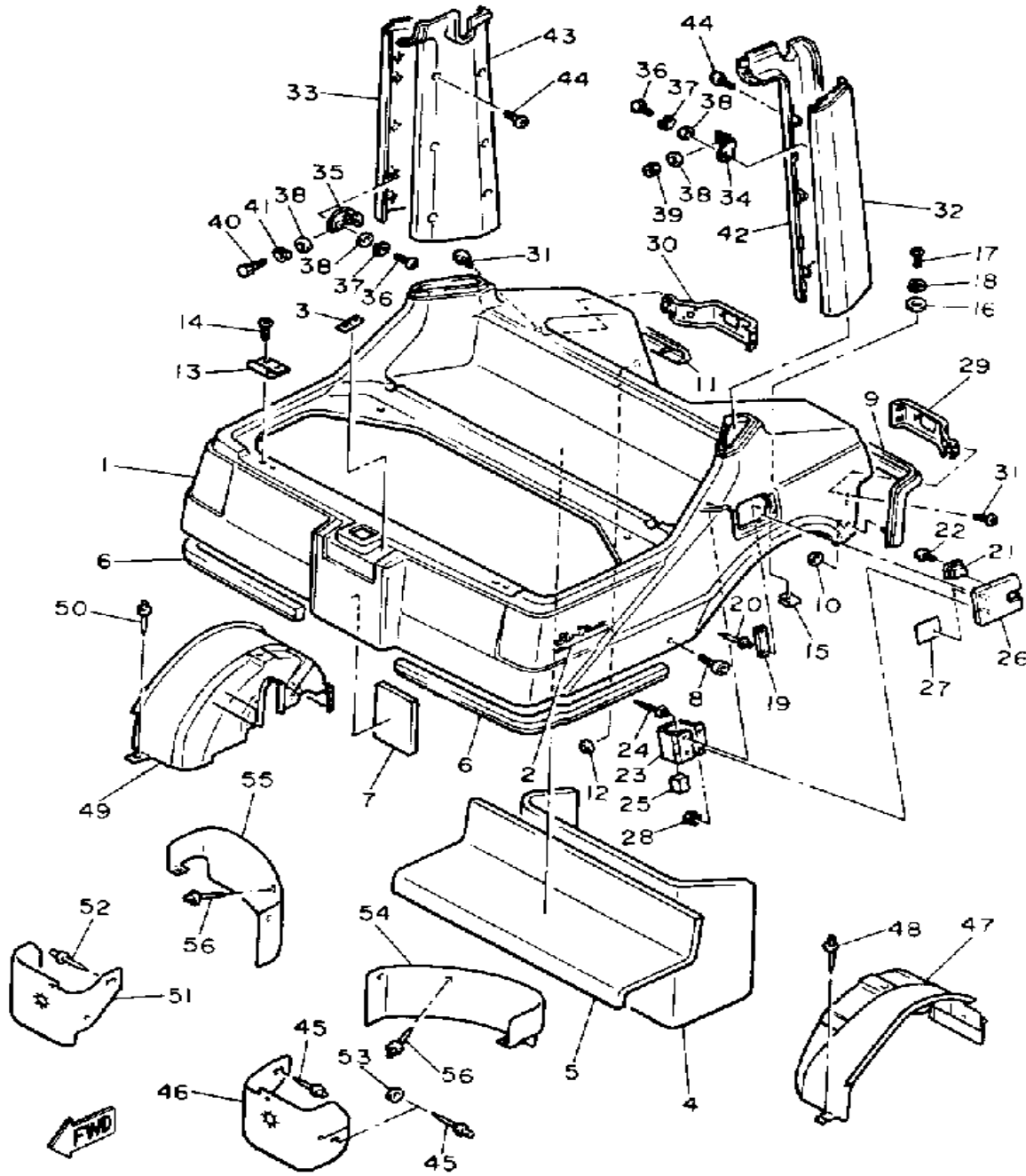


J50100-9270

Ref. No.	Part Number	Description	Qty	Remarks
1	J50-K8142-01-00	PANEL, REAR BODY (J50-K8142-00)	1	
2	J50-78291-01-00	EMBLEM 1	2	
3	J50-77743-00-00	INDICATOR 3	1	
4	J50-78251-00-00	PAD, SILENCER 1	1	
5	J50-78252-00-00	PAD, SILENCER 2	1	
6	J50-78253-00-00	PAD, SILENCER 3	2	
7	J50-78255-00-00	PAD, SILENCER 5	1	
8	90110-06102-00	BOLT, HEXAGON SOCKET HEAD	2	
9	J50-7824E-00-00	TRIM, REAR BODY 1	1	
10	90183-04005-00	NUT, SPRING	2	
11	J50-7824F-00-00	TRIM, REAR BODY 2	1	
12	90183-04005-00	NUT, SPRING	2	
13	J50-78427-00-00	HINGE, SEAT 2	2	
14	90151-06010-00	SCREW, COUNTERSUNK	4	
15	90183-06028-00	NUT, SPRING	2	
16	90201-06050-00	WASHER, PLATE	2	
17	98580-06020-00	SCREW	2	
18	92995-06100-00	WASHER, SPRING	2	
19	J50-7827A-00-00	GUIDE 1	1	
20	90267-40054-00	RIVET, BLIND	2	
21	1HX-21780-00-00	LOCK ASSEMBLY	1	
22	97706-40510-00	SCREW, TAPPING	2	
23	1HX-2849E-00-00	HINGE 4	1	
24	90267-40054-00	RIVET, BLIND	2	
25	J50-7826A-00-00	PAD BODY PROTECT 1	1	
26	J50-K8272-00-00	COVER, FUEL INLET	1	
27	J50-77764-01-00	LABEL, WARNING 4	1	

CONTINUED ON NEXT FRAME ►

BODY 3

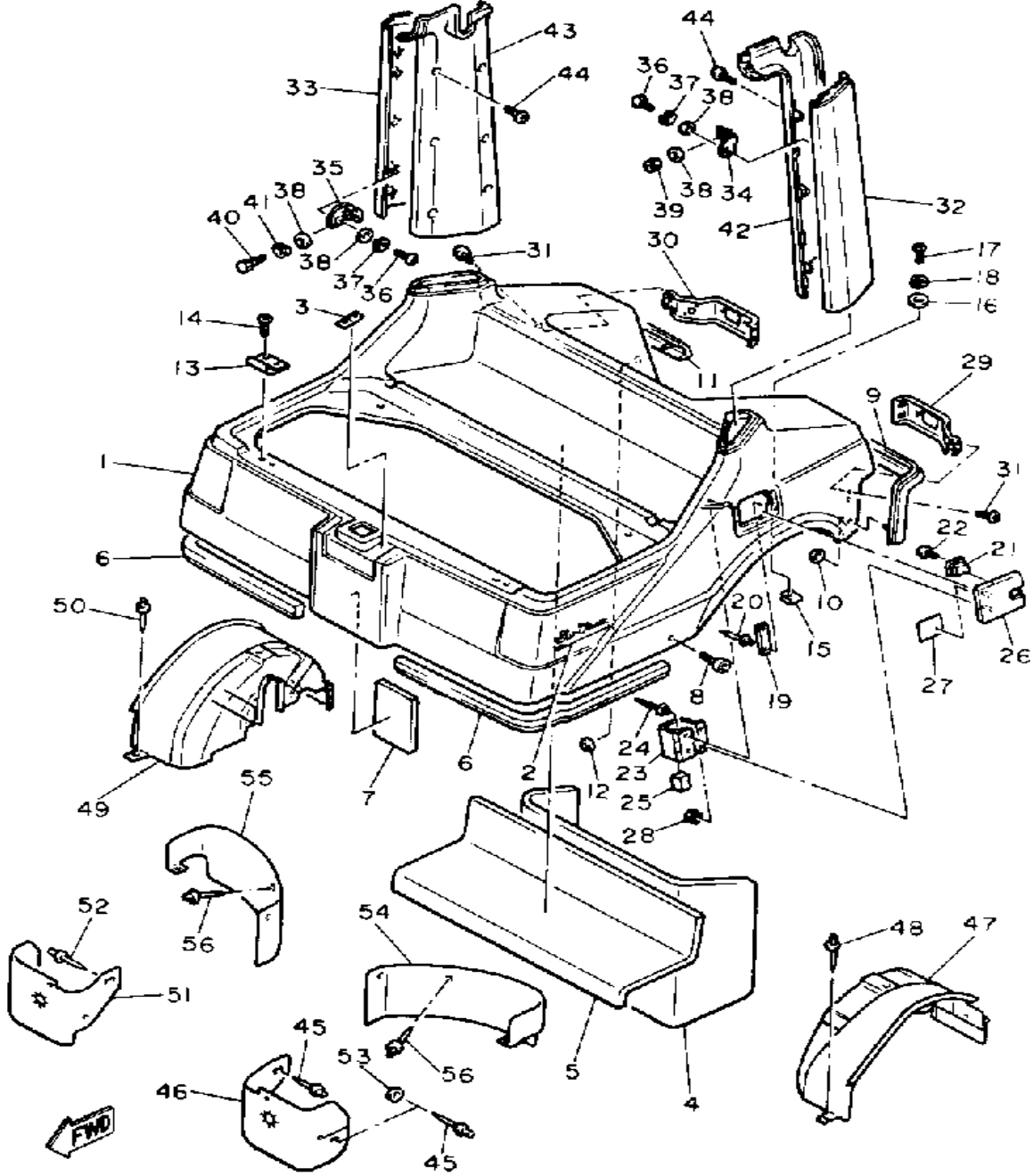


J50100-9270

Ref. No.	Part Number	Description	Qty	Remarks
28	95306-05600-00	NUT	2	
29	J50-H3368-00-00	STAY, FLASHER 1	1	
30	J50-H3369-00-00	STAY, FLASHER 2	1	
31	90110-06102-00	BOLT, HEXAGON SOCKET HEAD	8	
32	J50-K813F-00-00	COVER, SIDE PILLAR	1	
33	J50-K813G-00-00	COVER, SIDE PILLAR	1	
34	J50-7813W-00-00	BRACKET, COVER 1	4	
35	J50-7813X-00-00	BRACKET, COVER 2	4	
36	98580-06012-00	SCREW, PAN HEAD	8	
37	92995-06100-00	WASHER, SPRING	8	
38	92990-06200-00	WASHER	16	
39	95380-06600-00	NUT	2	
40	97013-06012-00	BOLT	6	
41	92995-06100-00	WASHER, SPRING	6	
42	J50-K817F-00-00	COVER, REAR PILLAR	1	
43	J50-K817G-00-00	COVER, REAR PILLAR	1	
44	97780-50612-00	SCREW, TAPPING	12	
45	90267-48141-00	RIVET, BLIND	2	
46	J50-7818K-00-00	FLAP, FRONT FENDER	1	
47	J50-K8191-00-00	PANEL, REAR FENDE 1	1	
48	90267-48104-00	RIVET, BLIND	3	
49	J50-K8192-00-00	PANEL, REAR FENDE 2	1	
50	90267-48104-00	RIVET, BLIND	3	
51	J50-78187-00-00	FLAP, FRONT FENDER	1	
52	90267-49152-00	RIVET, BLIND	2	
53	90201-05033-00	WASHER, PLATE	2	
54	J50-78185-00-00	EXT, FRONT FENDER 1FRONT FENDER 1	1	

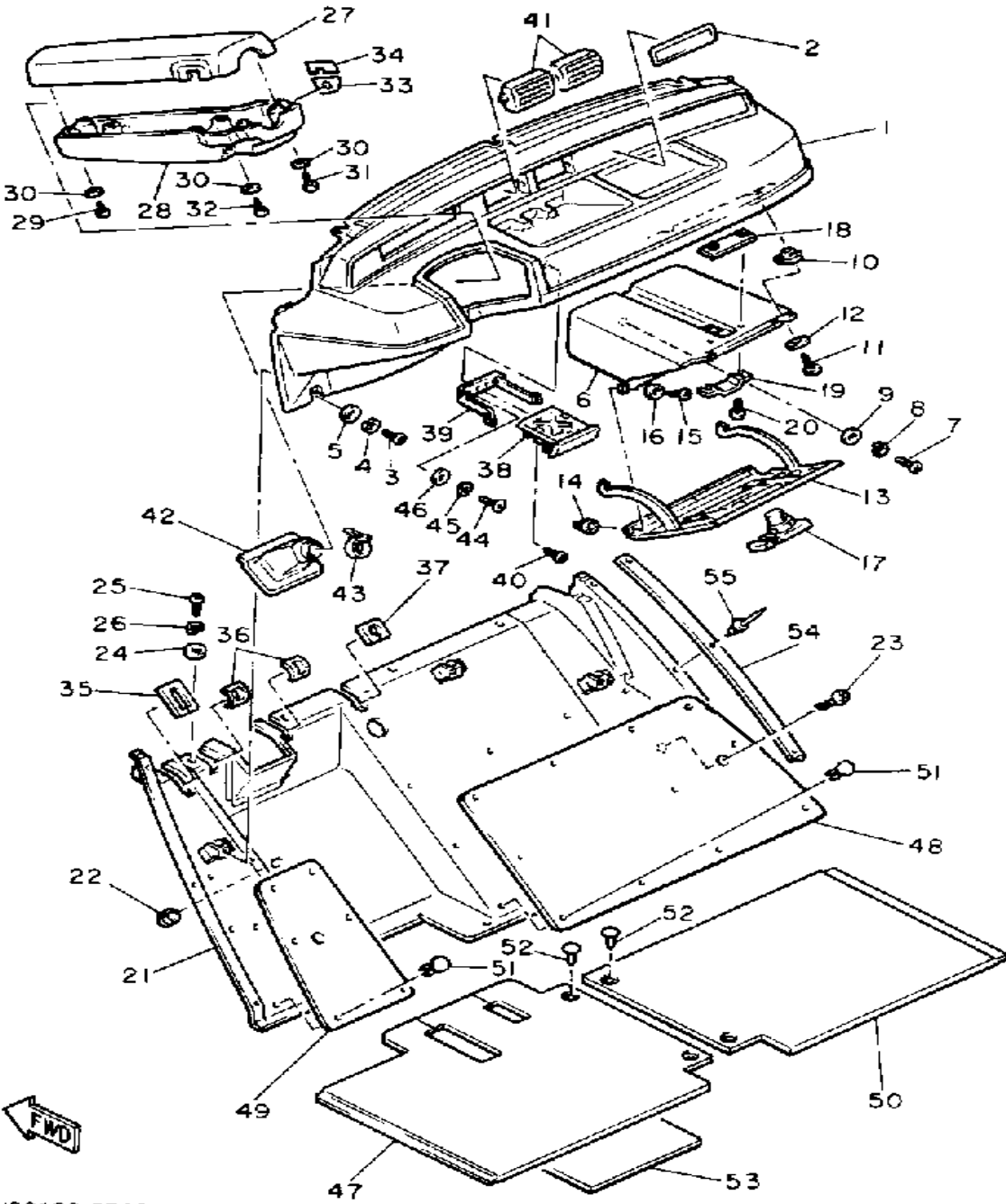
CONTINUED ON NEXT FRAME ►

BODY 3



Ref. No.	Part Number	Description	Qty	Remarks
55	J50-78186-00-00	EXT, FRONT FENDER 2FRONT FENDER 2	1	
56	90267-48101-00	RIVET, BLIND	6	
	PNT-90000-K0-94	QRT, NEW WHITE 5		NEW WHITE

INSTRUMENT PANEL

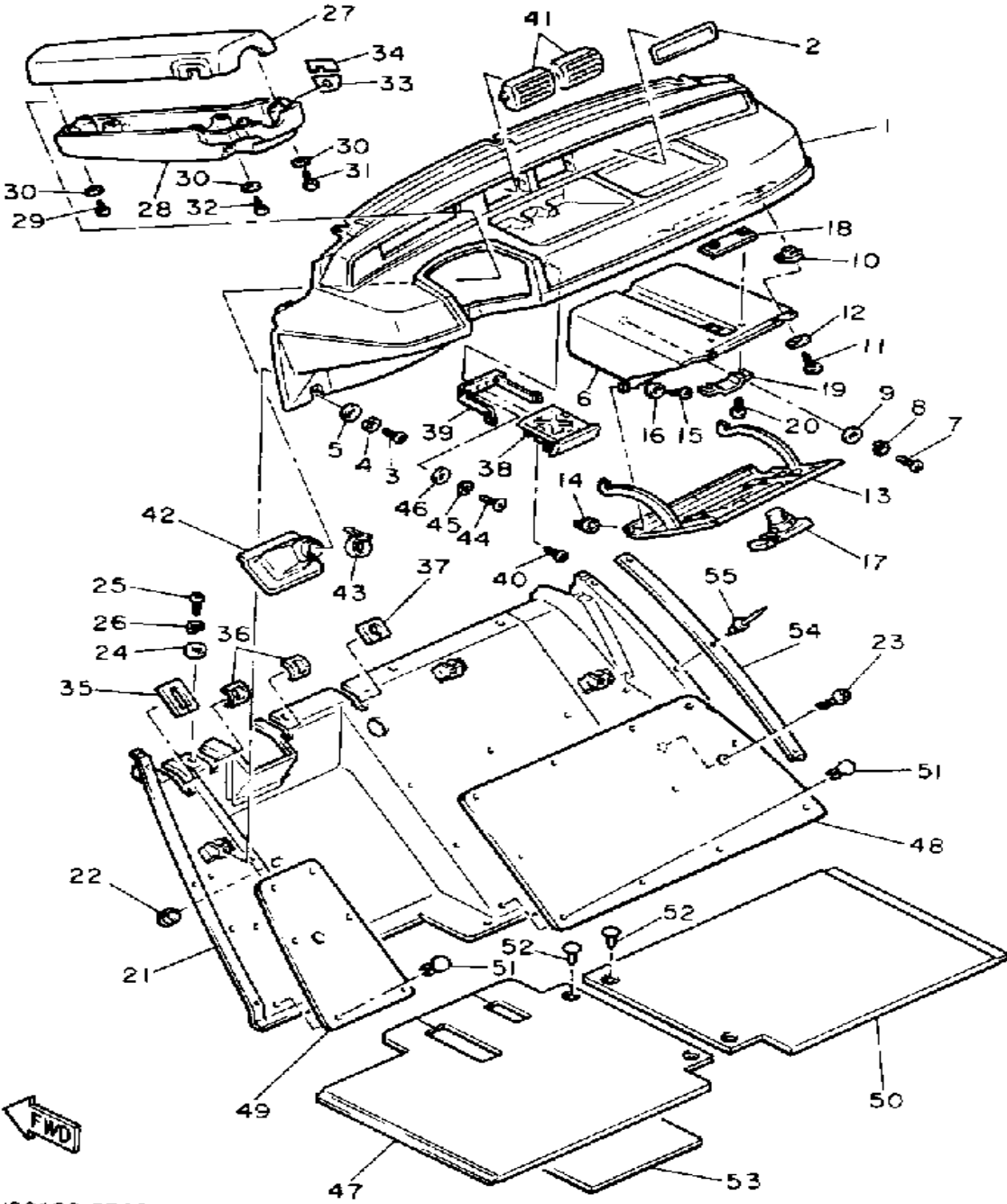


J50100-9240

Ref. No.	Part Number	Description	Qty	Remarks
1	J50-77711-00-00	PANEL, INSTRUMENT	1	
2	J50-77768-00-00	LABEL, WARNING 2	1	
3	98506-06016-00	SCREW, PANHEAD	6	
4	92906-06100-00	WASHER, SPRING	6	
5	90201-06059-00	WASHER, PLATE	6	
6	J50-K7735-00-00	BOX, GLOVE	1	
7	98506-06016-00	SCREW, PANHEAD	1	
8	92906-06100-00	WASHER, SPRING	1	
9	90201-06059-00	WASHER, PLATE	1	
10	90183-05050-00	NUT, SPRING	3	
11	97706-50520-00	SCREW, TAPPING	3	
12	90201-05721-00	WASHER, PLATE	3	
13	J50-K7736-00-00	LID, GLOVE BOX	1	
14	90269-08058-00	RIVET, SPEC'L SHAPE	3	
15	97706-50520-00	SCREW, TAPPING	3	
16	90201-05721-00	WASHER, PLATE	3	
17	35R-21708-01-00	SIDE CVR LOCK ASSEMBLY (J50-7773E-00)	1	
18	J50-77721-00-00	BRACKET 1	1	
19	J50-77728-00-00	WASHER	1	UN
20	98906-05016-00	SCREW, BIND	2	
21	J50-K7780-00-00	DASH PANEL ASSEMBLY	1	
22	90480-12529-00	GROMMET	1	
23	98906-06016-00	SCREW, BIND	2	
24	90201-06697-00	WASHER, PLATE	4	
25	98503-06014-00	SCREW, PAN HEAD (92502-06016)	4	
26	92995-06100-00	WASHER, SPRING	4	
27	J50-K7732-00-00	COVER, STEER SHFT 1	1	

CONTINUED ON NEXT FRAME ►

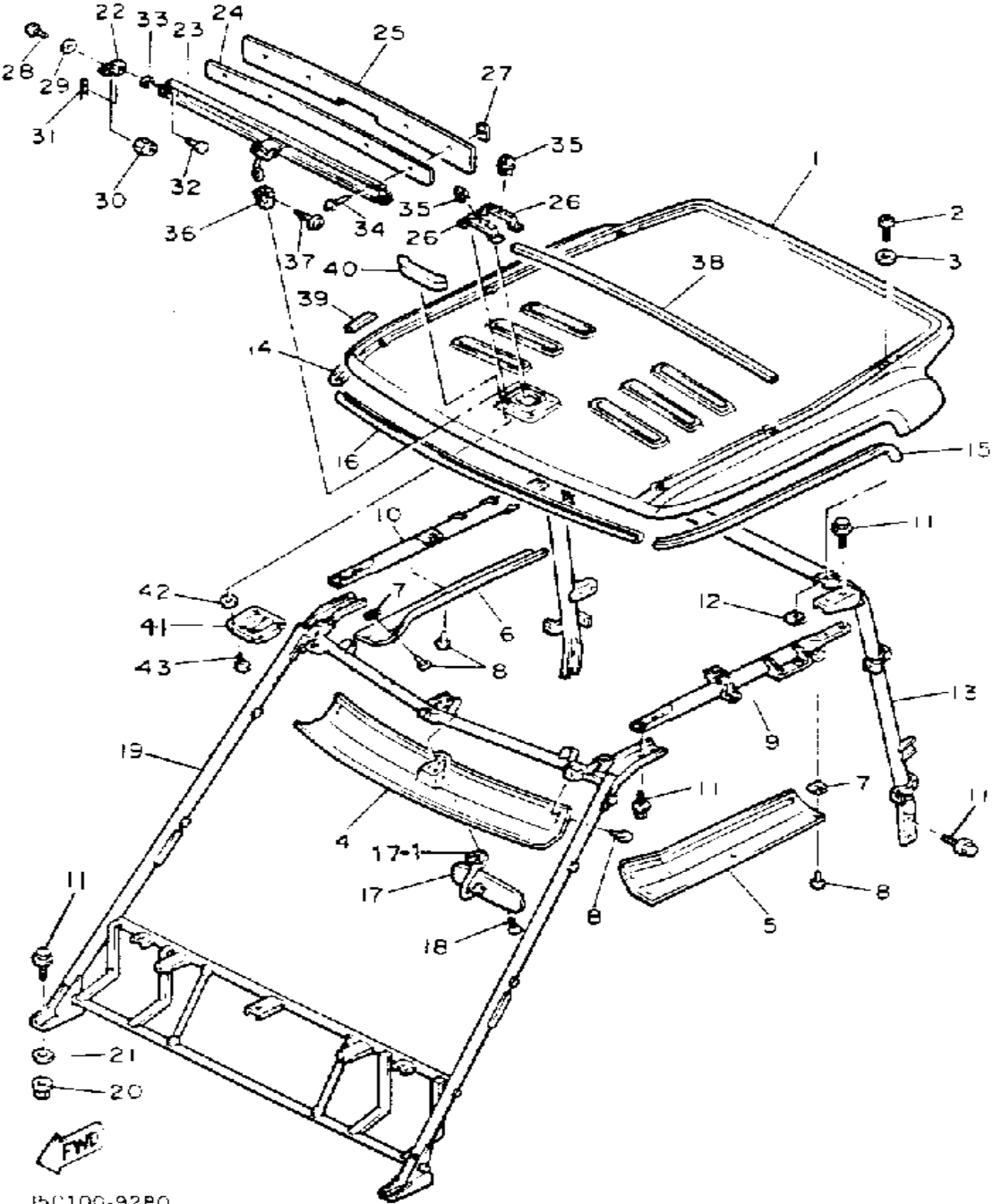
INSTRUMENT PANEL



J50100-9240

Ref. No.	Part Number	Description	Qty	Remarks
28	J50-K7733-00-00	COVER, STEER SHFT 2	1	
29	97780-50120-00	SCREW, TAPPING	2	
30	92901-05600-00	WASHER, PLATE	6	
31	97702-50130-00	SCREW, TAPPING	2	
32	97702-50540-00	SCREW, TAPPING	4	
33	J50-77741-00-00	INDICATOR 1	1	
34	J42-77742-00-00	INDICATOR 2	1	
35	J50-78245-00-00	SEAL 1	1	
36	J50-78246-00-00	SEAL, FLOOR 2	2	
37	J50-78247-00-00	SEAL 3	1	
38	J50-78280-00-00	ASH TRAY ASSEMBLY	1	
39	J50-78281-00-00	BRACKET, ASH TRAY 2	1	
40	98506-05010-00	SCREW, PAN HEAD	3	
41	J50-2837X-00-00	GRILL, AIR OUTLET 3	2	
42	J50-78283-00-00	COVER 3	1	
43	90465-13169-00	CALMP	1	
44	98580-05010-00	SCREW, PAN HEAD	2	
45	92990-05100-00	WASHER, SPRING	2	
46	92901-05600-00	WASHER, PLATE	2	
47	J50-K8231-00-00	MAT, MAIN FLOOR 1	1	
48	J50-K8232-00-00	MAT, MAIN FLOOR 2	1	
49	J50-K8233-00-00	MAT, MAIN FLOOR 3	1	
50	J50-K8234-00-00	MAT, MAIN FLOOR 4	1	
51	90267-63047-00	RIVET, BLIND	16	
52	90269-07064-00	RIVET	4	
53	J55-K8271-00-00	SERVICE LID, PEDAL	1	
54	J50-78261-00-00	PLATE, BODY PRTC 1	2	
55	90267-40131-00	RIVET, BLIND	6	

SUN ROOF

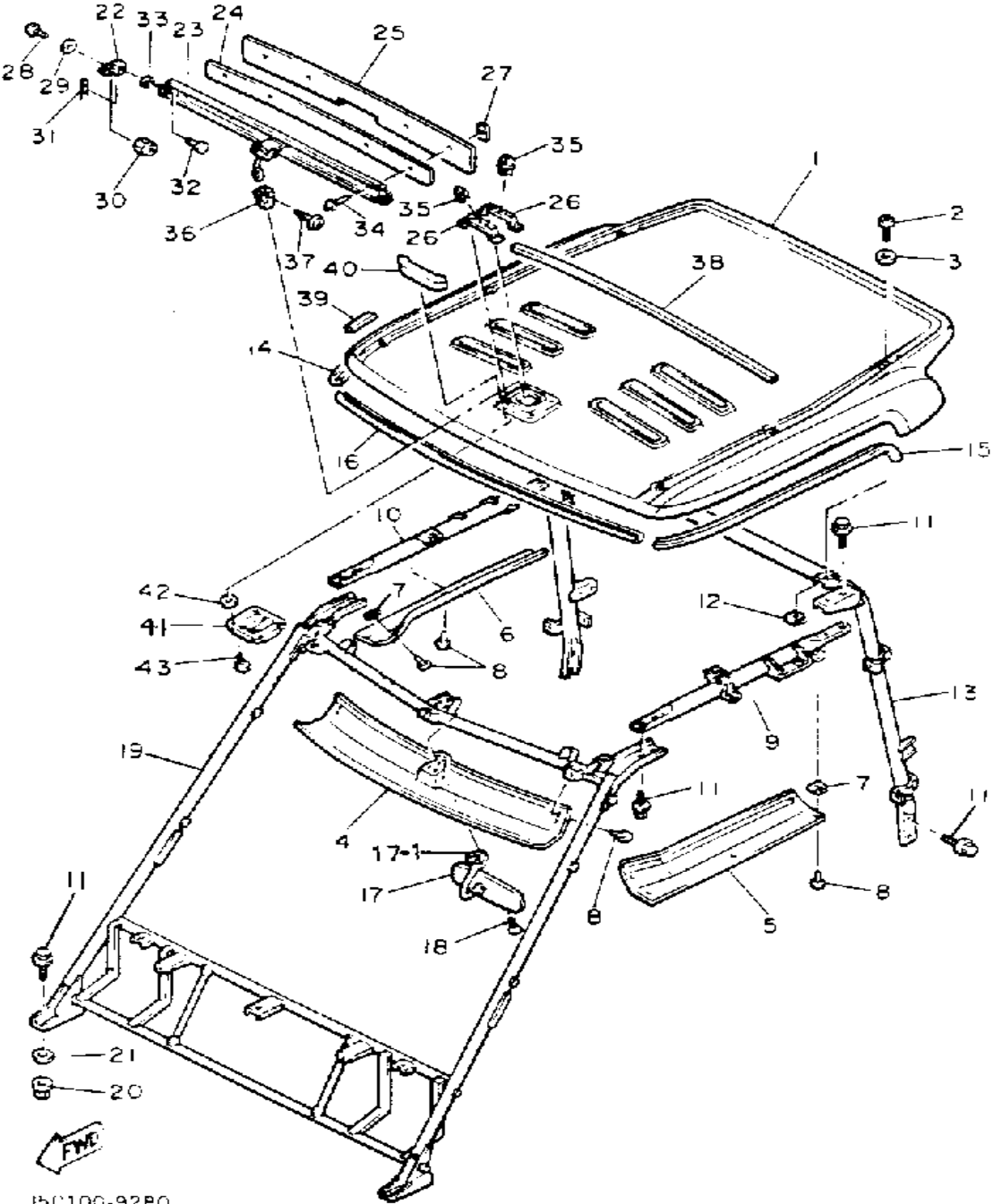


J50100-92B0

Ref. No.	Part Number	Description	Qty	Remarks
1	J50-K8314-00-00	COVER, SUN ROOF	1	
2	98980-08020-00	SCREW, BIND	6	
3	92990-08200-00	WASHER, PLAIN	6	
4	J50-K8312-00-00	SUPPORT, SUN ROO 1	1	
5	J50-K8313-00-00	SUPPORT, SUN ROO 2	1	
6	J50-K831A-00-00	SUPPORT, ROOF 3	1	
7	J50-78342-00-00	HOOK, SUPPORT	6	
8	90269-06063-00	RIVET, SPEC"L SHAPE	14	
9	J50-K831G-00-00	STAY, SUNROOF COVER	1	
10	J50-K831H-00-00	STAY, SUNROOF COVER	1	
11	95821-08020-00	BOLT, FLANGE (95801-08020)	16	
12	90183-08051-00	NUT, SPRING	2	
13	J50-K8311-00-00	FRAME, SUN ROOF	1	
14	J50-7831X-00-00	TRIM, ROOF 3	1	
15	J50-7831J-00-00	TRIM, ROOF	1	
16	J50-78315-00-00	TRIM, ROOF	1	
17	J50-26290-00-00	MIRROR ASSEMBLY ASS"Y (RIGHT)	1	
18	98586-05016-00	SCREW, PAN HEAD	3	
19	J50-K8301-00-00	FRAME COMP., ROOF	1	
20	95701-08500-00	NUT, FLANGE	4	
21	90201-084K3-00	WASHER, PLATE	4	
22	J50-7831L-00-00	REINFORCEMENT, ROOF ROOF SUPPORT 1	2	
23	J50-7834E-01-00	HOLDER COMP. 1	1	
24	J50-7831U-00-00	PLATE, ROOF	1	
25	J50-7831K-00-00	END, ROOF TRIM	1	
26	J50-7831R-00-00	HOOK, END 3	2	
27	J50-78344-00-00	RETAINER 2	4	

CONTINUED ON NEXT FRAME ►

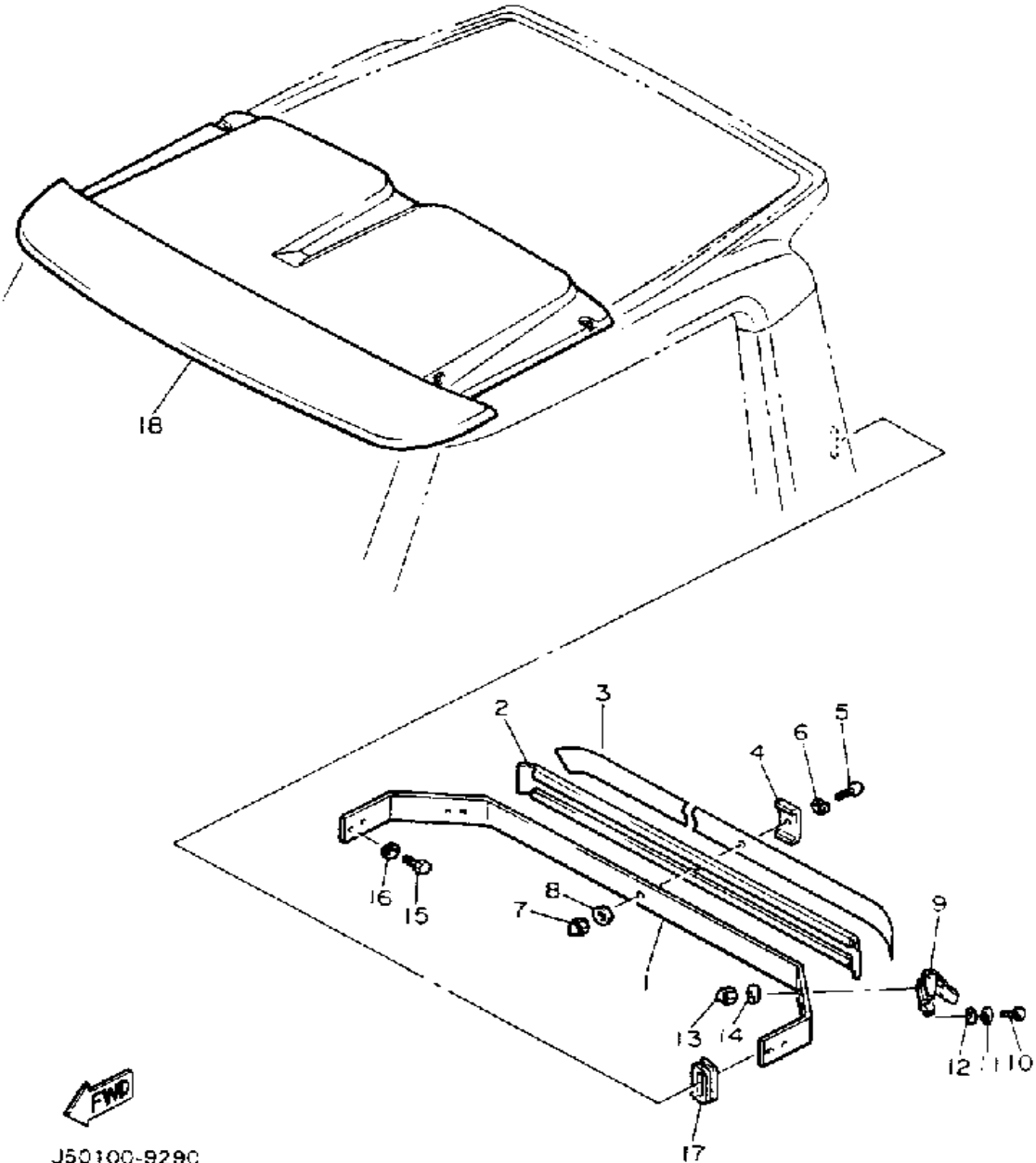
SUN ROOF



J50100-92B0

Ref. No.	Part Number	Description	Qty	Remarks
28	98980-06014-00	SCREW, BIND	2	
29	92990-06200-00	WASHER	2	
30	95780-06300-00	NUT, FLANGE	2	
31	90468-10050-00	CLIP	2	
32	90240-06005-00	PIN, CLEVIS	2	
33	90201-06050-00	WASHER, PLATE	2	
34	90267-48138-00	RIVET, BLIND	4	
35	J50-78358-00-00	HOLDER 2	2	
36	JA9-52625-00-00	KNOB	1	
37	98606-03016-00	SCREW, OVAL HEAD	2	
38	J50-7814A-00-00	SEAL, BODY UPPER	1	
39	J50-78316-00-00	DAMPER	2	
40	J50-78337-00-00	SEAL, SIDE WND/SHLD	1	
41	J50-7832F-00-00	GROMMET, ROOF SUP 1	1	
42	90201-05651-00	WASHER, PLATE	4	
43	90149-05282-00	SCREW, SPEC'L SHAPE	4	
17-1	J50-2628N-00-00	. BASE, MIRROR	1	

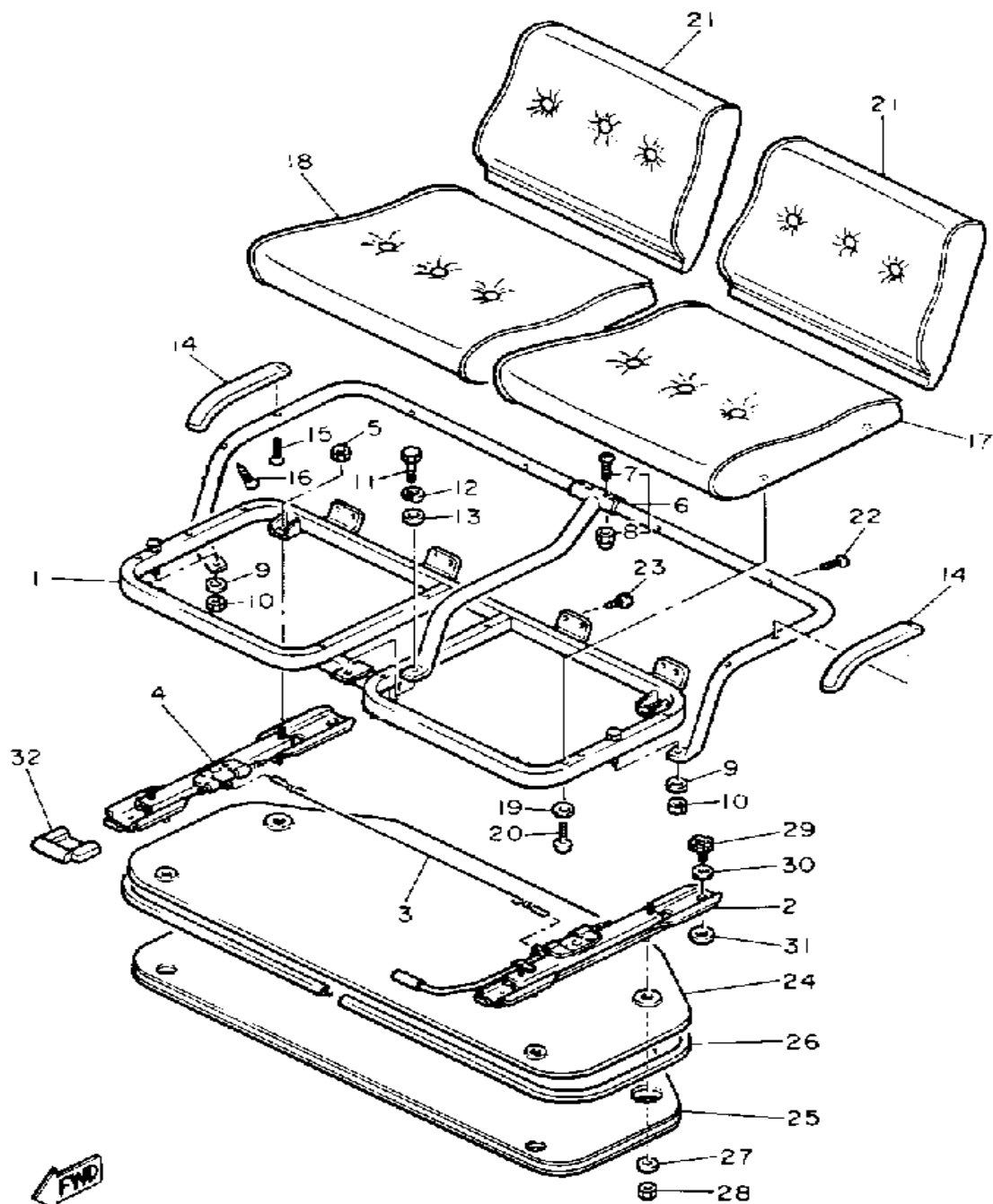
CARRIER



Ref. No.	Part Number	Description	Qty	Remarks
1	J50-78351-00-00	SUPPORT, BAG UPPER	1	
2	J50-78356-00-00	PAD, BAG SUPPORT	1	
3	J50-78355-00-00	BAND	1	
4	J38-78367-00-00	PLATE, ANCHOR	1	
5	98980-06020-00	SCREW, BIND	1	
6	92995-06100-00	WASHER, SPRING	1	
7	95380-06800-00	NUT	1	
8	92990-06200-00	WASHER	1	
9	J10-78380-00-00	LOCK ASSEMBLY	2	
10	98580-06016-00	SCREW, PAN HEAD	4	
11	92995-06100-00	WASHER, SPRING	4	
12	92990-06600-00	WASHER, PLATE	4	
13	95380-06800-00	NUT	4	
14	92990-06200-00	WASHER	4	
15	97011-08016-00	BOLT	4	
16	92990-08100-00	WASHER	4	
17	J50-7836F-00-00	GROMMET	2	
18	J50-7831F-00-00	SUPPORT, ROOF 5	1	

J50100-9290

SEAT

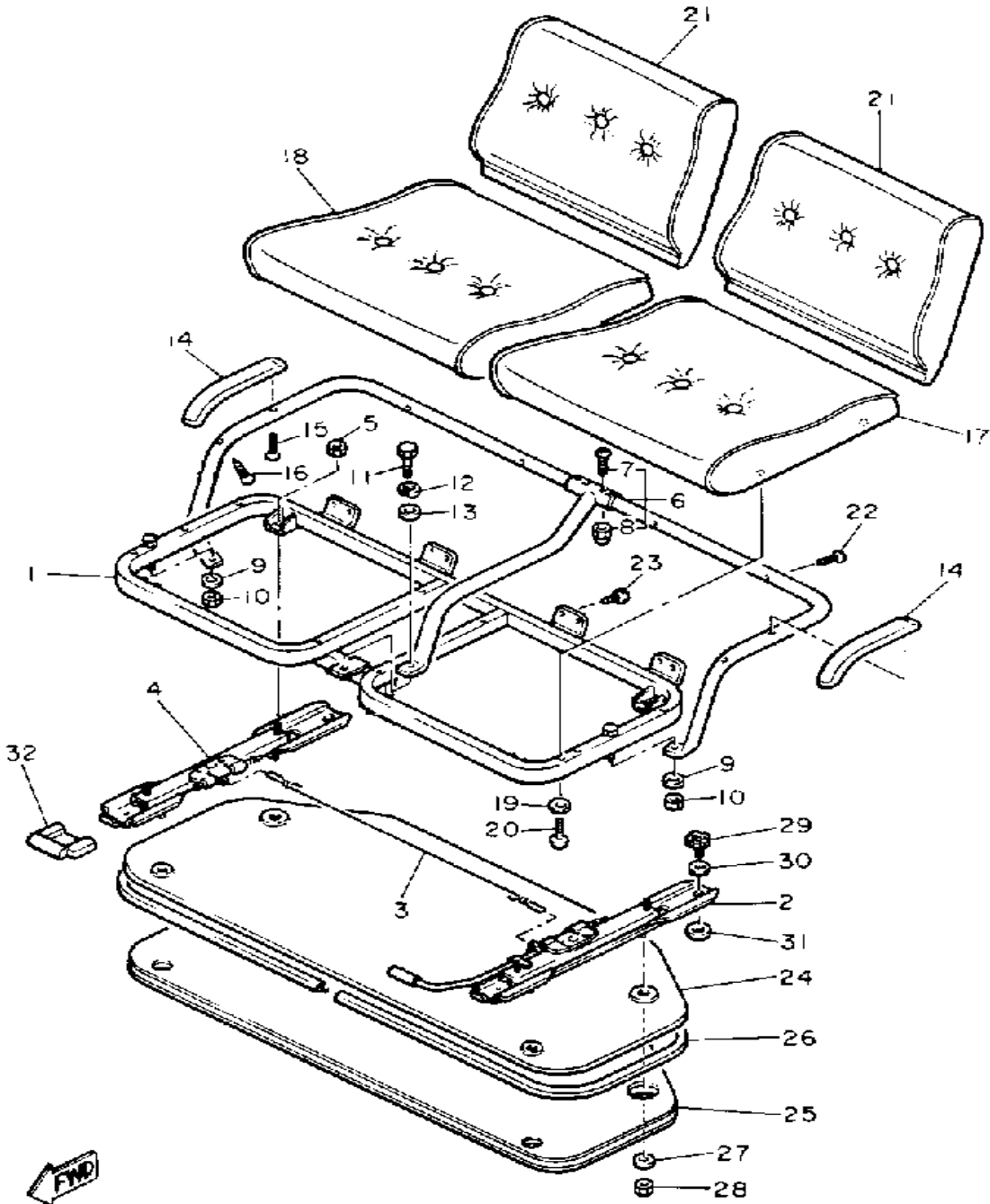


J50100-930C

Ref. No.	Part Number	Description	Qty	Remarks
1	J50-K8451-00-00	FRAME, SLIDE SEAT	1	
2	J50-78452-00-00	SEAT-ADJUSTER 1	1	
3	J50-78457-00-00	WIRE, ADJUSTER	1	
4	J50-78453-00-00	SEAT-ADJUSTER 2	1	
5	95333-08600-00	NUT	4	
6	J50-K8421-00-00	SUPPORT, SEAT	1	
7	98580-06035-00	. SCREW, PAN HEAD	4	
8	95380-06800-00	. NUT	4	
9	92990-08600-00	WASHER, PLATE	2	
10	95380-08600-00	NUT	2	
11	97011-08016-00	BOLT	1	
12	92990-08100-00	WASHER	1	
13	92990-08600-00	WASHER, PLATE	1	
14	J50-78361-00-00	ARM REST 1	2	
15	98680-05030-00	SCREW, OVAL HEAD	2	
16	97780-50330-00	SCREW, TAPPING	2	
17	J50-K8401-00-00	SEAT SB/ASSEMBLY, CSHN ..	1	
18	J50-K8403-00-00	SEAT SB/ASSEMBLY, CSH 2 .	1	
19	90201-065F3-00	WASHER, PLATE	8	
20	98580-06545-00	SCREW PAN HEAD (92503-06045)	8	
21	J50-K8402-00-00	SEAT SB/ASSEMBLY, BACK ..	2	
22	90152-06017-00	SCREW, COUNTERSUNK	4	
23	90149-059U1-00	SCREW, PANHEAD (97701-50516)	8	
24	J50-K8414-00-00	PLATE, SEAT BOTTOM	1	
25	J50-78254-00-00	PAD, SILENCER 4	1	
26	J50-78425-01-00	SEAL, SEAT	1	
27	92990-08600-00	WASHER, PLATE	4	

CONTINUED ON NEXT FRAME ►

SEAT

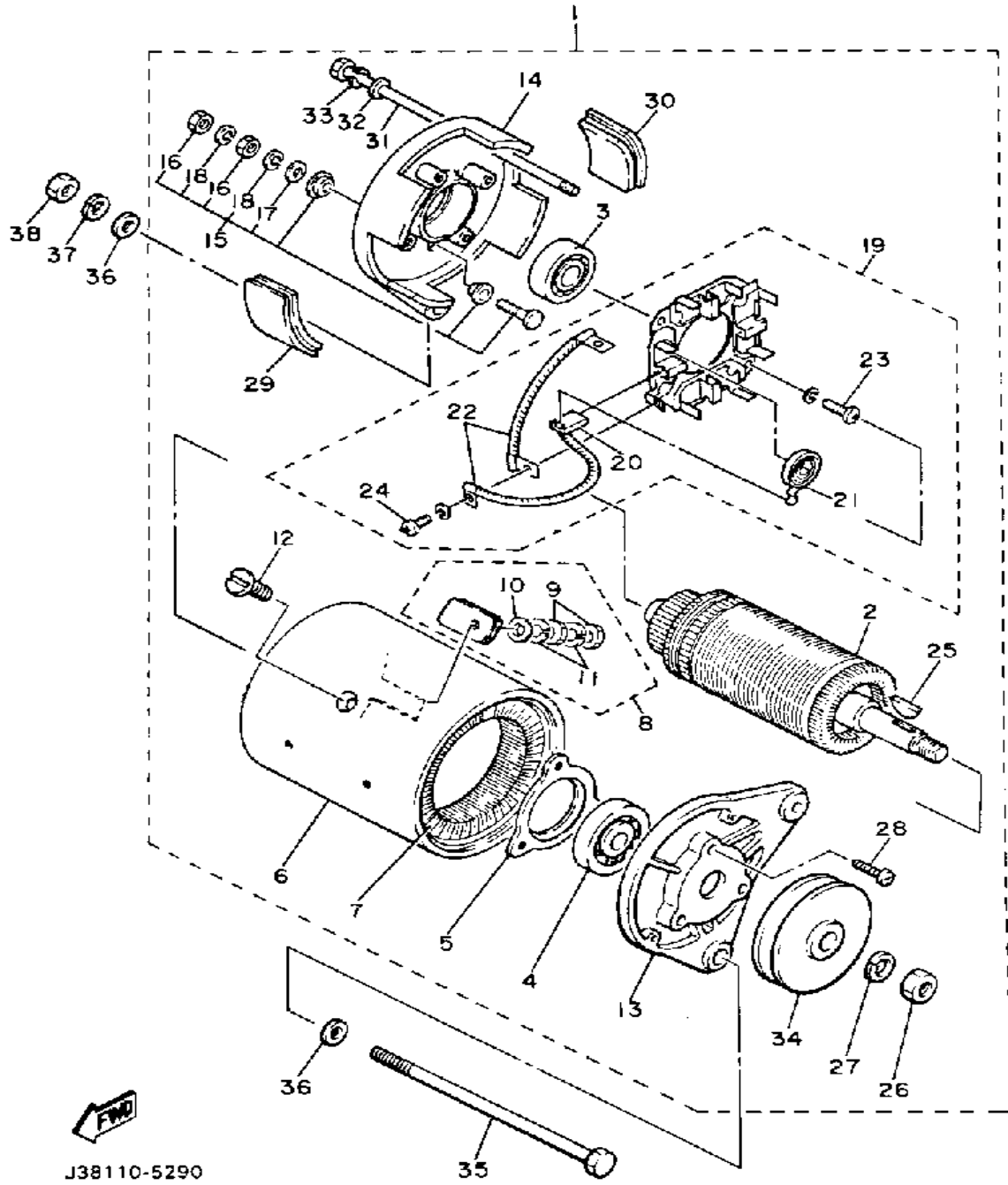


Ref. No.	Part Number	Description	Qty	Remarks
28	95380-08600-00	NUT	4	
29	J50-78417-00-00	KNOB, PLATE SEAT	2	
30	90201-08795-00	WASHER, PLATE	2	
31	90201-105H3-00	WASHER, PLATE	2	
32	J50-78139-00-00	CAP, END	2	



J50100-930C

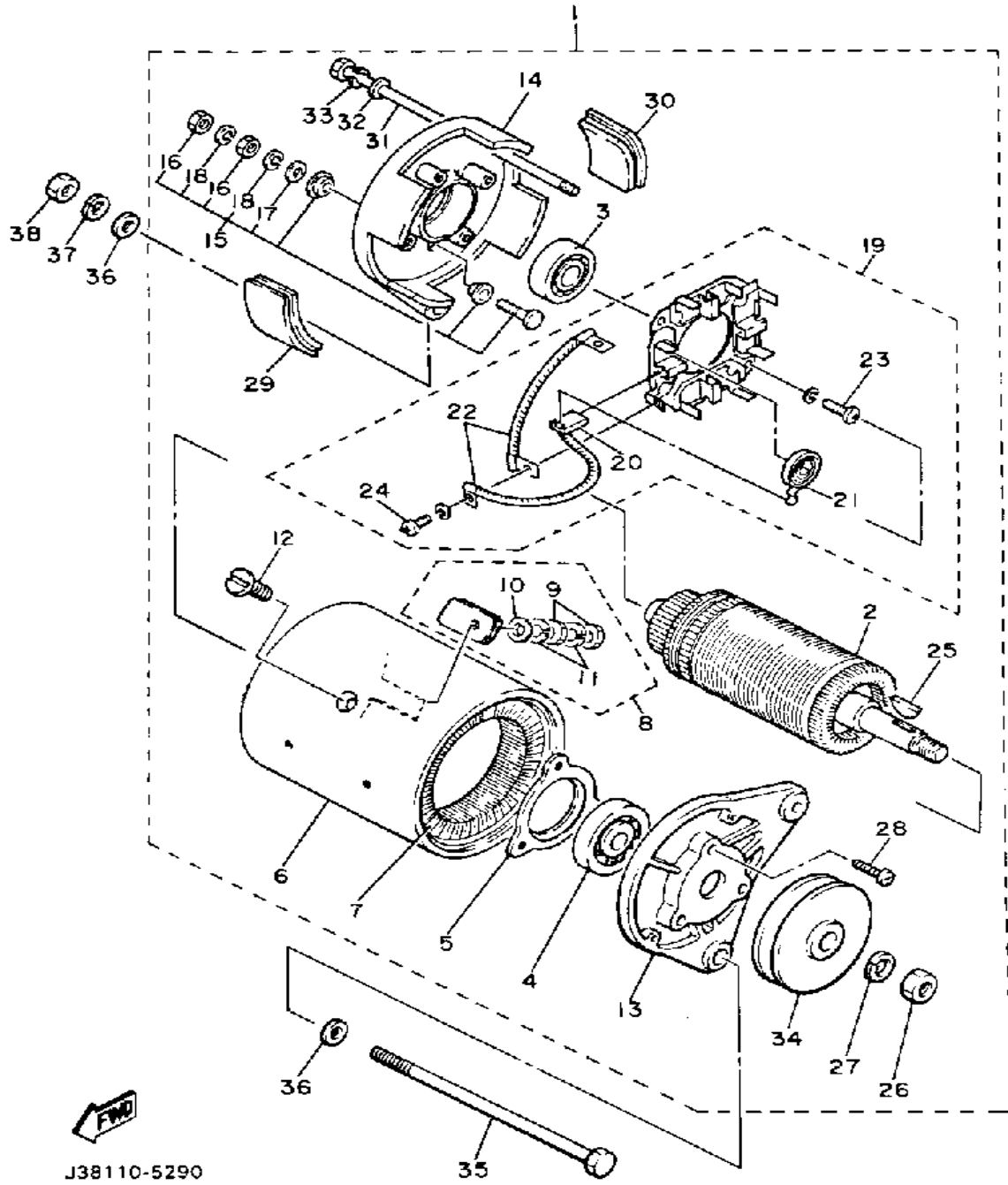
STARTING MOTOR



Ref. No.	Part Number	Description	Qty	Remarks
1	J38-81100-11-00	STARTER GENERATOR ASSEMBLY (JF2-H1100-00-00)	1	
2	J10-81150-10-00	. ARMATURE ASSEMBLY	1	
3	J10-81157-10-00	. BEARING 1 (6202 SD)	1	
4	J10-81158-10-00	. BEARING 2 (6203 SD)	1	
5	J10-81159-10-00	. HOLDER, BEARING	1	
6	J38-81110-10-00	. STATOR ASSEMBLY	1	
7	J38-81160-10-00	. FIELD COIL ASSEMBLY	1	
8	J10-81148-10-00	. SCREW	2	
9	95380-06600-00	.. NUT	4	
10	92990-06600-00	.. WASHER, PLATE	2	
11	92995-06100-00	.. WASHER, SPRING	4	
12	J10-81146-10-00	. SCREW	4	
13	J38-81165-10-00	. BRACKET, STARTER GENERATOR	1	
14	J10-81166-10-00	. BRACKET, STARTER GENERATOR	1	
15	J10-81147-10-00	. SCREW	2	
16	95380-06600-00	.. NUT	4	
17	92990-06600-00	.. WASHER, PLATE	2	
18	92995-06100-00	.. WASHER, SPRING	4	
19	JF2-81119-00-00	. BRUSH HOLDER ASSEMBLY	1	
20	JF2-81111-00-00	.. BRUSH	4	
21	J38-81113-10-00	.. SPRING, BRUSH	4	
22	J10-81115-10-00	.. WIRE, LEAD	2	
23	98580-05016-00	.. SCREW, PAN HEAD	2	
24	98580-04010-00	.. SCREW, PAN HEAD	4	
25	J38-81163-10-00	. KEY	1	
26	95312-14600-00	. NUT	1	
27	92901-14100-00	. WASHER, SPRING	1	

CONTINUED ON NEXT FRAME ►

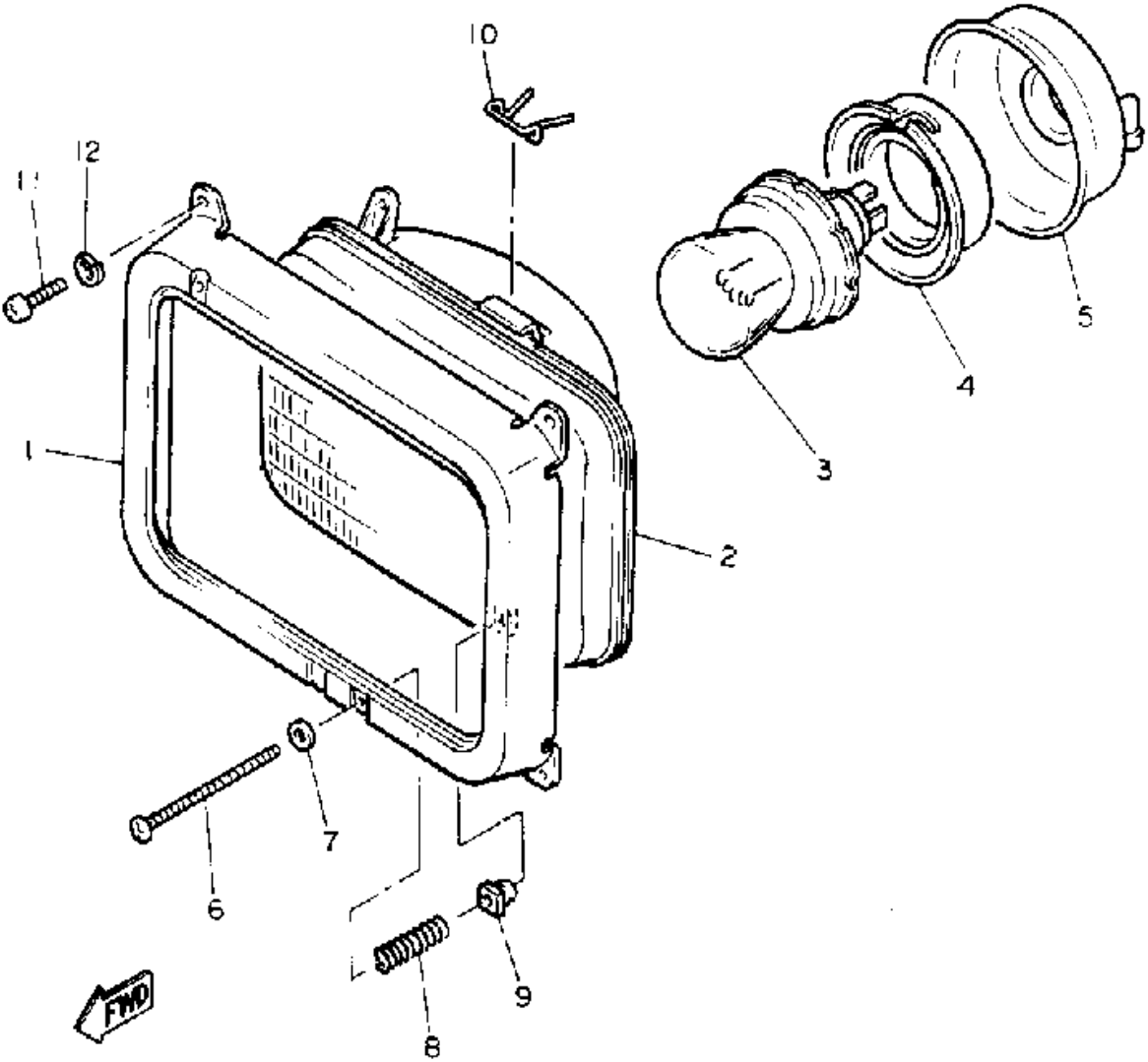
STARTING MOTOR



Ref. No.	Part Number	Description	Qty	Remarks
28	98501-05018-00	. SCREW, PAN HEAD	3	
29	J10-81129-10-00	. COVER, BRUSH	3	
30	J10-81129-10-00	. COVER, BRUSH		
	UNA-VAILA-BL-EI	0 0		
31	J10-81145-10-00	. SCREW	2	
32	92990-06600-00	. WASHER, PLATE	2	
33	92995-06100-00	. WASHER, SPRING	2	
34	J38-81161-10-00	. PULLEY	1	
35	90101-12545-00	BOLT	1	
36	92990-12600-00	WASHER, PLATE	2	
37	92901-12100-00	WASHER, SPRING	1	
38	95303-12600-00	NUT	1	

J38110-5290

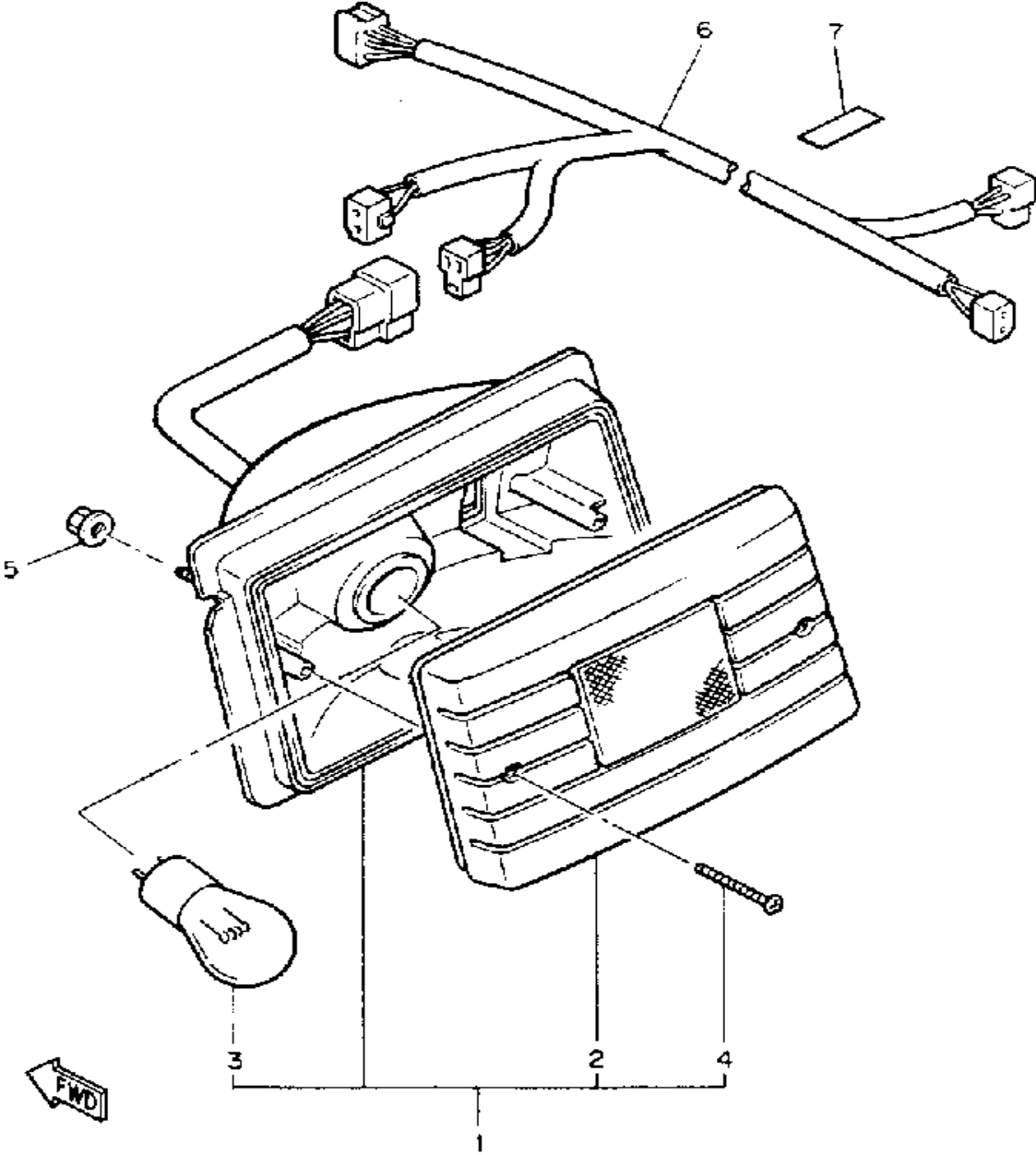
HEADLIGHT



Ref. No.	Part Number	Description	Qty	Remarks
1	J50-84315-00-00	RIM, HEADLIGHT	2	
2	47J-84320-00-00	LENS ASSEMBLY	2	
3	17E-84314-00-00	BULB, HL 12V50/40W (12V-50/40W)	2	
4	341-84393-40-00	HOLDER, BULB	2	
5	46X-84396-00-00	COVER	2	
6	43F-84131-00-00	SCREW, RIM ADJUSTER	4	
7	233-84127-60-00	WASHER, SPECIAL	4	
8	341-84332-60-00	SPRING, SCREW	4	
9	47J-84334-00-00	NUT, ADJUSTING	4	
10	5G2-84324-A0-00	SPRING, REFLECTOR (5G2-84324-00)	2	
11	98580-05010-00	SCREW, PAN HEAD	8	
12	92990-05100-00	WASHER, SPRING	8	

J50100-9330

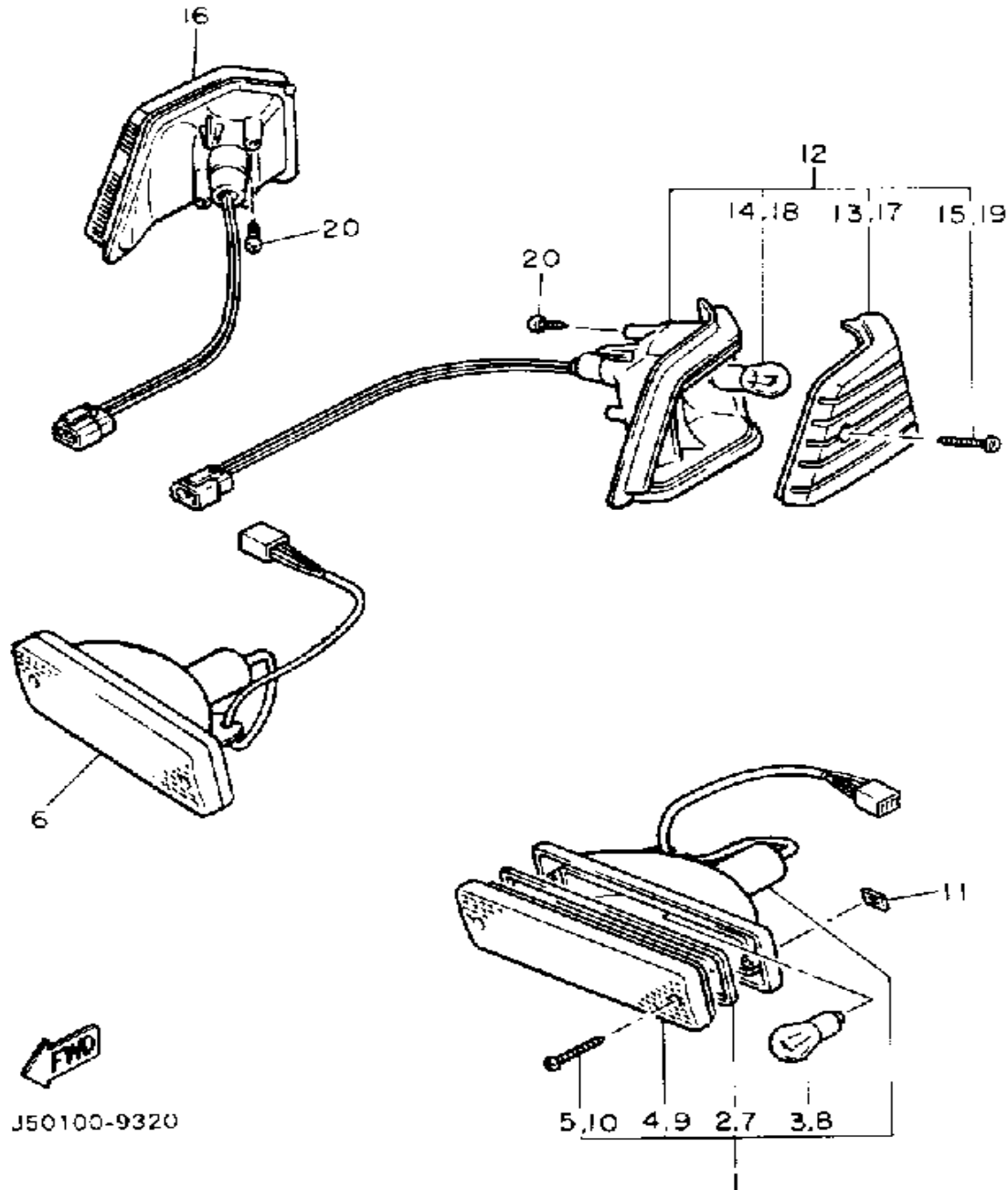
TAILLIGHT



J50100-9340

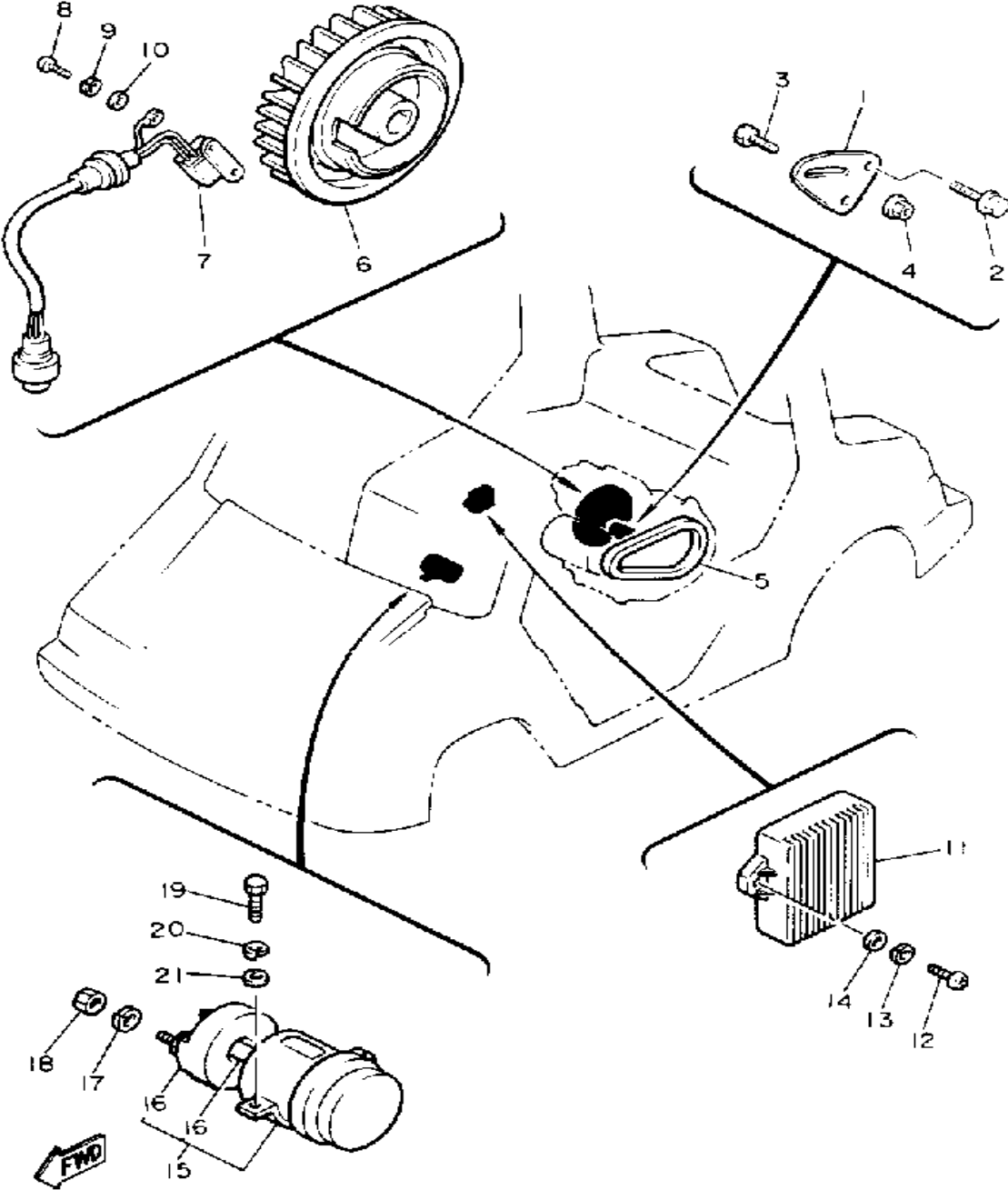
Ref. No.	Part Number	Description	Qty	Remarks
1	J50-84710-00-00	TAILLIGHT UNIT ASSEMBLY ..	2	
2	25G-84721-01-00	. LENS, TAILLIGHT	1	
3	256-84714-61-00	. BULB (12V-27/8W)	1	
4	97780-40130-00	. SCREW, PANHEAD TAPPING (97701-40130-00)	2	
5	95701-06500-00	NUT, FLANGE	4	
6	J50-84727-00-00	CORD, TAILLIGHT	1	
7	ϕJ4-27717-E0-00	UNAVAILABLE IN PRICE BOOK	4	

URNSIGNAL



Ref. No.	Part Number	Description	Qty	Remarks
1	J50-83310-00-00	FRT FLSHR LITE ASSEMBLY LIGHT ASSEMBLY 1	1	
2	J50-83313-00-00	. GASKET, FLSHR LENS	1	
3	137-84714-61-00	. BULB, TL 12V23/8W (J50-83311-00)	1	
4	J50-83312-00-00	. LENS, FLASHER	1	
5	97780-40535-00	. SCREW, TAPPING (FJ1)	2	
6	J50-83320-00-00	FRT FLSHR LITE ASSEMBLY LIGHT ASSEMBLY 2	1	
7	J50-83313-00-00	. GASKET, FLSHR LENS	1	
8	137-84714-61-00	. BULB, TL 12V23/8W (J50-83311-00)	1	
9	J50-83322-00-00	. LENS, FLASHER 2	1	
10	97780-40535-00	. SCREW, TAPPING (FJ1)	2	
11	90183-04012-00	NUT, SPRING	4	
12	25G-83330-00-00	R FLSHR LITE ASSEMBLY	1	
13	25G-83332-00-00	. LENS, FLASHER (L.H)	1	
14	256-83311-70-XX	. BULB, TS 12V27W	1	
15	97780-40130-00	. SCREW, PANHEAD TAPPING (97701-40130-00)	1	
16	25G-83340-00-00	R FLSHR LITE ASSEMBLY	1	
17	25G-83342-00-00	. LENS, FLASHER (R.H)	1	
18	256-83311-70-XX	. BULB, TS 12V27W	1	
19	97780-40130-00	. SCREW, PANHEAD TAPPING (97701-40130-00)	1	
20	97780-60116-00	SCREW, TAPPING	4	

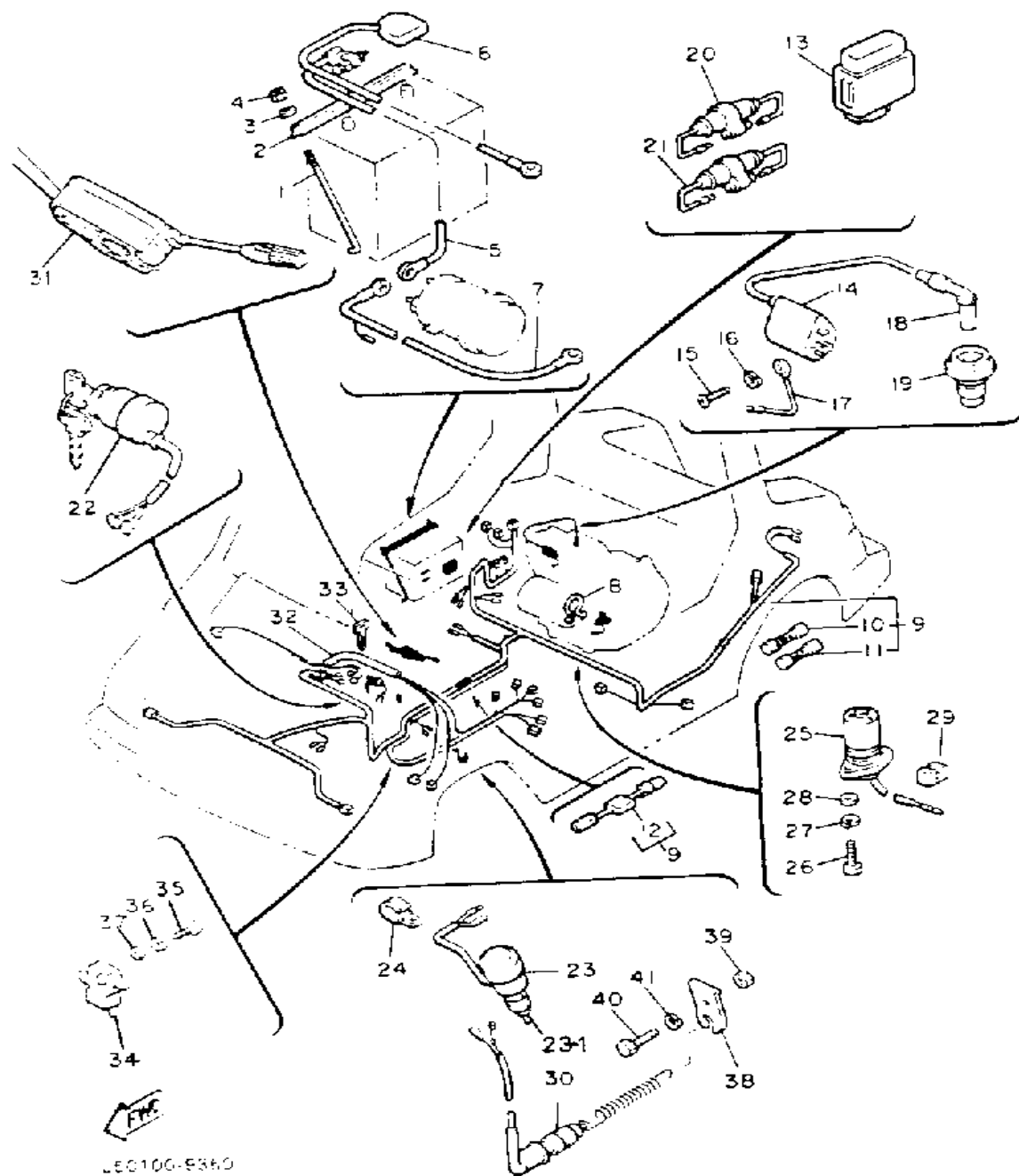
ELECTRICAL 1



J5C10C-935C

Ref. No.	Part Number	Description	Qty	Remarks
1	J38-81170-00-00	TENSIONER ASSEMBLY	1	
2	95821-08025-00	BOLT, FLANGE	2	
3	90109-087A5-00	BOLT	1	
4	95701-08500-00	NUT, FLANGE	1	
5	J55-H1173-00-00	BELT	1	
6	J38-81350-20-00	ROTOR ASSEMBLY	1	
7	J38-85580-20-00	COIL, PULSER	1	
8	98580-05016-00	SCREW, PAN HEAD	2	
9	92990-05100-00	WASHER, SPRING	2	
10	92901-05600-00	WASHER, PLATE	2	
11	J50-81910-00-00	VOLTAGE REG ASSEMBLY ..	1	
12	98580-06020-00	SCREW	2	
13	92995-06100-00	WASHER, SPRING	2	
14	92990-06600-00	WASHER, PLATE	2	
15	JH2-81950-01-00	RELAY ASSEMBLY	1	
16	J41-81920-09-00	. G2A/E SLND RBLDKIT	1	
17	92990-08100-00	WASHER	2	
18	95303-08700-00	NUT	2	
19	97011-06016-00	BOLT	2	
20	92995-06100-00	WASHER, SPRING	2	
21	92990-06600-00	WASHER, PLATE	2	

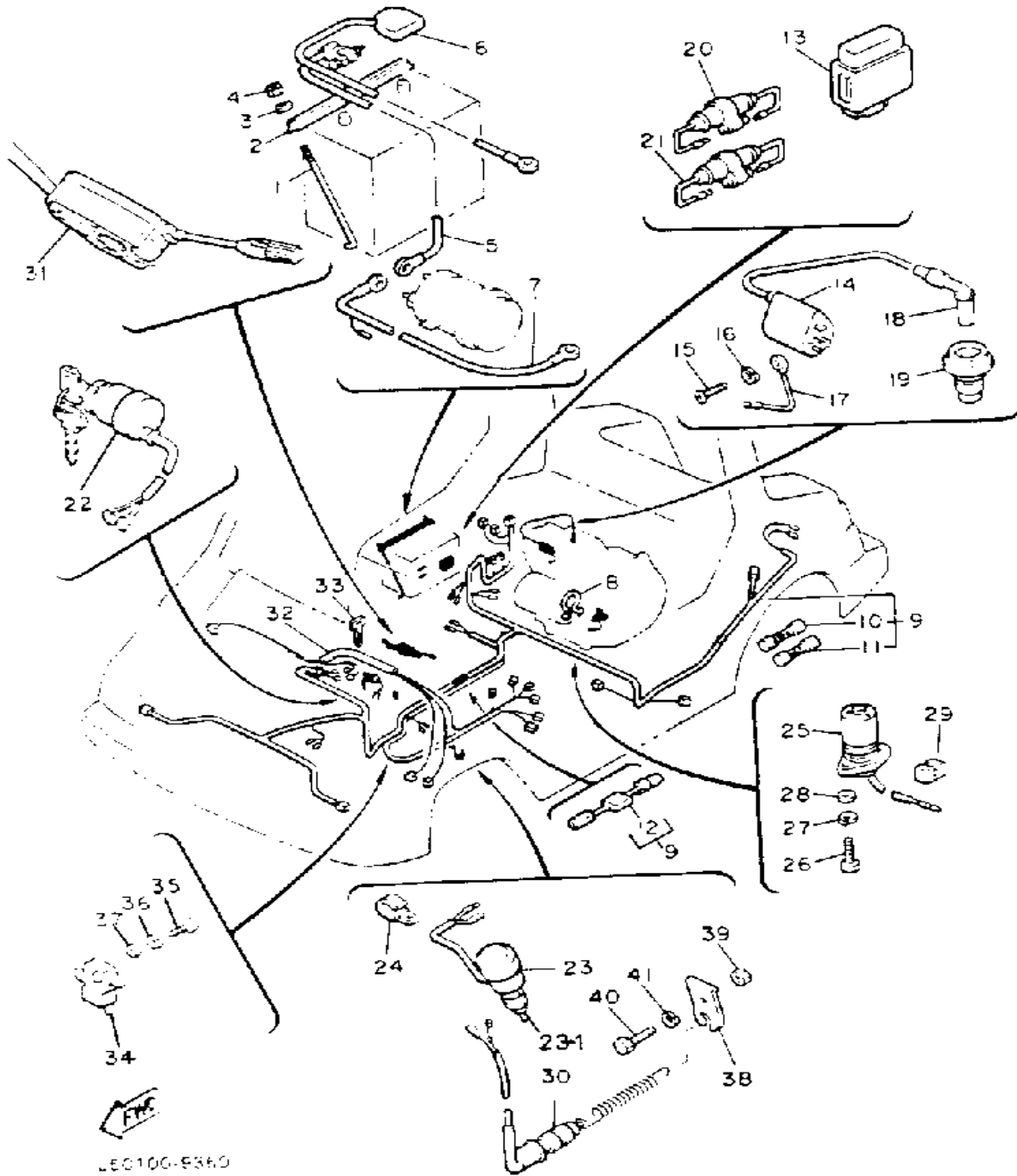
ELECTRICAL 2



Ref. No.	Part Number	Description	Qty	Remarks
1	J17-82133-00-00	SCREW, FITTING	2	
2	J55-H2136-00-00	PLATE, BATTERY	1	
3	92990-06200-00	WASHER	2	
4	95701-06300-00	NUT, NYLON	2	
5	J50-H2115-00-00	WIRE, PLUS LEAD	1	
6	J50-H2116-00-00	WIRE, MINUS LEAD	1	
7	J50-H2117-00-00	WIRE, LEAD	1	
8	90464-23041-00	CLAMP	1	
9	J50-82590-00-00	WIRE HARNESS ASSEMBLY	1	
10	42X-82151-00-00	. FUSE (10A-BL)	4	
11	36Y-82151-00-00	. FUSE (15A-BL)	2	
12	3K7-81980-00-00	. DIODE ASSEMBLY	2	
13	J38-82305-20-00	IGNITOR UNIT ASSEMBLY 1	1	
14	J38-82310-20-00	IGNITION COIL ASSEMBLY	1	
15	98511-05020-00	SCREW, PAN HEAD	2	
16	92990-05100-00	WASHER, SPRING	2	
17	J38-82318-00-00	WIRE, SUB-LEAD	1	
18	8K1-82370-20-00	PLUG CAP ASSEMBLY (WITH RESISTOR)	1	
19	J38-82372-00-00	SEAL, plug cap	1	
20	J42-82150-50-00	FUSE HOLDER ASSEMBLY	1	
21	J42-82150-50-00	FUSE HOLDER ASSEMBLY	1	
22	J50-82510-00-00	MAIN SWITCH ASSEMBLY	1	
23	J41-82550-01-00	ENGINE STOP SWITCH ASSEMBLY	1	
24	90465-06038-00	CLAMP	1	
25	JH2-85720-00-00	OIL LEVEL GAUGE ASSEMBLY (JF2-85720-00-00)	1	
26	97011-06020-00	BOLT	2	
27	92995-06100-00	WASHER, SPRING	2	

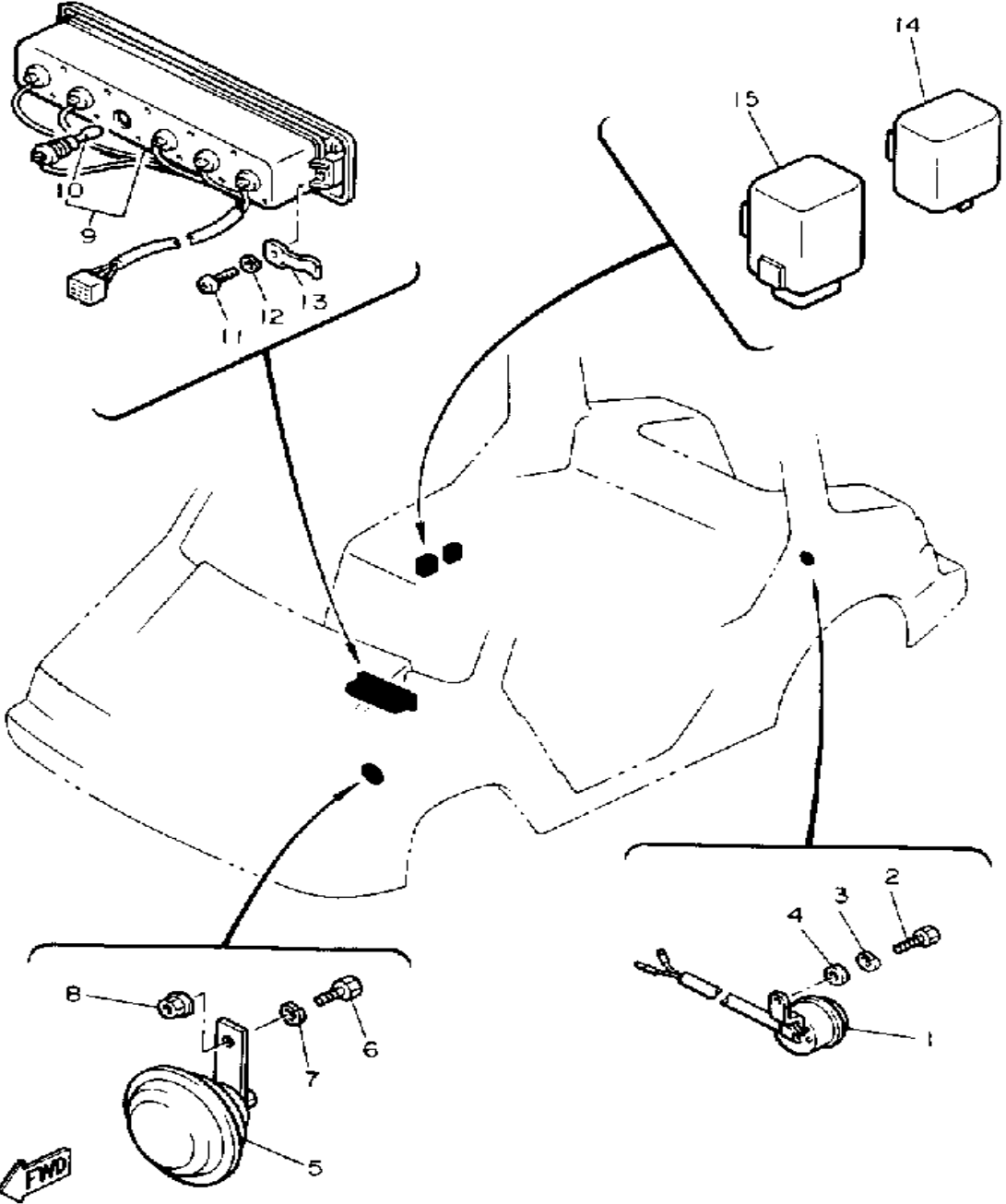
CONTINUED ON NEXT FRAME ►

ELECTRICAL 2



Ref. No.	Part Number	Description	Qty	Remarks
28	92990-06600-00	WASHER, PLATE	2	
29	J38-82598-00-00	GROMMET	1	
30	J50-82530-01-00	STOP SWITCH ASSEMBLY	1	
31	J42-83975-00-00	SWITCH, HANDLE 2	1	
32	J50-82580-00-00	WIRE HARNESS ASSEMBLY 2	1	
33	25G-83936-01-00	BAND, SWITCH CORD	1	
34	J50-82617-00-00	REVERSE SWITCH	1	
35	98511-04025-00	SCREW, PAN HEAD	1	
36	92901-04100-00	WASHER, SPRING	1	
37	92901-04600-00	WASHER, PLATE	1	
38	J13-25656-00-00	BRKT, STOP LT SWCHSTOP LIGHT SWITCH	1	
39	95380-06600-00	NUT	1	
40	97011-06016-00	BOLT	1	
41	92995-06100-00	WASHER, SPRING	1	
5-1	90108-06420-00	BOLT, BATTERY CABLE	1	
5-2	92801-06000-00	NUT, BATTERY CABLE	1	
6-1	90108-06420-00	BOLT, BATTERY CABLE	1	
6-2	92801-06000-00	NUT, BATTERY CABLE	1	
23-1	JF2-82532-00-00	. CAP, RUBBER	1	

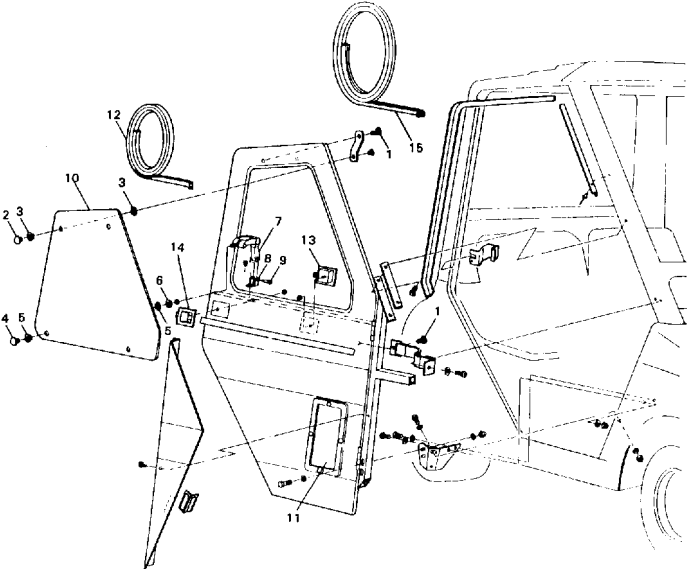
ELECTRICAL 3



Ref. No.	Part Number	Description	Qty	Remarks
1	J10-83383-02-00	BUZZER	1	
2	97011-06016-00	BOLT	1	
3	92995-06100-00	WASHER, SPRING	1	
4	92990-06600-00	WASHER, PLATE	1	
5	2KR-83371-00-00	HORN	1	
6	97013-06012-00	BOLT	1	
7	92995-06100-00	WASHER, SPRING	1	
8	95702-06600-00	NUT, FLANGE	1	
9	J50-83530-00-00	PILOT LIGHT ASSEMBLY	1	
10	4G1-84744-00-00	. BULB, MTR.12V3.4W	6	
11	98580-04010-00	SCREW, PAN HEAD	2	
12	92901-04100-00	WASHER, SPRING	2	
13	J50-83514-00-00	PLATE, FITTING	2	
14	50V-83350-20-00	FLASHER RELAY ASSEMBLY .	1	
15	J42-85590-01-00	CONTROL UNIT ASSEMBLY ..	1	

J50100-9370

OPTIONAL PARTS G5 DOOR



Ref. No.	Part Number	Description	Qty	Remarks
1	ABA-J5011-01-14	SCREW;1/4-20 X 3 4	2	
2	ABA-J5011-01-12	KNOB;SHORT RD HEAD	2	
3	ABA-J5011-01-13	WASHER;FLANGED BLK	4	
4	ABA-J5011-01-24	KNOB;RD HD ADJUSTING CHR	2	
5	ABA-J5011-01-25	NUT;LRG FLANGE CHR	2	
6	ABA-J5011-01-26	WASHER;FLANGED BLK	4	
7	ABA-J5011-01-21	LATCH;WSTUD&LINK	2	
8	ABA-J5011-01-22	HINGE;MODIFIED PVT	2	
9	AB-AJ501-10-12	UNAVAILABLE IN PRICE BOOK	2	
10	ABA-J5011-01-00	WINDOW;UPPR TINTED	1	
11	ABA-J5011-02-00	WINDOW; LWR TINTED	1	
12	ABA-J5011-01-15	MOLDING;WINDOW9.5"	1	
13	ABA-J5011-42-00	LATCH;PADDLE INNER	1	
14	ABA-J5011-41-00	LATCH;PADDLE OUTER	1	
15	ABA-J5011-50-00	SEAL; BULB 7.5FT	1	