



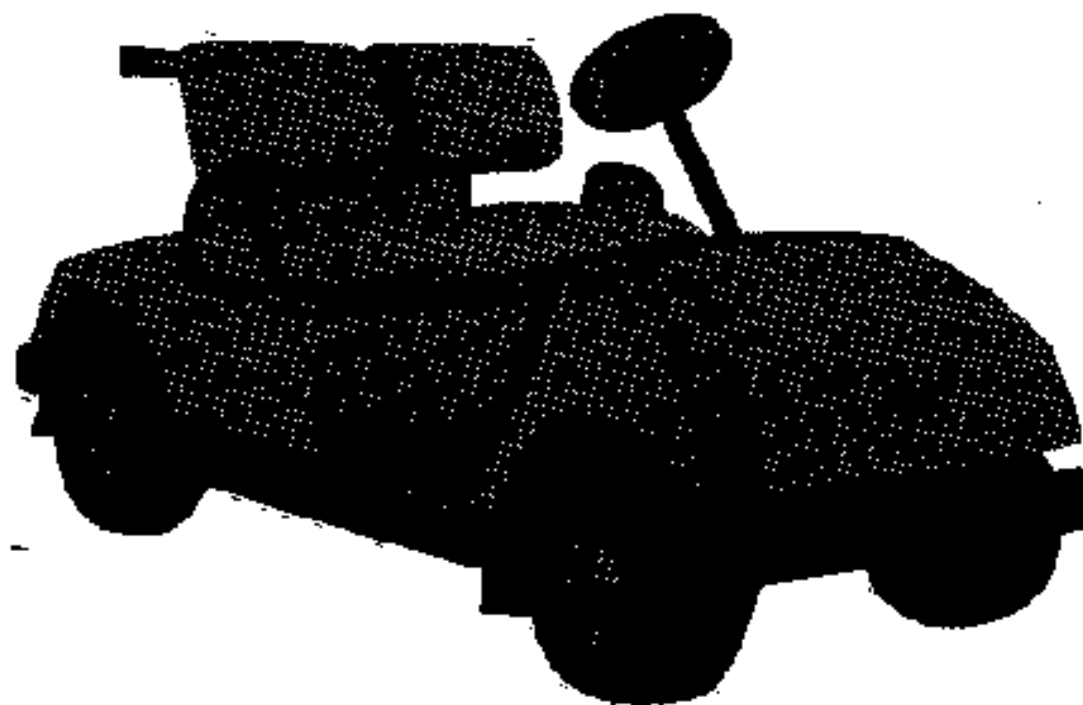
PARTS CATALOGUE

MODEL YEAR 1993

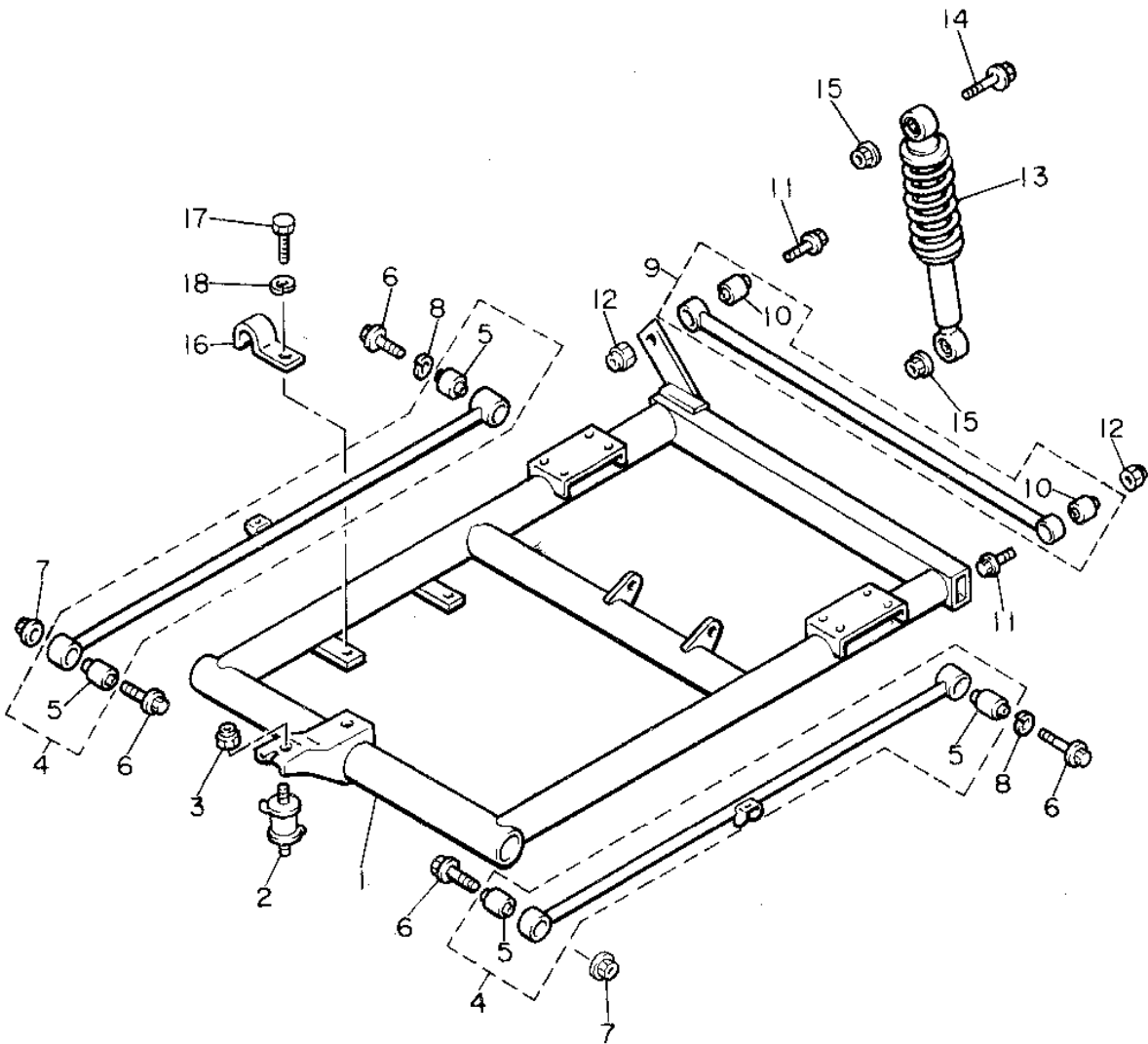
G8-EJ (JF32)

| | |
|------------|--------------------|
| XXXXXXXXXX | XXXXXXXXXXXXXXXXXX |
| XXXXXXXXXX | XXXXXXXXXXXXXXXXXX |

| PUBLICATION | PART NUMBER | REMARKS |
|--------------|-------------|---------|
| XXXXXXXXXX | XXXXXXXXXX | |
| XXXXXXXXXXXX | XXXXXXXXXX | |
| XXXXXXXXXXXX | XXXXXXXXXX | |
| XXXXXXXXXXXX | XXXXXXXXXX | |



REAR SHOCKS

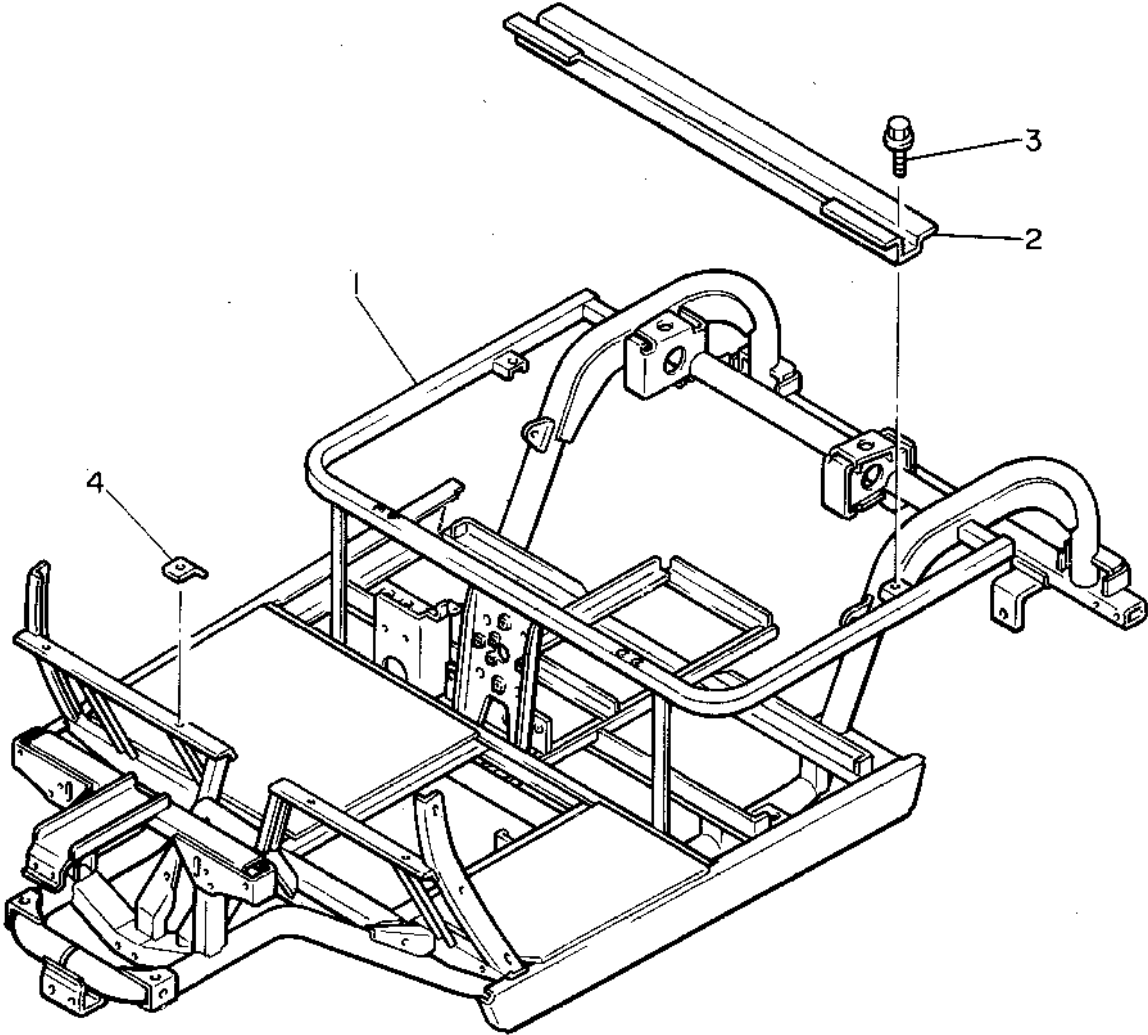


| Ref. No. | Part Number | Description | Qty | Remarks |
|----------|-----------------|-------------------------------------|-----|---------|
| 1 | JF3-F2110-00-00 | REAR ARM COMP. | 1 | |
| 2 | J50-22123-00-00 | BUSH 1 | 1 | |
| 3 | 90185-10115-00 | NUT, SELF-LOCKING | 2 | |
| 4 | J50-22171-00-00 | ARM, REAR 1 | 2 | |
| 5 | J50-22124-00-00 | . BUSH 2 | 2 | |
| 6 | 95812-12065-00 | BOLT, FLANGE | 4 | |
| 7 | 90185-12072-00 | NUT, SELF-LOCKING | 2 | |
| 8 | 92901-12100-00 | WASHER, SPRING | 2 | |
| 9 | JF2-22172-00-00 | ARM, REAR 2 | 1 | |
| 10 | J50-22124-00-00 | . BUSH 2 | 2 | |
| 11 | 95812-12065-00 | BOLT, FLANGE | 2 | |
| 12 | 90185-12072-00 | NUT, SELF-LOCKING | 2 | |
| 13 | JF3-22210-01-00 | SHOCK ABSORBER ASSEMBLY, REAR | 2 | |
| 14 | 95812-12065-00 | BOLT, FLANGE | 2 | |
| 15 | 90185-12072-00 | NUT, SELF-LOCKING | 4 | |
| 16 | 90462-20186-00 | CLAMP | 2 | |
| 17 | 97013-06012-00 | BOLT | 2 | |
| 18 | 92995-06100-00 | WASHER, SPRING | 2 | |



JF3100-0010

FRAME

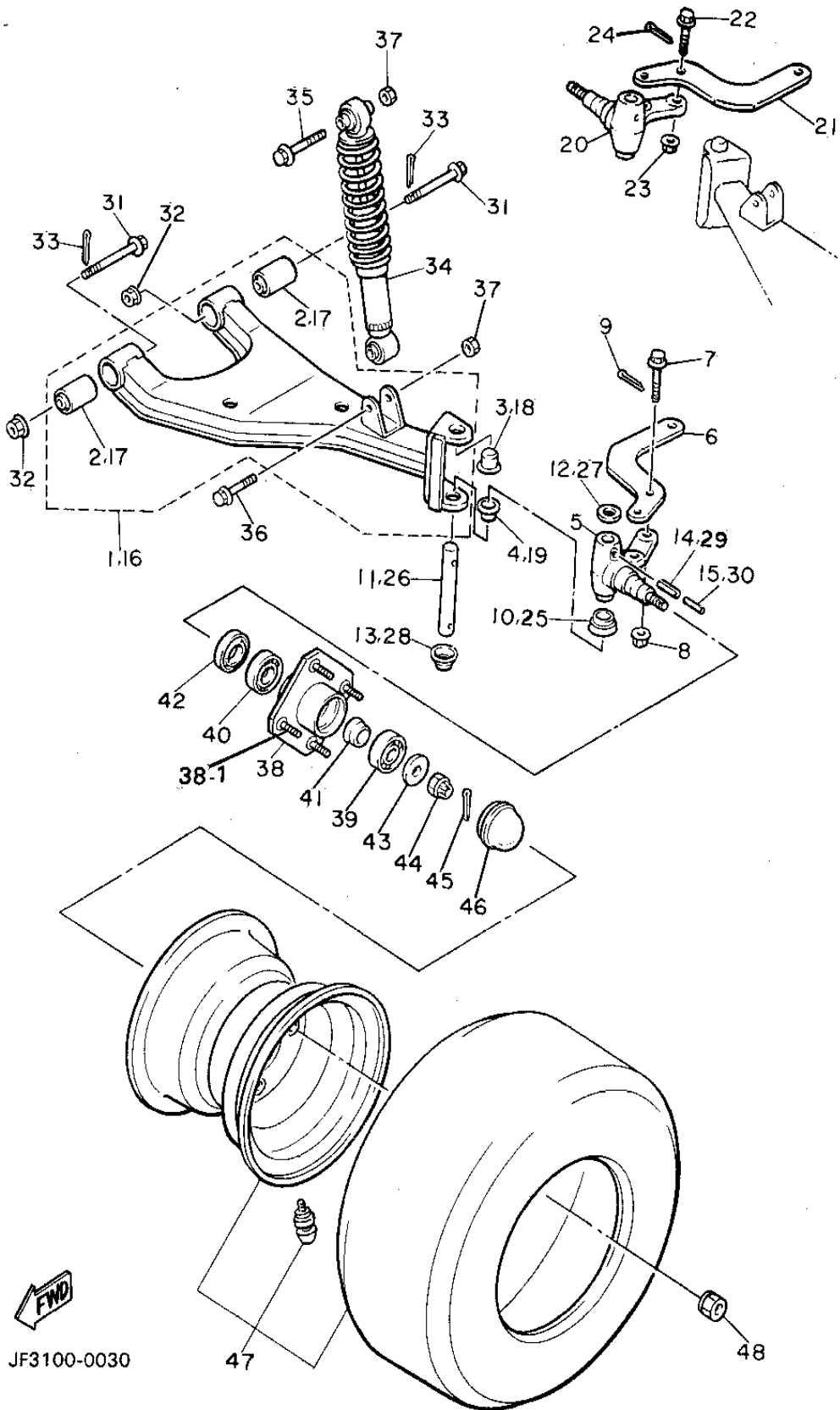


| Ref. No. | Part Number | Description | Qty | Remarks |
|----------|-----------------|--------------------------|-----|---------|
| 1 | JF3-F2501-10-00 | FRAME COMP. | 1 | |
| 2 | JF2-F254R-00-00 | SUPPORT, BODY MOUNTING . | 1 | |
| 3 | 95811-08016-00 | BOLT, FLANGE | 2 | |
| 4 | JF2-7814A-00-00 | SEAL, BODY UPPER | 4 | |



JF3100-0020

FRONT SUSPENSION - WHEEL

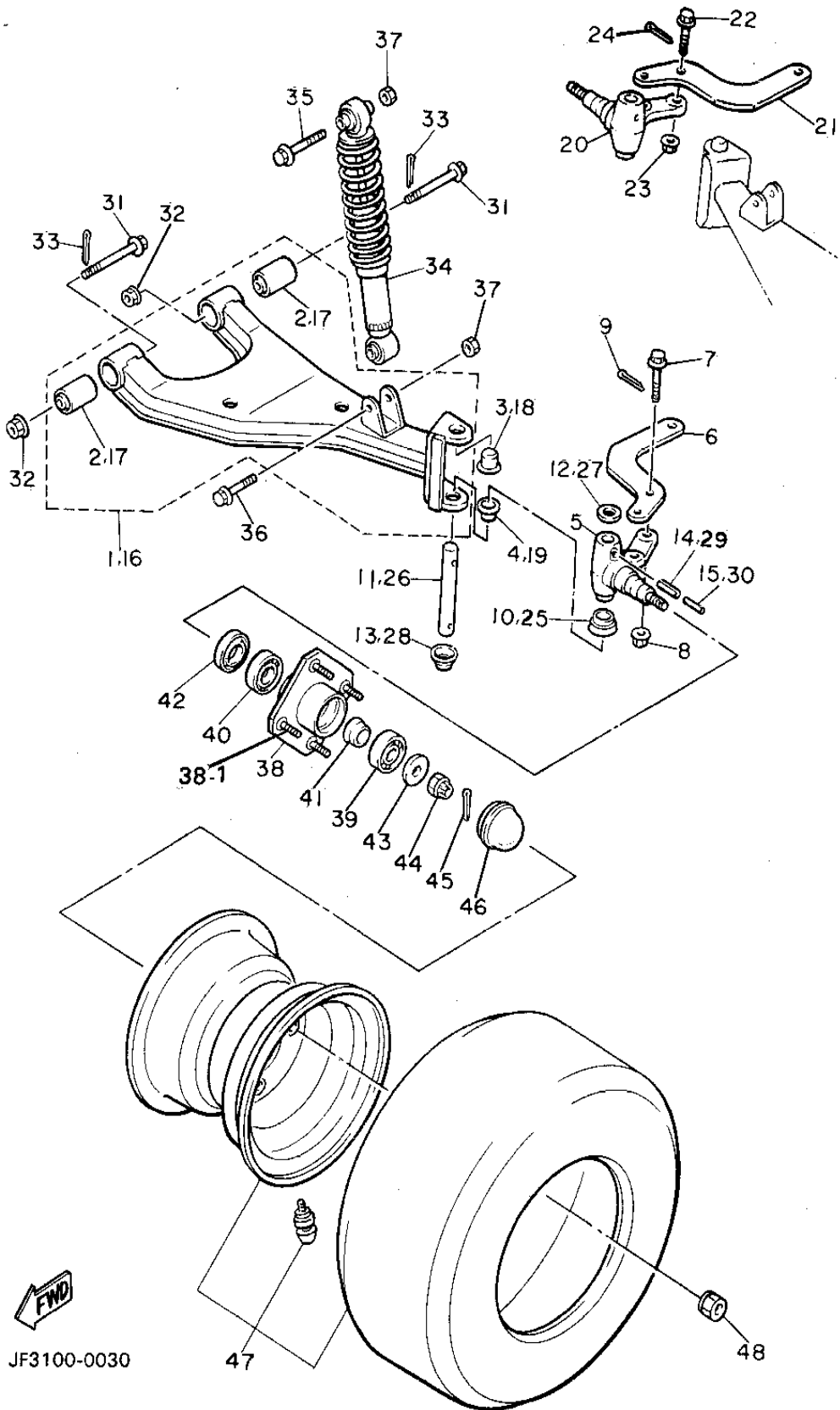


| Ref. No. | Part Number | Description | Qty | Remarks |
|----------|-----------------|-------------------------------|-----|---------|
| 1 | JF2-F3570-00-00 | FRONT LOWER ARM COMP. (LEFT) | 1 | |
| 2 | J38-23526-00-00 | . BUSH | 2 | |
| 3 | 90338-17225-00 | PLUG | 1 | |
| 4 | 90386-15139-00 | BUSH | 1 | |
| 5 | J38-23511-01-00 | KNUCKLE, STEERING 1 | 1 | |
| 6 | J38-23512-02-00 | ARM, KNUCKLE 1 | 1 | |
| 7 | 90105-10360-00 | BOLT, FLANGE | 2 | |
| 8 | 90185-10115-00 | NUT, SELF-LOCKING | 2 | |
| 9 | 91401-25020-00 | PIN, COTTER | 2 | |
| 10 | J38-23527-00-00 | SEAL, DUST | 1 | |
| 11 | J38-23516-00-00 | PIN, STEERING KNUCKLE | 1 | |
| 12 | 90201-156J2-00 | WASHER, PLAIN | 1 | |
| 13 | J38-23528-00-00 | SEAL, DUST | 1 | |
| 14 | 91609-60028-00 | PIN, SPRING | 1 | |
| 15 | 91609-35028-00 | PIN, SPRING | 1 | |
| 16 | JF2-F3580-00-00 | FRONT LOWER ARM COMP. (RIGHT) | 1 | |
| 17 | J38-23526-00-00 | . BUSH | 2 | |
| 18 | 90338-17225-00 | PLUG | 1 | |
| 19 | 90386-15139-00 | BUSH | 1 | |
| 20 | J38-23521-01-00 | KNUCKLE, STEERING 2 | 1 | |
| 21 | J38-23512-02-00 | ARM, KNUCKLE 1 | 1 | |
| 22 | 90105-10360-00 | BOLT, FLANGE | 2 | |
| 23 | 90185-10115-00 | NUT, SELF-LOCKING | 2 | |
| 24 | 91401-25020-00 | PIN, COTTER | 2 | |
| 25 | J38-23527-00-00 | SEAL, DUST | 1 | |
| 26 | J38-23516-00-00 | PIN, STEERING KNUCKLE | 1 | |
| 27 | 90201-156J2-00 | WASHER, PLAIN | 1 | |

CONTINUED ON NEXT FRAME ►

FWD
JF3100-0030

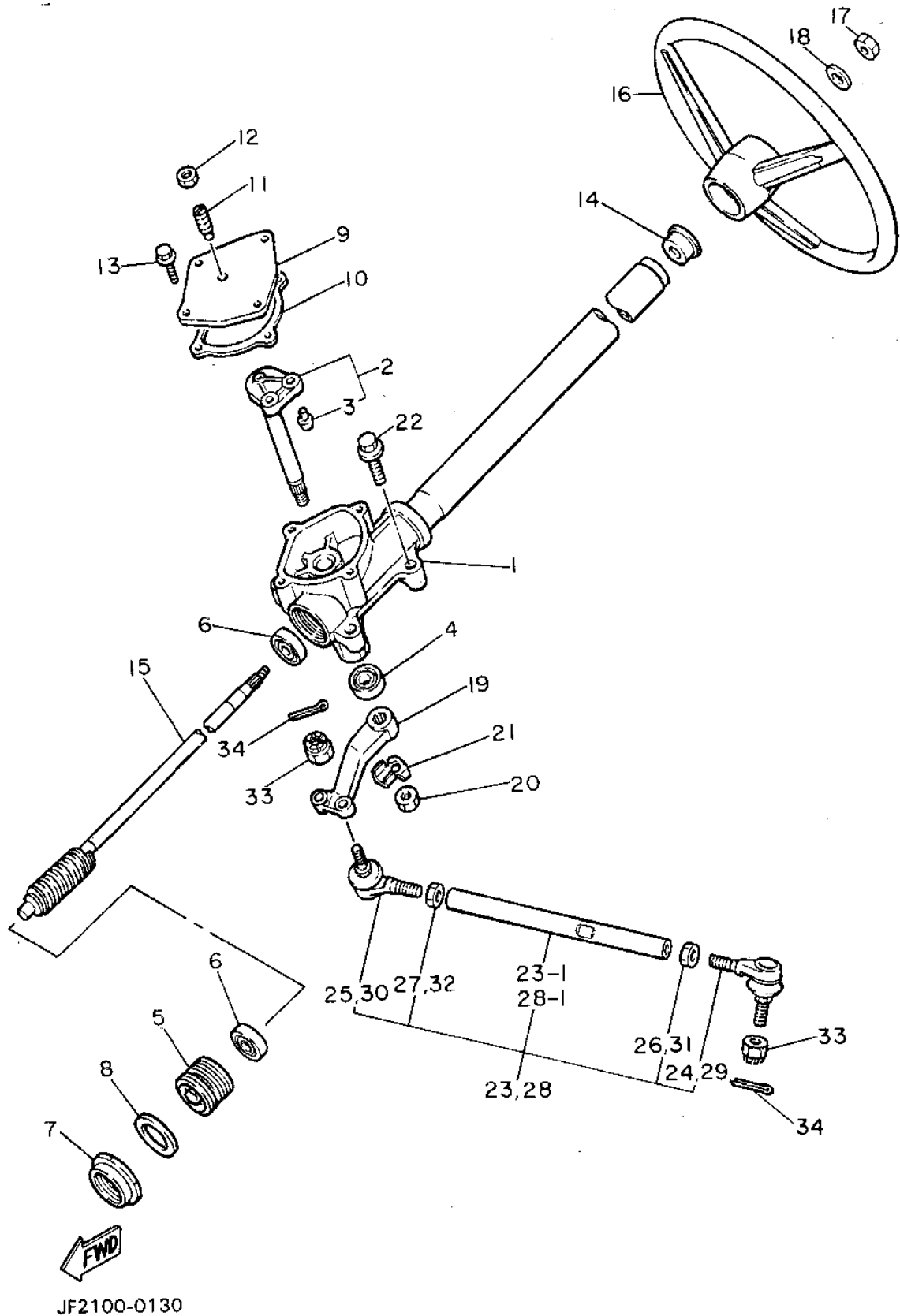
FRONT SUSPENSION - WHEEL



| Ref. No. | Part Number | Description | Qty | Remarks |
|----------|-----------------|-------------------------|-----|---------|
| 28 | J38-23528-00-00 | SEAL, DUST | 1 | |
| 29 | 91609-60028-00 | PIN, SPRING | 1 | |
| 30 | 91609-35028-00 | PIN, SPRING | 1 | |
| 31 | 90105-10357-00 | BOLT, FLANGE | 4 | |
| 32 | 90185-10115-00 | NUT, SELF-LOCKING | 4 | |
| 33 | 91401-25020-00 | PIN, COTTER | 4 | |
| 34 | JF3-23350-02-00 | SHOCK ABSORBER ASSEMBLY | 2 | |
| 35 | 97002-10065-00 | BOLT | 2 | |
| 36 | 97012-10050-00 | BOLT (97002-10050-00) | 2 | |
| 37 | 95601-10100-00 | NUT, U (95602-10100-00) | 4 | |
| 38 | JG5-WF511-00-00 | HUB | 2 | |
| 39 | 93306-20437-00 | BEARING | 2 | |
| 40 | 93306-00511-00 | BEARING | 2 | |
| 41 | 90387-241M7-00 | COLLAR | 2 | |
| 42 | 93102-30083-00 | SEAL, OIL | 2 | |
| 43 | 90209-32271-00 | WASHER | 2 | |
| 44 | 95601-14100-00 | NUT, U (95602-14100-00) | 2 | |
| 45 | 91401-25020-00 | PIN, COTTER | 2 | |
| 46 | J17-25118-00-00 | COVER, HUB DUST | 2 | |
| 47 | JG5-F5100-10-00 | REAR WHEEL ASSEMBLY | 2 | |
| 48 | 90179-12262-00 | NUT | 8 | |
| 38-1 | 90114-12800-00 | BOLT, RIBBED NECK | 8 | |

FWD
JF3100-0030

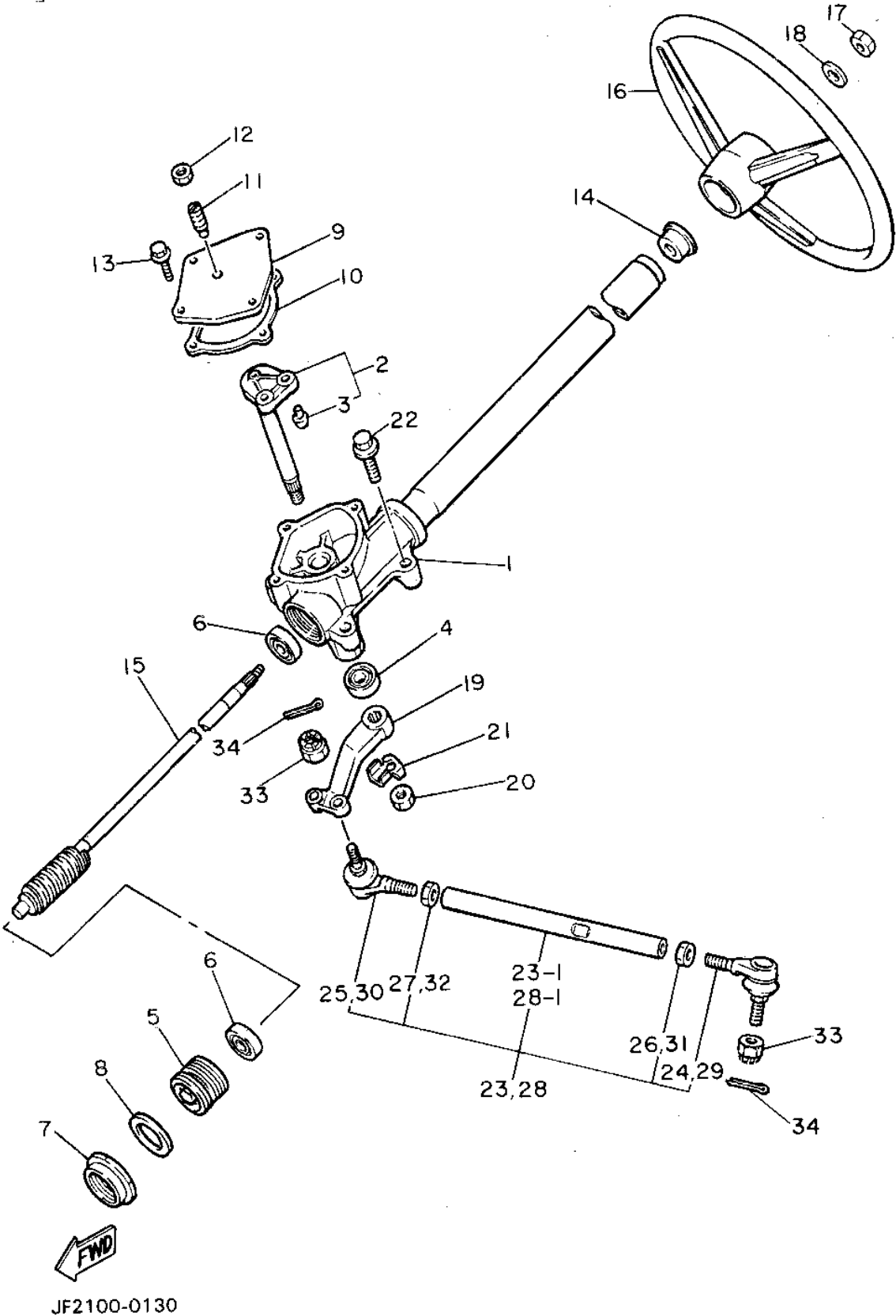
STEERING



| Ref. No. | Part Number | Description | Qty | Remarks |
|----------|-----------------|-------------------------------------|-----|---------|
| 1 | JG5-F3811-00-00 | COLUMN, STEERING | 1 | |
| 2 | J38-23816-00-00 | ARM, PITMAN | 1 | |
| 3 | J38-23836-00-00 | . PIN, PITMAN | 2 | |
| 4 | 93102-22314-00 | SEAL, OIL | 1 | |
| 5 | J55-F3876-00-00 | BOLT | 1 | |
| 6 | 93332-00010-00 | BEARING | 2 | |
| 7 | J10-23877-00-00 | NUT | 1 | |
| 8 | J10-23444-00-00 | WASHER | 1 | |
| 9 | J55-23818-00-00 | COVER, STEERING | 1 | |
| 10 | J38-23462-00-00 | SEAL, STEERING (J38-23462-01-00) | 1 | |
| 11 | J10-23459-00-00 | BOLT | 1 | |
| 12 | 90170-08024-00 | NUT, HEX. | 1 | |
| 13 | 95811-06020-00 | BOLT, FLANGE | 4 | |
| 14 | J38-23814-00-00 | HOLDER, HANDLE UPPER | 1 | |
| 15 | J10-23840-00-00 | STEERING SHAFT | 1 | |
| 16 | JF2-F3838-00-00 | WHEEL, STEERING | 1 | |
| 17 | 90185-12119-00 | NUT, SELF-LOCKING | 1 | |
| 18 | 92990-12200-00 | WASHER, PLAIN | 1 | |
| 19 | J38-23826-01-00 | ARM, IDLER | 1 | |
| 20 | 95701-16300-00 | NUT, FLANGE | 1 | |
| 21 | 90215-16252-00 | WASHER, TONGUE | 1 | |
| 22 | 95811-10050-00 | BOLT, FLANGE (95812-10050-00) | 4 | |
| 23 | JF2-F3830-00-00 | TIE ROD ASSEMBLY | 1 | |
| 24 | J38-23841-01-00 | . JOINT, UNIVERSAL 1 | 1 | |
| 25 | J38-23845-01-00 | . JOINT, UNIVERSAL 2 | 1 | |
| 26 | 90170-12055-00 | . NUT | 1 | |
| 27 | 90170-12054-00 | . NUT | 1 | |

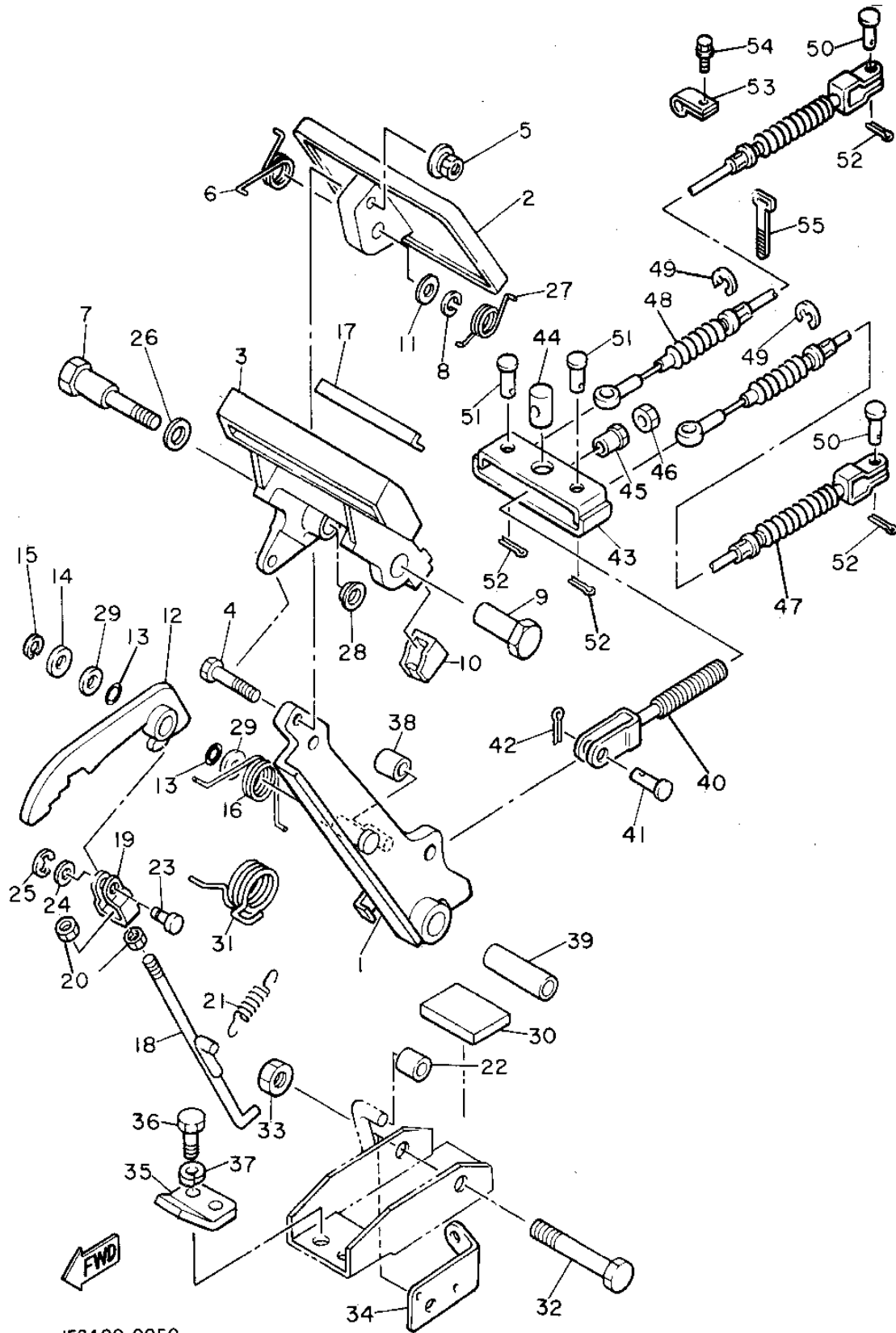
CONTINUED ON NEXT FRAME ►

STEERING



| Ref. No. | Part Number | Description | Qty | Remarks |
|----------|-----------------|-------------------------|-----|---------|
| 28 | JF2-F3850-00-00 | TIE ROD ASSEMBLY | 1 | |
| 29 | J38-23841-01-00 | . JOINT, UNIVERSAL 1 | 1 | |
| 30 | J38-23845-01-00 | . JOINT, UNIVERSAL 2 | 1 | |
| 31 | 90170-12055-00 | . NUT | 1 | |
| 32 | 90170-12054-00 | . NUT | 1 | |
| 33 | 95601-10100-00 | NUT, U (95602-10100-00) | 4 | |
| 34 | 91401-25020-00 | PIN, COTTER | 4 | |
| 23-1 | J38-23831-02-00 | . ROD, TIE | 1 | |
| 28-1 | J38-23837-02-00 | . ROD, TIE 2 | 1 | |

BRAKE

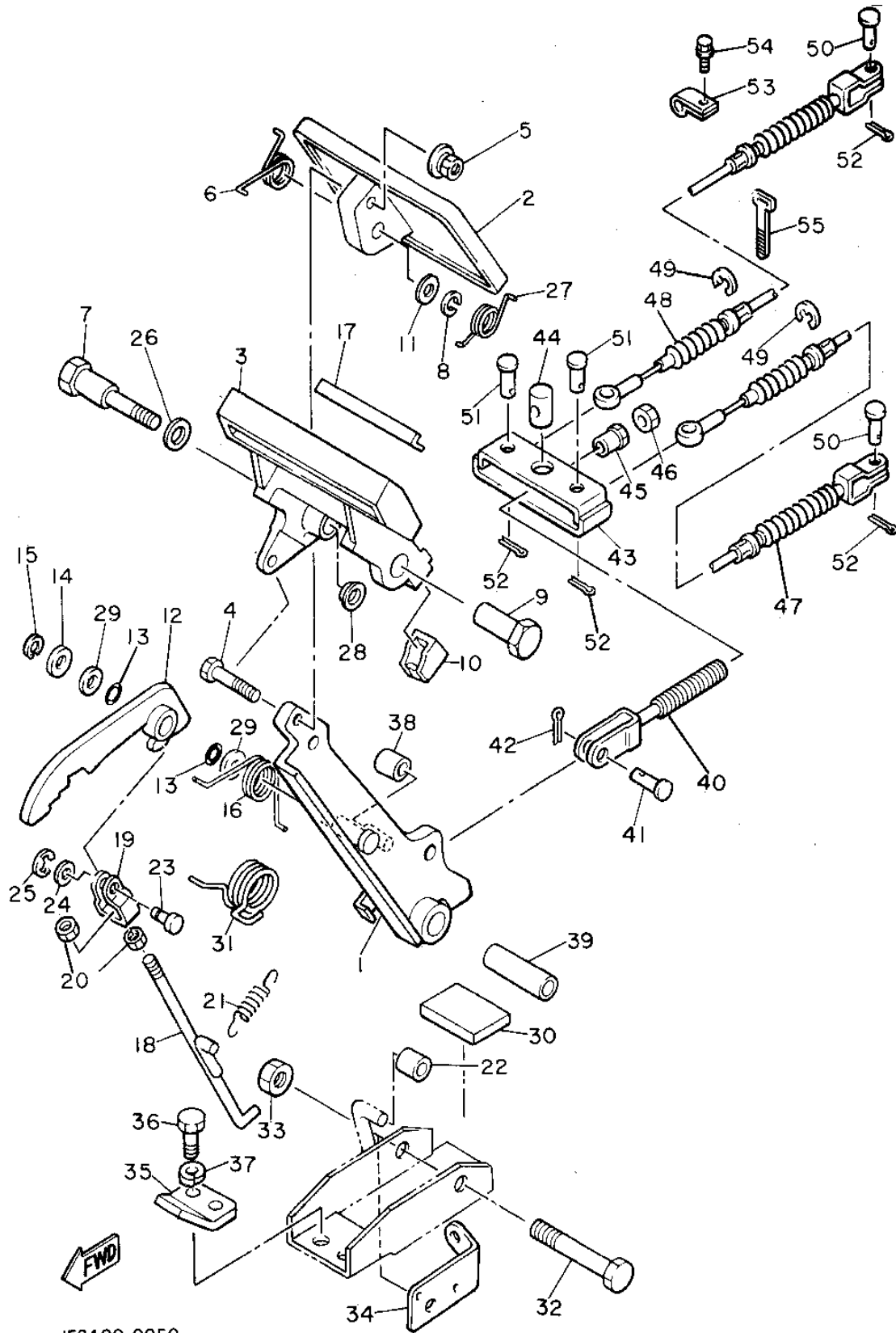


JF3100-0050

| Ref. No. | Part Number | Description | Qty | Remarks |
|----------|-----------------|--------------------------|-----|---------|
| 1 | J46-27250-02-00 | BRAKE ARM COMP. | 1 | |
| 2 | J10-27211-00-00 | PEDAL, BRAKE | 1 | |
| 3 | J17-25670-01-00 | PARKING PEDAL COMP. | 1 | |
| 4 | 90101-06555-00 | BOLT, HEX. | 1 | |
| 5 | 90179-07564-00 | NUT | 1 | |
| 6 | 90508-23542-00 | SPRING, TORSION | 1 | |
| 7 | 90109-08669-00 | BOLT | 1 | |
| 8 | 92902-08100-00 | WASHER, SPRING | 1 | |
| 9 | 90179-08378-00 | NUT | 1 | |
| 10 | J17-25679-01-00 | DAMPER | 2 | |
| 11 | 92990-08200-00 | WASHER, PLAIN | 1 | |
| 12 | J17-W2561-00-00 | SECTOR, PARKING BRAKE .. | 1 | |
| 13 | J17-27221-00-00 | SEAL, SHAFT | 2 | |
| 14 | 92990-10600-00 | WASHER, PLATE | 1 | |
| 15 | 99080-07600-00 | CIRCLIP (E) | 1 | |
| 16 | 90508-14548-00 | SPRING, TORSION | 1 | |
| 17 | J17-25672-01-00 | PAD, PARKING | 1 | |
| 18 | J17-27231-02-00 | ROD, BRAKE | 1 | |
| 19 | J17-27232-00-00 | END, ROD | 1 | |
| 20 | 95380-06700-00 | NUT | 2 | |
| 21 | 90506-12277-00 | SPRING, TENSION | 1 | |
| 22 | J17-25673-00-00 | DAMPER, BRAKE | 1 | |
| 23 | J17-27228-00-00 | PIN, LINK JOINT | 1 | |
| 24 | 92901-05600-00 | WASHER, PLATE | 1 | |
| 25 | 99080-04600-00 | CIRCLIP (E) | 1 | |
| 26 | 90201-123F2-00 | WASHER, PLAIN | 1 | |
| 27 | 90508-26557-00 | SPRING, TORSION | 1 | |
| 28 | 90380-12105-00 | BUSH, SOLID | 1 | |
| 29 | 90201-104G8-00 | WASHER, PLAIN | 2 | |

CONTINUED ON NEXT FRAME ►

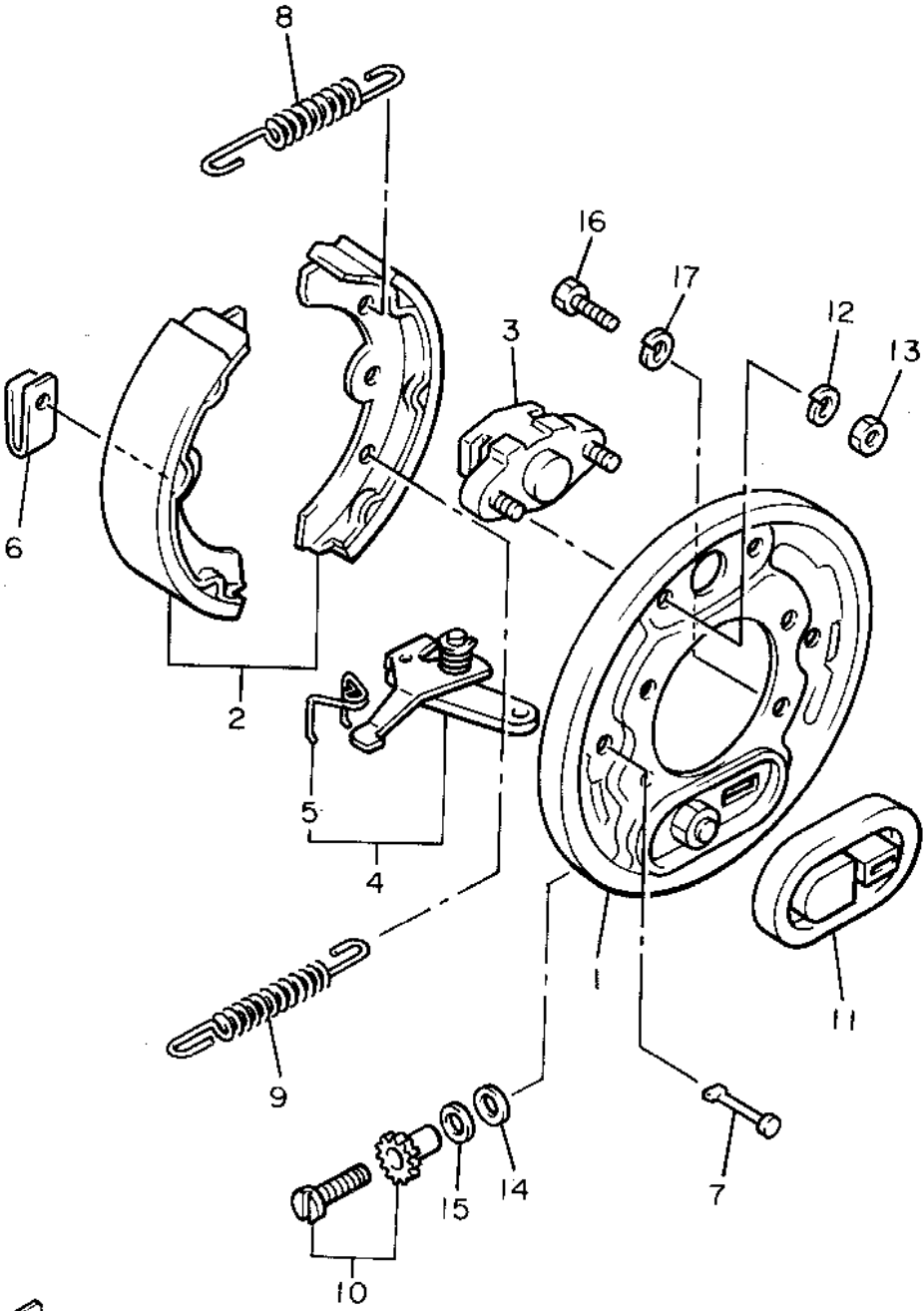
BRAKE



| Ref. No. | Part Number | Description | Qty | Remarks |
|----------|-----------------|-------------------------|-----|---------|
| 30 | J17-27245-00-00 | PAD, BRAKE PEDAL | 1 | |
| 31 | 90508-40543-00 | SPRING, TORSION | 1 | |
| 32 | 90101-10447-00 | BOLT, HEX. | 1 | |
| 33 | 95601-10100-00 | NUT, U (95602-10100-00) | 1 | |
| 34 | J55-2252M-00-00 | BRACKET, | 1 | |
| 35 | J17-27246-00-00 | NAIL, BRAKE | 1 | |
| 36 | 97313-08020-00 | BOLT, HEXAGON | 2 | |
| 37 | 92902-08100-00 | WASHER, SPRING | 2 | |
| 38 | J17-25673-00-00 | DAMPER, BRAKE | 1 | |
| 39 | 90387-107F8-00 | COLLAR | 1 | |
| 40 | JF2-25685-00-00 | ROD | 1 | |
| 41 | 91701-10022-00 | PIN | 1 | |
| 42 | 91490-30020-00 | PIN, COTTER | 1 | |
| 43 | JF2-25681-00-00 | EQUALIZER, BRAKE | 1 | |
| 44 | 90249-14129-00 | PIN | 1 | |
| 45 | 90179-08261-00 | NUT | 1 | |
| 46 | 95303-08700-00 | NUT | 1 | |
| 47 | JF2-F6341-00-00 | CABLE, BRAKE | 1 | |
| 48 | JF2-F6351-00-00 | CABLE, BRAKE | 1 | |
| 49 | 99001-09600-00 | CIRCLIP | 4 | |
| 50 | 91701-08018-00 | PIN | 2 | |
| 51 | 91701-08026-00 | PIN | 2 | |
| 52 | 91490-25020-00 | PIN, COTTER | 4 | |
| 53 | 90461-12117-00 | CLAMP | 2 | |
| 54 | 95811-06012-00 | BOLT, FLANGE | 2 | |
| 55 | JF2-82591-00-00 | BAND | 1 | |

JF3100-0050

BRAKE 2

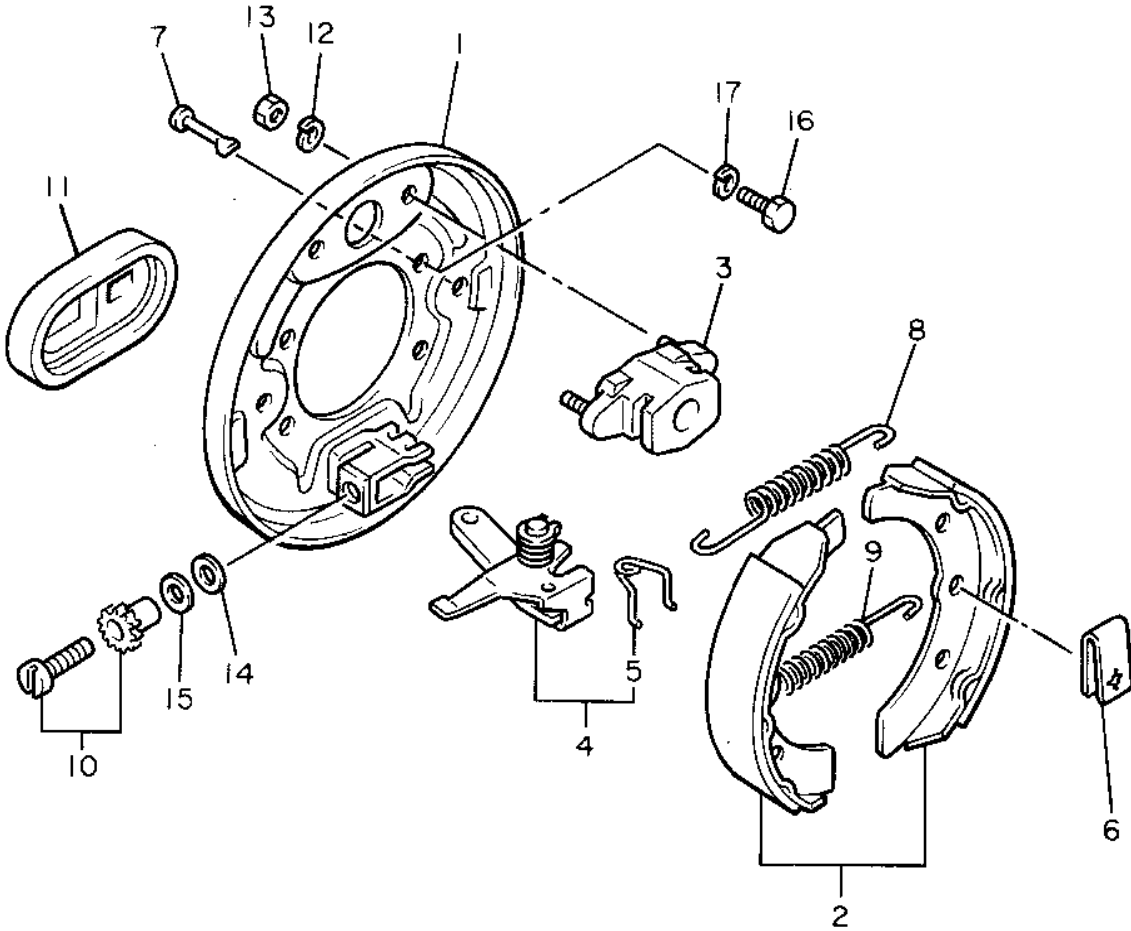


| Ref. No. | Part Number | Description | Qty | Remarks |
|----------|-----------------|------------------------------------|-----|---------|
| 1 | J17-27209-00-00 | BACKING PLATE SUB ASSEMBLY 2 (L.H) | 1 | |
| 2 | J55-W2536-00-00 | BRAKE SHOE SET | 1 | |
| 3 | J17-27206-00-00 | ANCHOR BODY COMP. | 1 | |
| 4 | J38-27205-00-00 | LEVER ASSEMBLY 2 | 1 | |
| 5 | J55-25357-00-00 | . SPRING, LEVER | 1 | |
| 6 | J10-27281-00-00 | SPRING, SHOE CLAMP | 2 | |
| 7 | J10-27282-00-00 | PIN, SHOE HOLD DOWN | 2 | |
| 8 | 90506-20281-00 | SPRING, TENSION | 1 | |
| 9 | 90506-26191-00 | SPRING, TENSION | 1 | |
| 10 | J55-27260-00-00 | ADJUSTER ASSEMBLY | 1 | |
| 11 | J10-27286-00-00 | COVER, DUST | 1 | |
| 12 | 92995-06100-00 | WASHER, SPRING | 2 | |
| 13 | 95380-06600-00 | NUT | 2 | |
| 14 | 90201-121H8-00 | WASHER, PLATE | 1 | |
| 15 | 90201-121H9-00 | WASHER, PLATE | 2 | |
| 16 | 97011-08016-00 | BOLT | 4 | |
| 17 | 92902-08100-00 | WASHER, SPRING | 4 | |



JG5100-1170

BRAKE 3

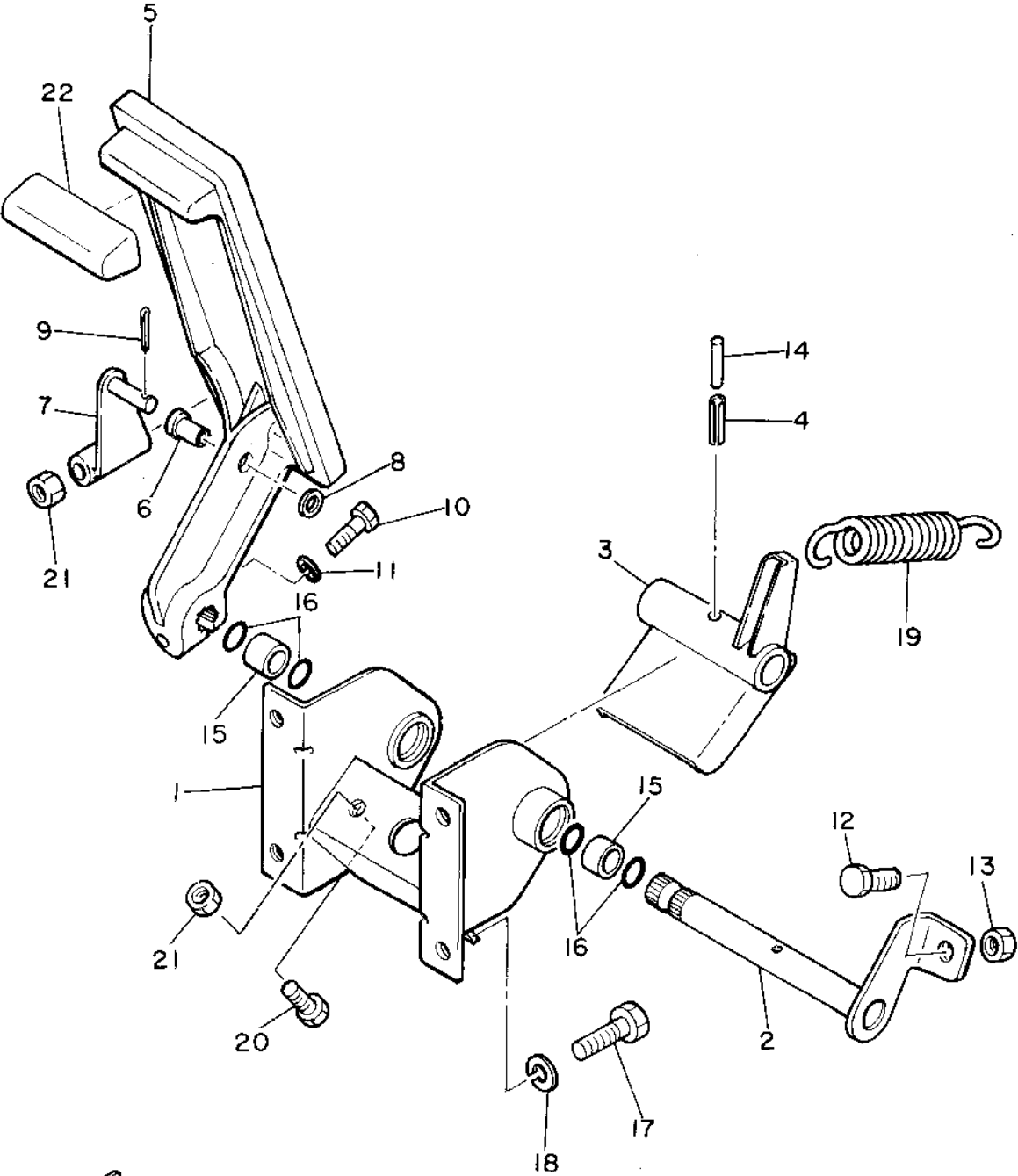


| Ref. No. | Part Number | Description | Qty | Remarks |
|----------|-----------------|------------------------------------|-----|---------|
| 1 | J17-27208-00-00 | BACKING PLATE SUB ASSEMBLY 1 (R.H) | 1 | |
| 2 | J55-W2536-00-00 | BRAKE SHOE SET | 1 | |
| 3 | J17-27206-00-00 | ANCHOR BODY COMP. | 1 | |
| 4 | J38-27204-00-00 | LEVER ASSEMBLY 1 | 1 | |
| 5 | J55-25358-00-00 | . SPRING LEVER | 1 | |
| 6 | J10-27281-00-00 | SPRING, SHOE CLAMP | 2 | |
| 7 | J10-27282-00-00 | PIN, SHOE HOLD DOWN | 2 | |
| 8 | 90506-20281-00 | SPRING, TENSION | 1 | |
| 9 | 90506-26191-00 | SPRING, TENSION | 1 | |
| 10 | J55-27270-00-00 | ADJUSTER ASSEMBLY | 1 | |
| 11 | J10-27286-00-00 | COVER, DUST | 1 | |
| 12 | 92995-06100-00 | WASHER, SPRING | 2 | |
| 13 | 95380-06600-00 | NUT | 2 | |
| 14 | 90201-121H8-00 | WASHER, PLATE | 1 | |
| 15 | 90201-121H9-00 | WASHER, PLATE | 1 | |
| 16 | 97011-08016-00 | BOLT | 4 | |
| 17 | 92902-08100-00 | WASHER, SPRING | 4 | |



JG5100-1160

ACCELERATOR

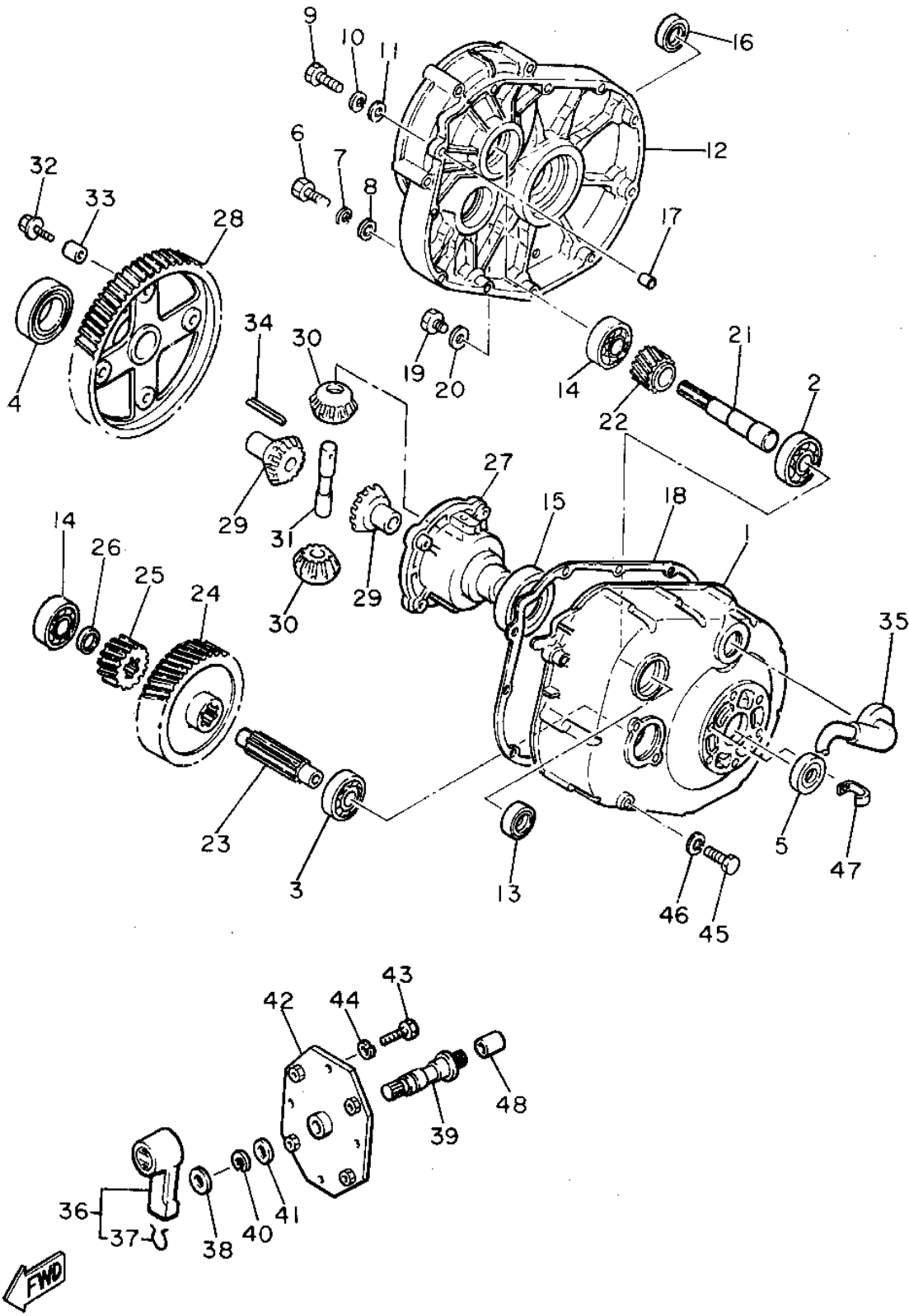


| Ref. No. | Part Number | Description | Qty | Remarks |
|----------|-----------------|--------------------------|-----|---------|
| 1 | J41-27874-00-00 | BRACKET, ACCELERATOR | | |
| | | PEDAL | 1 | |
| 2 | J17-27853-00-00 | SHAFT, PEDAL 1 | 1 | |
| 3 | J22-27872-00-00 | ARM, ACCELERATOR | 1 | |
| 4 | 91609-60028-00 | PIN, SPRING | 1 | |
| 5 | JF3-27871-00-00 | PEDAL, ACCELERATOR | 1 | |
| 6 | 90381-06033-00 | BUSH, SOLID | 1 | |
| 7 | J14-27815-00-00 | LEVER, CRANK | 1 | |
| 8 | 92990-06600-00 | WASHER, PLATE | 1 | |
| 9 | 91490-20020-00 | PIN, COTTER | 1 | |
| 10 | 97011-06025-00 | BOLT (97001-06025) | 1 | |
| 11 | 92995-06100-00 | WASHER, SPRING | 1 | |
| 12 | 90106-08040-00 | BOLT, RD. HEX | 1 | |
| 13 | 95303-08700-00 | NUT | 1 | |
| 14 | 91609-35028-00 | PIN, SPRING | 1 | |
| 15 | 90384-14080-00 | BUSH, BIMETAL | 2 | |
| 16 | 93210-14104-00 | O-RING | 4 | |
| 17 | 97011-06016-00 | BOLT | 4 | |
| 18 | 92995-06100-00 | WASHER, SPRING | 4 | |
| 19 | 90506-26282-00 | SPRING, TENSION | 1 | |
| 20 | 97011-06025-00 | BOLT (97001-06025) | 1 | |
| 21 | 95380-06700-00 | NUT | 1 | |
| 22 | JF2-27854-00-00 | COVER, PEDAL | 1 | |



JH7100-3080

TRANSMISSION 1

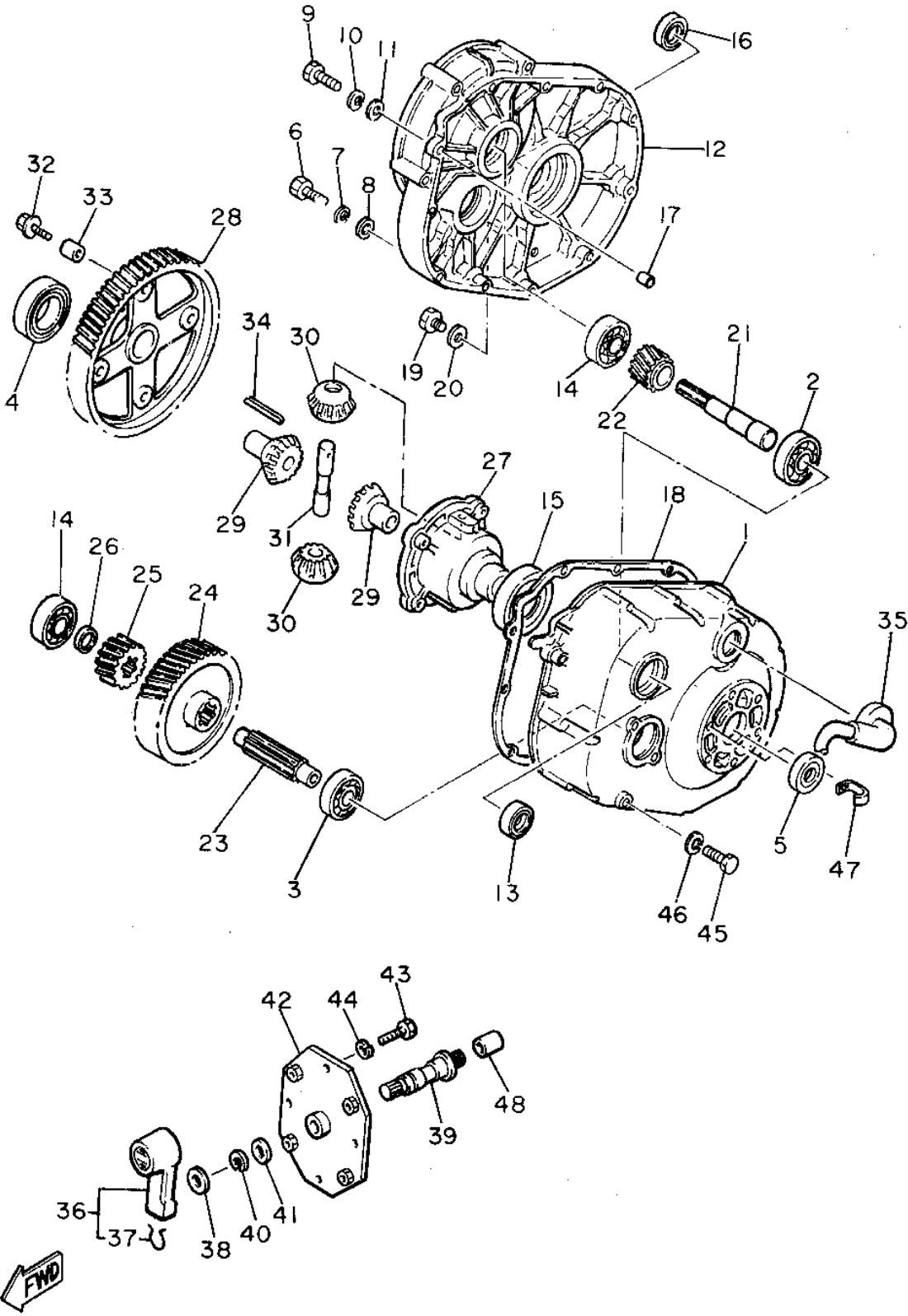


| Ref. No. | Part Number | Description | Qty | Remarks |
|----------|-----------------|-------------------------|-----|---------|
| 1 | J14-46311-00-00 | CASE, TRANSMISSION 1 | 1 | |
| 2 | 93306-20541-00 | BEARING (B6205) | 1 | |
| 3 | 93306-20421-00 | BEARING | 1 | |
| 4 | 93306-00804-00 | BEARING | 1 | |
| 5 | 93102-22189-00 | OIL SEAL | 1 | |
| 6 | 97021-08035-00 | BOLT | 9 | |
| 7 | 92990-08100-00 | WASHER | 9 | |
| 8 | 92901-08600-00 | WASHER | 9 | |
| 9 | 97021-08045-00 | BOLT | 2 | |
| 10 | 92990-08100-00 | WASHER | 2 | |
| 11 | 92901-08600-00 | WASHER | 2 | |
| 12 | J14-46312-02-00 | CASE, TRANSMISSION 2 | 1 | |
| 13 | 93102-20143-00 | OIL SEAL | 1 | |
| 14 | 93306-20421-00 | BEARING | 2 | |
| 15 | 93306-00804-00 | BEARING | 1 | |
| 16 | 93102-22189-00 | OIL SEAL | 1 | |
| 17 | 99510-12016-00 | PIN, DOWEL | 2 | |
| 18 | J10-46319-01-00 | GASKET | 1 | |
| 19 | 90340-14036-00 | PLUG, STRAIGHT SCRW | 2 | |
| 20 | 90430-14043-00 | GASKET | 2 | |
| 21 | J14-46321-01-00 | SHAFT, INPUT | 1 | |
| 22 | J56-46331-00-00 | GEAR, INPUT 1 | 1 | |
| 23 | J10-46351-00-00 | SHAFT, COUNTER | 1 | |
| 24 | J56-46361-00-00 | GEAR, COUNTER 1 | 1 | |
| 25 | J17-46362-00-00 | GEAR, COUNTER 2 | 1 | |
| 26 | 90201-20272-00 | WASHER, PLATE | 1 | |
| 27 | J38-46411-01-00 | CASE, DIFFERENTIAL | 1 | |
| 28 | J41-46421-00-00 | GEAR, RING | 1 | |
| 29 | J38-46414-00-00 | GEAR, DIFFERENTIAL SIDE | 2 | |

CONTINUED ON NEXT FRAME ➤

JF3100-0080

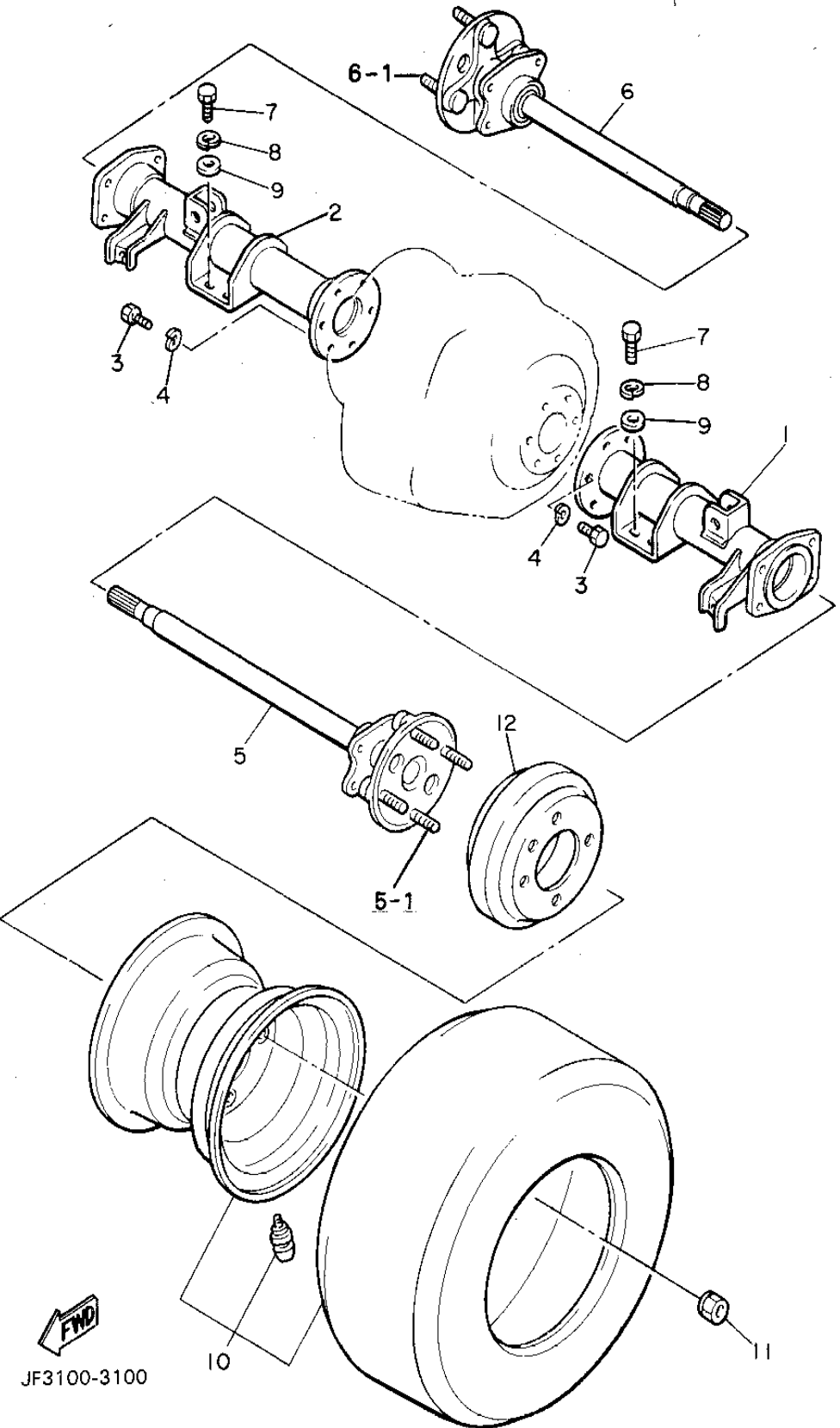
TRANSMISSION 1



| Ref. No. | Part Number | Description | Qty | Remarks |
|----------|-----------------|----------------------------|-----|---------|
| 30 | J38-46415-00-00 | PINION, DIFFERENTIAL | 2 | |
| 31 | J38-46417-02-00 | PIN, DIFFERENTIAL | 1 | |
| 32 | 90105-08390-00 | BOLT, WASHER BASED | 4 | |
| 33 | 91812-16001-00 | PIN, DOWEL | 2 | |
| 34 | 91609-40040-00 | PIN, SPRING | 1 | |
| 35 | 835-47559-00-00 | CAP 2 | 1 | |
| 36 | JF2-46370-00-00 | SHIFT ASSEMBLY | 1 | |
| 37 | JF2-46376-00-00 | . SPRING | 1 | |
| 38 | 90201-201L9-00 | WASHER, PLAIN | 1 | |
| 39 | JF3-46392-00-00 | BAR 1 | 1 | |
| 40 | 99009-19400-00 | CIRCLIP | 1 | |
| 41 | 90201-19551-00 | WASHER, PLAIN | 1 | |
| 42 | JF3-46372-00-00 | BRACKET, SHIFT WIRE | 1 | |
| 43 | 97011-06016-00 | BOLT | 4 | |
| 44 | 92995-06100-00 | WASHER, SPRING | 4 | |
| 45 | 97011-10020-00 | BOLT | 2 | |
| 46 | 92901-10100-00 | WASHER, SPRING | 2 | |
| 47 | 90465-06100-00 | CLAMP | 1 | |
| 48 | J41-46394-00-00 | JOINT | 1 | |

JF3100-0080

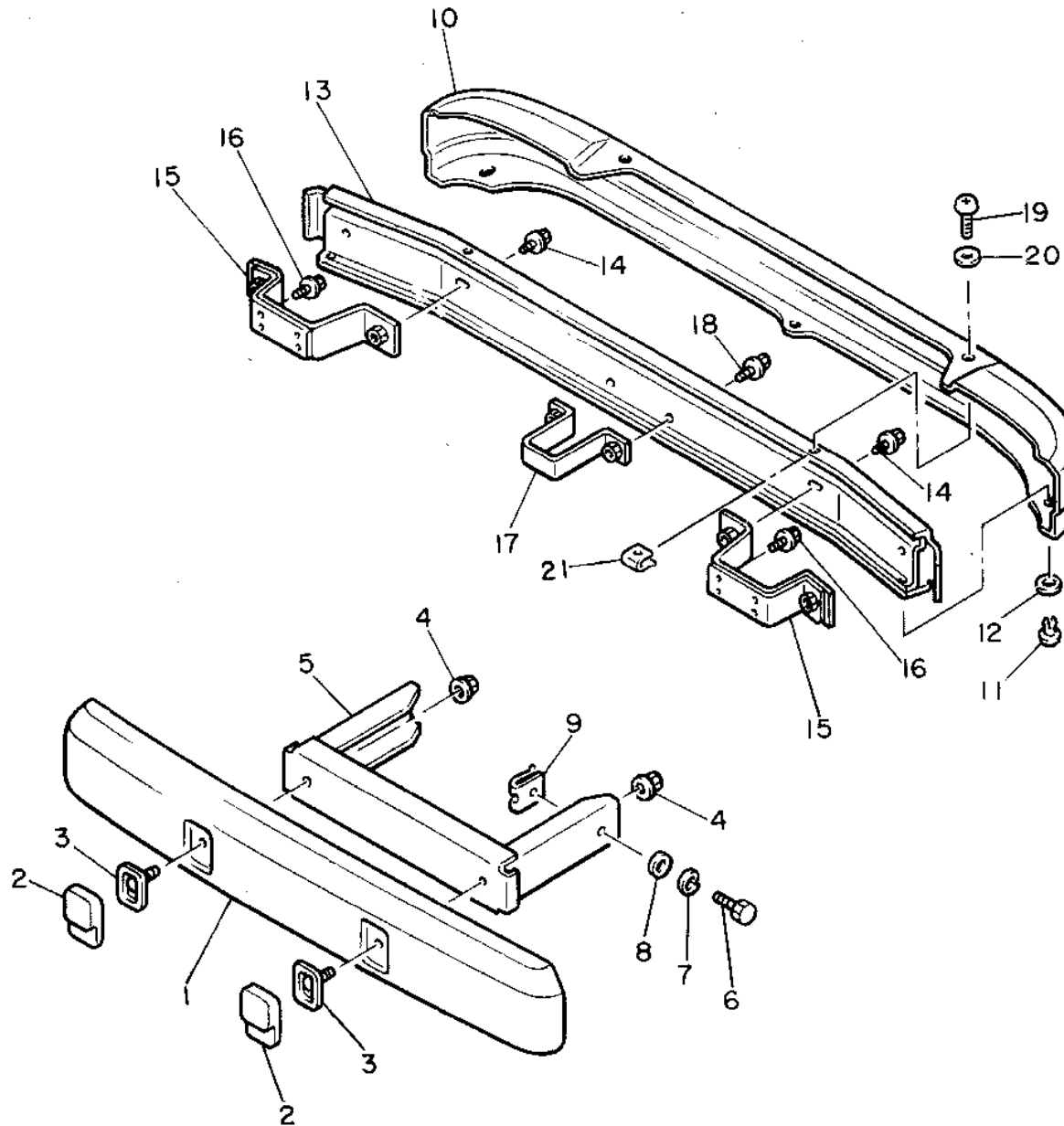
REAR AXLE - WHEEL



| Ref. No. | Part Number | Description | Qty | Remarks |
|----------|-----------------|---------------------------|-----|---------|
| 1 | JF3-46540-10-00 | REAR AXLE HOUSING COMP. | 1 | |
| 2 | JF3-46550-10-00 | REAR AXLE HOUSING COMP. 2 | 1 | |
| 3 | 97011-08025-00 | BOLT | 12 | |
| 4 | 92902-08100-00 | WASHER, SPRING | 12 | |
| 5 | JF3-46510-00-00 | REAR AXLE SHAFT COMP. ... | 1 | |
| 6 | JF3-46520-00-00 | REAR AXLE SHAFT COMP. 2 | 1 | |
| 7 | 97011-10020-00 | BOLT | 8 | |
| 8 | 92901-10100-00 | WASHER, SPRING | 8 | |
| 9 | 92990-10600-00 | WASHER, PLATE | 8 | |
| 10 | JG5-F5100-10-00 | REAR WHEEL ASSEMBLY | 2 | |
| 11 | 90179-12262-00 | NUT | 8 | |
| 12 | J55-G6521-00-00 | DRUM | 2 | |
| 5-1 | 90114-12004-00 | . BOLT, RIBBED NECK | 4 | |
| 6-1 | 90114-12004-00 | . BOLT, RIBBED NECK | 4 | |

JF3100-3100

BUMPER

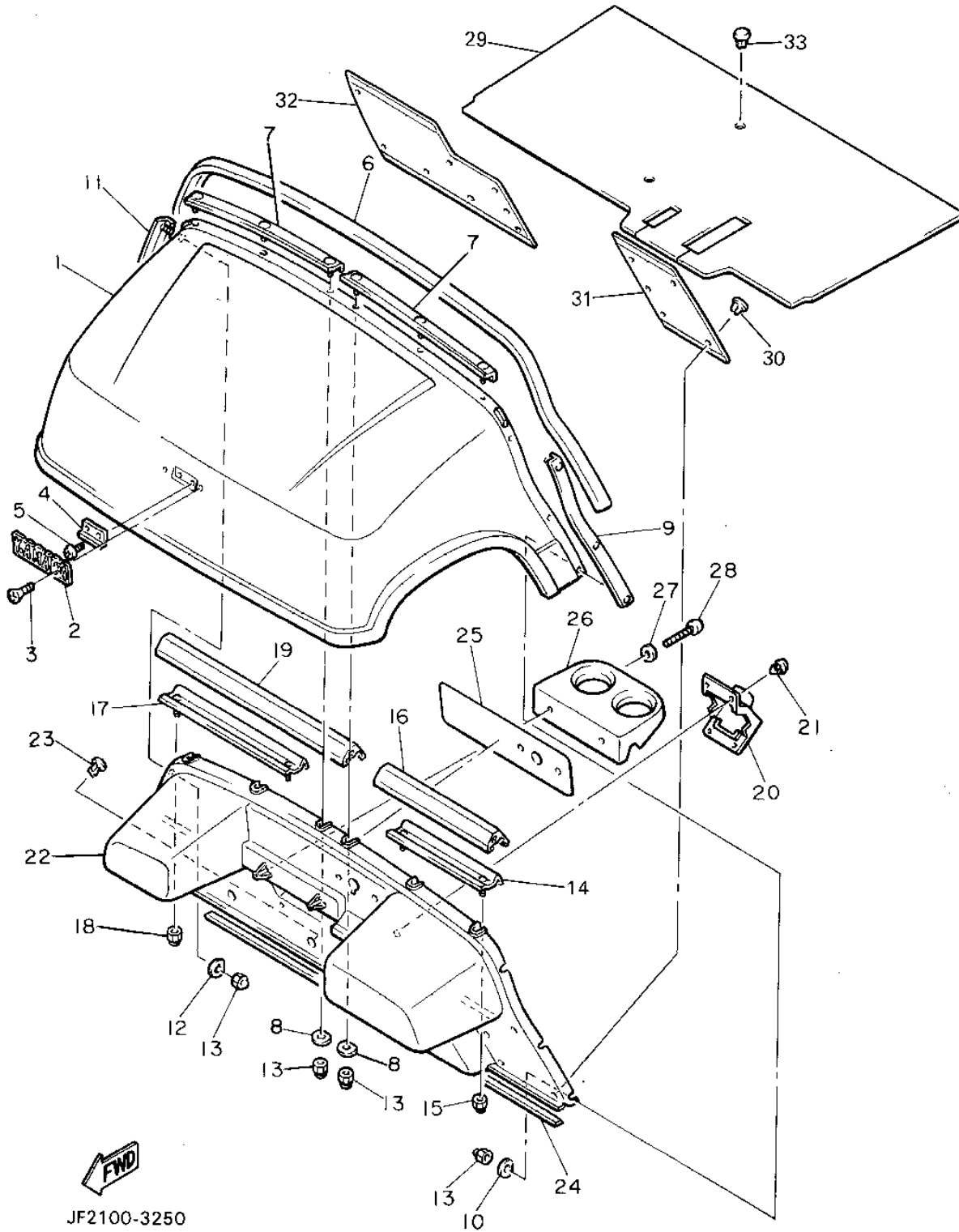


| Ref. No. | Part Number | Description | Qty | Remarks |
|----------|-----------------|---------------------------------|-----|---------------|
| 1 | JF2-K8163-01-00 | COVER, BUMPER | 1 | |
| 2 | JF2-77517-00-00 | CAP | 2 | |
| 3 | JF2-77527-00-00 | PLATE, BACK UP | 2 | |
| 4 | 95706-08500-00 | NUT, flange | 2 | |
| 5 | JF2-K7511-00-00 | BUMPER, FRONT 1 | 1 | |
| 6 | 97313-08020-00 | BOLT, HEXAGON | 2 | |
| 7 | 92902-08100-00 | WASHER, SPRING | 2 | |
| 8 | 92990-08600-00 | WASHER, PLATE | 2 | |
| 9 | JF2-77528-00-00 | NUT | 2 | |
| 10 | JF2-K817U-00-00 | COVER, REAR BUMPER | 1 | |
| 11 | 90267-63047-00 | RIVET, BLIND | 3 | |
| 12 | 90201-063J2-00 | WASHER, PLATE | 2 | |
| 13 | JF2-K8107-00-00 | BUMPER SUB-ASSEMBLY, REAR | 1 | |
| 14 | 95816-08016-00 | BOLT, FLANGE | 4 | |
| 15 | JF2-K8174-00-00 | STAY, REAR BUMPER | 2 | |
| 16 | 95816-08016-00 | BOLT, FLANGE | 6 | |
| 17 | JF2-K7521-00-00 | STOPPER, 1 | 1 | |
| 18 | 95816-08016-00 | BOLT, FLANGE | 2 | |
| 19 | 97706-50516-00 | SCREW, TAPPING | 2 | |
| 20 | 90201-05033-00 | WASHER, PLATE | 2 | |
| 21 | 90183-05042-00 | NUT, SPRING | 2 | |
| | G8E-PARTS-BO-AR | ASSEMBLY, HARDWARE | | OPTIONAL PART |



JF3100-3110

BODY

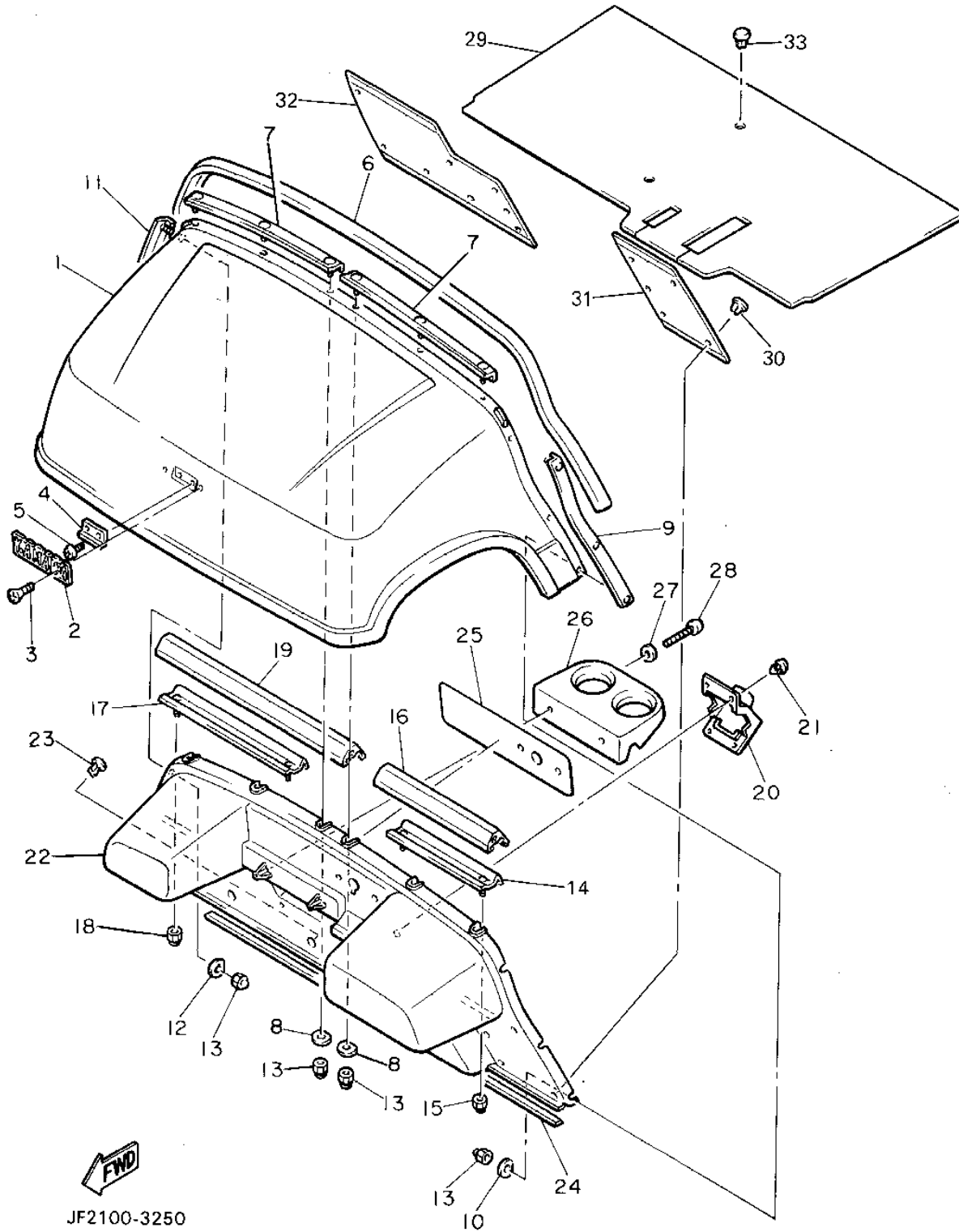


JF2100-3250

| Ref. No. | Part Number | Description | Qty | Remarks |
|----------|-----------------|---------------------------|-----|---------|
| 1 | JF2-K8115-00-00 | COWL, FRONT | 1 | |
| 2 | J38-24161-00-00 | EMBLEM 1 | 1 | |
| 3 | 90162-04002-00 | SCREW, OVAL C | 2 | |
| 4 | JF2-K811G-00-00 | BOLT, COWL FITTING | 1 | |
| 5 | 98980-06016-00 | SCREW, BINDING | 2 | |
| 6 | JF2-K811V-00-00 | PROTECTOR, | 1 | |
| 7 | JF2-K8261-00-00 | PLATE, BODY PROTECTOR .. | 2 | |
| 8 | JF2-78117-00-00 | PLATE 1 | 6 | |
| 9 | JF2-K8262-00-00 | PLATE, BODY PROTECTOR .. | 1 | |
| 10 | JF2-78117-00-00 | PLATE 1 | 3 | |
| 11 | JF2-K8263-00-00 | PLATE, BODY PROTECTOR .. | 1 | |
| 12 | JF2-78117-00-00 | PLATE 1 | 3 | |
| 13 | 90176-06069-00 | NUT, CROWN | 12 | |
| 14 | JF2-K8264-00-00 | PLATE, BODY PROTECTOR .. | 1 | |
| 15 | 95601-06100-00 | NUT, U | 2 | |
| 16 | JF2-K811W-00-00 | PROTECTOR 2 | 1 | |
| 17 | JF2-K8265-00-00 | PLATE, BODY PROTECTOR 5 . | 1 | |
| 18 | 95601-06100-00 | NUT, U | 2 | |
| 19 | JF2-K811X-00-00 | PROTECTOR 3 | 1 | |
| 20 | JF2-78273-00-00 | COVER, HOLE | 1 | |
| 21 | 90269-11042-00 | RIVET | 4 | |
| 22 | JF2-K8114-00-00 | PANEL, FRONT | 1 | |
| 23 | 90269-08069-00 | RIVET | 1 | |
| 24 | JF2-7815G-00-00 | SEAL, FRONT STORAGE | 1 | |
| 25 | JF3-77768-00-00 | LABEL, WARNING | 1 | |
| 26 | JF2-K835E-00-00 | HOLDER, BEVERAGE | 1 | |
| 27 | 90201-060A3-00 | WASHER, PLATE | 2 | |
| 28 | 97702-60130-00 | SCREW, TAPPING | 2 | |
| 29 | JF2-K8233-10-00 | MAT, MAIN FLOOR 3 | 1 | |

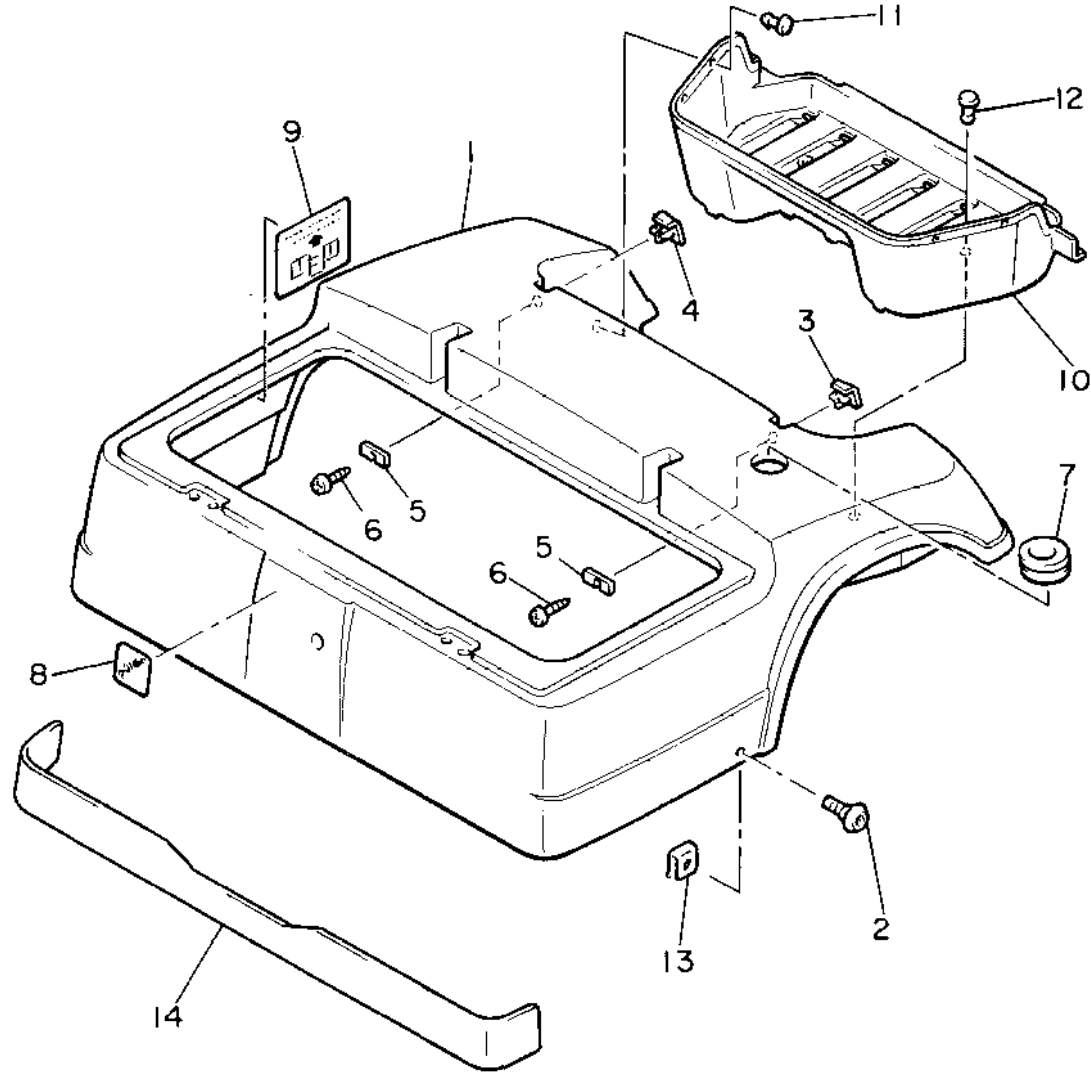
CONTINUED ON NEXT FRAME ►

BODY



| Ref. No. | Part Number | Description | Qty | Remarks |
|----------|-----------------|-------------------------|-----|-------------------------|
| 30 | 90267-63047-00 | RIVET, BLIND | 13 | |
| 31 | JF2-K8231-10-00 | MAT, MAIN FLOOR 1 | 1 | |
| 32 | JF2-K8232-10-00 | MAT, MAIN FLOOR 2 | 1 | |
| 33 | 90269-07064-00 | RIVET | 2 | |
| | PNT-90000-K0-91 | PAINT | | OPTIONAL PART ALMOND |

BODY 2

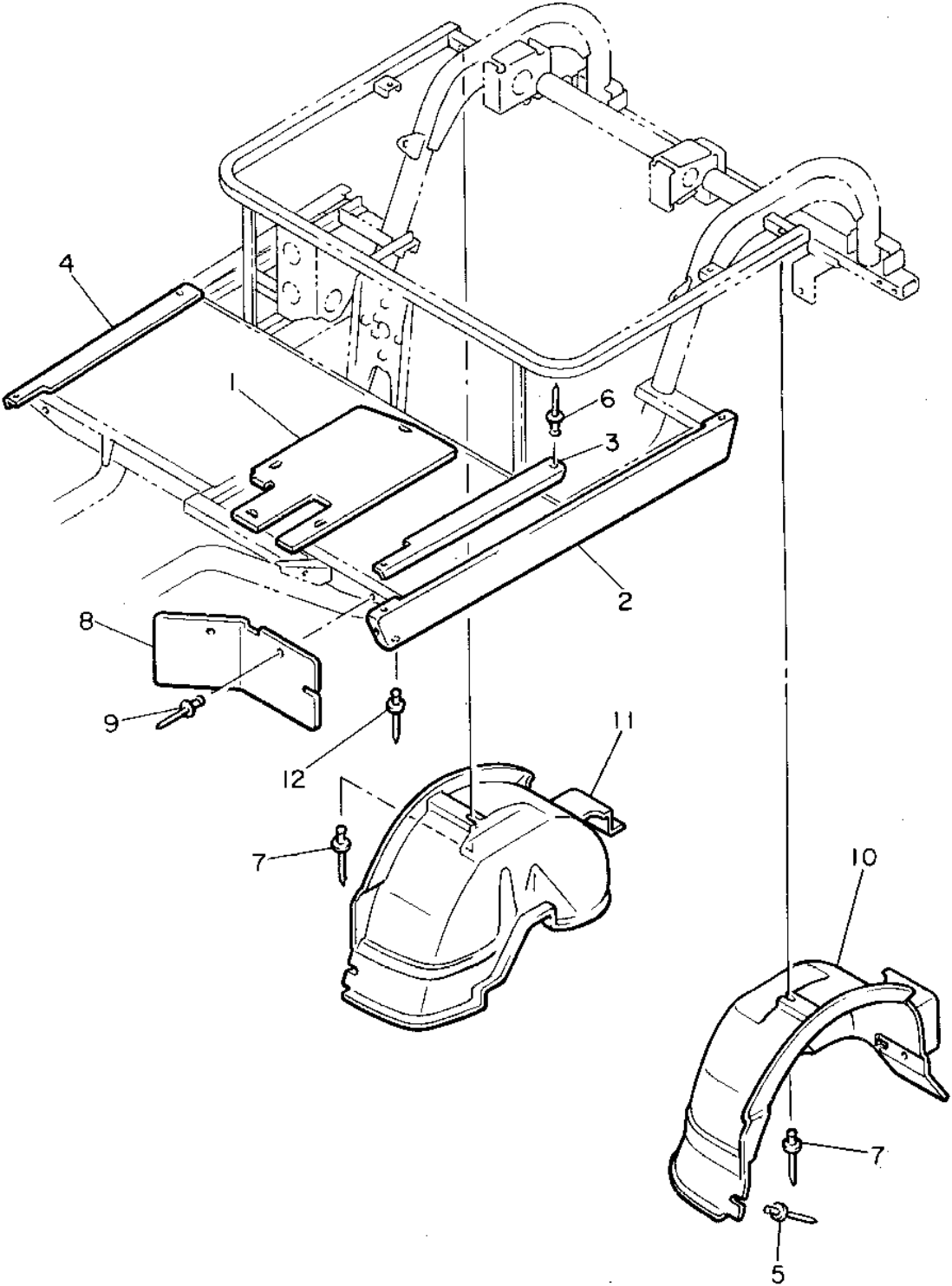


| Ref. No. | Part Number | Description | Qty | Remarks |
|----------|-----------------|--------------------------|-----|-------------------------|
| 1 | JF3-K8142-00-00 | PANEL, REAR BODY | 1 | |
| 2 | 90110-06078-00 | BOLT, HEXAGON SOCKET ... | 2 | |
| 3 | JF2-K8283-00-00 | COVER, 3 | 1 | |
| 4 | JF2-K8284-00-00 | COVER, 4 | 1 | |
| 5 | JF2-78118-00-00 | PLATE 2 | 2 | |
| 6 | 97780-60116-00 | SCREW, TAPPING | 2 | |
| 7 | 90480-85523-00 | GROMMET | 1 | |
| 8 | JF2-77741-00-00 | INDICATOR 1 | 1 | |
| 9 | JF3-77765-00-00 | LABEL, WARNING 5 | 1 | |
| 10 | JF2-K8237-00-00 | COVER, REAR FLOOR | 1 | |
| 11 | 90269-08069-00 | RIVET | 7 | |
| 12 | 90267-63047-00 | RIVET, BLIND | 2 | |
| 13 | 90183-06028-00 | NUT, SPRING | 2 | |
| 14 | G8E-PARTS-BO-AR | ASSEMBLY, HARDWARE | | OPTIONAL PART |
| | JF2-K814N-00-00 | PLATE, ORNAMENT | 1 | |
| | PNT-90000-K0-91 | PAINT | | OPTIONAL PART ALMOND |



JF3100-3130

BODY FITTING

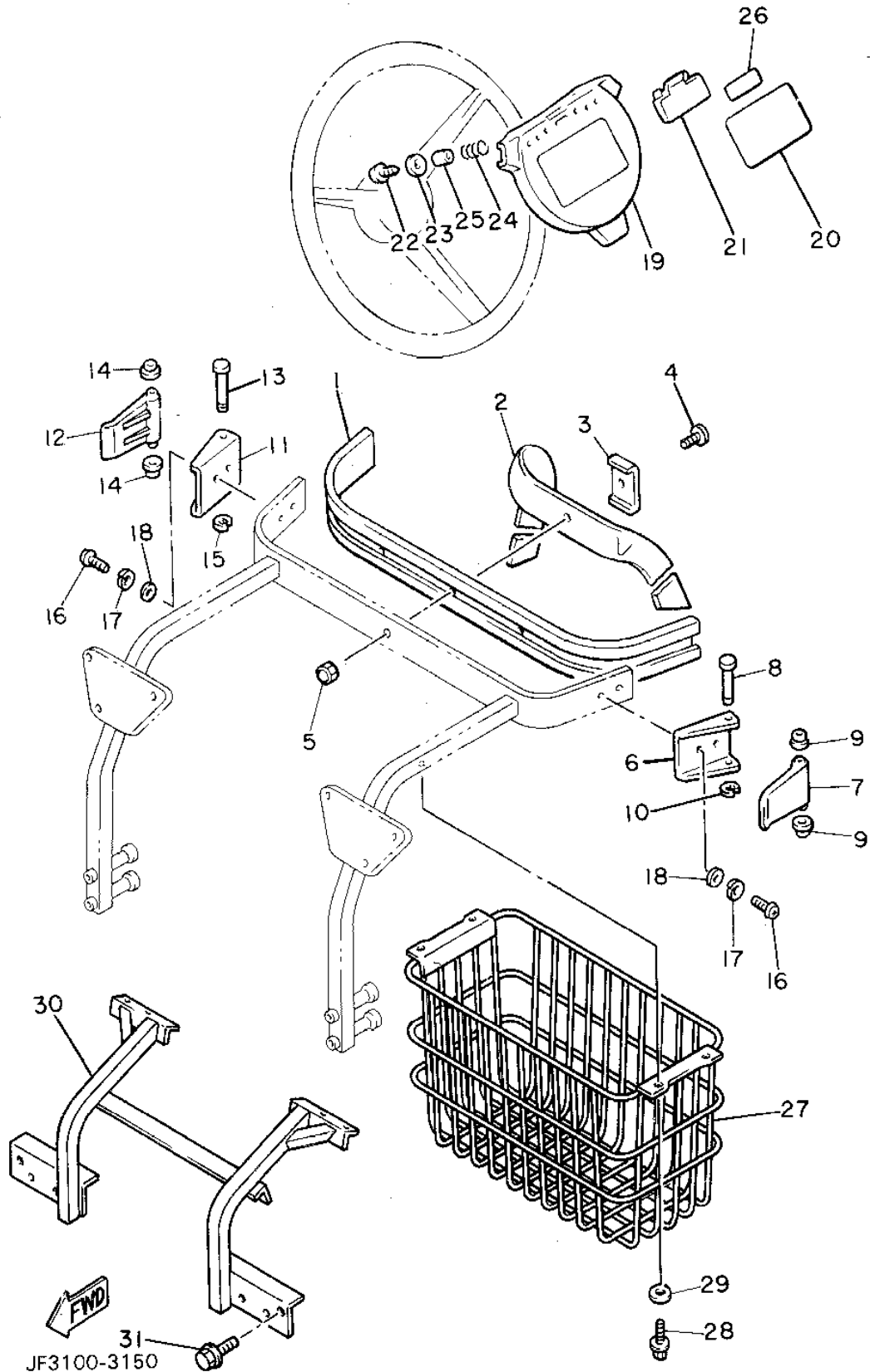


| Ref. No. | Part Number | Description | Qty | Remarks |
|----------|-----------------|--------------------------|-----|---------|
| 1 | JF2-K8271-00-00 | SERVICE LID, PEDAL | 1 | |
| 2 | JF2-K818A-00-00 | PROTECTOR, SIDE | 2 | |
| 3 | JF2-K8215-10-00 | PLATE, SIDE TRIM | 1 | |
| 4 | JF2-K821F-10-00 | PLATE, SIDE TRIM | 1 | |
| 5 | 90267-48086-00 | RIVET, BLIND | 6 | |
| 6 | 90267-48154-00 | RIVET, BLIND | 4 | |
| 7 | 90267-48086-00 | RIVET, BLIND | 6 | |
| 8 | JF2-K8187-00-00 | FLAP, FRONT FENDER (L.H) | 2 | |
| 9 | 90267-48101-00 | RIVET, BLIND | 4 | |
| 10 | JF2-K8191-00-00 | PANEL, REAR FENDER | 1 | |
| 11 | JF2-K8192-00-00 | PANEL, REAR FENDER | 1 | |
| 12 | 90267-48101-00 | RIVET, BLIND | 6 | |



JF3100-0130

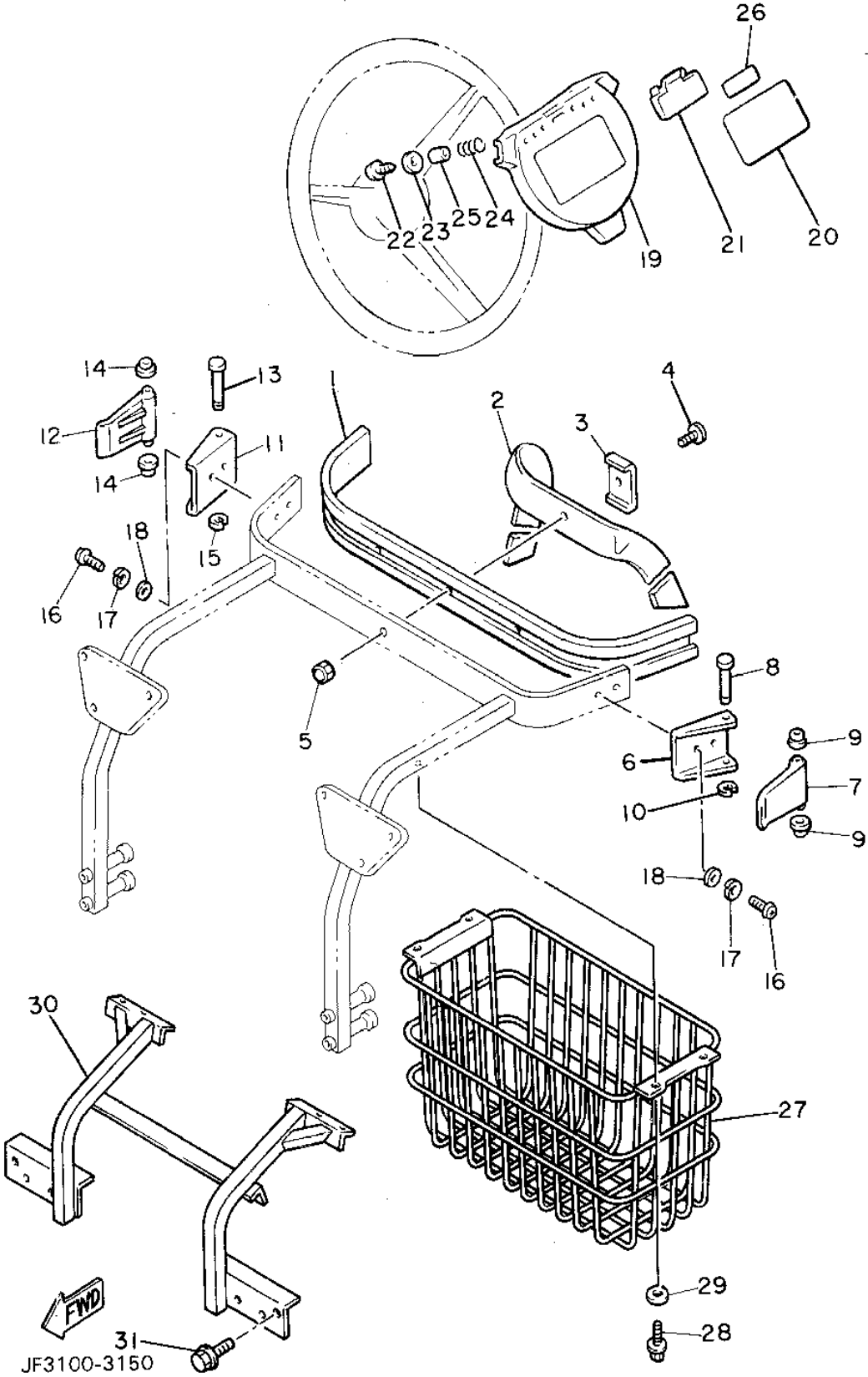
CARRIER



| Ref. No. | Part Number | Description | Qty | Remarks |
|----------|-----------------|--|-----|--------------|
| 1 | JF2-K8356-00-00 | PAD, BAG SUPPORT | 1 | |
| 2 | JF2-K8355-00-00 | BAND | 1 | |
| 3 | J38-78367-00-00 | PLATE, ANCHOR | 1 | |
| 4 | 98980-06016-00 | SCREW, BINDING | 1 | |
| 5 | 95380-06800-00 | NUT | 1 | |
| 6 | J17-78157-01-00 | BASE, LOCK | 1 | |
| 7 | J17-78368-01-00 | LEVER, LOCK | 1 | |
| 8 | J17-78369-00-00 | PIN, LEVER | 1 | |
| 9 | 90386-06108-00 | BUSH | 2 | |
| 10 | 99080-05600-00 | CIRCLIP | 1 | |
| 11 | J17-78157-01-00 | BASE, LOCK | 1 | |
| 12 | J17-78368-01-00 | LEVER, LOCK | 1 | |
| 13 | J17-78369-00-00 | PIN, LEVER | 1 | |
| 14 | 90386-06108-00 | BUSH | 2 | |
| 15 | 99080-05600-00 | CIRCLIP | 1 | |
| 16 | 98580-06010-00 | SCREW, PAN HEAD (92503-06010) | 4 | |
| 17 | 92995-06100-00 | WASHER, SPRING | 4 | |
| 18 | 92990-06200-00 | WASHER | 4 | |
| 19 | J55-K8357-00-00 | HOLDER 1 | 1 | J38-78357-00 |
| 20 | J50-77762-00-00 | LABEL, WARNING 2 | 1 | |
| 21 | J55-K8358-00-00 | HOLDER 2 | 1 | J38-78358-01 |
| 22 | 97706-40525-00 | SCREW, TAPPING | 2 | |
| 23 | 90201-044H9-00 | WASHER, PLAIN | 2 | |
| 24 | 90502-10013-00 | SPRING, CONICAL | 2 | |
| 25 | 90387-046N7-00 | COLLAR | 2 | |
| 26 | J51-77763-00-00 | LABEL, WARNING 3 | 1 | |
| 27 | JF2-K8340-02-00 | LUGGAGE RACK ASSEMBLY., REAR | 1 | |

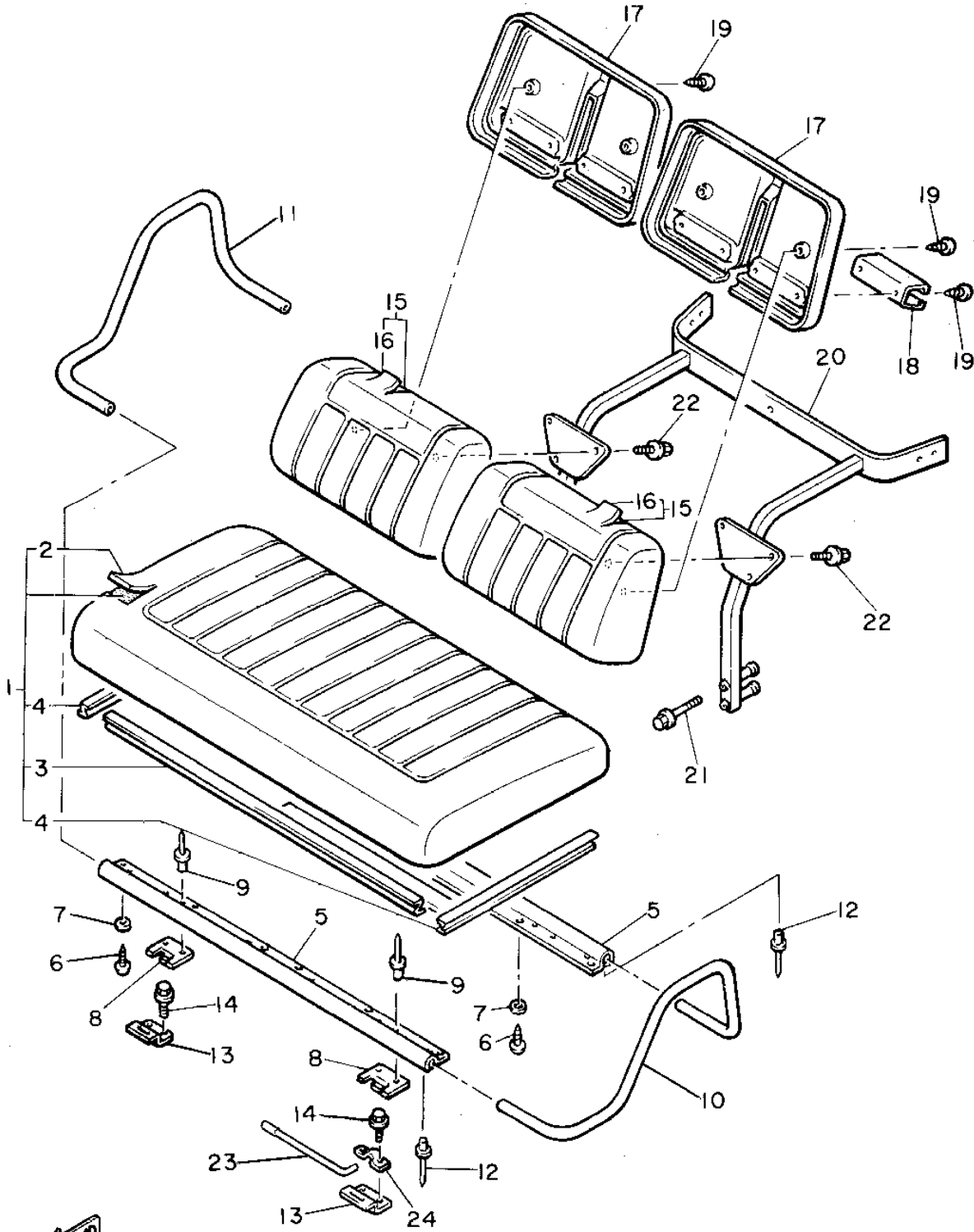
CONTINUED ON NEXT FRAME ►

CARRIER



| Ref. No. | Part Number | Description | Qty | Remarks |
|----------|-----------------|-----------------------|-----|---------|
| 28 | 95805-08016-00 | BOLT, FLANGE | 4 | |
| 29 | 90201-08103-00 | WASHER, PLAIN | 4 | |
| 30 | JF2-K831F-01-00 | SUPPORT, ROOF 5 | 1 | |
| 31 | 95821-08025-00 | BOLT, FLANGE | 4 | |

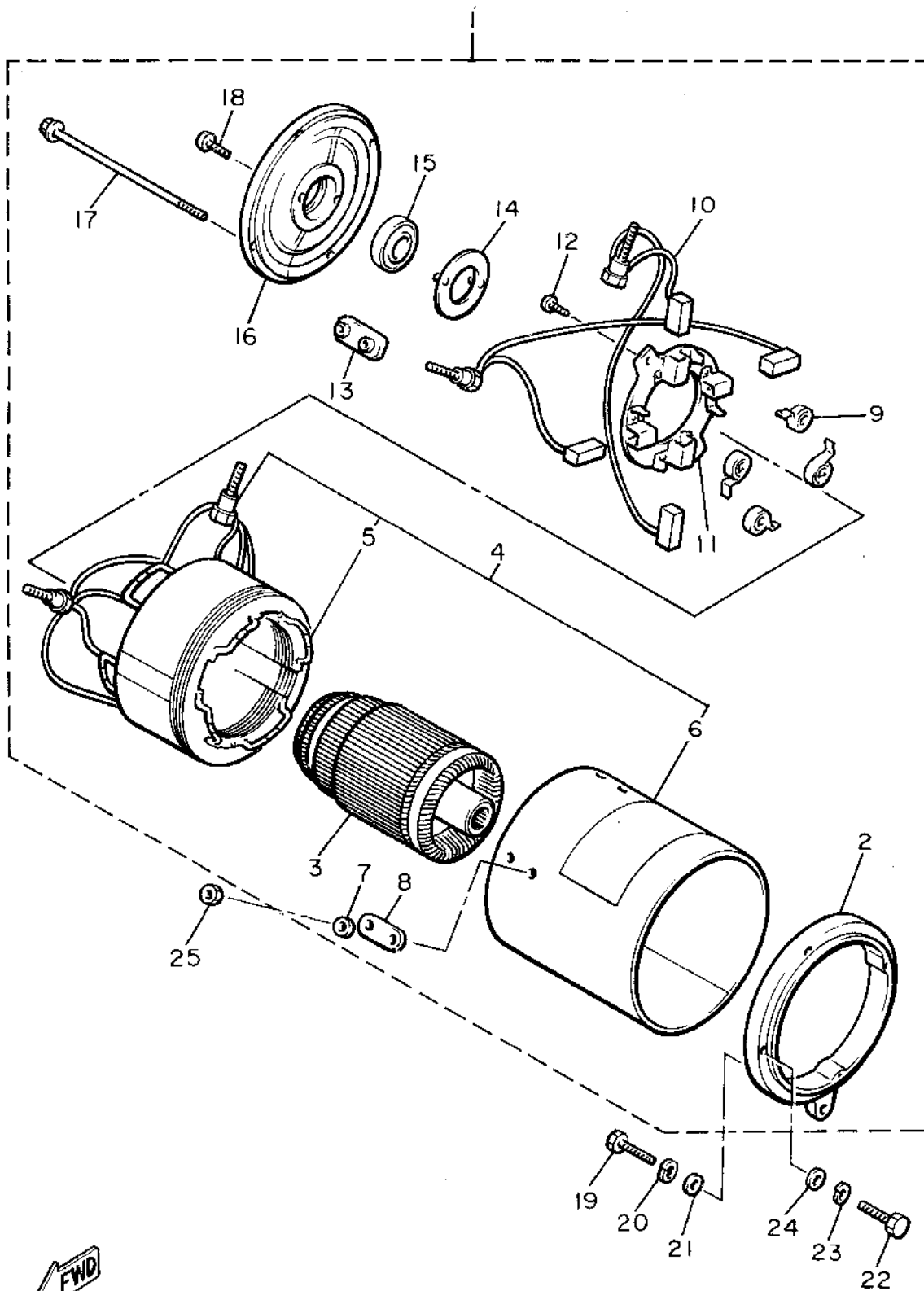
SEAT



| Ref. No. | Part Number | Description | Qty | Remarks |
|----------|-----------------|----------------------------|------|---------------|
| 1 | JF2-K8401-01-00 | SEAT SUB-ASSEMBLY, CUSHION | 1 | |
| 2 | JF2-K8404-09-00 | . COVER, SEAT | 1 | |
| 3 | JF2-K8425-01-00 | . SEAL, SEAT | 1 | |
| 4 | JF2-K842A-01-00 | . SEAL, SEAT 2 | 2 | |
| 5 | JF2-K8121-01-00 | REINFORCEMENT 1 | 2 | |
| 6 | 97780-60525-00 | SCREW, TAPPING | 12 | |
| 7 | 90201-06M02-00 | WASHER, PLATE | 12 | |
| 8 | JF2-K8426-00-00 | HINGE, SEAT 1 | 2 | |
| 9 | 90267-48084-00 | RIVET, BLIND | 4 | |
| 10 | JF2-K8361-01-00 | ARM REST 1 | 1 | |
| 11 | JF2-K8362-01-00 | ARM REST 2 | 1 | |
| 12 | 90267-48084-00 | RIVET, BLIND | 8 | |
| 13 | JF2-K8427-00-00 | HINGE, SEAT FEMALE | 2 | |
| 14 | 95805-06020-00 | BOLT, FLANGE | 4 | |
| 15 | JF2-K8402-01-00 | SEAT SUB ASSEMBLY, BACK | 2 | |
| 16 | JF2-K841G-09-00 | . COVER, SEAT BACK 2 | 1 | |
| 17 | JF2-K8413-00-00 | COVER, SEAT BACK | 2 | |
| 18 | J55-K835A-00-00 | HOLDER, BALL | 2 | J38-7835A-01 |
| 19 | 90163-06801-00 | SCREW, TAPPING | 12 | |
| 20 | JF2-K8423-03-00 | SUPPORT, SEAT BACK | 1 | |
| 21 | 95815-08075-00 | BOLT, FLANGE | 4 | |
| 22 | 95805-06020-00 | BOLT, FLANGE | 6 | |
| 23 | JF2-K8421-00-00 | SUPPORT, SEAT | 1 | |
| 24 | G8E-PARTS-BO-AR | ASSEMBLY, HARDWARE | | OPTIONAL PART |
| | JF2-K8422-00-00 | BRACKET, SEAT SUPPORT | 1 | |

JF3100-3160

ELECTRIC MOTOR

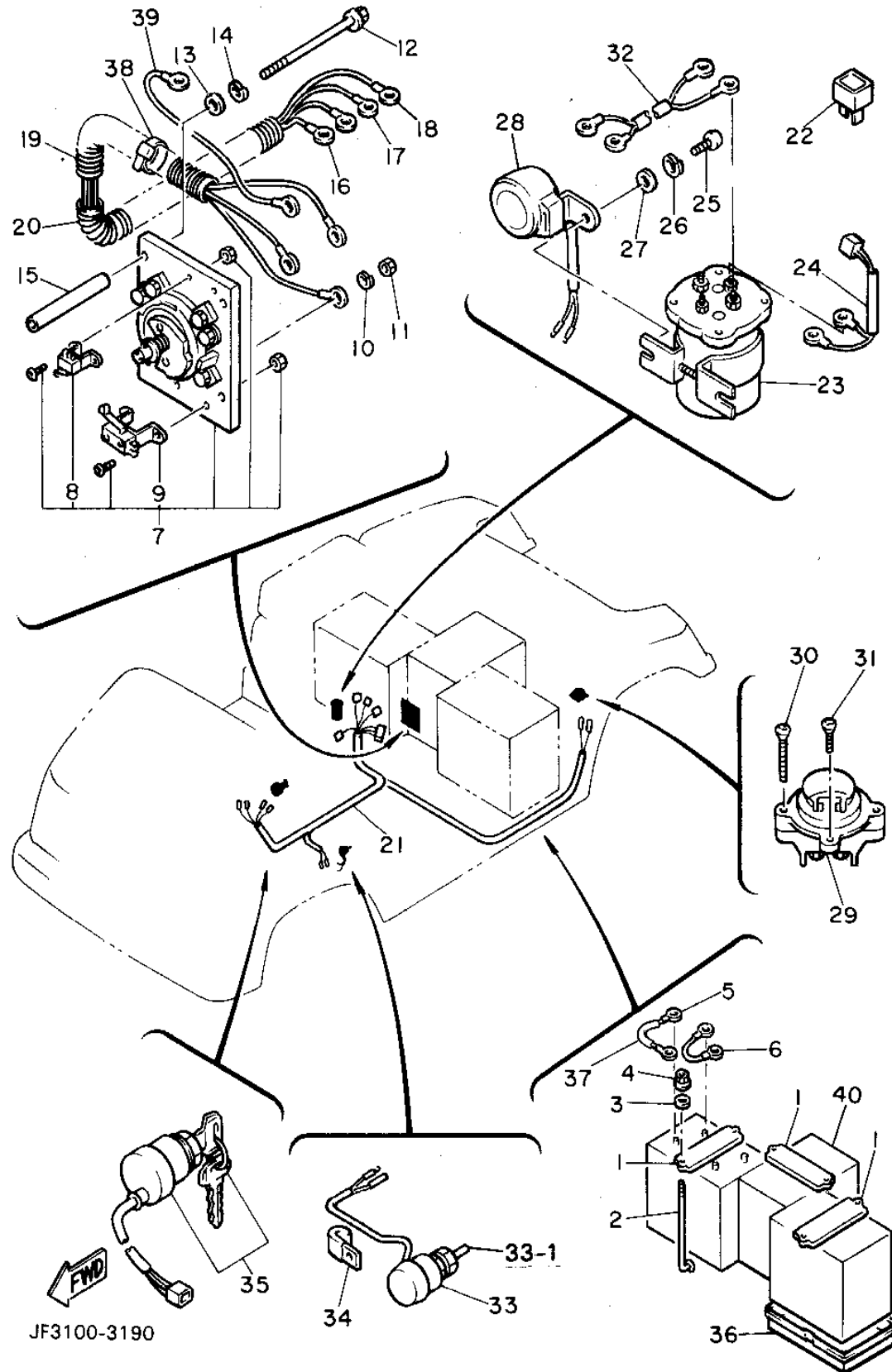


| Ref. No. | Part Number | Description | Qty | Remarks |
|----------|-----------------|-----------------------|-----|---------|
| 1 | JG6-H1890-00-00 | MOTOR ASSEMBLY | 1 | |
| 2 | JG6-H183J-00-00 | . BRACKET, FRONT | 1 | |
| 3 | JG6-H1850-00-00 | . ARMATURE, ASSEMBLY | 1 | |
| 4 | JG6-H1810-10-00 | . STATOR ASSEMBLY | 1 | |
| 5 | JG6-H1160-10-00 | . FIELD COIL | 1 | |
| 6 | JG6-H1817-00-00 | . STATOR | 1 | |
| 7 | JG6-H1894-00-00 | . WASHER | 4 | |
| 8 | JG6-H1843-00-00 | . WASHER 1 | 2 | |
| 9 | J56-H1813-00-00 | . SPRING, BRUSH 1 | 4 | |
| 10 | JG6-H1801-00-00 | . BRUSH ASSEMBLY | 2 | |
| 11 | JG6-H1840-00-00 | . BRUSH HOLDER | 1 | |
| 12 | JG6-H1848-00-00 | . SCREW, BRUSH HOLDER | 2 | |
| 13 | JG6-H1824-00-00 | . WASHER 2 | 2 | |
| 14 | JG6-H1856-00-00 | . RETAINER | 1 | |
| 15 | J56-H1857-00-00 | . RETAINER | 1 | |
| 16 | JG6-H1822-00-00 | . BRACKET, ELECTRIC | 1 | |
| 17 | JG6-H1828-00-00 | . BOLT 2 | 4 | |
| 18 | JG6-H1846-00-00 | . SCREW 1 | 2 | |
| 19 | 97011-08025-00 | BOLT | 1 | |
| 20 | 92902-08100-00 | WASHER, SPRING | 1 | |
| 21 | 92990-08600-00 | WASHER, PLATE | 1 | |
| 22 | 97395-06055-00 | BOLT (97313-06055-00) | 3 | |
| 23 | 92995-06100-00 | WASHER, SPRING | 3 | |
| 24 | 90201-06643-00 | WASHER, PLATE | 3 | |
| 25 | JG6-H1872-00-00 | NUT, SPECIAL | 4 | |



JH7100-1170

ELECTRICAL 1

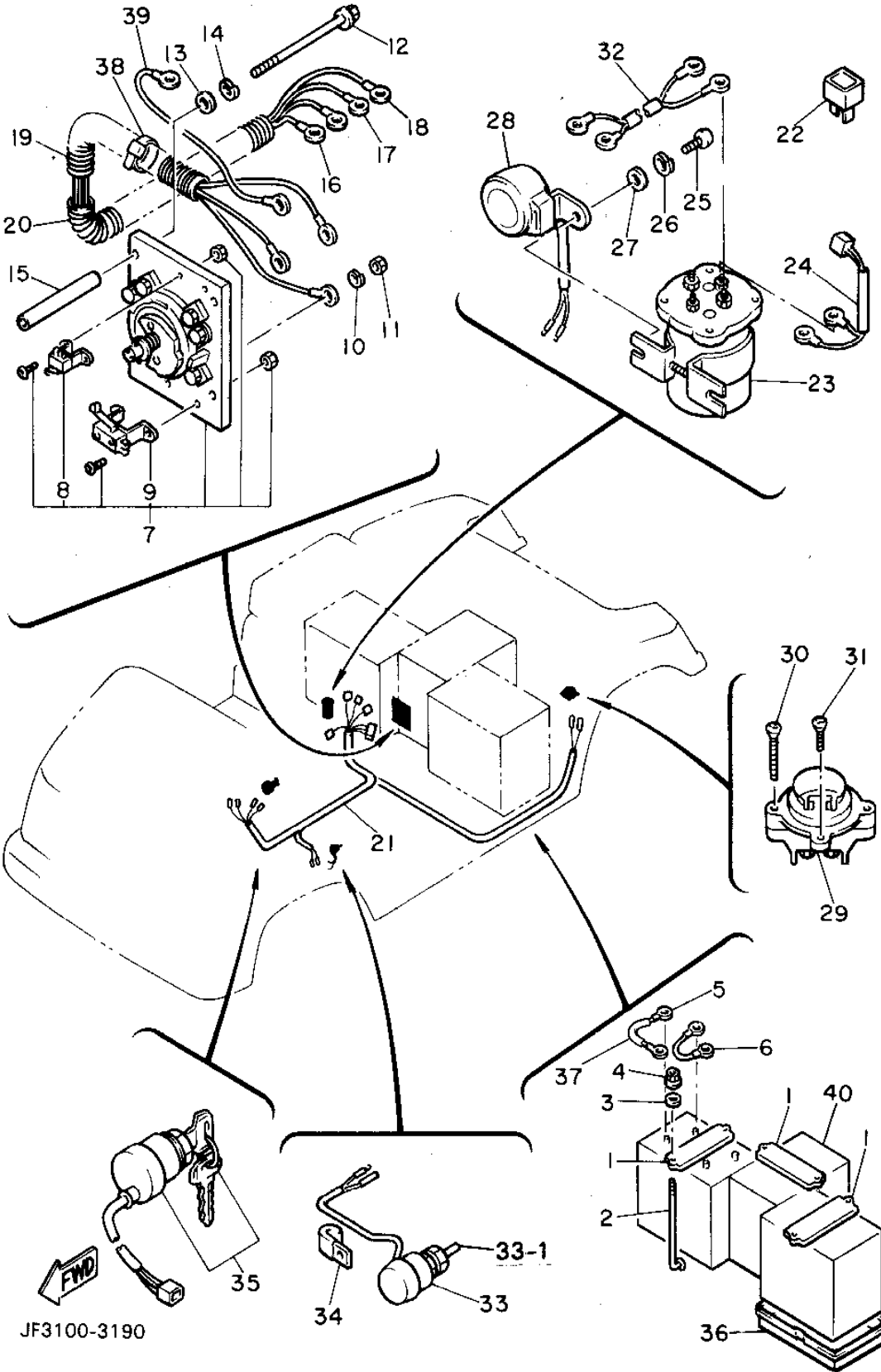


| Ref. No. | Part Number | Description | Qty | Remarks |
|----------|-----------------|---|-----|---------|
| 1 | JF3-H2136-00-00 | PLATE, BATTERY | 3 | |
| 2 | JF3-82133-00-00 | SCREW, FITTING | 6 | |
| 3 | 90201-065G8-00 | WASHER, PLATE | 6 | |
| 4 | 95701-06500-00 | NUT, FLANGE | 6 | |
| 5 | J51-H2115-00-00 | WIRE, PLUS LEAD | 1 | |
| 6 | J51-H2127-00-00 | WIRE, LEAD 2 | 5 | |
| 7 | JF3-82917-01-00 | SWITCH | 1 | |
| 8 | J41-82617-00-00 | . SWITCH | 1 | |
| 9 | J41-82817-00-00 | . MICRO SWITCH | 1 | |
| 10 | 92995-06100-00 | WASHER, SPRING | 4 | |
| 11 | 95380-06600-00 | NUT | 4 | |
| 12 | 97002-06100-00 | BOLT | 4 | |
| 13 | 92990-06200-00 | WASHER | 4 | |
| 14 | 92995-06100-00 | WASHER, SPRING | 4 | |
| 15 | 90387-061W6-00 | COLLAR | 4 | |
| 16 | JF3-H2521-01-00 | WIRE, LEAD | 1 | |
| 17 | JF3-H2531-00-00 | WIRE, LEAD | 1 | |
| 18 | JF3-H6171-00-00 | WIR, LEAD 1 | 1 | |
| 19 | JF3-H7196-00-00 | TUBE 1 | 1 | |
| 20 | JF3-H7197-00-00 | TUBE 2 | 1 | |
| 21 | JF3-82590-11-00 | WIRE HARNESS ASSEMBLY .. | 1 | |
| 22 | J44-81980-60-00 | DIODE | 2 | |
| 23 | JF3-H1950-00-00 | RELAY ASSEMBLY | 1 | |
| 24 | JF2-82105-00-00 | WIRE HARNESS | 1 | |
| 25 | 98502-06016-00 | SCREW, PAN HEAD (98501-06014-00) | 2 | |
| 26 | 92995-06100-00 | WASHER, SPRING | 2 | |
| 27 | 92990-06600-00 | WASHER, PLATE | 2 | |
| 28 | JF3-83383-02-00 | BUZZER | 1 | |

CONTINUED ON NEXT FRAME ►

JF3100-3190

ELECTRICAL 1



| Ref. No. | Part Number | Description | Qty | Remarks |
|----------|---|-----------------------------------|-----|---------------|
| 29 | JF3-86181-00-00 | RECEPTACLE | 1 | |
| 30 | 98706-05035-00 | SCREW, FLAT HEAD | 2 | |
| 31 | 98706-05016-00 | SCREW, FLAT HEAD | 2 | |
| 32 | JF3-82105-01-00 | WIRE HARNESS | 1 | |
| 33 | J41-82550-01-00 | ENGINE STOP SWITCH ASSEMBLY | 1 | |
| 34 | 90465-06038-00 | CLAMP | 1 | |
| 35 | J55-82510-00-00 | MAIN SWITCH ASSEMBLY ... | 1 | |
| 36 | J56-H2123-00-00 | SEAT, BATTERY | 1 | |
| 37 | JF3-82139-00-00 | TUBE | 1 | |
| 38 | 90465-13169-00 | CALMP | 1 | |
| 39 | JF3-H6527-00-00 | WIRE 7 | 1 | |
| 40 | G8E-PARTS-BO-AR UNA-VAILA-BL-EI 0 0 | ASSEMBLY, HARDWARE | | OPTIONAL PART |
| 33-1 | JF2-82532-00-00 | . CAP, RUBBER | 1 | |

JF3100-3190